

# TRANSFER

# DESCRIPTION

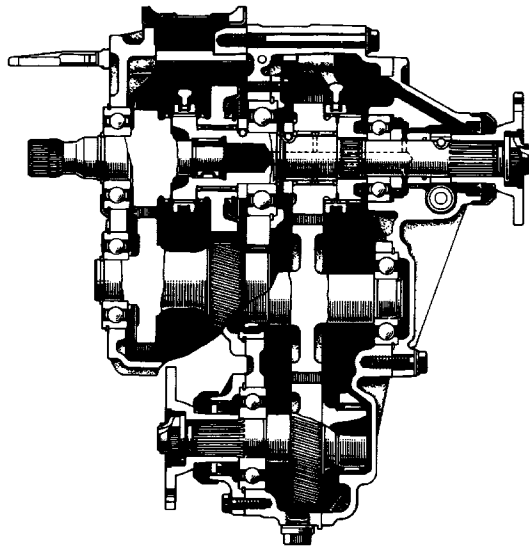
## TRANSFER

The Transfer transmits the drive force from the transmission to the front wheels, switching between 2WD, 4WD (High) and 4WD (Low).

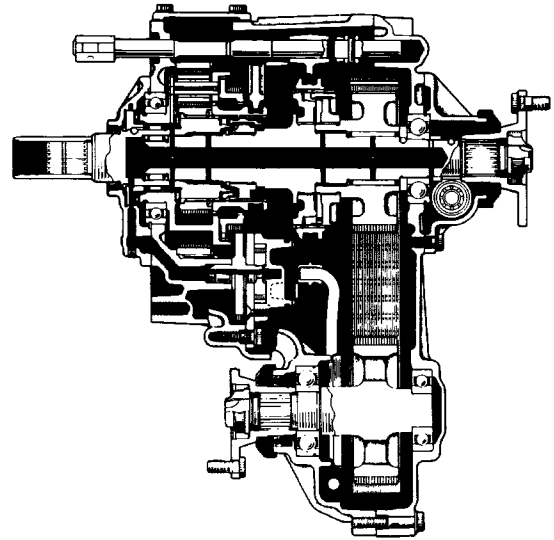
In the Truck the types of gear used during deceleration produce 2 types of transfer.

The specifications and cross-section diagrams are as shown.

**RF1A Type Transfer**



**VF1A Type Transfer**



E9702 TF0637

## Specification

Transfer		RF1A Type Transfer	VF1A Type Transfer	
Items				
Type of Engine		22R-E	22R-E	3VZ-E
Type of Transmission		W56	G58, *A340F	R150F
Type of Reduction Gear		Counter Gear	Planetary Gear	
Gear Ratio	H2 and H4	1.000	1.000	
	L4	2.276	2.566	
Oil Capacity liters (US qts., Imp. qts. )		1.6 (1.7, 1.4)	1.1 (1.2, 1.0)	
Oil Grade		API GL-4 or GL-5	API GL-4 or GL-5	
Oil Viscosity		SAE 75W-90	SAE 75W-90	

Automatic Transmission