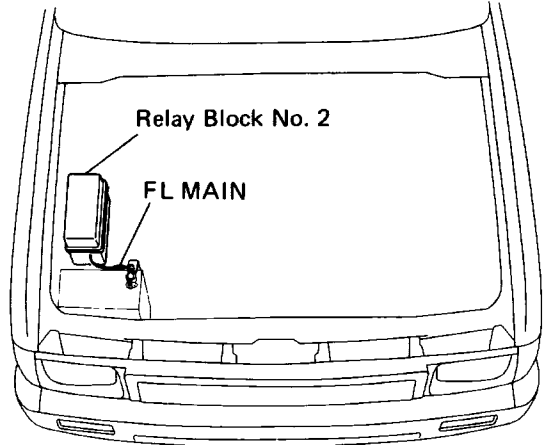
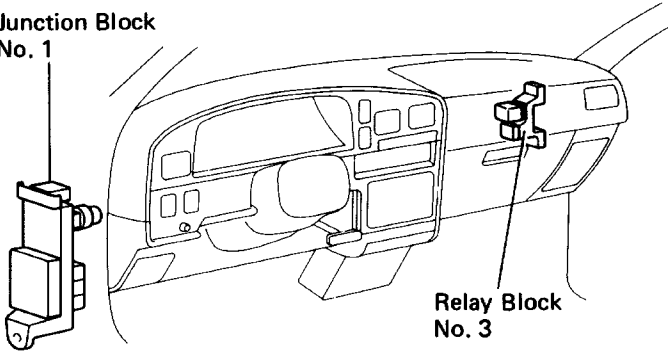
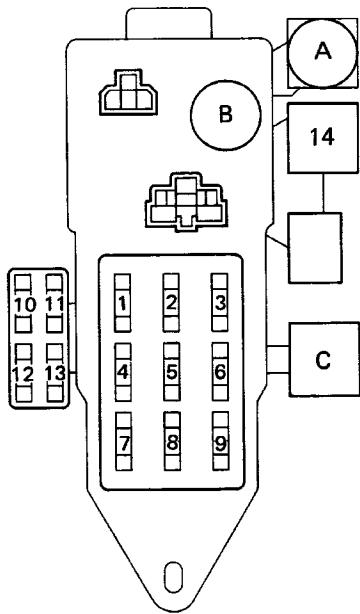


POWER SOURCE Parts Location

Junction Block No. 1



Junction Block No. 1



Fuses

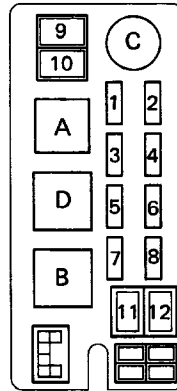
1. ENGINE	10A
2. IGN	7.5A
3. TAIL	15A
4. WIPER	20A
5. GAUGE	10A
6. STOP	15A
7. RADIO	7.5A
8. CIG	15A
9. TURN	10A
10. REAR ANTILOCK	15A
11. -	-
12. ECM-IG	20A
13. -	-
14. POWER	30A

(w/ Power Door Lock and Power Window)

Relays

- A. Back Up Relay (USA)
DRL Relay No. 4 (Canada)
- B. Taillight Control Relay
- C. Horn Relay
- 14. Back Up Relay (CANADA with column A/T)

Relay Block No. 2



Fuses

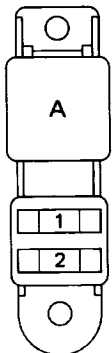
1. CHARGE	7.5A
2. MFI	15A
3. HAZ-HORN	15A
4. DOME	15A
5. (USA) HEAD (RH)	10A
6. (USA) HEAD (LH)	10A
7. -	-
8. -	-
9. GEN (H-fuse)	80A
10. -	-
11. AM1 (H-fuse)	40A or 60A
12. AM2 (H-fuse) (CANADA)	30A

- 1. DRL 7.5A
- 5. HEAD LO (RH) 10A
- 6. HEAD LO (LH) 10A
- 7. HEAD HI (RH) 10A
- 8. HEAD HI (LH) 10A

Relays

- A. Headlight Dimmer Relay (CANADA)
- B. Headlight Control Relay
- C. MFI Relay
- D. Starter Relay

Relay Block No. 3



Fuses

1. A/C	10A
2. HEATER	30A

Relay

- A. Heater Relay

Wiring Diagram

