

# ORD 9 SNL G-740

DEPARTMENT OF THE ARMY SUPPLY MANUAL

LIST OF ALL SERVICE PARTS

OF

TRUCK, UTILITY: 1/4-TON, 4 x 4, M38

**List Of All Service Parts**

**of**

**TRUCK, UTILITY, ¼-TON, 4 x 4, M38**

---

**CONTENTS**

	<i>Page</i>
INTRODUCTION.....	2
NOTES.....	7
GROUP 01 ENGINE.....	11
GROUP 02 CLUTCH.....	49
GROUP 03 FUEL SYSTEM.....	58
GROUP 04 EXHAUST SYSTEM.....	89
GROUP 05 COOLING SYSTEM.....	92
GROUP 06 ELECTRICAL SYSTEM.....	98
GROUP 07 TRANSMISSION.....	184
GROUP 08 TRANSFER.....	195
GROUP 09 PROPELLER SHAFT AND UNIVERSAL JOINTS.....	206
GROUP 10 FRONT AXLE.....	211
GROUP 11 REAR AXLE.....	226
GROUP 12 BRAKES.....	235
GROUP 13 WHEELS, HUBS, AND DRUMS.....	254
GROUP 14 CONTROLS.....	257
GROUP 15 FRAME AND BRACKETS.....	270
GROUP 16 SPRINGS AND SHOCK ABSORBERS.....	278
GROUP 17 FENDERS AND HOOD.....	286
GROUP 18 BODY.....	288
GROUP 20 WINCH AND POWER-TAKE-OFF.....	309
GROUP 21 BUMPERS AND GUARDS.....	323
GROUP 22 MISCELLANEOUS ACCESSORIES.....	326
ALPHABETICAL INDEX.....	341
ORDNANCE AND MANUFACTURERS' PART NUMBER INDEX.....	357
ORDNANCE STOCK NUMBER INDEX.....	394
FEDERAL STOCK NUMBER INDEX.....	405

**MAJOR ITEM**

The Major Item Truck, Utility: ¼-ton, 4x4, M38 is stored, issued, and reviewed under ORD 3 SNL G-1. This item is nonexpendable.

---

**\*This supply manual supersedes ORD 9 SNL G-740, 19 November 1951**



## INTRODUCTION

1. GENERAL. *a.* This supply manual is an illustrated list of all service parts of the M38 1/4 ton 4x4 utility truck arranged according to standard government grouping.

NOTE: Many of the parts listed herein are not stocked for issue. See ORD 7 and ORD 8 sections of this supply manual, for listings of those parts stocked and authorized for issue to the various levels of maintenance. When parts not listed in the ORD 8 are needed, separate requisitions for these parts should be forwarded through normal supply channels with justification therefor.

*b.* This list of all service parts is to be used for identification and storage purposes. Every individual part is not necessarily stored by itself; many parts are stored as authorized assemblies. Such assemblies are indicated herein. The components of such assemblies are listed alphabetically within the group, with the total quantity of each part required for that particular application.

*c.* The Federal stock number column lists the 11-digit Federal stock number (or the 7-digit Federal item identification number) which has been assigned by the Cataloging Division, Office of the Assistant Secretary of Defense (Supply and Logistics). These numbers are for information only and will not be used in connection with supply operations, until such time as implementation of the Federal-Cataloging Program is accomplished through editing action on appropriate supply documents (requisitions, issue slips, excess lists, etc). *However where no Ordnance stock number is listed, the Federal stock number will be used for requisitioning purposes and must be suffixed with the mission assignment code, e.g., (2910-735-1316-G740).*

*d.* Classification codes for Federal Standard stock catalog numbers listed herein are published in ORD 5-2.

*e.* For prices of items contained herein, see the appropriate supply manual of the ORD 5-3 series.

*f.* Additional applications of items in this manual are listed in the ORD 5-5 series.

*g.* An explanation of reference symbols used in this manual is included under NOTES.

*h.* For full information relative to the Ordnance Section of the Department of the Army Supply Manual, including the purposes and

uses, the procedure followed, and the principles employed in its compilation, see ORD 1 and for an index thereof see DA Pam 310-29.

2. MAJOR ITEM DESIGNATION. The major item covered in this manual is designated as a general purpose vehicle as defined in AR 700-105.

3. PUBLICATIONS PERTAINING TO THIS VEHICLE. The following technical manuals pertain to this vehicle and components thereof:

TM 9-804 (TM 9-8012), TM 9-1804A, TM 9-1804B, TM 9-8627, TM 9-1825B, TM 9-1826A, TM 9-8651, TM 9-1827C, and TM 9-1828A.

4. INTERCHANGEABILITY OF COMPONENTS. Several parts and accessories of the M38 engine are interchangeable with corresponding parts of the Willys Model MB. Several parts of the electrical system are interchangeable with other general purpose vehicles with 24-volt electrical systems.

5. SERIAL NUMBER LOCATIONS. Serial numbers for this vehicle are located as follows:

Complete vehicle:

10001 and up.....Stamped on name plate located on instrument panel.

Engine 10001 and up.Stamped on water pump boss located on top of cylinder block, front end of engine.

6. ILLUSTRATIONS. This supply manual contains illustrations to aid the user in locating and identifying parts. These are placed before each group for convenient reference in connection with the text for that group. For each part identified on an illustration, the noun, part number, and group number of the item are given. The prefix to the figure number indicates the group to which it pertains, the suffix indicates the sequence number within that group (e.g., figure 01-5 signifies illustration number 5 for group 01).

7. COMPONENTS OF ASSEMBLIES. Whenever any doubt might exist as to what items are included as components of assemblies, an explanatory note or a complete listing of such components is shown.

8. ATTACHING PARTS. Attaching parts such as bolts, nuts, rivets, washers, etc, are indented immediately under the item which they attach. Whenever two or more similar items having the same attaching parts, such as right and left fenders, are listed, they are placed one immediately following the other and the attaching parts for *both* are covered by a single listing under the second item.

9. DEFINITION OF LOCATIONAL TERMS. The flywheel end of the engine is considered the *rear* and the fan end the *front* of the engine. The *right* and *left* sides of the engine are determined by standing at flywheel and looking toward the fan. All other components are designated *left* and *right* as viewed from the rear of the vehicle facing forward.

10. DESCRIPTION. All items are listed with their complete nomenclature with the exception noted in *a.* below.

*a.* Items appearing within a subgroup that lists components of, and/or items related to only *one* assembly or subassembly automatically assume as part of their official nomenclature the title of the pertinent subgroup. Example: "AXLE, float lever" is an entry in subgroup 0301. The complete nomenclature of the item is "AXLE, carburetor float lever", "CARBURETOR" being the subgroup title.

*b.* Items appearing within a subgroup that lists *more than one* assembly or *more than one* group of related items are listed with their complete nomenclature. Example: "BRACKET, muffler support clamp", is an entry in subgroup 0401. The complete nomenclature of the item is as shown, the title of the subgroup being "MUFFLER AND EXHAUST PIPE".

11. QUANTITY INCORPORATED IN UNIT. The quantity incorporated in unit column lists quantities for the following:

*a.* For vehicle parts which are not indented, the quantity indicates the number of those parts required for the particular use indicated. These quantities do not indicate the total quantities of the parts required for the major item since the part may be used in more than one subgroup.

*b.* For vehicle parts which are indented (attaching parts), the quantity indicates the

number of these parts required to attach the item. These quantities do not indicate the total quantities of the attaching parts required for the major item or subgroup, since the attaching parts may be used in more than one subgroup, and may also be used more than once within a subgroup.

12. HOW TO FIND PARTS. This supply manual is arranged and cross-indexed so that parts can be found easily even though only one of the several identifying factors is known. The various ways in which parts can be located are as follows:

*a.* If only the nomenclature (basic noun-name) is known, refer to the alphabetical index in the back of the manual. This index will give the subgroup in which the part is listed. As the part names are arranged in alphabetical order within this subgroup, the complete listing of the part can readily be found.

*b.* If any one of the numbers — ordnance stock, federal stock, manufacturer's or ordnance part number — is known, refer to the appropriate numerical index in the back of the manual. These indexes will give the subgroup number in which the part can be found by following the procedure given in *a.* above.

*c.* If the shape, use, function, or location of the part is known, refer to illustrations in which the part is likely to appear until a picture of the part is found. The part will be keyed to a listing of the name, part number, and subgroup number, which will permit locating the complete listing of the part.

13. STOCK NUMBERS. The prefix letter and number of the stock number (i.e., G501, G503, G741, etc) usually signifies that the particular part or component was originally coded under the major item designation for that SNL and does *not* mean that the part is used *only* in that major item. All subsequent supply manuals for different items will include the same stock number for this same part.

14. STANDARD GOVERNMENT GROUPING. The parts listed in this manual are arranged by groups and subgroups and alphabetically within these subgroups. Parts are grouped primarily on the basis of their function rather than location. This arrangement facilitates identification and selection of

parts. Refer to paragraph 12, "HOW TO FIND PARTS".

#### 01—ENGINE

0100.1	Power Plant Assembly
0100.2	Engine Assembly
0101	Cylinder Block and Head
0102.1	Crankshaft
0102.2	Main Bearings
0103	Flywheel
0104.1	Pistons and Piston Rings
0104.2	Connecting Rods and Bearings
0105.1	Valves, Springs, and Guides
0105.2	Valve Tappets
0105.3	Camshaft
0105.5	Camshaft Driver and Timing Gear Cover
0106.1	Oil Pump
0106.2	Oil Filter
0106.5	Crankcase Ventilation
0106.6	Oil Lines, Level Gage, and Oil Pan
0108	Manifold and Heat Control

#### 02—CLUTCH

0201	Disk and Pressure Plate
0202	Release and Controls

#### 03—FUEL SYSTEM

0301	Carburetor
0302.1	Fuel and Vacuum Pump
0304.1	Air Cleaner
0304.5	Underwater Vent System
0306	Fuel Tank and Lines
0309	Fuel Filter
0311.1	Primer Pump
0311.3	Primer System—Lines and Fittings
0312	Accelerator, Hand Throttle, and Choke Control

#### 04—EXHAUST SYSTEM

0401	Muffler and Exhaust Pipe
------	--------------------------

#### 05—COOLING SYSTEM

0501	Radiator
0502	Radiator Air Deflectors and Seals
0503	Water Lines and Thermostat
0504	Water Pump
0505	Fan Belt and Pulley

#### 06—ELECTRICAL SYSTEM

0601.1	Generator (24-Volt) (Auto-Lite)
0601.3	Generator (24-Volt) (Delcoy-Remy)
0602	Generator Regulator (24-Volt)
0603	Starter
0604.1	Distributor
0605	Ignition Coil, Wiring, and Spark Plugs
0607	Instrument Panel
0608	Miscellaneous Switches and Circuit Breakers
0609.1	Head, Tail, Marker Lights and Lamp- Units
0610	Sending Units

#### 06—ELECTRICAL SYSTEM—Continued

0611	Horn
0612	Batteries, Hangers, Boxes, and Cables
0613.1	Chassis Wiring
0615	Radio Suppression
0617	Trailer Couplings

#### 07—TRANSMISSION

0700	Transmission Assembly
0701	Case
0702.1	Input Drive Gear, Bearing, and Cover
0702.3	Main Shaft, Gears, Bearings, and Synchronizer
0702.5	Countershaft, Idler Shaft, Gears, and Spacers
0704	Gear Shift Lever, Shafts, and Forks

#### 08—TRANSFER

0800	Transfer Assembly
0801	Case and Covers
0802.1	Input Shaft
0802.3	Countershaft
0802.5	Front Axle Output Shaft
0802.7	Rear Axle Output Shaft
0804	Shifter Shafts, Forks, and Gear Shift Hand Levers

#### 09—PROPELLER SHAFT AND UNIVERSAL JOINTS

0900	Propeller Shaft and Universal Joints
------	--------------------------------------

#### 10—FRONT AXLE

1000	Front Axle Assembly
1001	Housing, Cover, and Plugs
1002	Differential
1004	Steering Knuckles
1005.5	Ventilation
1006	Front Axle Shaft and Universal Joints

#### 11—REAR AXLE

1100	Rear Axle Assembly
1101	Housing and Cover
1102	Differential
1104.1	Rear Axle Shaft
1105.5	Ventilation

#### 12—BRAKES

1201	Hand Brake
1202	Service Brake Assembly
1204.1	Master Cylinder
1204.3	Wheel Cylinders
1204.5	Lines and Fittings
1206	Pedal and Connections

#### 13—WHEELS, HUBS, AND DRUMS

1311	Wheels, Hubs, and Drums
1313	Tires and Tubes

#### 14—CONTROLS

1401	Steering Controls
------	-------------------

#### 15—FRAME AND BRACKETS

1501	Frame Assembly and Brackets
1503	Pintle and Towing Attachments
1504	Spare Wheel Carrier

**16—SPRINGS AND SHOCK ABSORBERS**

- 1601.1 Front Springs
- 1601.3 Rear Springs
- 1604.1 Shock Absorbers

**17—FENDERS AND HOOD**

- 1701 Fenders
- 1703 Hood

**18—BODY**

- 1800 Body Assembly
- 1801 Body Mounting Parts
- 1803.1 Tailgate
- 1804.1 Body Panels, Pillars, Sills, and Moulding
- 1804.2 Body Cowl
- 1804.3 Windshield, Ventilator, and Glass
- 1805 Body Floors and Seals
- 1806 Seats, Crash Pads, Trim, and Upholstery
- 1808 Stowage Racks, Boxes, and Straps

**20—WINCH AND POWER-TAKE-OFF**

- 2001.1 Winch Assembly and Drum
- 2001.3 Winch Drive Shaft
- 2001.5 Winch Controls
- 2002.1 Power-Take-Off Assembly
- 2002.5 Power-Take-Off Controls

**21—BUMPERS AND GUARDS**

- 2101 Bumpers, Brackets, Guards, and Protective Devices

**22—MISCELLANEOUS ACCESSORIES**

- 2201 Canvas Items, Bows, and Curtains
- 2202 Mirrors, Reflectors, and Windshield Wipers
- 2208.1 Speedometer
- 2210 Vehicular Data Plates

15. LIST OF ABBREVIATIONS. The following is a list of abbreviations appearing in this manual:

- adj ..... adjust, adjustable
- al ..... aluminum
- alloy-S ..... alloy steel
- amp ..... ampere
- amp-hr ..... ampere hour
- anld ..... annealed
- aprx ..... approximate
- AS ..... American Standard
- asb ..... asbestos
- assy ..... assembly
- AWG ..... American Wire Gage
- b-hd ..... button head
- blk-enmld ..... black enameled
- blunt-pt ..... blunt point
- br ..... brass
- brg ..... bearing
- bz ..... bronze
- cd-pltd ..... cadmium plated
- CI ..... cast iron

- ck ..... countersunk
- cp ..... candlepower
- cop ..... copper
- corr-res-S ..... corrosion resistant steel
- cup-pt ..... cup-point
- dbld ..... double
- dbld-tun-fil ..... double tungsten filament
- deg ..... degree (angle)
- diam ..... diameter
- dld-hd ..... drilled head
- ea ..... each
- elec ..... electric, electrical
- ext-teeth ..... external teeth (lockwasher)
- fil-hd ..... fillister head
- fin ..... finish, finishing
- fl-hd ..... flat head
- ft ..... foot, feet
- frt ..... front
- ga ..... gage
- gimlet-pt ..... gimlet point
- glvd ..... galvanized
- hd ..... head
- hdls ..... headless
- header-pt ..... header point
- hex ..... hexagonal
- hex-hd ..... hexagon head
- hex-lt ..... hexagon light
- hv ..... heavy
- hyd ..... hydraulic
- ID ..... inside diameter (dimension)
- in. .... inch, inches
- incand ..... incandescent
- ins ..... insulated, insulating, insulator
- instr ..... instrument
- int-teeth ..... internal teeth (lockwasher)
- ld-ctd ..... lead coated
- lg ..... long
- lgh ..... length
- LH ..... left hand
- lkg ..... locking
- lt ..... light (weight)
- M ..... Model
- mach ..... machine
- med ..... medium
- MI ..... malleable iron
- MIL-STD ..... Military Standard
- min ..... minimum
- mm ..... millimeter
- mtg ..... mounting
- NC ..... National Coarse Thread
- NEF ..... National Extra Fine Thread
- NF ..... National Fine Thread
- ni-S ..... nickel steel
- No. .... number
- NPT ..... National Taper Pipe Thread
- NPTF ..... National Taper Pipe Thread Fine
- NS ..... National Form Thread, Special Pitch
- OD ..... outside diameter
- oval-hd ..... oval-head
- pan-hd ..... pan head

phos-ctd ..... phosphate coated  
 pl ..... plain  
 pltd ..... plated  
 psi ..... pounds per square inch  
 pt ..... point  
 rad ..... radius, radial  
 rd ..... round  
 rd-hd ..... round head  
 reg ..... regular  
 reqd ..... required  
 RH ..... right hand  
 ru ..... rubber  
 rvrs ..... reversible  
 S ..... steel  
 SAE ..... Society of Automotive Engineers  
 sec ..... section  
 s-fin ..... semifinished  
 sgle ..... single  
 sgle-cond ..... single conductor  
 sgle-hd ..... single head  
 sgle-tun-fil ..... single tungsten filament  
 sh-met-thds ..... sheet metal threads  
 sh-met ..... sheet metal  
 sltd ..... slotted  
 socket-hd ..... socket-head  
 sp ..... special  
 spec ..... specification  
 sq ..... square  
 sq-drive ..... square drive  
 sq-hd ..... square head  
 sq-nk ..... square neck  
 sq-nut ..... square nut  
 sq-socket ..... square socket  
 SR ..... single row  
 std ..... standard  
 stght ..... straight  
 stk ..... stock  
 syn-ru ..... synthetic rubber  
 T ..... teeth  
 taper-pt ..... taper point  
 thd-(s) ..... thread, threaded, threads  
 thk ..... thick  
 tnd ..... tinned  
 tn-fin ..... tinned finished  
 UNC ..... United National Coarse  
 UNF ..... United National Fine  
 unfin ..... unfinished  
 US std ..... United States standard  
 v ..... volt  
 w/ ..... with  
 w/o ..... without  
 wtrprf ..... waterproofed  
 x ..... by (as in dimensions only, as 2 x 4)  
 zn ..... zinc  
 zn-dichromate ..... zinc dichromate  
 zn-pltd ..... zinc plated

<i>Symbol</i>	<i>Manufacturer</i>
AB	Aetna Ball and Roller Bearing Mfg Co
ABF	Auburn Mfg Co
AC	AC Spark Plug Div (General Motors Corp)
ACD	American Chain Co (Div American Chain & Cable Co)
AE	Appleton Electric Co
AHC	Anchor Coupling Co
AL	Electric Auto-Lite Co, The
AN	Ainsworth Mfg Corp
ANB	Anderson Brass Company
AOD	Air-Loc Mfg Co
APB	Appliance Mfg Co
AX	Aerovax Corp
B&B	Borg & Beck Div (Borg-Warner Corp)
BX	Bendix Products Div (Bendix Aviation Corp)
CA	Columbus Auto Parts Co, The
CAR	Carter Carburetor Corp
CAS	Cascade Rubber, Inc
CC	Chrysler Corp
CCL	Corbin Cabinet Lock Co
CCS	Chicago Screw Co
CED	Cannon Electric Development Co
CM	Chicago Rawhide Mfg Co
CP	Champion Spark Plug Co
CHV	Chace Co, W. M.
CU	Cuno Engineering Corp
DGM	Detroit Gasket & Mfg Co
DM	Douglas Mfg Co, H. A.
DN	Donaldson Co, Inc
DR	Delco-Remy Div (General Motors Corp)
DV	Dole Valve Co, The
EAT	Eaton Mfg Co
EN	Elastic Stop Nut Corp
FS	Smith Mfg Co Inc, F. A.
GE	General Electric Co
GKS	Great Lakes Supply Corp
GL	Guide Lamp Co
GPC	Garlock Packing Co, The
HAC	Hall Lamp Co, C. M.
HLH	Holland Hitch Co
HMP	Hamilton Metal Products Co
HP	Harris Products Co
HY	Hyatt Bearings Div (General Motors Corp)
IL	Industrial Lamp Corp
IM	Illinois Iron & Bolt Co
KHW	Kelsey Hayes Wheel Co
LO	Wagner Electric Corp
MAE	Monroe Auto Equipment Co
MAT	Mather Spring Co
MDR	McCord Corp
MRC	Marlin-Rockwell Corp
MSP	Midland Steel Products Co, The
N&J	North & Judd Mfg Co
ND	New Departure Div (General Motors Corp)
NMP	National Machine Products Co
OKS	Oakes Products Div (Houdaille-Hershey Corp)
ONB	Ohio Nut & Bolt Co
P	Picatinney Arsenal
PC	Packard Electric Div (General Motors Corp)

16. LIST OF MANUFACTURERS' SYMBOLS. The following is a list of symbols preceding the manufacturers' part numbers in this manual:

<i>Symbol</i>	<i>Manufacturer</i>
PEE	Presstite Engineering Co
PG	Pierce Governor Co
RG	Ross Gear & Tool Co
RMC	Rich Mfg Co
RWM	Ramsey Winch Co
SCI	Scintilla Magneto Div (Bendix Aviation Corp)
SDH	Standard Thompson Corp
SEPC	Sealed Power Corp
SF	Sterling Siren Fire Alarm Co Inc, The
SHA	Shakespeare Products Co
SMA	Smith Corp, A. O.
SP	Dana Corp
SPR	Sprague Electric Co
SPT	Spencer Thermostat Co
SPW	Sparks-Withington Co, The
SRM	Soreng Mfg Corp
SZ	Schwitzer Cummins Co
TI	Titeflex, Inc
TIM	Timken Roller Bearing Co, The
TNP	Tinnerman Products, Inc
TR	Torrington Co, The
TRI	Trico Products Corp
UC	United Carr Fastener Corp
USL	Auto-Lite Battery Corp
VC	Van Cleaf Brothers

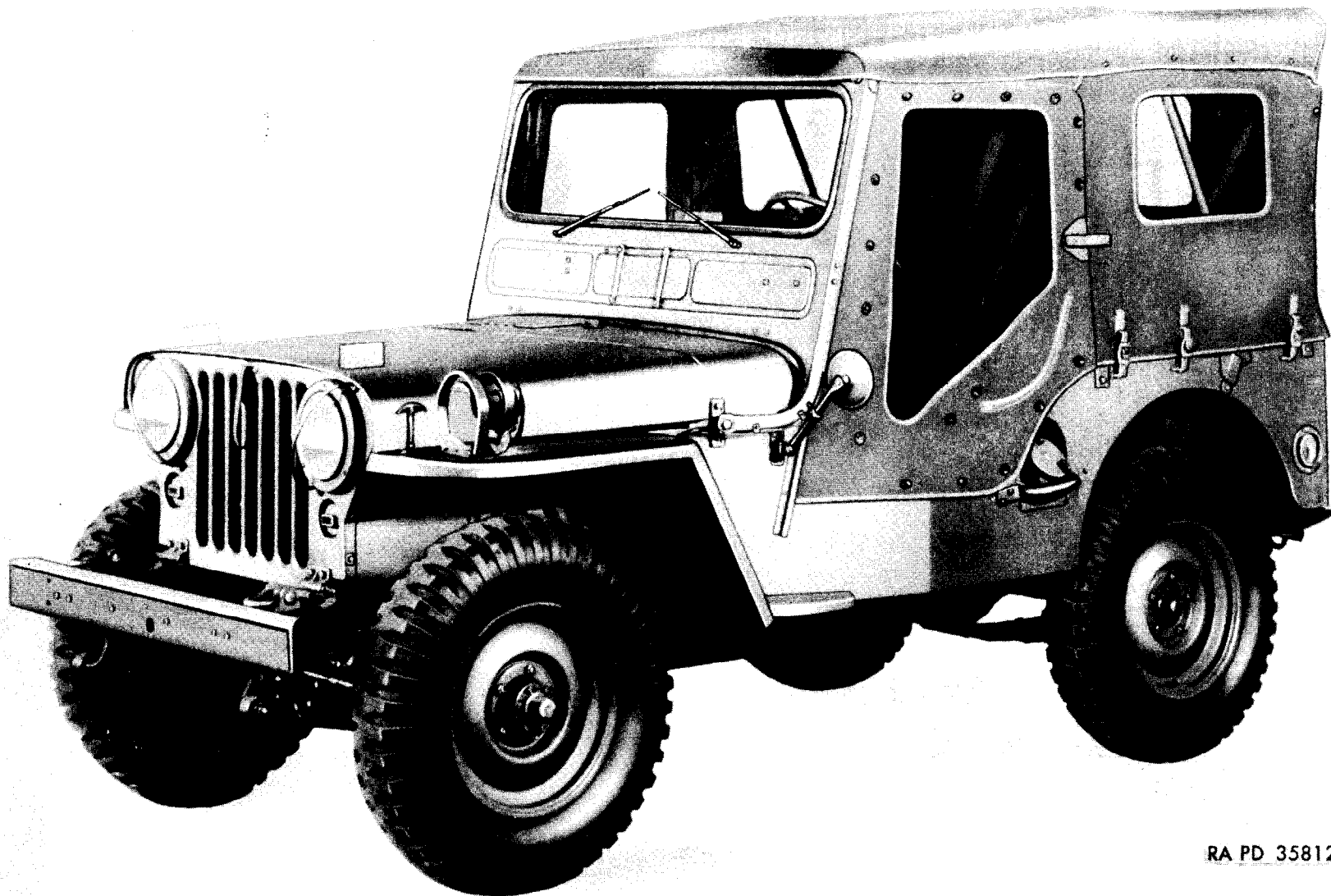
<i>Symbol</i>	<i>Manufacturer</i>
VG	Victor Mfg & Gasket Co
WB	Willard Storage Battery Co
WER	Wagner Mfg Co, E. R.
WG	Warner Gear Div (Borg-Warner Corp)
WH	Weatherhead Co, The
WIL	Eaton Mfg Co
WO	Willys-Overland Motors, Inc
ZP	Skinner Purifier Div (Bendix Aviation Corp)

17. SUGGESTIONS AND RECOMMENDATIONS. Notice of discrepancies and recommendations should be forwarded through command channels to the Chief of Ordnance, Department of the Army, Washington 25, D.C., ATTENTION: ORDFM-Pub.

#### NOTES

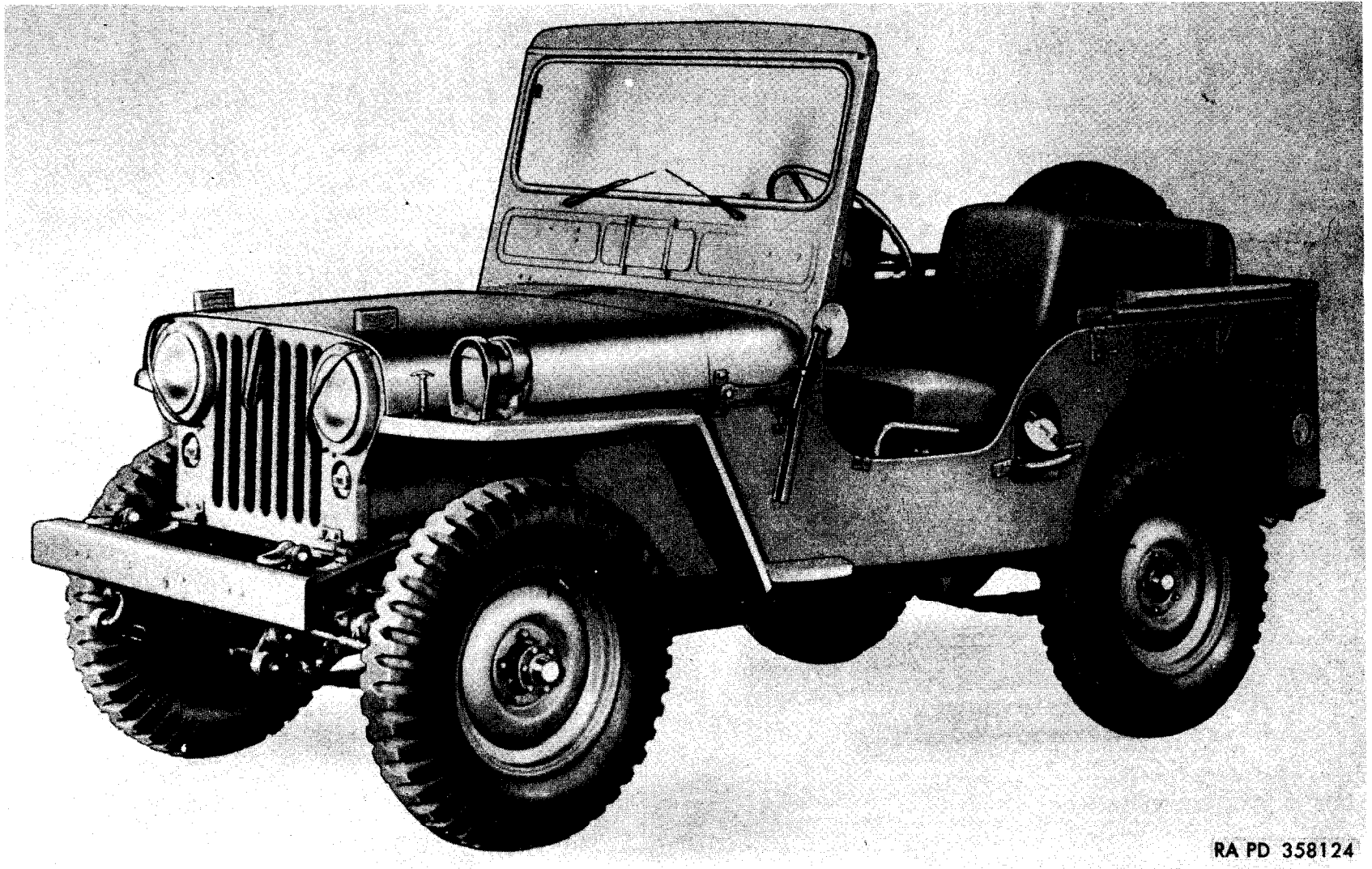
##### Explanation of Symbols

- H1 SNL symbols such as H1, H2, etc, refer to the SNL in which the item is reviewed.
- ‡ As required.



RA PD 358125

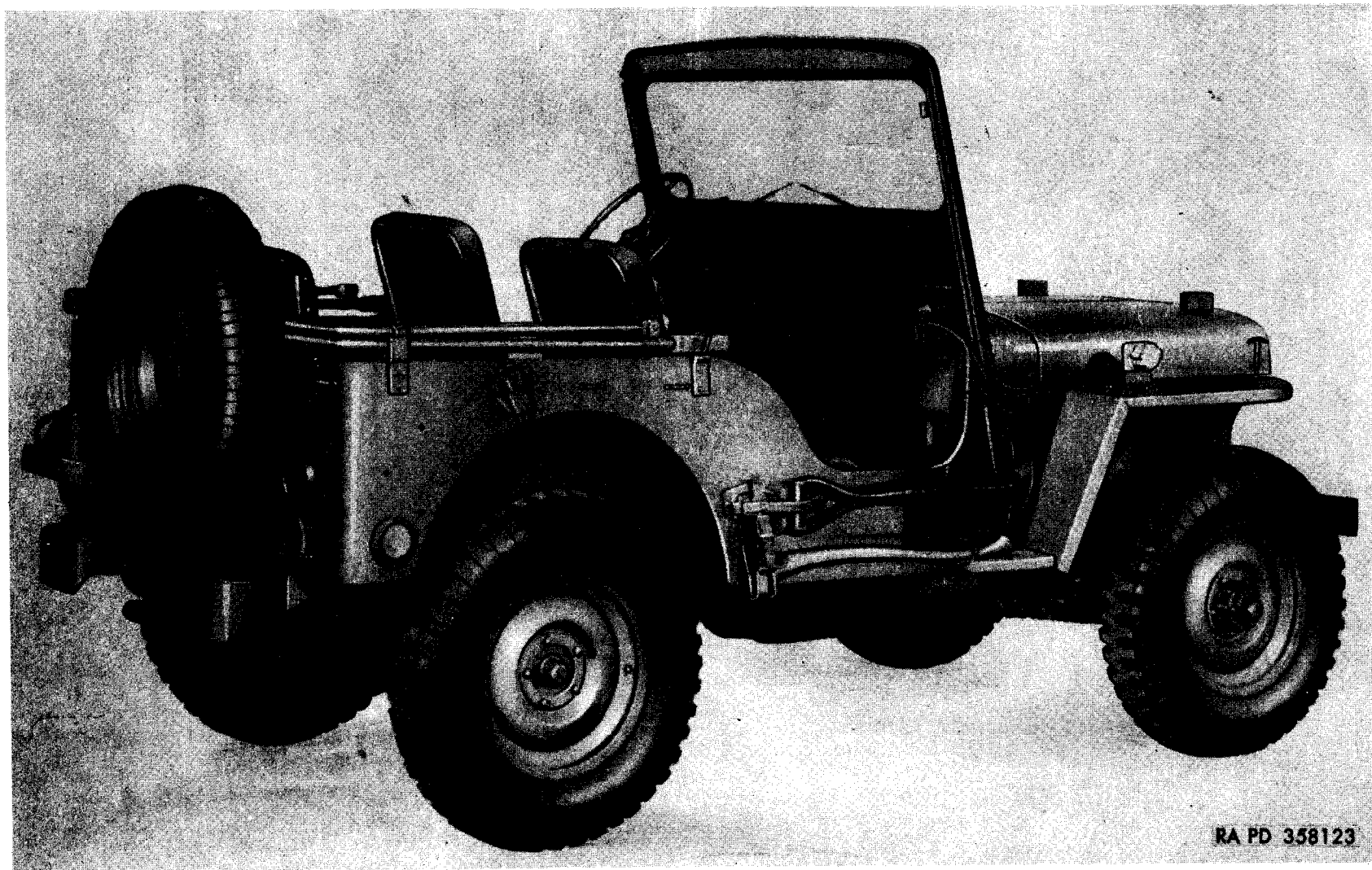
Figure 1. Truck, 1/4 ton, 4 x 4—left front view, top up



RA PD 358124

Figure 2. Truck, 1/4 ton, 4 x 4—left front view, top down





RA PD 358123

*Figure 3. Truck, 1/4 ton, 4 x 4—right rear view*

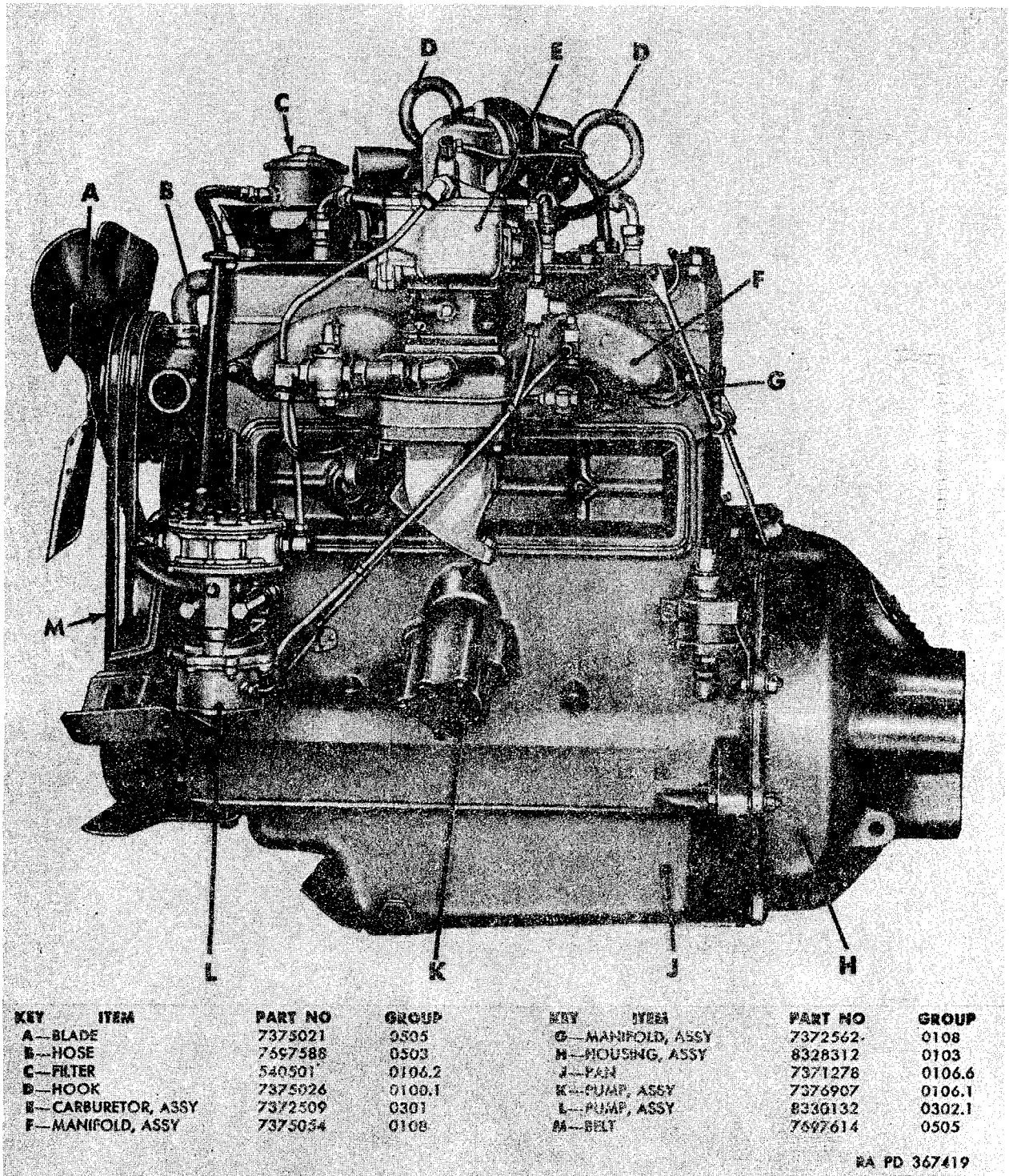
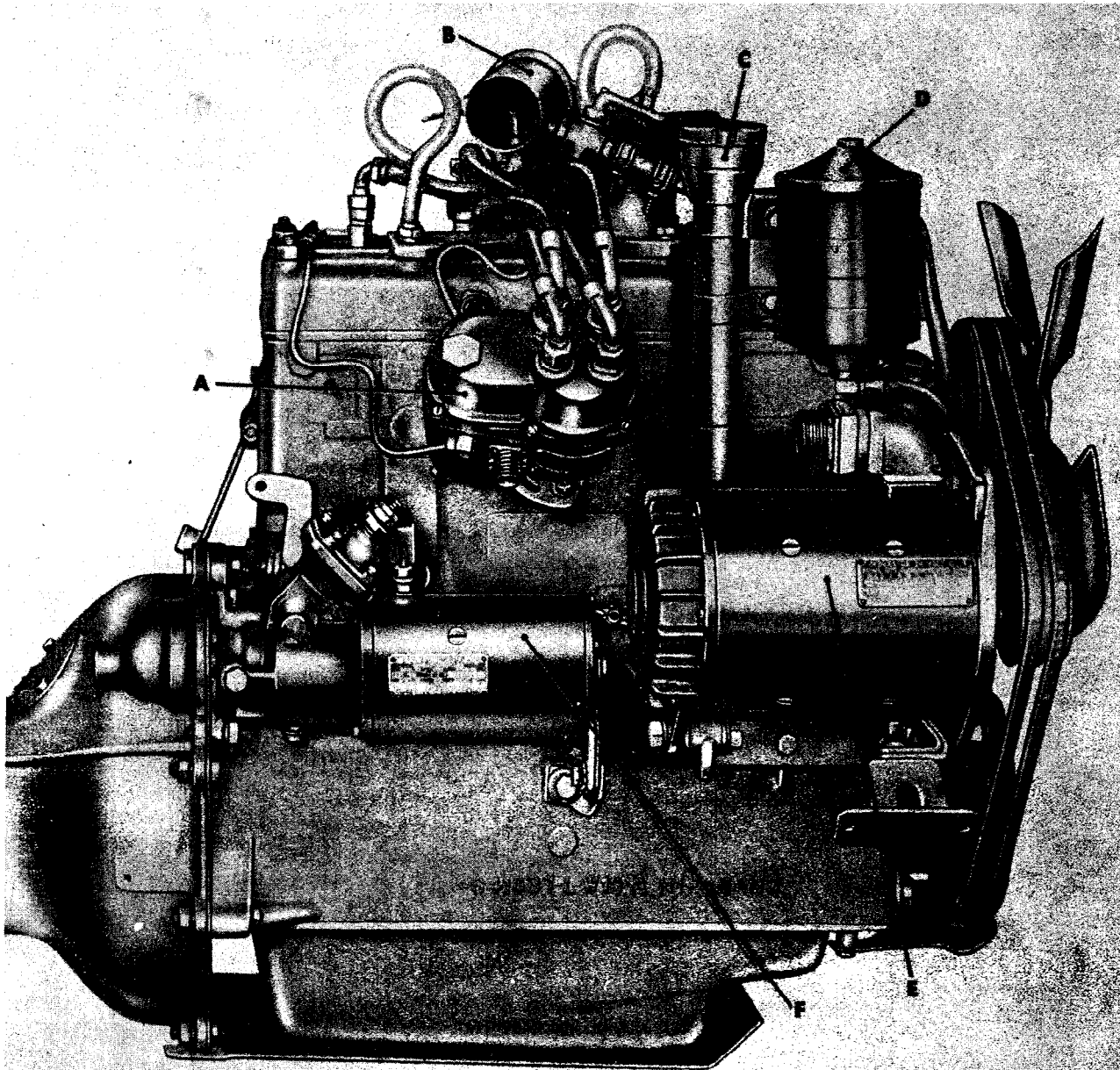


Figure 01-1. Engine, assy (8328044)—left side view

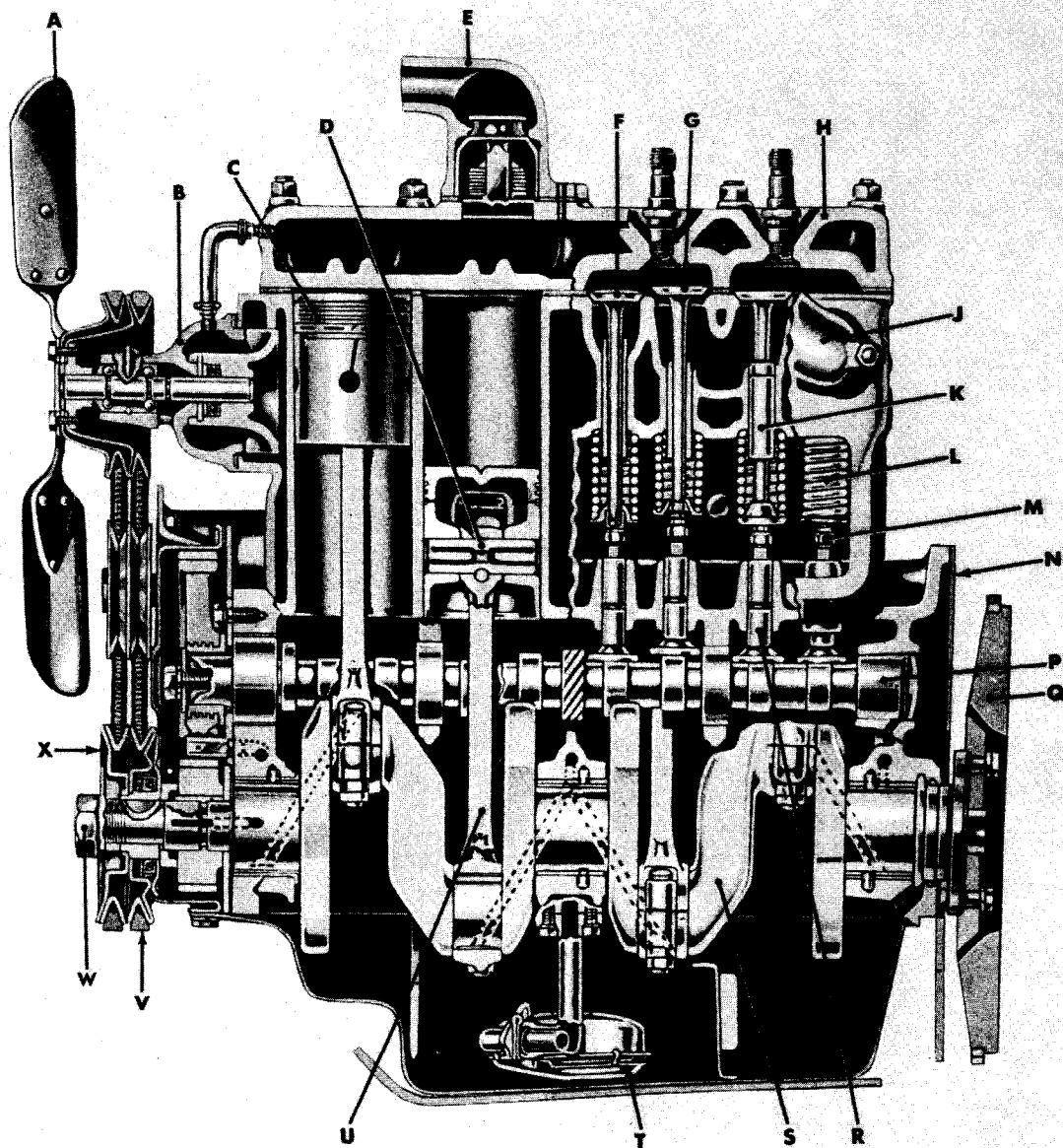


KEY	ITEM	PART NO	GROUP
A	DISTRIBUTOR, ASSY	7358569	0604.1
B	PIPE, ASSY	7375130	0304.5
C	PIPE	7375055	0106.5
D	FILTER, ASSY	540501	0106.2
E	GENERATOR, ASSY	8673350	0601.1
F	STARTER, ASSY	8328132	0603

RA PD 368003

Figure 01-2. Engine, assy (8328044)—right side view

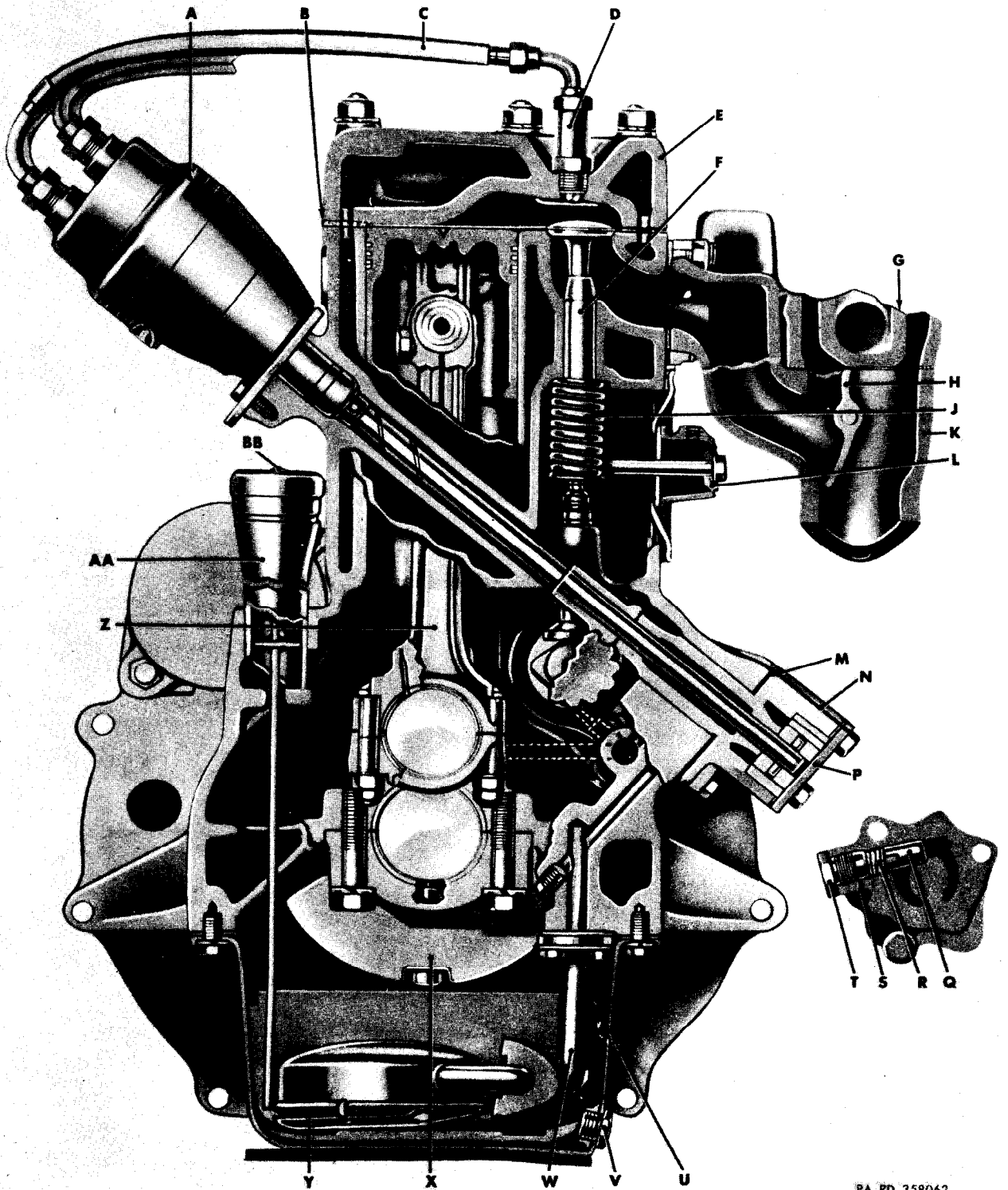




KEY ITEM	PART NO	GROUP
A—BLADE	7375021	0505
B—PUMP	7372806	0504
C—PISTON	7372873	0104.1
D—PIN	7371144	0104.1
E—HOUSING	7371377	0503
F—VALVE	7375035	0105.1
G—VALVE	7036579	0105.1
H—HEAD	7372556	0101
J—MANIFOLD, ASSY	7375054	0108
K—GUIDE	WO-119136	0105.1
L—SPRING	7371235	0105.1
M—SCREW	7371258	0105.2
N—PLATE	8328047	0103
P—CAMSHAFT	7741418	0105.3
Q—FLYWHEEL, ASSY	WO-802924	0103
R—TAPPET	7372585	0105.2
S—CRANKSHAFT, ASSY	7744473	0102.1
T—STRAINER	7036578	0106.6
U—ROD	8677015	0104.2
V—BELT	7697614	0505
W—NUT	7697864	0102.1
X—PULLEY	7372558	0102.1

RA PD 371022

Figure 01-3. Engine, assy—longitudinal section



RA PD 358062

Figure 01-4. Engine, assy—end sectional view—exploded view

<i>Key</i>	<i>Item</i>	<i>Part No.</i>	<i>Group</i>	<i>Key</i>	<i>Item</i>	<i>Part No.</i>	<i>Group</i>
A	—DISTRIBUTOR, ASSY.....	7358569	0604.1	P	—COVER.....	7744332	0106.1
B	—GASKET.....	7741412	0101	Q	—VALVE.....	7371275	0106.1
C	—CABLE.....	7528174	0605	R	—SPRING.....	8331246	0106.1
D	—PLUG.....	7524258	0605	S	—SHIM.....	7371268	0106.1
E	—HEAD.....	7372556	0101	T	—RETAINER.....	7371271	0106.1
F	—GUIDE.....	8328126	0105.1	U	—PAN.....	7371278	0106.6
G	—MANIFOLD, ASSY.....	7372562	0108	V	—PLUG.....	7388074	0106.6
H	—VALVE.....	7371393	0108	W	—SUPPORT.....	7371264	0106.6
J	—SPRING.....	7371235	0105.1	X	—CRANKSHAFT, ASSY.....	7744473	0102.1
K	—MANIFOLD, ASSY.....	7375054	0108	Y	—STRAINER.....	7036578	0106.6
L	—BODY.....	7371286	0106.5	Z	—ROD.....	7743752	0104.2
M	—GASKET.....	7372587	0106.1	AA	—PIPE.....	7375055	0106.5
N	—PUMP.....	7376907	0106.1	BB	—GAGE.....	7047950	0106.6

*Figure 01-4. Engine, assy—end sectional view—exploded view—legend*

KEY	ITEM	PART NO	GROUP
A	NUT	7697864	0102.1
B	KEY	124549	0102.1
C	PULLEY	7372558	0102.1
D	COVER	7372576	0105.5
E	NUT	120369	0105.5
F	WASHER	120382	0105.5
G	SEAL	7375028	0102.1
H	SLINGER	7371161	0102.1
J	FITTING	7372557	0106.6
K	GASKET	7371159	0105.5
L	PLATE	7372578	0105.5
M	BOLT	122119	0105.5
N	WASHER	138489	0105.5
P	BOLT	123520	0105.5
Q	BOLT	120647	0105.5
R	NUT	120368	0100.2

KEY	ITEM	PART NO	GROUP
S	GASKET	7741427	0105.5
T	BLOCK, ASSY	WO-804937	0101
U	CUSHION	7372550	0100.2
V	GASKET	8328049	0103
W	PLATE, ASSY	8328047	0103
X	WASHER	8332679	0103
Y	BOLT	120213	0103
Z	GASKET	8328048	0103
AA	HOUSING, ASSY	8328312	0103
BB	BOLT	124128	0103
CC	GASKET	8328313	0103
DD	COVER	8328310	0103
EE	BOLT, ASSY	9409106	0103
FF	BOLT	120640	0103
GG	BOLT	8328311	0103
HH	TEE	143481	0103

INCHES

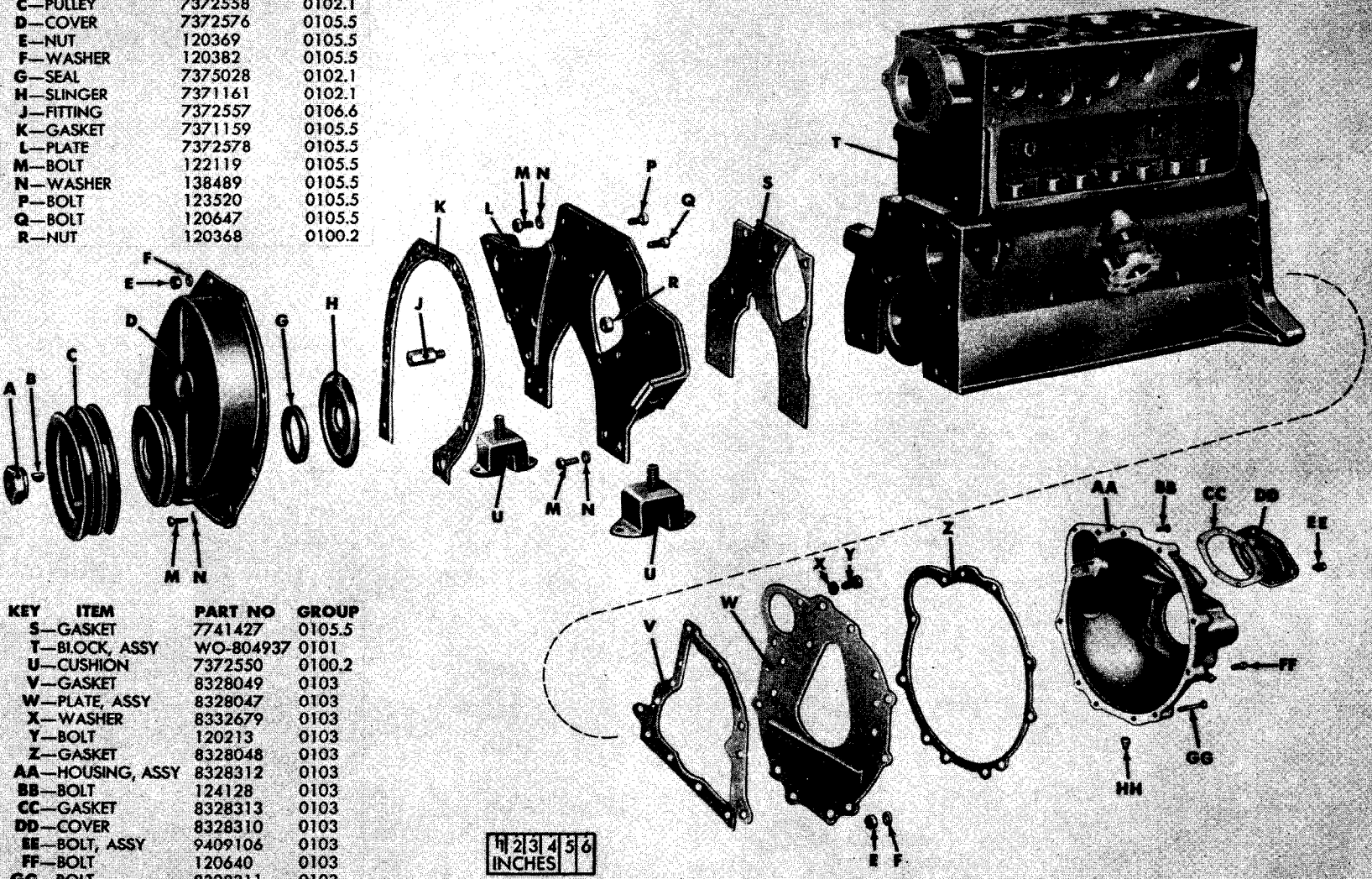
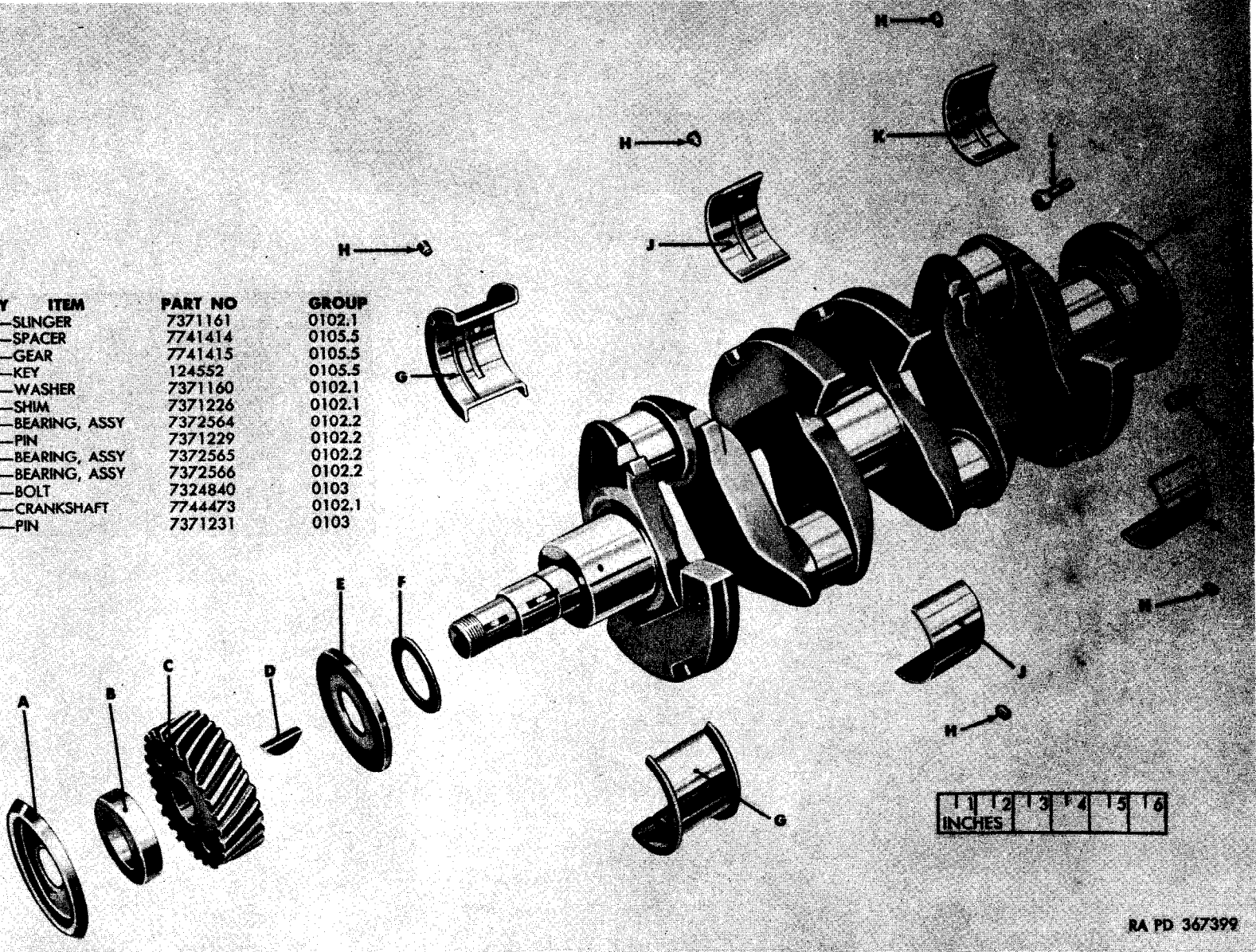


Figure 01-5. Cylinder block, flywheel housing and gear cover—exploded view

KEY	ITEM	PART NO	GROUP
A	—SLINGER	7371161	0102.1
B	—SPACER	7741414	0105.5
C	—GEAR	7741415	0105.5
D	—KEY	124552	0105.5
E	—WASHER	7371160	0102.1
F	—SHIM	7371226	0102.1
G	—BEARING, ASSY	7372564	0102.2
H	—PIN	7371229	0102.2
J	—BEARING, ASSY	7372565	0102.2
K	—BEARING, ASSY	7372566	0102.2
L	—BOLT	7324840	0103
M	—CRANKSHAFT	7744473	0102.1
N	—PIN	7371231	0103



RA PD 367399

Figure 01-6. Crankshaft and bearings—exploded view



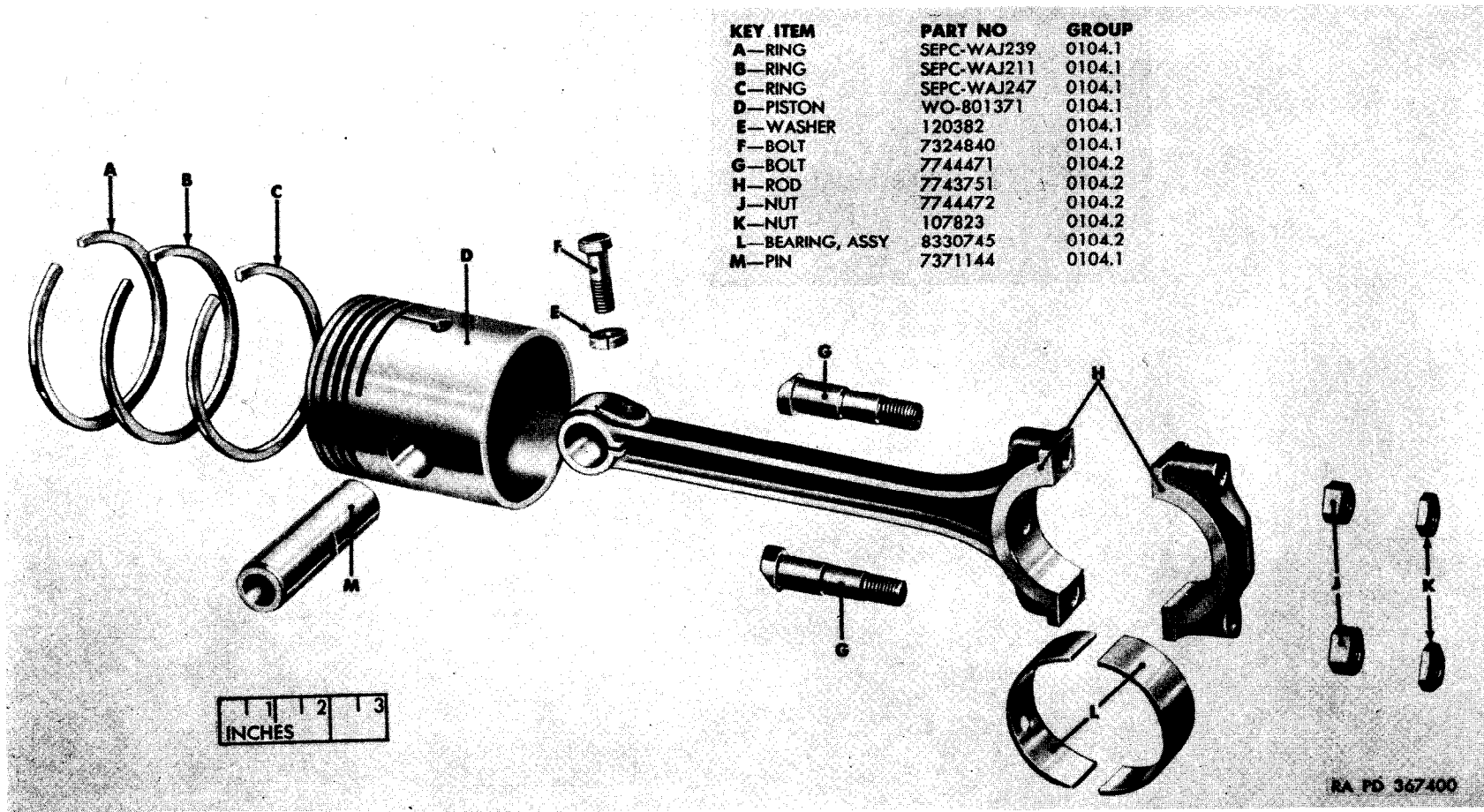


Figure 01-7. Piston and connecting rod—exploded view

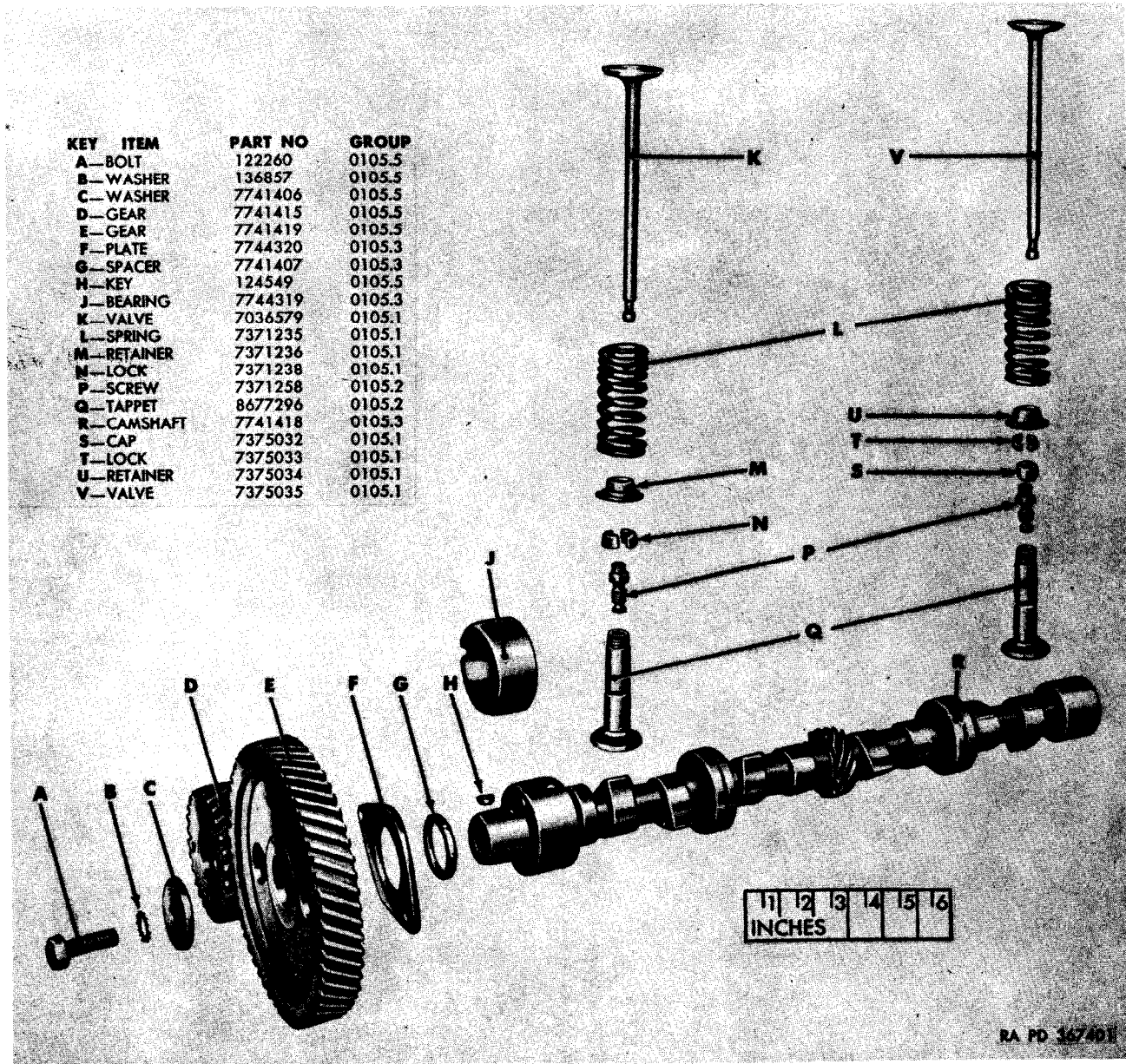


Figure 01-8. Camshaft, timing gear and valves—exploded view

RA PD 167401

KEY ITEM	PART NO
A—SCREW	8673955
B—COVER	7744332
C—GASKET	7744324
D—ROTOR	8673952
E—ROTOR	EAT-ER4642J
F—PIN	EAT-ER90419-11/16
G—ROTOR	8673956
H—BODY	EAT-ER3675
J—GEAR	7744333
K—GASKET	7372587
L—PIN	141138
M—RETAINER	7371271
N—GASKET	5340173
P—SPRING	8331246
Q—VALVE	7371275

NOTE ALL PARTS LISTED ARE IN GROUP  
0106.1  
ITEM K IS NOT PART OF ASSY 7376907

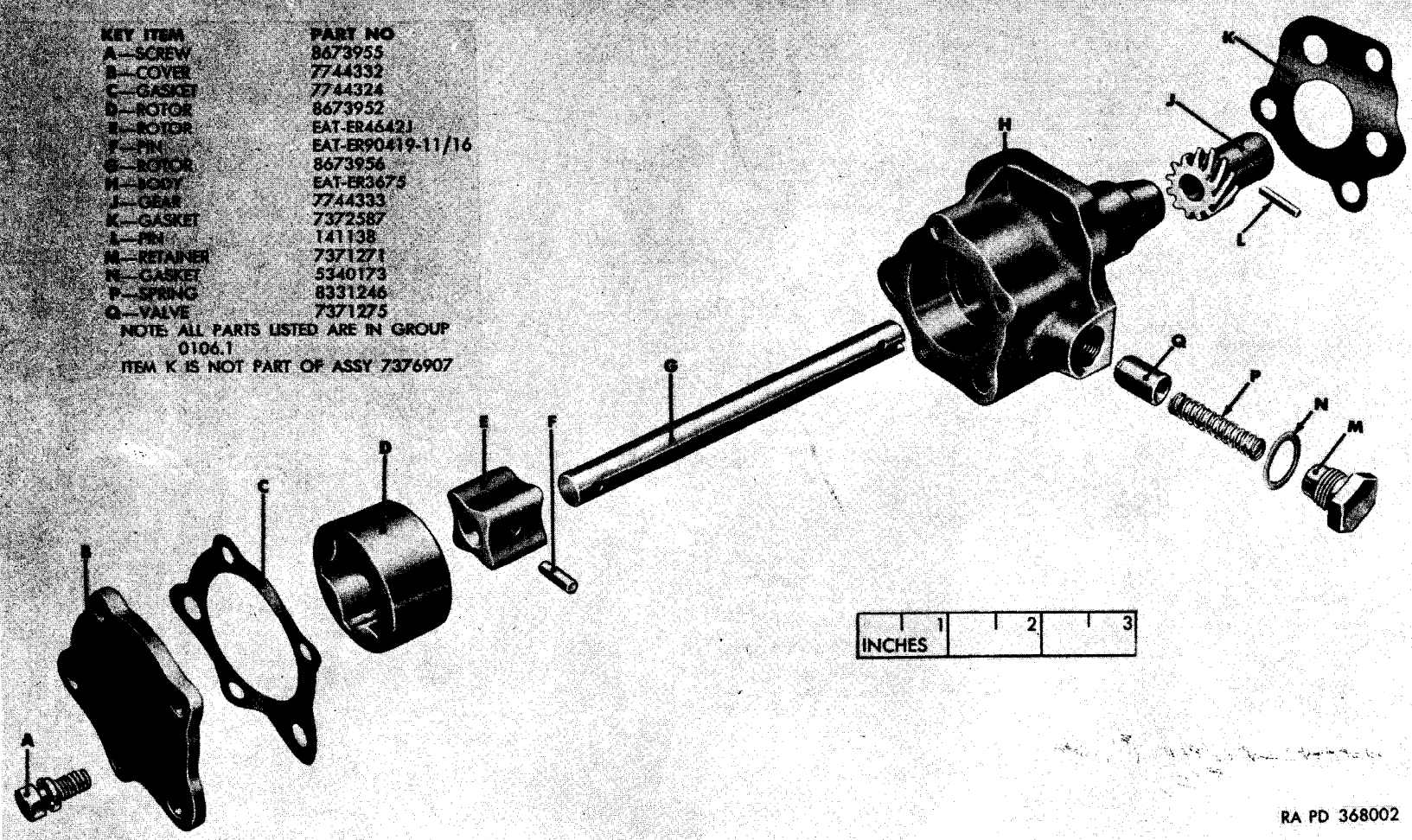


Figure 01-9. Oil pump, assy (7376907)—exploded view

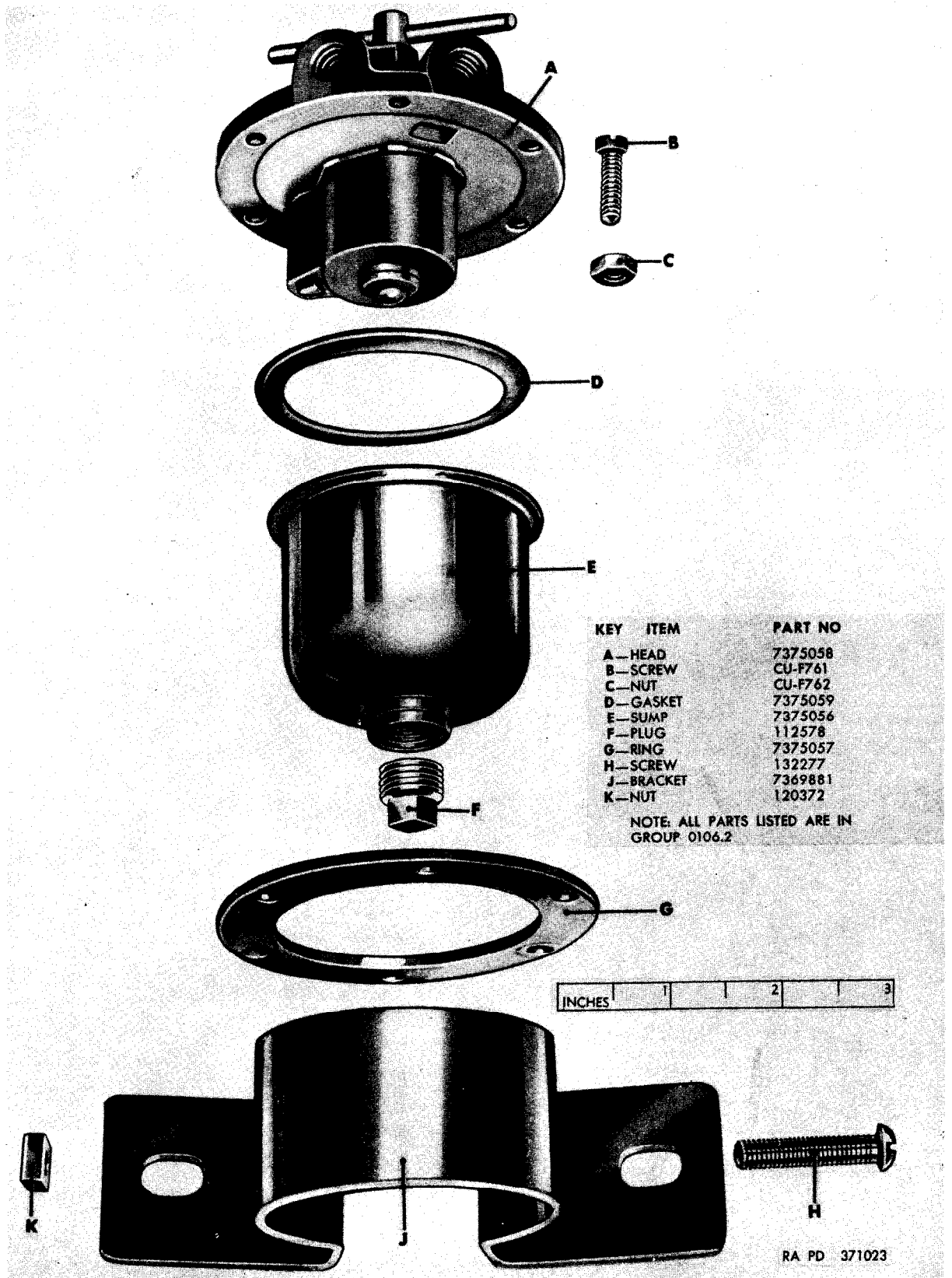


Figure 01-10. Oil filter, assy (Cuno) (7375060)—exploded view

KEY ITEM	PART NO
A—SCREW	133129
B—WASHER	116120
C—CLAMP	FR-102153
D—BODY, ASSY	FR-5310-2
E—GROMMET	FR-100918
F—ELEMENT	540462
G—SPRING	A308282
H—GASKET	7039934
J—COVER	7529093
K—GASKET	5308281
L—SCREW	5308280
M—NUT	120399

NOTE: ALL PARTS LISTED ARE IN GROUP 0106.2

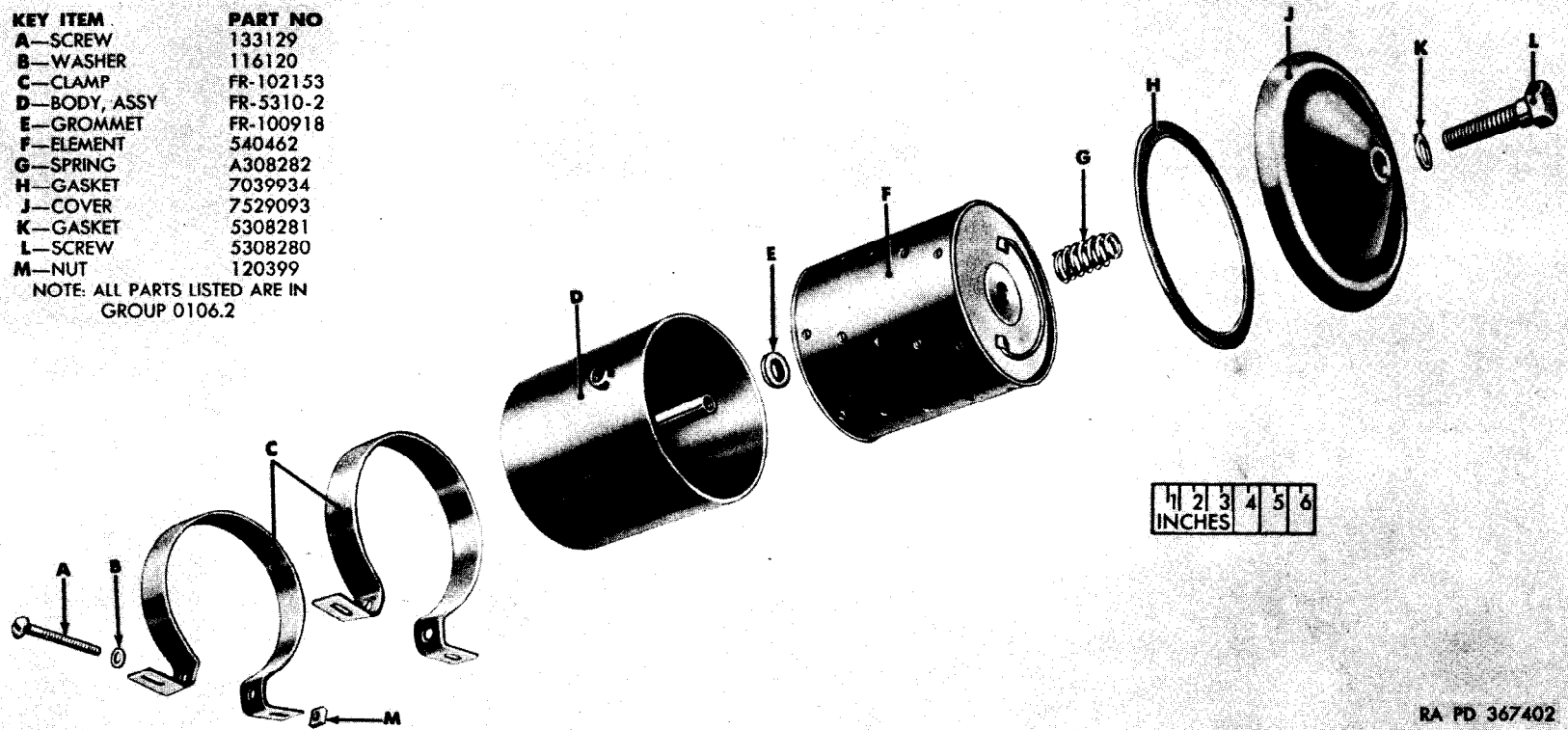


Figure 01-11. Oil filter, assy (Fram) (540501)—exploded view

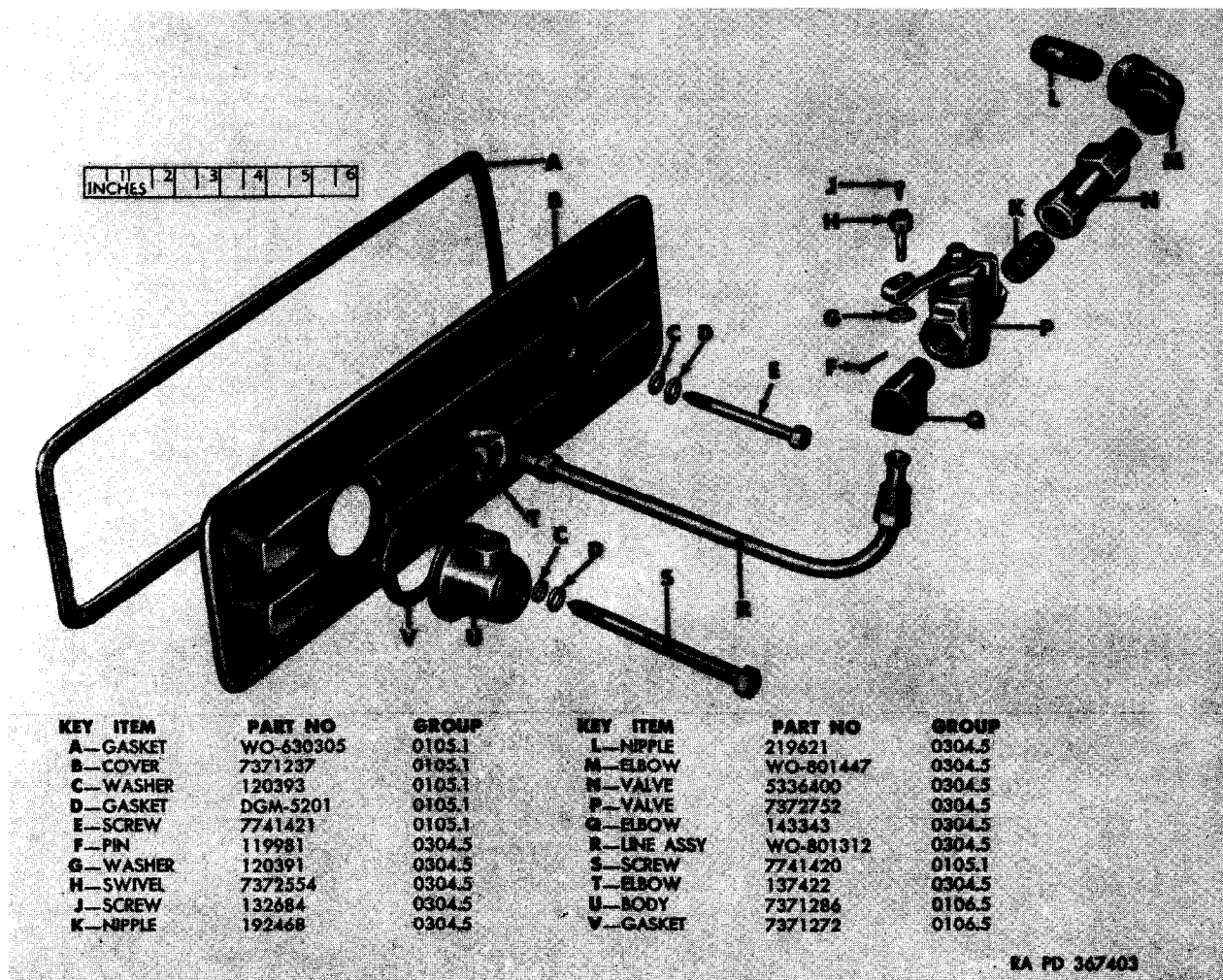
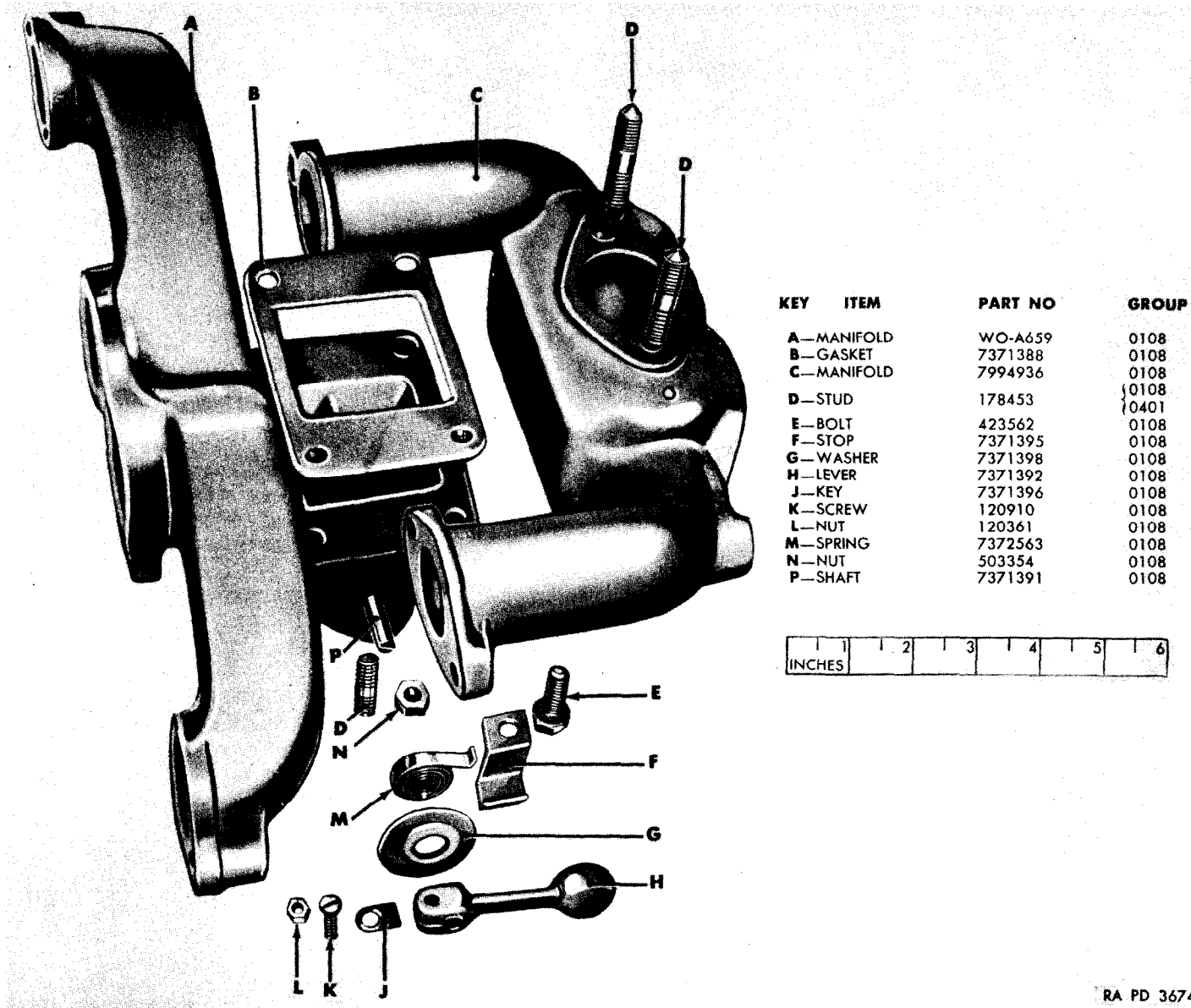


Figure 01-12. Valve cover and ventilator parts—exploded view





RA PD 367420

Figure 01-13. Manifold and heat control—exploded view

(1) ILLUSTRATION NO.	(2) REFERENCE SYMBOLS	(3) ORDNANCE STOCK NO.	(4) FEDERAL STOCK NO.	(5) MFR'S PART NO.	(6) ORDNANCE PART NO.	(7) DESCRIPTION	(8) QUANTITY INCORPORATED IN UNIT	(9) UNIT OF ISSUE	
<b>GROUP 01—ENGINE</b>									
<b>0100.1—POWER PLANT ASSEMBLY</b>									
01-1		G740-7375026		WO-802016	7375026	HOOK, lifting.....	1	ea	
				WO-802021	8673463	POWER PLANT, assy (includes ENGINE, TRANSMISSION, CLUTCH, and TRANSFER) (superseded by POWER PLANT WO-806005) (used through engine serial No. 74419)	1	ea	
				WO-806005		POWER PLANT, assy (includes ENGINE, TRANSMISSION, CLUTCH and TRANSFER) (supersedes POWER PLANT 8673463) (used after engine serial No. 74419)	1	ea	
<b>0100.2—ENGINE ASSEMBLY</b>									
25	H1	G740-7372544 H001-5420481	2805-737-2544 012-2104	WO-800809	7372544 122104	BRACKET, mounting, rear.....	1	ea	
	H1	H001-7025741 G740-7372545	5310-012-0382	WO-649707	120382 7372545	BOLT, MACHINE, hex-hd, S, cd or zn-pltd, 3/8-16NC-3 x 3/8	4	ea	
	H1	H001-0924218 G740-7372548	010-4097	WO-649706	104097 7372548	WASHER, LOCK, med, S, cd or zn-pltd, 3/8 in.....	4	ea	
		G740-8328043		WO-804488	8328043	BRACKET, stay cable, rear.....	1	ea	
	H1	H001-4167601	012-0369		120369	RIVET, SOLID, b-hd, S, 5/16 x 3/4.....	1	ea	
	H1	H001-7025471 G740-7372550	5310-012-0382 2805-737-2550	WO-649857	120382 7372550	CABLE, stay, assy (between engine and transmission) (used on engines through serial No. 74419)	1	ea	
	01-5	H1	H001-5419841	012-0213		120213	CABLE, stay, assy (between engine and transmission) (used on engines after serial No. 74419)	1	ea
		H1	H001-4167561	012-0368		120368	NUT, PLAIN, HEXAGON, light, s-fin, S, cd or zn-pltd, 3/8-24NF-2	2	ea
		H1	H001-4040581	050-3323		503323	WASHER, LOCK, med, S, cd or zn-pltd, 3/8 in med.....	2	ea
		H1	H001-7043711 H001-7025711	5310-012-0393 5310-012-0214		120393 120214	CUSHION, front mounting support.....	2	ea
01-5	H1					BOLT, MACHINE, cap, hex-hd, S, cd or zn-pltd, 5/16-24NF-3 x 7/8	4	ea	
	H1					NUT, PLAIN, HEXAGON, s-fin, S, cd or zn-pltd, 5/16-24NF-2	4	ea	
	H1					NUT, SELF-LOCKING, HEXAGON, S, cd or zn-pltd, 1/2-20NF-3 (critical-installations)	2	ea	
	H1					WASHER, FLAT, light series, S, 5/16 in, cd or zn-pltd.....	4	ea	
	H1					WASHER, LOCK, S, 5/16 in, med, cd or zn-pltd.....	4	ea	



(1) ILLUSTRATION NO.	(2) REFERENCE SYMBOLS	(3) ORDNANCE STOCK NO.	(4) FEDERAL STOCK NO.	(5) MFR'S PART NO.	(6) ORDNANCE PART NO.	(7) DESCRIPTION	(8) QUANTITY INCORPORATED IN UNIT	(9) UNIT OF ISSUE
<b>GROUP 01—ENGINE—Continued</b>								
<b>0100.2—ENGINE ASSEMBLY—Continued</b>								
	H1	G740-7372551 H001-4167601	2805-737-2551 012-0369	WO-801053	7372551 120369	CUSHION, rear mounting support.....	1	ea
	H1	H001-4040541	050-3351		503351	NUT, PLAIN, HEXAGON, lt, s-fin, S, cd or zn-pltd, 3/8-24NF-2	2	ea
	H1	H001-7043741	012-0394		120394	NUT, SELF-LOCKING, HEXAGON, 3/8-24NF-3 (critical installations)	2	ea
	H1	H001-7045591	5310-012-0388		120388	WASHER, FLAT, light series, S, 3/8 in, cd or zn-pltd	2	ea
	H1	H001-7025741	5310-012-0382		120382	WASHER, FLAT, S, cd or zn-finish, 7/16 ID, 1 OD	2	ea
				WO-802020	8673510	WASHER, LOCK, 3/8 in med, S, cd or zn-pltd	2	ea
				WO 806004		ENGINE, w/ACCESSORIES, assy (same as ENGINE, G740-7375025 w/o CLUTCH and flywheel HOUSING) (superseded by ENGINE, WO-806004)	1	ea
				WO 806004		ENGINE, w/ACCESSORIES, assy (same as ENGINE, G740-8328044 w/o CLUTCH and flywheel HOUSING) (supersedes ENGINE, 8673510)	1	ea
01-1, 2, 3, 4		G740-8328044		WO-806007	8328044	ENGINE, w/ACCESSORIES, assy (supersedes ENGINE, G740-7375025) (used after engine serial No. 74419) (includes fuel PUMP, CARBURETOR, DISTRIBUTOR, spark PLUGS, oil PUMP, oil FILTER, water PUMP, THERMOSTAT, FAN, fan BELT, CLUTCH, flywheel HOUSING, GENERATOR, and STARTER)	1	ea
		G740-7375025		WO-802023	7375025	ENGINE, w/ACCESSORIES, assy (superseded by ENGINE, G740-8328044) (used through engine serial No. 74419) (includes fuel PUMP, CARBURETOR, DISTRIBUTOR, spark PLUGS, oil PUMP, oil FILTER, water PUMP, THERMOSTAT, FAN, fan BELT, CLUTCH, flywheel HOUSING, GENERATOR, and STARTER)	1	ea
		G503-7412658		WO-641087	7412658	<b>0101—CYLINDER BLOCK AND HEAD</b> BLOCK, cylinder (less CAPS) (used on engines through serial No. 74419)	1	ea
				WO-804380		BLOCK, cylinder (less CAPS) (used on engines after serial No. 74419)	1	ea
				WO-802025		BLOCK, cylinder, assy (short) (includes all internal moving parts)	1	ea

				WO-800100	8673497	BLOCK, cylinder, w/BEARINGS, assy (used on engines through serial No. 74419)	1	ea
01-5				WO-804937		BLOCK, cylinder, w/BEARINGS, assy (used on engines after serial No. 74419)	1	ea
				WO-641066	8673475	BLOCK, cylinder, w/bearing CAPS, assy (used on engines through serial No. 74419)	1	ea
				WO-804936		BLOCK, cylinder, w/bearing CAPS, assy (used on engines after serial No. 74419)	1	ea
	H6	H106-0103647			103647	COCK, drain, tee-handle, br, 1/4 in, male pipe end (type C)	1	ea
01-4		G503-7741412	774-1412	WO-638540	7741412	GASKET, cylinder head	1	ea
01-3, 4		G740-7372556		WO-800376	7372556	HEAD, cylinder	1	ea
		G503-5333811		WO-638539	5333811	NUT, hex, S, zn-pltd, 1/16-20NF-4	15	ea
		G503-7371137		WO-349368	7371137	STUD, S, 1/16-14NC x 1/16-20NF 2 x 3 1/16 (used on engines through serial No. 10169 and after serial No. 22765)	12	ea
		G716-7348512		WO-802548	7348512	STUD, S, 1/16-14NC x 1/16-20NF-2 x 3 3/8 (used on engines after serial No. 10169 and through serial No. 22765)	12	ea
		G503 7371138		WO-A1548	7371138	STUD, S, cd or zn-pltd, 1/16-14NC (5/8) x 1/16-20NF (1 1/16) x 3 1/8	3	ea
	H6	H006 0282480			541402	PLUG, expansion, S, 1 1/4 in diam (used on engines through serial No. 17140 (5); and after engine serial No. 17140 (2))	5	ea
	H6	H006-0283755		WO-376373	7324919	PLUG, PIPE, ck, MI, 3/8 in	2	ea
	H6	H106-0117243	011-7243		117243	PLUG, PIPE, S, cd or zn-fin, hd, 1/8-27NPT, RH thread (superseded by PLUG, G758-8329675) (for rear inter brg only)	3	ea
	H6	H106-0125947	012-5947		125947	PLUG, PIPE, S, cd or zn-fin, slotted, headless, 1/8-27NPT, RH thread	1	ea
	H6	H106-0143980	014-3980		143980	PLUG, PIPE, S, cd or zn-fin, square head, 3/8-18NPT, RH thread	1	ea
		G758-8329675		WO-805472	8329675	PLUG, spec, pipe, drilled-sq-hd, S, 1/8 in (supersedes PLUG, H106-0117243) (rear inter brg only)	1	ea
	H1	H101-0103151		WO-635886	103151	STUD, S, 1/4-20NC (3/8) x 1/4-28NF-2 (1/2) x 1	2	ea
<b>0102.1 - CRANKSHAFT</b>								
		G716-8673476		WO-646316	8673476	CRANKSHAFT, w/COUNTERWEIGHTS	1	ea
01-3, 4, 6		G503-7744473		WO-647078	7744473	CRANKSHAFT, w/flywheel BOLT, NUT, and WASHER, assy	1	ea
01-3, 5		G740-7372558		WO-649722	7372558	PULLEY, drive, fan and generator (double "V")	1	ea
01-5	H1	H001-0518022	012-4549		124549	KEY, WOODRUFF, alloy-S, 3/16 x 3/4 (No. 606 or 9)	1	ea
01-3, 5		G503-7697864		WO-638513	7697864	NUT, hex, S, 1 1/16	1	ea
01-5		G740-7375028		WO-647468	7375028	SEAL, oil, front	1	ea

(1)	(2)	(3)	(4)	(5)	(6)	(7)	(8)	(9)
ILLUSTRATION NO.	REFERENCE SYMBOLS	ORDNANCE STOCK NO.	FEDERAL STOCK NO.	MFR'S PART NO.	ORDNANCE PART NO.	DESCRIPTION	QUANTITY INCORPORATED IN UNIT	UNIT OF ISSUE
						<b>GROUP 01—ENGINE—Continued</b>		
						<b>0102.1—CRANKSHAFT—Continued</b>		
		G740-7372560		VG-49650	7372560	SEAL, oil, rear (upper and lower).....	2	ea
		G503-7371376		WO-800093 WO-A1124	7371376	SHIELD, pulley (see PAN 7371278 in subgroup 0106.6 for attaching parts)	1	ea
01-6		G503-7371226		WO-630262	7371226	SHIM, adjusting, 0.002 thk.....	1	ea
01-5, 6		G503-7371161		WO-375877	7371161	SLINGER, oil.....	1	ea
		G740-7372559		WO-649849	7372559	SPACER, fan pulley shield.....	6	ea
01-6		G503-7371160		WO-634796	7371160	WASHER, thrust, S, 1.251 ID, 3 1/8 OD, 0.153 thk.....	1	ea
						<b>0102.2—MAIN BEARINGS</b>		
01-6		G740-7372565	2805-354-3789	WO-645161	7372565	BEARING STD, 2 halves, center, assy.....	1	ea
		G740-7372568	2805-737-2568	WO-645164	7372568	BEARING 0.010 U/S, 2 halves, center, assy.....	1	ea
		G740-7372571	2805-495-9607	WO-645167	7372571	BEARING 0.020 U/S, 2 halves, center, assy.....	1	ea
		G740-7372574	2805-495-9610	WO-645170	7372574	BEARING 0.030 U/S, 2 halves, center, assy.....	1	ea
01-6		G740-7372564		WO-645160	7372564	BEARING STD, 2 halves, front, assy.....	1	ea
		G740-7372567	2805-737-2567	WO-645163	7372567	BEARING 0.010 U/S, 2 halves, front, assy.....	1	ea
		G740-7372570		WO-645166	7372570	BEARING 0.020 U/S, 2 halves, front, assy.....	1	ea
		G740-7372573		WO-645169	7372573	BEARING 0.030 U/S, 2 halves front, assy.....	1	ea
01-6		G740-7372566	2805-354-3790	WO-645162	7372566	BEARING STD, 2 halves, rear, assy.....	1	ea
		G740-7372569	2805-737-2569	WO-645165	7372569	BEARING 0.010 U/S, 2 halves, rear, assy.....	1	ea
		G740-7372572	2805-495-9608	WO-645168	7372572	BEARING 0.020 U/S, 2 halves, rear, assy.....	1	ea
		G740-7372575	2805-495-9611	WO-645171	7372575	BEARING 0.030 U/S, 2 halves, rear, assy.....	1	ea
		G503-7371493		WO-A6798	7371493	BEARING SET, STANDARD.....	1	ea
						Composed of:		
					7372564	1 BEARING		
					7372565	1 BEARING		
					7372566	1 BEARING		
		G503-7521218		WO-A6746	7521218	BEARING SET, 0.010 UNDERSIZE.....	1	ea
						Composed of:		
					7372567	1 BEARING		
					7372568	1 BEARING		
					7372569	1 BEARING		

		G503-7371503	737-1503	WO-A6747	7371503	BEARING SET, 0.020 UNDERSIZE.....	1	ea
						Composed of:		
					7372570	1 BEARING		
					7372571	1 BEARING		
					7372572	1 BEARING		
		G503-7371504		WO-A6748	7371504	BEARING SET, 0.030 UNDERSIZE.....	1	ea
						Composed of:		
					7372573	1 BEARING		
					7372574	1 BEARING		
					7372575	1 BEARING		
				WO-630288		CAP, bearing, center.....	1	ea
				WO-630285		CAP, bearing, front.....	1	ea
				WO-637236		CAP, bearing, rear.....	1	ea
		G503-7371227		WO-381519	7371227	SCREW, cap, hex-hd, 1/2-13NC-2 x 3/8 in.....	6	ea
	H1	H001-7025801	012-0384		120384	WASHER, LOCK, 1/2 medium, steel, cd or zn-pltd.....	6	ea
		G503-7371281		WO-637790	7371281	PACKING, rear bearing cap.....	2	ea
01-6		G503-7371229		WO-635377	7371229	PIN, dowel, bearing.....	5	ea
						<b>0103-FLYWHEEL</b>		
		G503-7371191			7371191	BEARING, bushing type, starter (listed in subgroup 0603)	1	ea
		G503-7371368			7371368	BEARING, pilot, clutch (listed in subgorup 0201).....	1	ea
		G503-7371232		WO-116295	7371232	BOLT, dowel, 1/2-20NF-2 x 1 3/16.....	2	ea
		G503-7371341	2520-495-9554	WO-630103	7371341	COVER, inspection, clutch linkage (housing) (super- seded by COVER, G740-8328310) (used on engines through serial No. 74419)	1	ea
	H1	H101-9409106			9409106	BOLT, MACHINE, hex-hd, w/spring lockwasher, S, cd or zn-pltd, 1/4-20NC-2 x 1/2	2	ea
01-5		G740-8328310		WO-804417	8328310	COVER, inspection, clutch linkage (housing) (super- sedes COVER, G503-7371341) (used on engines after serial No. 74419)	1	ea
01-5	H1	H101-9409106			9409106	BOLT, MACHINE, hex-hd, w/spring lockwasher, S, cd or zn-pltd, 1/4-20NC-2 x 1/2	6	ea
	H1	G503-7371501		WO-375217	7371501	COVER, timing hole (on housing) (used on engines through serial No. 74419)	1	ea
	H1	H101-0172427	5305-017-2427		172427	SCREW, TAPPING, THREAD CUTTING, hex-hd, S, cd or zn-fin, 1/4-20NC-2 x 1/2	1	ea
	H1	H001-7025681	012-0380		120380	WASHER, lock, med, S, cd or zn-pltd, 1/4 in.....	1	ea
				WO-A1441	8677008	FLYWHEEL	1	ea
				WO-804314		FLYWHEEL, assy (used on engines after serial No. 74419)	1	ea

(1)	(2)	(3)	(4)	(5)	(6)	(7)	(8)	(9)
ILLUSTRATION NO.	REFERENCE SYMBOLS	ORDNANCE STOCK NO.	FEDERAL STOCK NO.	MFR'S PART NO.	ORDNANCE PART NO.	DESCRIPTION	QUANTITY INCORPORATED IN UNIT	UNIT OF ISSUE
						<b>GROUP 01—ENGINE—Continued</b>		
						<b>0103—FLYWHEEL—Continued</b>		
				WO-641960	8677016	FLYWHEEL, assy (used on engines through serial No. 74419)	1	ea
01-3				WO-802924		FLYWHEEL, w/ring GEAR, assy (used on engines after serial No. 74419)	1	ea
		G716-8328019		WO-641959	8328019	FLYWHEEL, w/ring GEAR, assy (used on engines through serial No. 74419)	1	ea
		G503-7371232		WO-116295	7371232	BOLT, dowel, $\frac{1}{2}$ -20NF-2 x $1\frac{3}{16}$	2	ea
01-6		G503 7324840		WO 632157	7324840	BOLT, hex-hd, S, $\frac{3}{8}$ -24NF-2 x $1\frac{1}{2}$	6	ea
	H1	H001-4167601	012-0369		120369	NUT, PLAIN, HEX, lt, s-fin, S, cd or zn-pltd, $\frac{3}{8}$ -24NF-2	6	ea
01-6		G503-7371231		WO-632156	7371231	PIN, dowel, tapered, engine flywheel to crankshaft	2	ea
	H1	H001-7017681	5310-013-8489		138489	WASHER, LOCK, S, cd or zn-fin, style No. 1, 0.670 OD, $\frac{3}{8}$ in bolt size	6	ea
		G740-8328045		WO-805454	8328045	FLYWHEEL, w/ring GEAR and dowel BOLT, assy (used on engines after serial No. 74419)	1	ea
		G740-7372582		WO-643562	7372582	FLYWHEEL, w/ring GEAR and dowel BOLT, assy (used on engines through serial No. 74419)	1	ea
01-5		G740-8328048		WO-804377	8328048	GASKET, bell housing to rear engine plate (used on engines after serial No. 74419)	1	ea
01-5		G740-8328313		WO-804418	8328313	GASKET, clutch linkage inspection cover (cork, 0.090 thk) (used on engines after serial No. 74419)	1	ea
01-5		G740-8328049		WO-804379	8328049	GASKET, cylinder block to rear engine plate (used on engines after serial No. 74419)	1	ea
		G740-8328046		WO-802925	8328046	GEAR, ring, flywheel (used on engines after serial No. 74419)	1	ea
		G740-7372583		WO-641955	7372583	GEAR, ring, flywheel (used on engines through serial No. 74419)	1	ea
01-1, 5		G740-8328312		WO-804812	8328312	HOUSING, flywheel, assy (used on engines after serial No. 74419)	1	ea
01-5		G740-8328311		WO-804367	8328311	BOLT, dowel, $\frac{3}{8}$ -24NF-3 x $3\frac{3}{8}$	2	ea
01-5	H1	H101-0120640	012-0640		120640	BOLT, MACHINE, cap, hex-hd, S, cd or zn-pltd, $\frac{3}{8}$ -24NF-3 x $2\frac{1}{2}$	4	ea

01-5	H1	H101-0124128	012-4128		124128	BOLT, MACHINE, cap, hex-hd, S, cd or zn-pltd, $\frac{3}{8}$ -24NF-3 x 3	2	ea
	H1	H001-4167601	012-0369		120369	NUT, PLAIN, HEXAGON, lt, reg, S, cd or zn-pltd, $\frac{3}{8}$ -24NF-2	8	ea
	H1	H001-7025741	012-0382		120382	WASHER, LOCK, med, S, cd or zn-pltd, $\frac{3}{8}$ in	8	ea
	H1	H001-7043741	012-0394		120394	WASHER, PLAIN, lt series, S, $\frac{3}{8}$ in, cd or zn-pltd, $1\frac{1}{32}$ ID, $1\frac{13}{16}$ OD, 0.065 thk	8	ea
				WO-804306		HOUSING, flywheel (used on engines after serial No. 74419)	1	ea
				WO-801628	8673461	HOUSING, flywheel (used on engines through serial No. 74419)	1	ea
		G740-7348511		WO-801629	7348511	HOUSING, flywheel, w/starter BEARING, assy (used on engines through serial No. 74419)	1	ea
		G503-7371700		WO-630101	7371700	BOLT, hex-hd, S, $\frac{3}{8}$ -24NF-2 x $2\frac{1}{2}$	2	ea
	H1	H001-5421281	012-3534		123534	BOLT, MACHINE, cap, hex-hd, S, cd or zn-pltd, $\frac{3}{8}$ -24NF-3 x $1\frac{1}{8}$	3	ea
	H1	II101-0123825	012-3825		123825	BOLT, MACHINE, cap, hex-hd, S, cd or zn-pltd, $\frac{3}{8}$ -24NF-3 x $1\frac{5}{8}$	2	ea
	H1	H001-4167601	012-0369		120369	NUT, PLAIN, HEX, lt, s-fin, S, cd or zn-pltd, $\frac{3}{8}$ -24NF-2	7	ea
	II1	H001-7025741	012-0382		120382	WASHER, LOCK, med, S, cd or zn-pltd, $\frac{3}{8}$ in	7	ea
01-3, 5		G740-8328047		WO-807889	8328047	PLATE, engine, rear, w/tapping BLOCKS (welded) (used on engines after serial No. 74419) (supersedes PLATE, G740-7375029)	1	ea
		G740-7375029	2805-737-5029	WO-801595	7375029	PLATE, engine, rear (superseded by PLATE, G740-8328047) (used on engines through serial No. 74419)	1	ea
01-5	H1	H001-5419841	012-0213		120213	BOLT, MACHINE, cap, hex-hd, S, cd or zn-pltd, $\frac{5}{16}$ -24NF-3 x $\frac{7}{8}$	6	ea
01-5		G758-8332679			8332679	WASHER, FINISHING, plain, cop, 0.31 ID, 0.44 OD, 0.09 thk	6	ea
	H6	H006-0282440			501593	PLUG, expansion, S, $\frac{3}{4}$ in diam (flywheel housing) (used on engines through serial No. 74419)	1	ea
		G758-8328483		WO-805767	8328483	REINFORCEMENT, engine plate, rear, left (used on engines after serial No. 74419)	1	ea
		G758-8328484		WO-805768	8328484	REINFORCEMENT, engine plate, rear, right (used on engines after serial No. 74419)	1	ea
				WO-808000		SEAL, S, rear engine plate (for service only) (used w/HOUSING, G740-7348511 through engine serial No. 74419)	1	ea
20-5	H1	H101-0103260			103260	STUD, S, $\frac{9}{16}$ -12NC ( $\frac{1}{8}$ ) x $\frac{9}{16}$ -18NF-2 ( $\frac{1}{8}$ ) x $2\frac{1}{8}$ (plugging, flywheel housing) (used to attach HANGER, G740-7411681 when winch is used) (used on vehicles after serial No. 74419)	1	ea

(1) ILLUSTRATION NO.	(2) REFERENCE SYMBOLS	(3) ORDNANCE STOCK NO.	(4) FEDERAL STOCK NO.	(5) MFR'S PART NO.	(6) ORDNANCE PART NO.	(7) DESCRIPTION	(8) QUANTITY INCORPORATED IN UNIT	(9) UNIT OF ISSUE
<b>GROUP 01—ENGINE—Continued</b>								
<b>0103—FLYWHEEL—Continued</b>								
01-5	H1	G740-8328125		WO-804289	8328125	SUPPORT, rear, cylinder block to rear engine plate (used on engines after serial No. 74419)	1	ea
		H001-5419141	012-2007		122007	BOLT, MACHINE, cap, hex-hd, S, cd or zn-pltd, $\frac{5}{16}$ -18NC-3 x $\frac{3}{4}$	2	ea
		H101-0172427	5305-017-2427		172427	SCREW, TAPPING, THREAD CUTTING, hex-hd, fluted-taper-pt, S, cd or zn-pltd, $\frac{1}{4}$ -20NC-2 x $\frac{1}{2}$	4	ea
					143481	TEE, flared tube, inverted, br, $\frac{1}{4}$ in tube, $\frac{3}{16}$ in tube, $\frac{1}{8}$ in male pipe side (flywheel housing)	1	ea
<b>0104.1—PISTONS AND PISTON RINGS</b>								
01-7		G503-7324840		WO-632157	7324840	BOLT, hex-hd, S, $\frac{3}{8}$ -24NF-2 x $1\frac{15}{32}$ (locking, piston pin)	4	ea
01-7	H1	H001-7025741	012-0382		120382	WASHER, LOCK, med, S, cd or zn-pltd, $\frac{3}{8}$ in	4	ea
				SEPC-WAJ291 MNC-R1788C WO-116108	8677030	EXPANDER, piston compression ring (intermediate) (for normal and extreme oil consumption, std and 0.020 oversize ring) (superseded by RING PR-B1061C)	4	ea
				SEPC-WAJ292 WO-116613		EXPANDER, piston compression ring (top) (for normal and extreme oil consumption, 0.030 and 0.040 oversize ring) (superseded by RING, PR-B1062C and RING, PR-24929)	4	ea
				PR-031E12A MNC-R5792 WO-806146		EXPANDER, piston oil regulating ring (bottom) (for normal and extreme oil consumption)	4	ea
				SEPC-WAJ294 MNC-R1787D WO-116109	8677031	EXPANDER, piston oil regulating ring (bottom) (for normal and extreme oil consumption, std ring)	4	ea
				SEPC-WAJ304 WO-801492		EXPANDER, piston oil regulating ring (bottom) (for normal and extreme oil consumption, 0.020, 0.030, and 0.040 oversize ring)	4	ea
01-3, 7		G503-7371144		WO-636961	7371144	PIN, piston	4	ea
		G503-7371145		WO-116003	7371145	Standard 0.003 oversize	†	ea

01-3	G740-7372873	WO-801476	7372873	PISTON, w/PIN, assy.....	4	ea
	G740-7372874	WO-801538	7372874	Standard	†	ea
	G740-7372875	WO-801539	7372875	0.020 oversize.....	†	ea
	G740-7372876	WO-801540	7372876	0.030 oversize.....	†	ea
01-7		WO-801371		0.040 oversize.....	†	ea
		WO-801534		PISTON, w/o PIN,.....	4	ea
		WO-801535		Standard		
		WO-801536		0.020 oversize.....	†	ea
		WO-809021		0.030 oversize.....	†	ea
				0.040 oversize.....	†	ea
				RING, oil regulating, piston (0.020 oversize) w/EX- PANDER, assy (bottom) (normal oil consumption) Composed of: 1 EXPANDER 1 RING	4	ea
		PR-031E12A PR-X4071A WO 809022		RING, oil regulating, piston (0.030 oversize) w/EX- PANDER, assy (bottom) (normal oil consumption) Composed of: 1 EXPANDER 1 RING	4	ea
		PR-031E12A PR-X4072A WO-809023		RING, oil regulating, piston (0.040 oversize) w/EX- PANDER, assy (bottom) (normal oil consumption) Composed of: 1 EXPANDER 1 RING	4	ea
		PR-031E12A PR-X4073A		RING, piston, bottom groove,.....	4	ea
01-7		SEPC-WAJ247 WO-116616		Standard		
		SEPC-WAJ247C WO-116116		0.020 oversize.....	4	ea
		SEPC-WAJ247D WO-116117		0.030 oversize.....	4	ea
		SEPC-WAJ247E WO-116705		0.040 oversize.....	4	ea
		SEPC-WAJ293 MNC-R5153B WO-801480		RING, piston, bottom groove (for extreme oil consump- tion), Standard	4	ea
		MNC-R5153B WO-119022		0.020 oversize.....	4	ea
		MNC-R5153B WO-119023		0.030 oversize.....	4	ea
		MNC-R5153B WO-119024		0.040 oversize.....	4	ea



0104.1

(1) ILLUSTRATION NO.	(2) REFERENCE SYMBOLS	(3) ORDNANCE STOCK NO.	(4) FEDERAL STOCK NO.	(5) MFR'S PART NO.	(6) ORDNANCE PART NO.	(7) DESCRIPTION	(8) QUANTITY INCORPORATED IN UNIT	(9) UNIT OF ISSUE
<b>GROUP 01—ENGINE—Continued</b>								
<b>0104.1—PISTONS AND PISTON RINGS—Continued</b>								
				SEPC-WAJ293 MNC-R5153B STD WO-801480		RING, piston, bottom groove..... Standard (supersedes RING, SEPC-WAJ298)	4	ea
				SEPC-WAJ298 WO-636148		Standard (superseded by RING, SEPC-WAJ293).....	4	ea
				SEPC-WAJ298C WO-115796		0.020 oversize (superseded by RING, PR-X4071A).....	4	ea
				PR-X4071A WO-809025		0.020 oversize (supersedes RING, SEPC-WAJ298C).....	4	ea
				SEPC-WAJ298D WO-115797		0.030 oversize (superseded by RING, PR-X4072A).....	4	ea
				PR-X4072A WO-809026		0.030 oversize (supersedes RING, SEPC-WAJ298D).....	4	ea
				SEPC-WAJ298E WO-115798		0.040 oversize (superseded by RING, PR-X4073A).....	4	ea
				PR-X4073A WO-809027		0.040 oversize (supersedes RING, SEPC-WAJ298E).....	4	ea
						RING, piston, compression, second groove,..... Standard	4	ea
				SEPC-WAJ211 WO-637042		0.020 oversize.....	‡	ea
				SEPC-WAJ211C WO-116023		0.030 oversize.....	‡	ea
				SEPC-WAJ211D WO-116024		0.040 oversize.....	‡	ea
				SEPC-WAJ211E WO-116704				
				SEPC-WAJ297 WO-116058	8677029	RING, piston, compression, second groove,..... Standard	4	ea
				SEPC-WAJ297C WO-116060		0.020 oversize (superseded by RING, PR-B1061C).....	‡	ea
				PR-B1061C WO-808797		0.020 oversize (supersedes RING, SEPC-WAJ297C and EXPANDER, 8677030)	‡	ea

34

01-7

01-7

35

		SEPC-WAJ297D WO-116061 PR-B1062C WO-808798 SEPC-WAJ297E WO-116708 PR-24929 WO-808799		0.030 oversize (superseded by RING, PR-B1062C)..... † ea 0.030 oversize (supersedes RING, SEPC-WAJ297D and EXPANDER, SEPC-WAJ292) † ea 0.040 oversize (superseded by RING, PR-24929)..... † ea 0.040 oversize (supersedes RING, SEPC-WAJ297E and EXPANDER, SEPC-WAJ292) † ea RING, piston, compression top groove,..... 4 ea Standard
		SEPC-WAJ239 WO-639864 SEPC-WAJ239C WO-116502 PR-2532A WO-808793 SEPC-WAJ239D WO-116503 PR-B2533A WO-808794 SEPC-WAJ239E WO-116703 PR-B2534A WO-808795	8677512	0.020 oversize (superseded by RING, PR-B2532A)..... † ea 0.020 oversize (supersedes RING, SEPC-WAJ239C)..... † ea 0.030 oversize (superseded by RING, PR-2533A)..... † ea 0.030 oversize (supersedes RING, SEPC-WAJ239D)..... † ea 0.040 oversize (superseded by RING, PR-B2534A)..... † ea 0.040 oversize (supersedes RING, SEPC-WAJ239E)..... † ea
	G503-7371146	SEPC-863 WO-A6794 WO-639864 WO-637042 WO-116616	7371146	RING SET, piston, standard (conventional type)..... 1 ea Composed of: 4 RING 4 RING 4 RING (for service, use RING SET, 8393084)
	G780-7418113	SEPC-535 WO-801500 WO-116108 WO-116109 WO-639864 WO-116058 WO-801480 WO-801494	7418113	RING SET, piston, standard (extreme oil consumption).... 1 ea Composed of: 4 EXPANDER 4 EXPANDER 4 RING 4 RING 4 RING 8 SEGMENT (supersedes RING SET, 8393084)
		SEPC-535 WO-116110 WO-116108 WO-116109 WO-639864 WO-116058 WO-636148	8393084	RING SET, piston, standard (normal oil consumption).... 1 ea Composed of: 4 EXPANDER 4 EXPANDER 4 RING 4 RING 4 RING (superseded by RING SET, G780-7418113)

0104.1

(1) ILLUSTRATION NO.	(2) REFER- ENCE SYMBOLS	(3) ORDNANCE STOCK NO.	(4) FEDERAL STOCK NO.	(5) MFR'S PART NO.	(6) ORDNANCE PART NO.	(7) DESCRIPTION	(8) QUANTITY INCOR- PORATED IN UNIT	(9) UNIT OF ISSUE
						<b>GROUP 01—ENGINE—Continued</b>		
						<b>0104.1—PISTONS AND PISTON RINGS—Continued</b>		
		G503-7330714		WO-A6796	7330714	RING SET, piston, 0.020 oversize (conventional type)..... Composed of: 4 RING 4 RING 4 RING (for service use RING SET, G780-7418111)	1	ea
		G780-7418111		SEPC-535C WO-116112	7418111	RING SET, piston, 0.020 oversize (normal oil consumption) Composed of: 4 EXPANDER 4 EXPANDER 4 RING 4 RING 4 RING (superseded by RING SET, PR-68-41+.020)	1	ea
				PR-68-4+.020 WO-809047		RING SET, piston, 0.020 oversize (normal oil consumption) Composed of: 4 RING  4 RING  4 RING, w/EXPANDER (supersedes RING SET, G780-7418111)	1	ea
		G780-7418114		SEPC-535XB WO-801502	7418114	RING SET, piston, 0.020 oversize (extreme oil consumption) Composed of: 4 EXPANDER 4 EXPANDER 4 RING 4 RING 4 RING 4 RING 8 SEGMENT	1	ea
				WO-116108 WO-801492 WO-116502 WO-116060 WO-801480 WO-801495				

G503-7371147	WO-A6797	7371147	RING SET, piston, 0.030 oversize (conventional type).....	1	ea
			Composed of:		
	WO-116503		4 RING		
	WO-116024		4 RING		
	WO-116117		4 RING		
			(for service use RING SET, SEPC-535D)		
	SEPC-535XC	8677058	RING SET, piston, 0.030 oversize (extreme oil consumption)	1	ea
	WO-801503		Composed of:		
	WO-116613		4 EXPANDER		
	WO-801492		4 EXPANDER		
	WO-116503		4 RING		
	WO-116061		4 RING		
	WO-801480		4 RING		
WO-801495		8 SEGMENT			
SEPC-535D		RING SET, piston, 0.030 oversize (normal oil consumption)	1	ea	
WO-116113		Composed of:			
WO-116613		4 EXPANDER			
WO-801492		4 EXPANDER			
WO-116503		4 RING			
WO-116061		4 RING			
WO-115797		4 RING			
		(superseded by RING SET, PR-68-4+.030)			
PR-68-4+.030		RING SET, piston, 0.030 oversize (normal oil consumption)	1	ea	
WO-809048		Composed of:			
PR-B2533A		4 RING			
WO-808794					
PR-B1062C		4 RING			
WO-808798					
WO-809022		4 RING w/EXPANDER			
		(supersedes RING SET, SEPC-535D)			
G503-7329277	WO-A15283	7329277	RING SET, piston, 0.040 oversize (conventional type).....	1	ea
	WO-116703		Composed of:		
	WO-116704		4 RING		
	WO-116705		4 RING		
			4 RING		
			(for service use RING SET, SEPC-535E)		

(1) ILLUSTRATION NO.	(2) REFER- ENCE SYMBOLS	(3) ORDNANCE STOCK NO.	(4) FEDERAL STOCK NO.	(5) MFR'S PART NO.	(6) ORDNANCE PART NO.	(7) DESCRIPTION	(8) QUANTITY INCOR- PORATED IN UNIT	(9) UNIT OF ISSUE
<b>GROUP 01—ENGINE—Continued</b>								
<b>0104.1—PISTONS AND PISTON RINGS—Continued</b>								
		G780 7418115		SEPC-535XD WO-801504	7418115	RING SET, piston, 0.040 oversize (extreme oil consumption) Composed of: 4 EXPANDER 4 EXPANDER 4 RING 4 RING 4 RING 8 SEGMENT	1	ea
		G780-7418112		SEPC-535E WO-116706	7418112	RING SET, piston, 0.040 oversize (normal oil consumption) Composed of: 4 EXPANDER 4 EXPANDER 4 RING 4 RING 4 RING (superseded by RING SET, PR-68-4+.040)	1	ea
				PR-68-4+.040 WO-809049		RING SET, piston, 0.040 oversize (normal oil consumption) Composed of: 4 RING 4 RING 4 RING w/EXPANDER (supersedes RING SET, G780-7418112)	1	ea
				PR-24928 WO-808795				
				PR-24929 WO-808799				
				PR-72A367 WO-809023				
				SEPC-WAJ295 WO-801494		SEGMENT, piston oil control ring (extreme oil consumption, std)	8	ea
				SEPC-WAJ295B WO-801495		SEGMENT, piston oil control ring (extreme oil consumption, 0.020 and 0.030 oversize)	8	ea
				SEPC-WAJ295D WO-801496		SEGMENT, piston oil control ring (for extreme oil consumption, 0.040 oversize ring)	8	ea

**0104.2—CONNECTING RODS AND BEARINGS**

01-7	G740-8330745		WO-807941	8330745	BEARING SET, connecting rod, std.....	1	ea
			WO-639862		Composed of: 8 BEARING		
	G740-8330746		WO-807944	8330746	BEARING SET, connecting rod, 0.010 undersize.....	1	ea
			WO-116534		Composed of: 8 BEARING		
	G740-8330747		WO-807947	8330747	BEARING SET, connecting rod, 0.020 undersize.....	1	ea
			WO-116535		Composed of: 8 BEARING		
	G740-8330748		WO-807948	8330748	BEARING SET, connecting rod, 0.030 undersize.....	1	ea
			WO-116536		Composed of: 8 BEARING		
01-7	G503-7744471	774-4471	WO-641768	7744471	BOLT, $\frac{3}{8}$ -24NF-2 x 2 $\frac{1}{4}$ (connecting rod cap).....	8	ea
01-7	G503-7744472	774-4472	WO-641769	7744472	NUT, hex, S, $\frac{3}{8}$ -24NF-2.....	8	ea
01-7	H1			107823	NUT, jam, stamped, hex, lt, $\frac{1}{2}$ -notch, S, cd or zn-pltd, $\frac{3}{8}$ -24NF	8	ea
			WO-641770	8673393	ROD, connecting (for No. 1 and 3 cylinders).....	2	ea
			WO-641771		ROD, connecting (for No. 2 and 4 cylinders).....	2	ea
01-3			WO-641772	8677015	ROD, connecting, w/BEARING and CAPS (for No. 1 and 3 cylinders)	2	ea
			WO-641773		ROD, connecting, w/BEARING and CAPS assy (for No. 2 and 4 cylinders)	2	ea
01-7	G503-7743751		WO-641774	7743751	ROD, connecting w/o BEARING, assy (for No. 1 and 3 cylinders)	2	ea
01-4	G503-7743752		WO-641775	7743752	ROD, connecting, w/o BEARING, assy (for No. 2 and 4 cylinders)	2	ea
<b>0105.1—VALVES, SPRINGS, AND GUIDES</b>							
01-8	G740-7375032		EAT-K292 WO-800827	7375032	CAP, rotation, exhaust valve.....	4	ea
01-12	G503-7371237		WO-630303	7371237	COVER, valve spring.....	1	ea
01-12	G503-7741420	774-1420	WO-645093	7741420	SCREW, cap, hex-hd, S, $\frac{5}{16}$ -18NC-2 x 3 $\frac{11}{16}$ .....	1	ea
01-12	G503-7741421	774-1421	WO-645094	7741421	SCREW, cap, hex-hd, S, $\frac{5}{16}$ -18NC-2 x 2 $\frac{9}{16}$ .....	1	ea
01-12	H1	012-0393		120393	WASHER, FLAT, light series, S, $\frac{5}{16}$ in, cd or zn-pltd.....	2	ea
01-12	G503-0194022		WO-630305		GASKET, cork (valve spring cover).....	1	ea
01-12	G503-0194032		DGM-5201 WG-X1552 WO-51875		GASKET, cop, $\frac{5}{16}$ ID, $\frac{1}{2}$ OD, $\frac{3}{32}$ thk (valve spring cover screw)	2	ea
	G503-7520738		WO-375811	7520738	GUIDE, exhaust valve stem (superseded by GUIDE, G503-8328126)	4	ea

0105.1

(1)	(2)	(3)	(4)	(5)	(6)	(7)	(8)	(9)
ILLUSTRATION NO.	REFERENCE SYMBOLS	ORDNANCE STOCK NO.	FEDERAL STOCK NO.	MFR'S PART NO.	ORDNANCE PART NO.	DESCRIPTION	QUANTITY INCORPORATED IN UNIT	UNIT OF ISSUE
						<b>GROUP 01—ENGINE—Continued</b>		
						<b>0105.1—VALVES, SPRINGS, AND GUIDES</b>		
						<b>—Continued</b>		
01-4		G740-8328126		WO-119137	8328126	GUIDE, exhaust valve stem (supersedes GUIDE, G503-7520738)	4	ea
		G503-7520739		WO-637045	7520739	GUIDE, intake valve stem (superseded by GUIDE, WO-119136)	4	ea
01-3				WO-119136		GUIDE, intake valve stem (supersedes GUIDE, G503-7520739)	4	ea
01-8		G740-7375033		EAT-K630 WO-800826	7375033	LOCK, valve spring retainer (exhaust)	8	ea
01-8		G503-7371238		WO-375994	7371238	LOCK, valve spring retainer, lower (intake)	8	ea
01-8		G503-7371236		WO-637044	7371236	RETAINER, intake valve spring, lower	4	ea
01-8		G740-7375034		EAT-R-697 WO-800828	7375034	RETAINER, valve spring (exhaust)	4	ea
40 01-3, 4, 8		G503-7371235	5340-263-4539	WO-638636	7371235	SPRING, HELICAL, COMPRESSION	8	ea
01-3, 8		G740-7375035		EAT-5286 WO-800829	7375035	VALVE, exhaust	4	ea
01-3, 8		G503-7036579		RMC-A-365 WO-637182	7036579	VALVE, intake	4	ea
						<b>0105.2—VALVE TAPPETS</b>		
01-3, 8		G503-7371258		WIL-P-407A FM-GPW6549B WO-640020	7371258	SCREW, adjusting, self-locking, valve tappet	8	ea
01-8				CCS-65C-634 WO-647071	8677296	TAPPET, valve (optional w/TAPPET, G740-7372585)	8	ea
01-3		G740-7372585		WIL-MT9281 WO-647072	7372585	TAPPET, valve (optional w/TAPPET, 8677296)	8	ea
		G503-7743569	774-3569	WO-115948	7743569	TAPPET, valve, 0.004 oversize	8	ea
						<b>0105.3—CAMSHAFT</b>		
01-8		G503-7744319	774-4319	WO-645595	7744319	BEARING, PLAIN, SLEEVE, bushing type, 0.188 ID (front)	1	ea
01-3, 8		G503-7741418	774-1418	WO-641284	7741418	CAMSHAFT	1	ea
01-8		G503-7744320	774-4320	WO-644963	7744320	PLATE, thrust (optional w/PLATE, G740-7351413)	1	ea

	H1	G740-7351413 H001-5420521	012-2119	WO-802576	7351413 122119	PLATE, thrust (optional w/PLATE, G503-7744320)	1	ea
	H1	H001-7017681	5310-013-8489		138489	BOLT, MACHINE, cap, hex-hd, S, cd or zn-pltd, $\frac{3}{8}$ -16NC-3 x $\frac{3}{4}$	2	ea
	H6	H006-0282510			541410	WASHER, LOCK, steel, cd or zn-fin, style No. 1, 0.670 OD, $\frac{3}{8}$ in bolt size	2	ea
01-8		G503-7741407	774-1407	WO-641049	7741407	PLUG, expansion, S, $1\frac{3}{4}$ in diam, type 2	1	ea
						SPACER, thrust plate	1	ea
<b>0105.5-CAMSHAFT DRIVE AND TIMING GEAR COVER</b>								
01-5		G740-7372576		WO-643834	7372576	COVER, timing gear	1	ea
01-5	H1	H001-5421221	012-3520		123520	BOLT, MACHINE, hex-hd, S, cd or zn-pltd, $\frac{3}{8}$ -24NF-3 x $\frac{3}{4}$	3	ea
01-5	H1	H001-5421261	012-0647		120647	BOLT, MACHINE, cap, hex-hd, S, cd or zn-pltd, $\frac{3}{8}$ -24NF-3 x 1	1	ea
01-5	H1	H001-4167601	012-0369		120369	NUT, PLAIN, HEXAGON, lt, s-fin, S, cd or zn-pltd, $\frac{3}{8}$ -24NF-2	10	ea
	H1	H001-1312560			103197	STUD, S, plain-fin, $\frac{3}{8}$ -16NC-2 x $\frac{3}{8}$ -24NF-2 x $1\frac{13}{16}$ (superseded by STUD, H101-0113247)	6	ea
	H1	H101-0113247			113247	STUD, S, cd or zn-pltd, $\frac{3}{8}$ -16NC ( $\frac{5}{16}$ ) x $\frac{3}{8}$ -24NF-2 ( $\frac{5}{8}$ ) x $1\frac{1}{16}$ (supersedes STUD, 103197)	6	ea
01-5	H1	H001-7025741	012-0382		120382	WASHER, LOCK, med, S, cd or zn-pltd, $\frac{3}{8}$ in	10	ea
01-5		G503-7741427	774-1427	WO-641096	7741427	GASKET, front plate to cylinder block	1	ea
01-5		G503-7371159		WO-630365	7371159	GASKET, timing gear cover	1	ea
01-6, 8		G503-7741415	774-1415	WO-641282	7741415	GEAR, drive, camshaft (28 teeth)	1	ea
01-8		G503-7741419	2805-774-1419	WO-641283	7741419	GEAR, driven, camshaft (56 teeth)	1	ea
01-8	H1	H001-5421941	012-2260		122260	BOLT, MACHINE, hex-hd, 1020 steel, cd or zn-pltd, $\frac{7}{16}$ -14NC-3 x $1\frac{1}{8}$	1	ea
01-8	H1	H001-7017711	5310-013-6857		136857	WASHER, LOCK, S, cd or zn-fin, style No. 1, 0.740 OD, $\frac{7}{16}$ in bolt size	1	ea
01-8	H1	H001-0518022	012-4549		124549	KEY, Woodruff, alloy-S, $\frac{3}{16}$ x $\frac{3}{4}$ (No. 606 or 9) (camshaft driven gear)	1	ea
01-6	H1	H101-0124552	012-4552		124552	KEY, Woodruff, alloy-S, $\frac{3}{16}$ x 1 (No. 608 or 13) (camshaft drive gear)	1	ea
01-5		G740-7372578		WO-649823	7372578	PLATE, engine mounting, front	1	ea
01-5	H1	H001-5420521	012-2119		122119	BOLT, MACHINE, cap, hex-hd, S, cd or zn-pltd, $\frac{3}{8}$ -16NC-3 x $\frac{3}{4}$	3	ea
01-5	H1	H001-7017681	5310-013-8489		138489	WASHER, LOCK, steel, cd or zn-fin, style No. 1, 0.670 OD, $\frac{3}{8}$ in bolt size	3	ea
01-6		G740-7372579		WO-375917	7372579	RING, retaining, timing gear cover packing	1	ea
01-6		G503-7741414	774-1414	WO-641281	7741414	SPACER, camshaft drive gear	1	ea
01-8		G503-7741406	774-1406	WO-642520	7741406	WASHER, flat, $1\frac{15}{32}$ ID x $1-1/20$ OD x $\frac{5}{32}$ thk (camshaft driven gear)	1	ea



(1)	(2)	(3)	(4)	(5)	(6)	(7)	(8)	(9)
ILLUSTRATION NO.	REFERENCE SYMBOLS	ORDNANCE STOCK NO.	FEDERAL STOCK NO.	MFR'S PART NO.	ORDNANCE PART NO.	DESCRIPTION	QUANTITY INCORPORATED IN UNIT	UNIT OF ISSUE
<b>GROUP 01—ENGINE—Continued</b>								
<b>0106.1—OIL PUMP</b>								
		G503-7744331	774-4331	WIL-ER90139-3-4 WO-645629	7744331	BEARING, bushing type (shaft) (used w/PUMP, G740-7375072)	1	ea
				WIL-ER2471 WO-801761		BODY, w/BEARING, assy (A1) (used w/PUMP, G740-7375072)	1	ea
				EAT-ER3592 WO-649872		BODY, w/o BEARING (used w/PUMP, G740-7375072)	1	ea
01-9				EAT-ER3675 WO-804486		BODY, w/o BEARING (used w/PUMP, G740-7376907)	1	ea
01-4, 9		G503-7744332		EAT-ER5362 WO-641479	7744332	COVER, body	1	ea
01-9				EAT-90365/8 WO-641740	8673955	SCREW, lock washer, cap, hex-hd, S, 1/4-20NC-2 x 5/8	3	ea
01-9		G503-7744324	774-4324	EAT-ER8145 WO-641482	7744324	GASKET, cover	1	ea
01-4, 9		G740-7372587		WO-646147	7372587	GASKET, pump to cylinder block	1	ea
01-9		G744-5340173		MDR-507 WO-634813	5340173	GASKET, relief plunger spring retainer	1	ea
01-9		G503-7744333	2805-774-4333	EAT-ER90358 WO-641047	7744333	GEAR, driven (12 teeth)	1	ea
01-9	H1	H101-0141138	5315-213-8995	EAT-ER90359 WO-330964	7371279	PIN, stght, headless, S, 5/32 x 31/32 (superseded by PIN, H101-0141138)	1	ea
01-9				EAT-ER9041911/16 WO-642214	141138	PIN, stght, headless, S, 5/32 x 31/32 (supersedes PIN, G503-7371279)	1	ea
01-9				EAT-ER9041911/16 WO-642214		PIN, drive, 0.1875 x 11/16 (inner rotor to shaft) (for service use ROTOR, 8673956)	1	ea
		G740-7375072		EAT-ER10164 WO-649871	7375072	PUMP, oil, complete, assy (AL-body) (superseded by PUMP, G740-7376907) (used on engines through serial No. 86993)	1	ea
01-1, 4, 9		G740-7376907		EAT-ER10317 WO-804484	7376907	PUMP, oil, complete, assy (CI-body) (supersedes PUMP, G740-7375072) (used on engines after serial No. 86993)	1	ea
	H1	H101-9409118			9409118	BOLT, MACHINE, hex-hd, w/ext-lockwasher, S, cd or zn-pltd, 5/16-18NC-2 x 2 1/2	2	ea
	H1				431938	SCREW, lock washer, hex-hd, S, cd or zn-pltd, 5/16-18NC-3 x 1	1	ea

		G740-7416478		WO-805842	7416478	WASHER, rectangular, 0.406 diam hole, 0.660 ID, 0.940 OD, 0.0598 thk (used only w/PUMP, G740-7375072) (used on vehicles after serial No. 43949)	1	ea	
01-4, 9		G503-7371271		WIL-ER7154 WO-630390	7371271	RETAINER, relief plunger spring.....	1	ea	
01-9				EAT-ER4642J WO-641484		ROTOR, inner (for service use ROTOR, 8673956).....	1	ea	
01-9				EAT-ER2413 WO-641742	8673956	ROTOR, oil pump, assy (includes SHAFT) (for service only)	1	ea	
01-9				EAT-ER4425J WO-641483 EAT-ER6303 WO-641480	8673952	ROTOR, outer (for service use ROTOR, 8673956).....	1	ea	
01-4		G503-7371268		WO-630389	7371268	SHIM, relief plunger spring.....	1	ea	
		G740-7372586		WIL-ER7196 WO-645628	7372586	SPRING, relief plunger (superseded by SPRING, G758-8331246)	1	ea	
01-4, 9		G758-8331246		EAT-ER7397 WO-808385	8331246	SPRING, relief plunger (supersedes SPRING, G740-7372586)	1	ea	
01-4, 9		G503-7371275		EAT-ER7200 WO-630518	7371275	VALVE, relief.....	1	ea	
<b>0106.2-OIL FILTER</b>									
01-11				FR-5310-2 WO-A15441 WO-A3150		BODY, oil filter (used w/FILTER, H016-0540501).....	1	ea	
		G740-7375062	2940-737-5062	WO-802156	7375062	BOLT, welding, S, cd-pltd or tnd, $\frac{5}{16}$ -24NF x $\frac{3}{4}$ (support bracket)	1	ea	
		G740-7369880		WO-648438	7369880	BRACKET, mounting (cylinder head) (used w/FILTER G740-7375060)	1	ea	
		G740-7372590	5310-737-2590	TNP-C1108A-5610 -4	7372590	BOLT, ASSEMBLED WASHER, hex-hd, S, cd or zn-pltd, $\frac{5}{16}$ -10 x $\frac{5}{8}$ , Acme thread	3	ea	
				WO-800319		NUT, speed, "J" type for $\frac{5}{16}$ -10 (Acme bolt) (thin).....	2	ea	
		G740-7372591	5310-737-2591	WO-800320	7372591	NUT, speed "J" type for $\frac{5}{16}$ -10 (acme bolt) (thick)...	1	ea	
		G740-7369879	5310-736-9879	WO-667694	7369879	WASHER, flat, $1\frac{1}{2}$ ID, $1\frac{9}{16}$ OD, $\frac{3}{32}$ thk.....	2	ea	
01-10		G740-7369881	2940-736-9881	CU-28717 WO-802496	7369881	BRACKET, mounting (oil filter to mounting bracket on cylinder head) (for service use BRACKET, CU-28751U) (used on vehicles through serial No. 28132)	1	ea	
01-10	H1	H001-4029501	5310-012-0372		120372	NUT, PLAIN, SQUARE, reg, unfin, S, cd or zn-pltd, $\frac{1}{4}$ -20NC-2	1	ea	
	H1	H001-5128671			132273	SCREW, mach, fil-hd, S, cd or zn-pltd, $\frac{1}{4}$ -20NC-2 x 1 (superseded by SCREW, 132277)	1	ea	
01-10	H1	H001-5128691	5305-013-2277		132277	SCREW, MACH, fil-hd, S, cd or zn-pltd, $\frac{1}{4}$ -20NC-2 x $1\frac{1}{4}$ (supersedes SCREW, 132273)	1	ea	
				CU-28751U WO-120640		BRACKET, mounting, assy (oil filter to mounting bracket on cylinder head) (use for service only)	1	ea	

(1) ILLUSTRATION NO.	(2) REFERENCE SYMBOLS	(3) ORDNANCE STOCK NO.	(4) FEDERAL STOCK NO.	(5) MFR'S PART NO.	(6) ORDNANCE PART NO.	(7) DESCRIPTION	(8) QUANTITY INCORPORATED IN UNIT	(9) UNIT OF ISSUE
<b>GROUP 01—ENGINE—Continued</b>								
<b>0106.2—OIL FILTER—Continued</b>								
		G758-8328422		WO-805815	8328422	BRACKET, mounting, oil filter cylinder head (used on vehicles through serial No. 28132)	1	ea
	H1	H101-0271187			271187	NUT, hex, lt, ext-teeth lockwasher, S, cd or zn-pltd, 5/16-24NF-2B	2	ea
	H1	H001-5419821	012-0741		120741	SCREW, cap, hex-hd, S, cd or zn-pltd, 5/16-24NF-3 x 3/4	2	ea
		G758-8330271		WO-802087	8330271	BRACKET, support, oil filter, assy (used on vehicles after serial No. 28132)	1	ea
	H1	H001-5419841	012-0213		120213	BOLT, MACH, cap, hex-hd, S, cd or zn-pltd, 5/16-24NF-3 x 7/8	3	ea
	H1	H101-9409098			9409098	BOLT, MACH, lock washer, hex-hd, S, cd or zn-pltd, 5/16-18NC-2 x 7/8 (superseded by SCREW, 431938)	1	ea
	H1	H101-0271187			271187	NUT, hex, w/ext-teeth lock washer, S, cd or zn-pltd, 5/16-24NF-2B	4	ea
	H1				431938	SCREW, INTEGRAL, LOCK WASHER, hex-hd, S, cd or zn-pltd, 5/16-18NC-3 x 1 (supersedes BOLT, H101-9409098)	1	ea
01-11				FR-102153 WO-119987		CLAMP, engine oil filter body (used w/FILTER, H016-0540501)	2	ea
01-11		G509-7529093	2940-752-9093	FR-11559 WO-119986	7529093	COVER, oil filter (used w/FILTER, H016-0540501)	1	ea
		G507-6245928	2540-360-7962	FR-5241 WO-A15438	6245928	COVER, w/SCREW, WASHER, locking SPRING and GASKET, assy (used w/FILTER, H016-0540501)	1	ea
01-11	H16	H016-0540462		FR-C21P2	540462	ELEMENT, assy	1	ea
				FR-7631 FR-11582	7039934	Composed of: 1 ELEMENT 1 GASKET (used for service for FILTER, H016-0540501)		
01-10		G740-7375060		CU-12567 WO-801933	7375060	FILTER, oil, assy (superseded by FILTER, H016-0540501) (used on vehicles through serial No. 28132)	1	ea
01-1, 2, 11	H16	H016-0540501		FR-5664 WO-A1230	540501	FILTER, oil, assy (supersedes FILTER, G740-7375060) (used on vehicles after serial No. 28132)	1	ea
01-11	H1	H001-4139781	012-0399	FR-12384	120399	NUT, PLAIN, SQUARE, mach screw, S, cd or zn-pltd, 5/16-18NC-2 (cover attaching)	2	ea
01-11	H1	H001-5150831	5305-013-3129	FR-12420	133129	SCREW, MACH, rd-hd, S, cd or zn-pltd, 5/16-18NC-2 x 2 1/2	2	ea
01-11	H1	H101-0116120	5310-011-6120	FR-10113	116120	WASHER, LOCK, med, S, phos-ctd, 5/16 in	2	ea

01-11		G509-5308281	5330-530-8281	FR-11581 WO-119982	5308281	GASKET, cover bolt, cop, 0.750 OD, 0.540 ID, 0.062 thk (used w/FILTER, H016-0540501)	1	ea	
01-11		G749-7039934		FR-11582 WO-119953	7039934	GASKET, cover, ru, 5.125 OD, 4.375 ID, 0.058 thk (used w/FILTER, H016-0540501)	1	ea	
01-10		G740-7375059		CU-28649 WO-118291	7375059	GASKET, head (used w/FILTER, G740-7375060)	1	ea	
01-11				FR-100918		GROMMET, oil filter element (used w/FILTER, H016-0540501)	1	ea	
01-10		G518-7000997		WO-800802	7000997	GROMMET, ru, split, $1\frac{3}{32}$ ID (mounting bracket)	1	ea	
01-10		G740-7375058		CU-12567-2 WO-118288	7375058	HEAD, w/CARTRIDGE, assy (used w/FILTER, G740-7375060)	1	ea	
01-10				CU-F762 WO-118293		NUT, hex, No. 12 (0.216)-24NC	6	ea	
01-10				CU-F761 WO-118292		SCREW, fil-hd, No. 12 (0.216)-24NC x $\frac{3}{4}$	6	ea	
	H6	H006-0283195	012-7951		127951	PLUG, pipe, hex-hd, br, $\frac{1}{4}$ in (engine oil filter drain) (used w/FILTER, H016-0540501) (used on vehicles after serial No. 28132)	1	ea	
01-10	H6	H006-0283205	011-2578		112578	PLUG, PIPE, sq-hd, br, $\frac{1}{4}$ in (engine oil filter drain) (used w/FILTER, G740-7375060) (used on vehicles through serial No. 28132)	1	ea	
01-10		G740-7375057		CU-28648 WO-118290	7375057	RING, reinforcing (used w/FILTER, G740-7375060)	1	ea	
01-11		G179-5308280		FR-11580 WO-119985	5308280	SCREW, cap, hex-hd, S, oil filter cover, $\frac{7}{16}$ -20NF-1 x $1\frac{11}{16}$ (cover attaching) (used w/FILTER, H016-0540501)	1	ea	
01-11		G509-0389511		FR-11583 WO-119983	A308282	SPRING, tension, locking, cover bolt (used w/FILTER, H016-0540501)	1	ea	
01-10		G740-7375056		CU-28651U WO-118289	7375056	SUMP, oil filter (used w/FILTER, G740-7375060)	1	ea	
<b>0106.5--CRANKCASE VENTILATION</b>									
01-4, 12		G503-7371286		WO-A6919	7371286	BODY, crankcase, assy	1	ea	
		G503-7368267		WO-A5105	7368267	BRACKET, support, oil filter pipe	1	ea	
01-12		G503-7371272		WO-630299	7371272	GASKET, crankcase ventilator to valve spring cover	1	ea	
01-2, 4		G740-7375055		WO-801148	7375055	PIPE, oil filter	1	ea	
		G740-7372554	2805-737-2554	WO-A17842	7372554	SWIVEL, control wire (valve)	1	ea	
	H1	H101-0119981	011-9981		119981	PIN, COTTER, cd-pltd, S, $\frac{1}{16}$ x $\frac{3}{8}$ (used w/VALVE, G742-7372752)	1	ea	
	H1	H101-0137133	013-7133		137133	PIN, COTTER, split, S, pltd, $\frac{1}{16}$ x $\frac{1}{16}$ (used w/VALVE, G740-7372553)	1	ea	
	H1	H101-0132684	5305-013-2684		132684	SCREW, MACHINE, rd-hd, S, cd or zn-pltd, No. 6-32NC-2A x $\frac{3}{16}$	1	ea	
	H1	H001-7043681	5310-012-0392		120392	WASHER, FLAT, light series, S, cd or zn-pltd, $\frac{1}{4}$ in	1	ea	
	H1	H001-7043621	5310-012-0391		120391	WASHER, FLAT, med series, S, cd or zn-pltd, $\frac{3}{16}$ in (used w/VALVE, G742-7372752)	1	ea	

(1) ILLUSTRATION NO.	(2) REFER- ENCE SYMBOLS	(3) ORDNANCE STOCK NO.	(4) FEDERAL STOCK NO.	(5) MFR'S PART NO.	(6) ORDNANCE PART NO.	(7) DESCRIPTION	(8) QUANTITY INCOR- PORATED IN UNIT	(9) UNIT OF ISSUE
<b>GROUP 01—ENGINE—Continued</b>								
<b>0106.5—CRANKCASE VENTILATION—Continued</b>								
				WO-A17840	8393083	VALVE, crankcase ventilation, assy (supersedes VALVE, G740-7375172) (superseded by VALVE, G740-7410836) (used on vehicles after serial No. 11169)	1	ea
		G740-7372553		WO-A17841	7372553	VALVE, control, ventilation, w/o PIN (superseded by VALVE, G742-7372752)	1	ea
		G742-7372752	737-2752	ANB-SK950 WO-804276	7372752	VALVE, control, ventilation, w/o PIN (supersedes VALVE, G740-7372553)	1	ea
		G740-7375172		WO-648083	7375172	VALVE, control, w/PIN, assy (superseded by VALVE, 8393083) (used on vehicles through serial No. 11169)	1	ea
		G740-7410836		ANB-SK971 WO-804277	7410836	VALVE, control, w/PIN, assy (supersedes VALVE, 8393083)	1	ea
<b>0106.6—OIL LINES, LEVEL GAGE, AND OIL PAN</b>								
	H4	H104-0125928			125928	CLIP, closed, S, cd or zn-pltd, 1/6 in OD, hole for 3/8 in bolt (gear cover bolt)	1	ea
	H6	H006-0214315			137405	CONNECTOR, flared tube, inverted, br, 1/4 in tube, 1/8 in male pipe end (w/o NUT) (oil filter inlet line)	1	ea
	H6	H106-0444038	044-4038		444038	ELBOW, PIPE, br, automotive, 90 deg, extended, 1/8 in (oil filter inlet line to cylinder head)	2	ea
01-5		G740-7372557		WO-641050	7372557	FITTING, oil timing gear	1	ea
01-4		G740-7047950		WO-A17083	7047950	GAGE, bayonet type, oil level, w/CAP	1	ea
		G503-7371283		WO-639980	7371283	GASKET, oil pan	1	ea
		G503-7371284		WO-314338	7371284	GASKET, oil pan drain plug (superseded by GASKET, G740-7376904)	1	ea
		G740-7376904		VG-2129 WO-806515	7376904	GASKET, oil pan drain plug (supersedes GASKET, G503-7371284)	1	ea
		G503-7371267		WO-630398	7371267	GASKET, oil strainer support	1	ea
		G740-7372592		AHC-AF504-22 1/2 WO-800594	7372592	LINE, flexible, oil filter inlet, 22 1/2 lg (used w/FILTER, G740-7375060)	1	ea
		G758-8331932		WO-808359	8331932	LINE, flexible, oil filter, inlet, assy (used w/FILTER, H016-0540501)	1	ea
		G740-7369882		AHC-AF503-13 1/4 WO-802146 WO-809916	7369882	LINE, flexible, oil filter outlet, 13 1/4 lg (used w/FILTER, G740-7375060)	1	ea
						LINE, flexible, oil filter outlet, assy (used w/FILTER, H016-0540501)	1	ea

01-1, 4		G503-7371278	2805-495-9519	WO-A7238	7371278	PAN, oil, assy	1	ea
	H1	H101-0442695	044-2695		442695	BOLT, INTEGRAL LOCK WASHER, $\frac{5}{16}$ -18NC-2 x $\frac{5}{8}$ , S, plain finish (oil pan to block) (superseded by BOLT, H101-9409101)	14	ea
	H1	H101-9409101		WO-805771	9409101	BOLT, MACHINE, hex-hd, w/spring lock washer, S, cd or zn-pltd, $\frac{5}{16}$ -18NC-2 x $\frac{5}{8}$ (supersedes BOLT, H101-0442695)	14	ea
	H1	H101-0423562	042-3562		423562	BOLT, INTEGRAL LOCK WASHER, external tooth type, hexagon head, S, cd or zn-fin, $\frac{5}{16}$ -18NC-2 x 1 (superseded by BOLT, H101-0423563)	6	ea
	H1	H101-0423563	042-3563		423563	BOLT, INTEGRAL LOCK WASHER, ext-tooth, hex-hd, S, cd or zn-pltd, $\frac{5}{16}$ -18NC-2 x $\frac{1}{8}$ (supersedes BOLT, H101-0423562)	6	ea
01-4		G503-7388074		FM-GPW6727 WO-639979	7388074	PLUG, drain, S, $\frac{7}{8}$ in (oil pan)	1	ea
01-3, 4	H1	G503-7036578 H001-4417741 G758-8328413	012-0123	WO-630396	7036578 120123 8328413	STRAINER, oil, floating, engine, assy	1	ea
				WO-804404		PIN, COTTER, split, S, cd or zn-pltd, $\frac{1}{8}$ x $1\frac{1}{4}$	1	ea
						SUPPORT, floating oil strainer (optional w/SUPPORT, G503-7371264)	1	ea
01-4		G503-7371264	2805-495-9558	WO-630397	7371264	SUPPORT, floating oil strainer (optional w/SUPPORT, G758-8328413)	1	ea
	H1	H101-0189691	018-9691		189691	BOLT, INTEGRAL LOCK WASHER, header-pt, hex-hd, S, $\frac{5}{16}$ -18NC-2 x $\frac{3}{4}$ (superseded by SCREW, H101-0451975)	2	ea
	H1	H101-0451975			451975	SCREW, MACHINE, hexagon head, w/spring lock washer, S, cd or zn-pltd, $\frac{5}{16}$ -18NC-3 x $\frac{3}{4}$ (supersedes BOLT, H101-0189691)	2	ea
		G503-7371394		WO-636438	7371394	<b>0108-MANIFOLD AND HEAT CONTROL</b>		
		G503-0194021		WO-638640		BEARING, heat control valve shaft	2	ea
01-13		G503-7371388		WO-634811	7371388	GASKET, intake and exhaust manifold	1	ea
01-13		G503-7371392		WO-637210	7371392	GASKET, intake to exhaust manifold	1	ea
01-13		G503-7371396		WO-637211	7371396	LEVER, counterweight, heat control valve	1	ea
01-13	H1	H001-4035661	012-0361		120361	KEY, heat control valve lever	1	ea
						NUT, PLAIN, HEXAGON, S, cd or zn-pltd, No. 10 (0.190)-24NC-2	1	ea
01-13	H1	H001-5148281	5305-012-0910		120910	SCREW, MACHINE, round head, S, cd or zn-fin, No. 10-24NC-2A x $\frac{3}{4}$	1	ea
01-13				WO-A659		MANIFOLD, exhaust	1	ea
01-1, 3, 4		G740-7375054		WO-801826	7375054	MANIFOLD, exhaust, assy	1	ea
				WO-A565		MANIFOLD, exhaust, w/BEARING, assy	1	ea
01-13				WO-800098	7994936	MANIFOLD, intake	1	ea

(1) ILLUSTRATION NO.	(2) REFER- ENCE SYMBOLS	(3) ORDNANCE STOCK NO.	(4) FEDERAL STOCK NO.	(5) MFR'S PART NO.	(6) ORDNANCE PART NO.	(7) DESCRIPTION	(8) QUANTITY INCOR- PORATED IN UNIT	(9) UNIT OF ISSUE
<b>GROUP 01—ENGINE—Continued</b>								
<b>0108—MANIFOLD AND HEAT CONTROL</b>								
<b>—Continued</b>								
01-13	H1	H001-0725270	050-3354	WO-800366	8673498 503354	MANIFOLD, intake and exhaust, assy.....	1	ea
	H1	H101-0111318			111318	NUT, SELF-LOCKING, HEXAGON, brass, plain, 3/8-24NF-3	7	ea
01-13	H1	H101-0178453			178453	STUD, S, cd or zn-pltd, 3/8-16NC (9/16) x 3/8-24NF-2 (5/8) x 1 1/16 (superseded by STUD, H101-0178453)	2	ea
	H1	H001-1310620		WO-A564	112572	STUD, S, cd or zn-pltd, 3/8-16NC (9/16) x 3/8-24NF-2 (5/8) x 1 9/16 (supersedes STUD, H101-0111318)	2	ea
01-1, 4		G503-7371389		WO-344732	7371389	WASHER, S, 1 3/32 ID, 1 3/16 OD, 1/8 to 3/16 thk.....	2	ea
01-13	H1	G740-7372562		WO-800365	7372562	MANIFOLD, intake, assy.....	1	ea
	H1	H101-0423562	042-3562		423562	BOLT, INTEGRAL LOCK WASHER, external tooth type, hexagon head, S, cd or zn-fin, 5/16-18NC-2 x 1	4	ea
48	H6	H006-0283569	014-3933		143933	PLUG, PIPE, sq-hd, CI, cd or zn-finish, 1/4-18NPT (primer holes in manifold) (used on vehicles after serial No. 47771)	2	ea
01-13		G503-7371391		WO-637206	7371391	SHAFT, heat control valve.....	1	ea
01-13		G740-7372563		CHV-S-2843 WO-647042	7372563	SPRING, heat control valve (Bi-metal).....	1	ea
01-13		G503-7371395		WO-639743	7371395	STOP, heat control valve spring.....	1	ea
01-4		G503-7371393		WO-636439	7371393	VALVE, heat control.....	1	ea
01-13		G503-7371398		WO-637209	7371398	WASHER, S, 0.310 ID, 1 1/2 OD, 1/8 thk (heat control valve spring)	1	ea

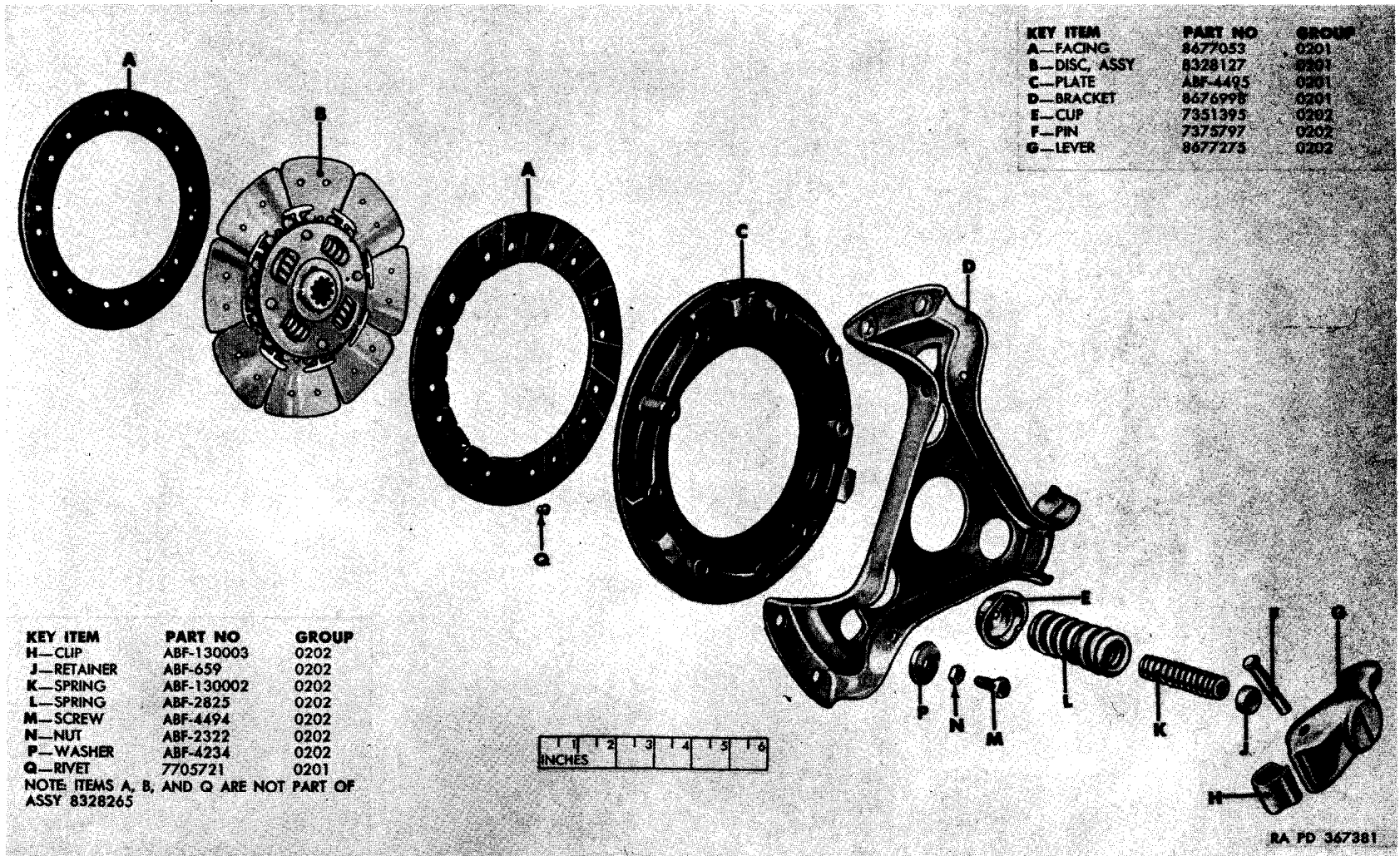
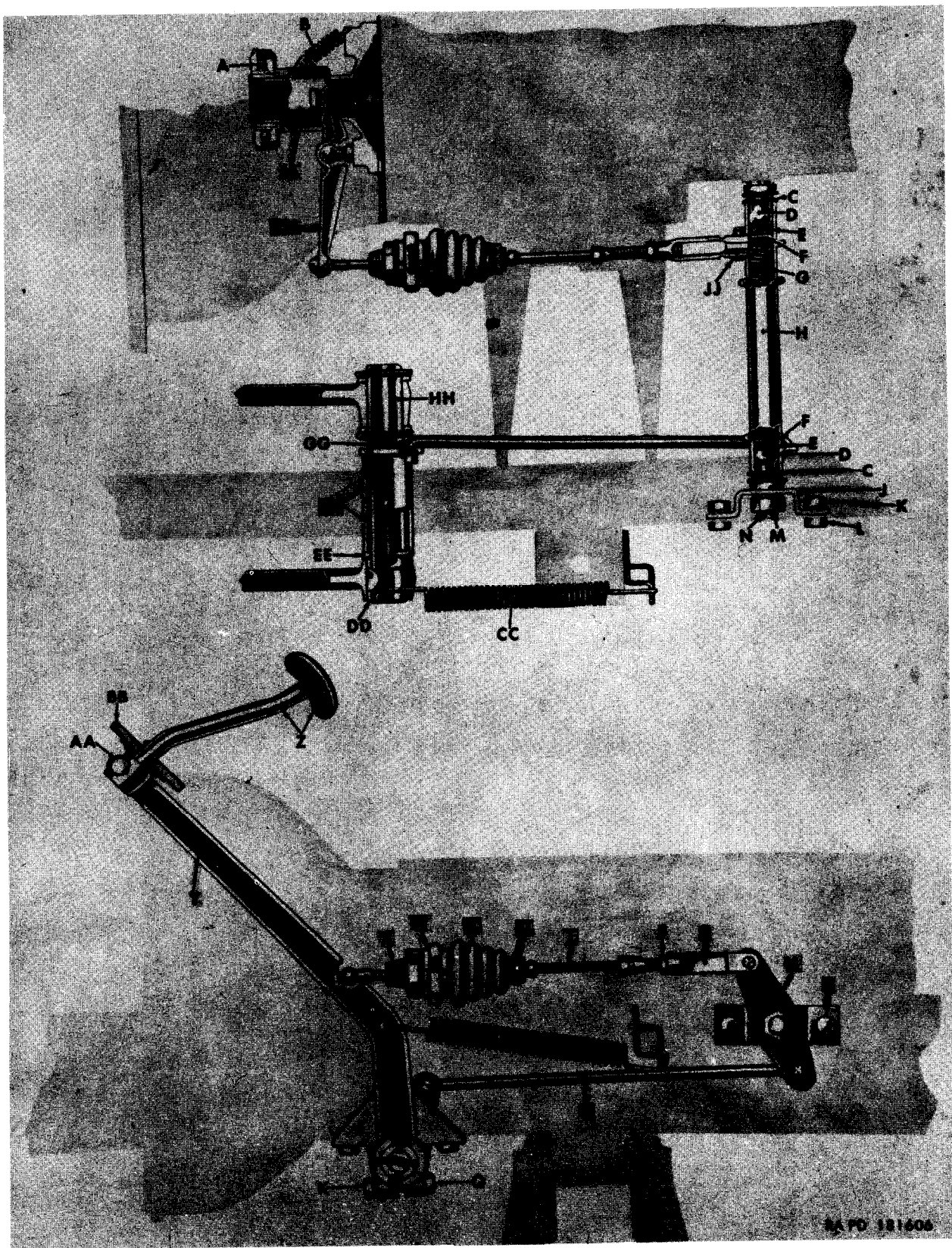


Figure 02-1. Clutch, assy (8328265)—exploded view





SA PD 181606

Figure 02-2. Clutch linkage

Key	Item	Part No.	Group	Key	Item	Part No.	Group
A	-BEARING.....	710203	0202	U	-CLAMP.....	8328434	0202
B	-SPRING.....	7371366	0202	V	-SEAL.....	8332072	0202
C	-SEAL.....	7371337	0202	W	-CLAMP.....	8328435	0202
D	-STUD.....	5246557	0202	X	-SUPPORT.....	8328439	0202
E	-WASHER.....	834550	0202	Y	-PEDAL, ASSY.....	7371342	0202
F	-RETAINER.....	7371340	0202	Z	-PAD, ASSY.....	7372825	0202
G	-SPRING.....	5246558	0202	AA	-BOLT.....	9409103	0202
H	-LEVER.....	7372823	0202	BB	-PAD.....	8328436	0202
J	-BRACKET.....	7368260	0202	CC	-SPRING.....	8387940	0202
K	-NUT.....	271187	0202	DD	-KEY.....	124549	0202
L	-SCREW.....	123473	0202	EE	-WASHER.....	502242	0202
M	-WASHER.....	120383	0202	FF	-BEARING.....	7372840	1206
N	-NUT.....	451403	0202	GG	-SHAFT.....	7340237	1206
P	-ROD.....	7372826	0202	HH	-BAR.....	8677304	1204.1
Q	-SCREW.....	181618	0202	JJ	-PIN.....	544190	0202
R	-YOKE.....	7371363	0202	KK	-FORK.....	7371338	0202
S	-NUT.....	120368	0202	LL	-CARRIER.....	7372822	0202
T	-CABLE.....	8328129	0202				

Figure 02-2. Clutch linkage—legend

(1)	(2)	(3)	(4)	(5)	(6)	(7)	(8)	(9)
ILLUSTRATION NO.	REFERENCE SYMBOLS	ORDNANCE STOCK NO.	FEDERAL STOCK NO.	MFR'S PART NO.	ORDNANCE PART NO.	DESCRIPTION	QUANTITY INCORPORATED IN UNIT	UNIT OF ISSUE
						<b>GROUP 02—CLUTCH</b>		
						<b>0201—DISK AND PRESSURE PLATE</b>		
		G503-7371368		WO-639578	7371368	BEARING, pilot, bushing type.....	1	ea
				ABF-4278	8677055	BRACKET, clutch (used on engines through serial No. 74419)	1	ea
				APB-4278				
				WO-649971				
02-1				ABF-657	8676998	BRACKET, clutch (0532) (used on engines after serial No. 74419)	1	ea
				APB-657				
				WO-640578				
02-1		G740-8328127		WO-804805	8328127	DISK, clutch driven, w/HUB, assy (used on engines after serial No. 74419)	1	ea
		G740-7372661		B&B-11966	7372661	DISK, clutch driven, w/HUB, assy (used on engines through serial No. 74419)	1	ea
				WO-802410				
02-1				B&B-6170	8677053	FACING, clutch.....	2	ea
				WO-802411				
02-1		G741-7705721		B&B-3874	7705721	RIVET, tubular, fl-hd, br, $\frac{3}{64}$ diam, $1\frac{3}{64}$ lgh.....	16	ea
				WO-641695				
02-1				ABF-4495		PLATE, pressure (used on engines after serial No. 74419)....	1	ea
				WO-805017				
				ABF-4374		PLATE, pressure (used on engines through serial No. 74419)	1	ea
				WO-801617				
02-1		G740-8328265		ABF-10000	8328265	PLATE, pressure, w/COVER, assy (used on engines after serial No. 74419)	1	ea
				WO-804746				
		G740-7372664		ABF-8501-38	7372664	PLATE, pressure, w/COVER, assy (used on engines through serial No. 74419)	1	ea
				WO-802379				
		G503-7324841	5305-360-7988	WO-630129	7324841	SCREW, cap, hex-hd, $\frac{5}{16}$ -18NC-2 x $1\frac{1}{16}$ .....	6	ea
	H1	H001-7018711	5310-012-0638		120638	WASHER, LOCK, S, cd or zn-finish, style No. 9, 0.601 OD, $\frac{5}{16}$ in bolt size	6	ea
						<b>0202—RELEASE AND CONTROLS</b>		
	H12	H012-0712167			712167	BEARING, ball, clutch release, JAN 999-13098-0000 (SR, 1.500 bore, 2.8125 OD, 0.6820 width) (used on engines through serial No. 74419)	1	ea
02-2	H12	H012-0710203		AB-A9351	710203	BEARING, ball, clutch release, AB-935-s (SR, 1.500 bore, 2.8125 OD, 0.625 width) (optional w/BEARING 700988) (used on engines after serial No. 74419)	1	ea
				WO-635529				

	H12	H012-1001110		ND-CT24 WO-645249 NC-6048 WO-649389	700988	BEARING, ball, JAN 999-13024-0000 (SR, clutch release, 1.5000 bore, 2.8125 OD, 0.625 width) (optional w/BEARING H012-0710203) (used on engines after serial No. 74419)	1	ea
02-2		G503-7368260	2520-736-8260	WO-A180	7368260	BRACKET, control tube stud (on frame)	1	ea
02-2	H1	H101-0271187			271187	NUT, hex, lt, ext-teeth-lockwasher, S, cd or zn-pltd, $\frac{5}{16}$ -24NF-2B (supersedes NUT 120368 and WASHER 120214)	2	ea
	H1	H001-4167561	012-0368		120368	NUT, PLAIN, HEXAGON, reg, s-fin, S, $\frac{5}{16}$ -24NF-2 (superseded by NUT H101-0271187)	2	ea
02-2	H1	H001-5419781	012-3473		123473	SCREW, hex-hd, S, cd or zn-pltd, $\frac{5}{16}$ -24NF-3 x $\frac{5}{8}$	2	ea
	H1	H001-7025711	5310-012-0214		120214	WASHER, LOCK, S, med, cd or zn-pltd, $\frac{3}{16}$ in (superseded by NUT H101-0271187)	2	ea
02-2		G740-8328129		TRU-SA4126 WO-805935	8328129	CABLE, control lever (used on engines after serial No. 74419)	1	ea
		G740-7372821		WO-640124	7372821	CABLE, control lever (used on engines through serial No. 74419)	1	ea
				WO-807488		CABLE, control, w/SEAL, assy (used on engines after serial No. 74419)	1	ea
02-2		G740-7372822		WO-644366	7372822	CARRIER, release bearing	1	ea
02-2	H6	H006-8328435			8328435	CLAMP, hose, $1\frac{3}{8}$ in (control tube lever release cable seal) (used on engines after serial No. 74419)	1	ea
02-2	H6	H006-8328434			8328434	CLAMP, hose, $\frac{1}{2}$ in (control tube lever release cable seal) (used on engines after serial No. 74419)	1	ea
02-1				ABF-130003 WO-806012		CLIP, pressure spring release lever (used on engines after serial No. 74419)	3	ea
				ABF-4468 ARQ-4468 WO-801698	8677066	CLIP, pressure spring release lever (used on engines through serial No. 74419)	3	ea
02-1		G503-7351395		ABF-283 WO-638157	7351395	CUP, pressure plate spring (used on engines after serial No. 74419)	3	ea
				ABF-4282 WO-800728		CUP, pressure plate spring (used on engines through serial No. 74419)	3	ea
	H16	H016-0504203	050-4203		504203	FITTING, lubr, hyd type, style No. 1, S, cd or zn-fin, $\frac{1}{4}$ -28NF male, ball check valve	1	ea
02-2		G503-7371338		WO-630112	7371338	FORK, release	1	ea
02-2		G503-7371339		WO-630068	7371339	FULCRUM, clutch release lever	1	ea
		G740-7372823		WO-642624	7372823	LEVER, control, w/TUBE (welded) Composed of: 1 LEVER 1 LEVER 1 TUBE		
	H1	H001-4417741	012-0123	WO-642623 WO-A175 WO-A174	120123	PIN, COTTER, split, S, cd or zn-pltd, $\frac{1}{8}$ x $1\frac{1}{4}$	2	ea

(1) ILLUSTRATION NO.	(2) REFERENCE SYMBOLS	(3) ORDNANCE STOCK NO.	(4) FEDERAL STOCK NO.	(5) MFR'S PART NO.	(6) ORDNANCE PART NO.	(7) DESCRIPTION	(8) QUANTITY INCORPORATED IN UNIT	(9) UNIT OF ISSUE
<b>GROUP 02—CLUTCH—Continued</b>								
<b>0202—RELEASE AND CONTROLS—Continued</b>								
02-1				ABF-688 WO-640112	8677275	LEVER, pressure spring release (used on engines after serial No. 74419)	3	ea
				ABF-4279 WO-649972		LEVER, pressure spring release (used on engines through serial No. 74419)	3	ea
		G740-7372824		WO-A6359	7372824	PAD, draft pedal shank (superseded by PAD, G758-8328436)	1	ea
02-2		G758-8328436		WO-807208	8328436	PAD, draft pedal shank (supersedes PAD, G740-7372824)	1	ea
02-2		G740-7372825	2540-737-2825	WO-800760	7372825	PAD, pedal, assy (welded)	1	ea
	H1	H001-5419221	012-2027		122027	BOLT, MACHINE, hex-hd, S, cd or zn-pltd, $\frac{5}{16}$ -18NC-3 x $1\frac{1}{4}$ (superseded by BOLT, H101-9409103)	1	ea
02-2	H1	H101-9409103			9409103	BOLT, MACHINE, hex-hd, w/spring lock washer, S, cd or zn-pltd, $\frac{5}{16}$ -18NC-2 x $1\frac{1}{4}$ (supersedes BOLT, 122027 and WASHER, 120214)	1	ea
	H1	H001-7025711	5310-012-0214		120214	WASHER, LOCK, S, med, cd or zn-pltd, $\frac{5}{16}$ in (superseded by BOLT, 9409103)	1	ea
02-2; 18-3		G503-7371342	2540-495-9499	WO-A10269	7371342	PEDAL, assy	1	ea
	H1	H101-0123798	012-3798		123798	BOLT, MACHINE, hex-hd, S, cd or zn-pltd, $\frac{5}{16}$ -24NF-3 x $1\frac{3}{4}$ (superseded by SCREW, 181618)	1	ea
02-2	H1	H001-0518022	012-4549		124549	KEY, WOODRUFF, S, $\frac{3}{16}$ x $\frac{3}{4}$ (No. 606 or 9) (clutch pedal to shaft)	1	ea
	H1	H001-4167561	012-0368		120368	NUT, PLAIN, HEXAGON, reg, s-fin, S, $\frac{5}{16}$ -24NF-2 (superseded by NUT, H101-0271187)	1	ea
02-2	H1	H101-0271187			271187	NUT, hex, w/external-lock washer, Keps type, $\frac{5}{16}$ -24NF-3 (supersedes NUT, 120368 and WASHER, 120214)	1	ea
02-2	H1	H001-5454001	018-1618		181618	SCREW, MACHINE, hex-hd, S, 85,000 psi yield strength, cd or zn-pltd, $\frac{5}{16}$ -24NF-3 x $1\frac{3}{4}$ (supersedes BOLT, H101-0123798)	1	ea
	H1	H001-7025711	5310-012-0214		120214	WASHER, LOCK, S, med, cd or zn-pltd, $\frac{5}{16}$ in (superseded by NUT, H101-0271187)	1	ea
02-1		G503-7375797		ABF-287 WO-638159	7375797	PIN, pivot, clutch (used on engines after serial No. 74419)	3	ea

			ABF-4285 WO-800040	8676974	PIN, pivot, clutch (used on engines through serial No. 74419)	3	ea
02-1			ABF-659 WO-804744		RETAINER, auxiliary spring (used on engines after serial No. 74419)	3	ea
			ABF-4459 WO-802381	8677084	RETAINER, auxiliary spring (used on engines through serial No. 74419)	3	ea
02-2	G503-7371340		WO-A177	7371340	RETAINER, control tube spring	2	ea
02-2	G740-7372826		WO-640123	7372826	ROD, pedal, release	1	ea
	H1	H101-0119117	011-9117	119117	PIN, COTTER, split, S, cd or zn-pltd, $\frac{3}{32}$ x $\frac{1}{2}$	2	ea
			ABF-4286 WO-649976		SCREW, hex-hd, alloy-S, cd-pltd, $\frac{1}{4}$ -28NF-2 x $\frac{5}{8}$ (adjusting, pressure spring lever) (used on engines through serial No. 74419)	3	ea
02-1			ABF-4494 WO-805014		SCREW, hex-hd, alloy-S, $\frac{1}{4}$ -28NF-2 x $\frac{5}{8}$ (adjusting, pressure spring lever) (used on engines after serial No. 74419)	3	ea
			ABF-4287 WO-649977		NUT, lock, hex, S, cd-pltd, $\frac{1}{4}$ -28NF-2 (used on engines through serial No. 74419)	3	ea
02-1			ABF-2322 WO-805016		NUT, lock, hex, S, $\frac{1}{4}$ -28NF-2 (used on engines after serial No. 74419)	3	ea
02-1			ABF-4234 WO-805015		WASHER, plain, S, 0.328 ID x 1.125 OD x 0.076-0.069 thk (used on engines after serial No. 74419)	3	ea
			ABF-4466 WO-801641		WASHER, S, cd-pltd, $\frac{9}{32}$ ID x 1 OD x 0.057-0.076 thk (used on engines through serial No. 74419)	3	ea
	G740-8328130		WO-804402	8328130	SEAL, cable, clutch release (ru) (superseded by SEAL, G740-8332072)	1	ea
02-2	G740-8332072		WO-808936	8332072	SEAL, cable, clutch release (ru) (supersedes SEAL, G740-8328130)	1	ea
02-2	G503-7371337		WO-A887	7371337	SEAL, dust, control tube	2	ea
02-1			ABF-130002 WO-804745		SPRING, auxiliary pressure (used on engines after serial No. 74419)	3	ea
			ABF-4458 WO-802380	8677083	SPRING, auxiliary pressure (used on engines through serial No. 74419)	3	ea
02-2	G740-7697454		WO-650684	7697454	SPRING, clutch and brake pedal shank draft pad	1	ea
02-2	G104-5246558	524-6558	WO-A178	5246558	SPRING, compression, S, 0.063 diam wire, $\frac{9}{16}$ OD, 8 coils, $1\frac{3}{4}$ free lgh (control tube)	1	ea
02-1			ABF-2825 WO-638156		SPRING, pressure (used on engines after serial No. 74419)	3	ea
			ABF-4280 AVM-4280 WO-649975	8673972	SPRING, pressure (used on engines through serial No. 74419)	3	ea
02-2	G503-7371366		WO-630117	7371366	SPRING, release bearing carrier	1	ea
02-2	G503-8387940		WO-630593	8387940	SPRING, tension, 40 coils, $5\frac{7}{8}$ overall lgh, retracting, pedal	1	ea

(1) ILLUSTRATION NO.	(2) REFERENCE SYMBOLS	(3) ORDNANCE STOCK NO.	(4) FEDERAL STOCK NO.	(5) MFR'S PART NO.	(6) ORDNANCE PART NO.	(7) DESCRIPTION	(8) QUANTITY INCORPORATED IN UNIT	(9) UNIT OF ISSUE
<b>GROUP 02-CLUTCH-Continued</b>								
<b>0202-RELEASE AND CONTROLS-Continued</b>								
02-2		G503-5246557	2520-524-6557	WO-A181	5246557	STUD, ball, S, 1/16-14NC-2 (control tube)	2	ea
02-2					451403	NUT, hex, S, cd or zn-pltd, 1/16-14NC-2 (supersedes NUT, H101-0118616)	1	ea
	H1	H101-0118616	011-8616		118616	NUT, PLAIN, HEXAGON, S, parkerized, 1/16-14NC-2, light series (superseded by NUT, 451403)	1	ea
02-2	H1	H001-7025771	5310-012-0383		120383	WASHER, LOCK, 1/16 in, medium, S, cd or zn-pltd	1	ea
02-2		G758-8328439		WO-A179	8393045	STUD, clutch control ball, assy	1	ea
				WO-807471	8328439	SUPPORT, seal, bell housing (used on engines after serial No. 74419)	1	ea
02-2	H9	H009-0834550			834550	WASHER, felt, 5/8 OD x 1/4 thk (control tube)	2	ea
02-2	H1	H101-0502242	5310-050-2242		502242	WASHER, FLAT, plain, S, 1 1/32 ID, 1 3/4 OD, 3/64 thk (pedal shaft) (supersedes WASHER, G740-7372827)	1	ea
		G740-7372827	5310-456-6298	WO-A498	7372827	WASHER, FLAT, S, 1 1/32 ID, 1 1/2 OD, 1/8 thk (pedal shaft) (superseded by WASHER, H101-0502242)	1	ea
		G740-7375065		WO-A6360	7375065	WASHER, plain, S, 1 1/32 ID, 1 3/4 OD, 0.074 in thk (brake pedal shank draft pad)	1	ea
02-2		G503-7371363	5340-737-1363	WO-632177	7371363	YOKE, rod end, adjustable, control cable	1	ea
02-2	H1	H001-4167561	012-0368		120368	NUT, PLAIN, HEXAGON, reg, s-fin, S, 5/16-24NF-2	1	ea
		G503-7326118	5315-732-6118	WO-339043	7326118	PIN, clevis, S, 5/16 x 2 7/32 (superseded by PIN, H101-0544190)	1	ea
	H1	H101-0119117	011-9117		119117	PIN, COTTER, split, S, pltd, 3/32 x 1/2	1	ea
02-2	H1	H101-0544190	054-4190		544190	PIN, STRAIGHT, HEADED, clevis, S, 5/16 x 2 7/32 (supersedes PIN, G503-7326118)	1	ea



**This Page Blank Intentionally**



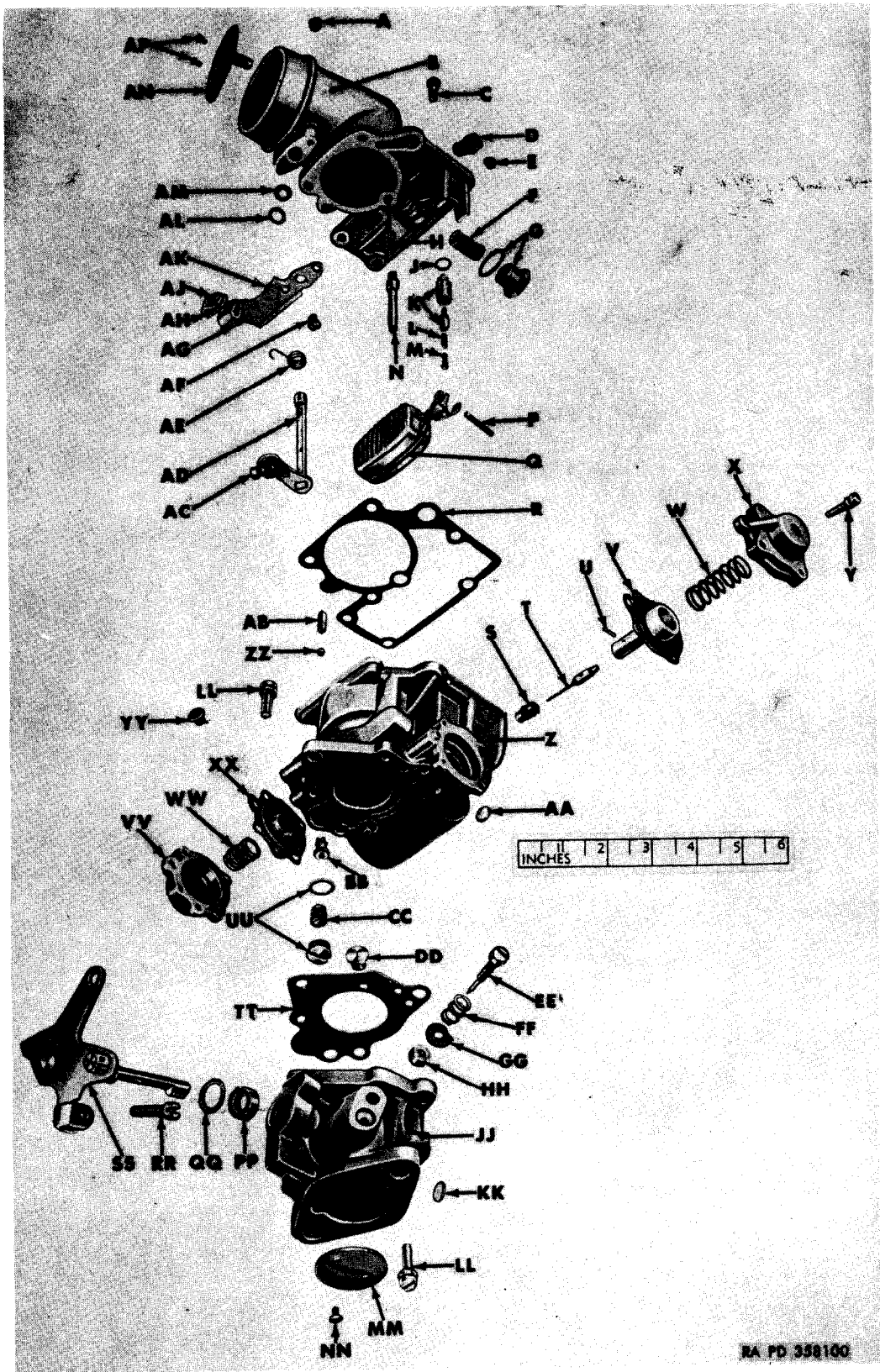


Figure 03-1. Carburetor assy (7372509)—exploded view

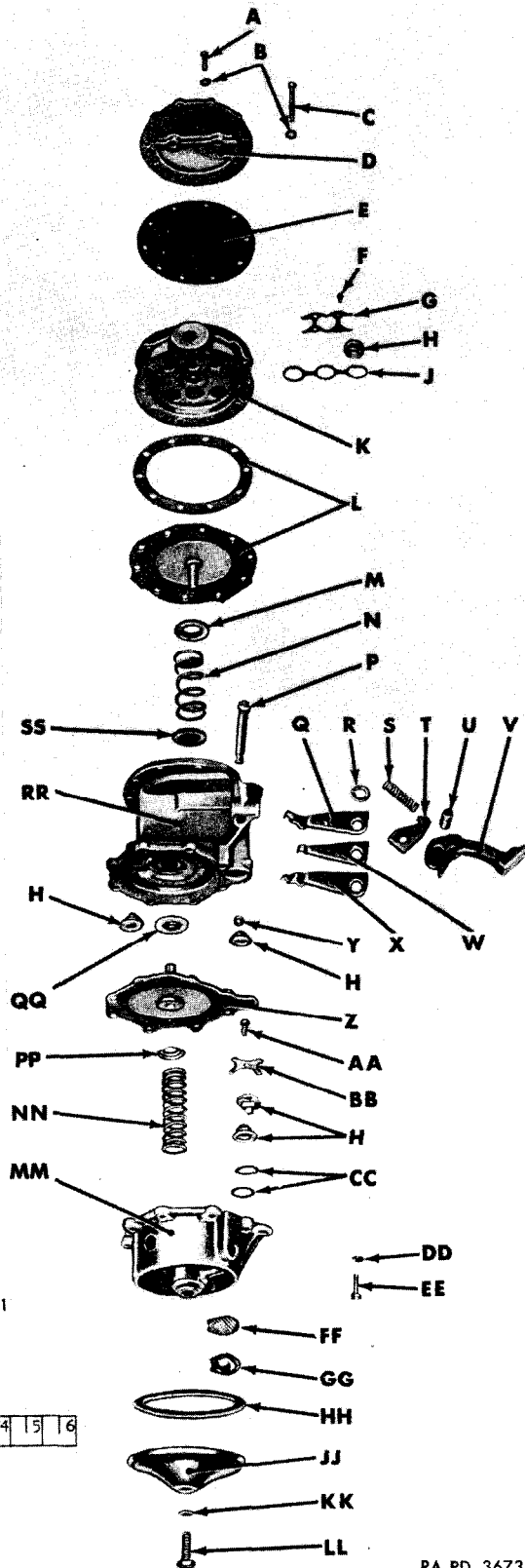
Key	Item	Part No.	Key	Item	Part No.
A	—PLUG.....	7372525	HH	—SEAL.....	7372529
B	—BODY.....	7372501	JJ	—BODY.....	7372503
C	—SCREW.....	5293063	KK	—PLUG.....	CAR-47-23
D	—PLUG.....	7324058	LL	—SCREW.....	A293060
E	—PLUG.....	7324060	MM	—PLATE.....	7372524
F	—STRAINER.....	5293034	NN	—SCREW.....	A346734
G	—NUT, ASSY.....	7372521	PP	—SEAL.....	7372530
H	—TUBE.....	7372536	QQ	—RETAINER.....	7372541
J	—GASKET.....	5293029	RR	—SCREW.....	5293056
K	—VALVE, ASSY.....	7372538	SS	—SHAFT, ASSY.....	7372532
L	—SPRING.....	CAR-61-207	TT	—GASKET.....	7372515
M	—PIN.....	7378099	UU	—PLUG, ASSY.....	7378081
N	—TUBE.....	7372537	VV	—HOUSING.....	7372517
P	—AXLE.....	7372500	WW	—SPRING.....	7372535
Q	—FLOAT, ASSY.....	7372513	XX	—DIAPHRAGM.....	7372512
R	—GASKET.....	7372514	YY	—PLUG.....	CAR-47-11
S	—JET.....	7372519	ZZ	—BALL.....	5346738
T	—ROD.....	7372526	AB	—WEIGHT.....	7372542
U	—PIN.....	7372522	AC	—SCREW.....	131958
V	—DIAPHRAGM.....	7372511	AD	—SHAFT, ASSY.....	7372531
W	—SPRING.....	7372534	AE	—SPRING.....	7372533
X	—HOUSING.....	7372518	AF	—SCREW.....	7343368
Y	—SCREW.....	7372527	AG	—NUT.....	120619
Z	—BODY, ASSY.....	7372502	AH	—CLAMP.....	7372510
AA	—PLUG.....	CAR-11B134	AJ	—SCREW.....	120910
BB	—BALL.....	7412959	AK	—BRACKET, ASSY.....	7372508
CC	—STRAINER.....	A281437	AL	—WASHER.....	7372539
DD	—PLUG.....	5312057	AM	—SEAL.....	7372528
EE	—SCREW.....	5346736	AN	—PLATE, ASSY.....	7372523
FF	—SPRING.....	5346737	AP	—SCREW.....	5281457
GG	—WASHER.....	7372540			

Note: All parts listed are in group 0301.

Figure 03-1. Carburetor assy (7372509)—exploded view—legend

KEY ITEM	PART NO
A—SCREW	132124
B—WASHER	120217
C—BOLT	132148
D—COVER	7016403
E—DIAPHRAGM	7001905
F—BOLT	121839
G—RETAINER	7010695
H—VALVE	7416495
J—GASKET	7001906
K—BODY	7375381
L—DIAPHRAGM	8332534
M—CAP	5214746
N—SPRING	5323138
P—PIN	5214889
Q—LINK	AC-1521908
R—WASHER	5214743
S—SPRING	A 292967
T—SPACER	5292984
U—BEARING	A 214741
V—ARM	7375382
W—LINK	AC-1521906
X—LINK	AC-1521907
Y—GASKET	AC-5591830
Z—DIAPHRAGM	8332535
AA—SCREW	132900
BB—RETAINER	5214750
CC—GASKET	5214752
DD—WASHER	120217
EE—SCREW	132119
FF—SCREEN	5214758
GG—RETAINER	5214759
HH—GASKET	5214757
JJ—PLATE	6170220
KK—GASKET	5214764
LL—BOLT	123450
MM—BODY	7375383
NN—SPRING	AC-5590533
PP—RETAINER	5214761
QQ—SEAL	6184238
RR—BODY, ASSY	AC-5592293
SS—SEAL	AC-5592331

NOTE: ALL PARTS ARE LISTED IN GROUP 0302.1



RA PD 367394

Figure 03-2. Fuel and vacuum pump (8330132)—exploded view

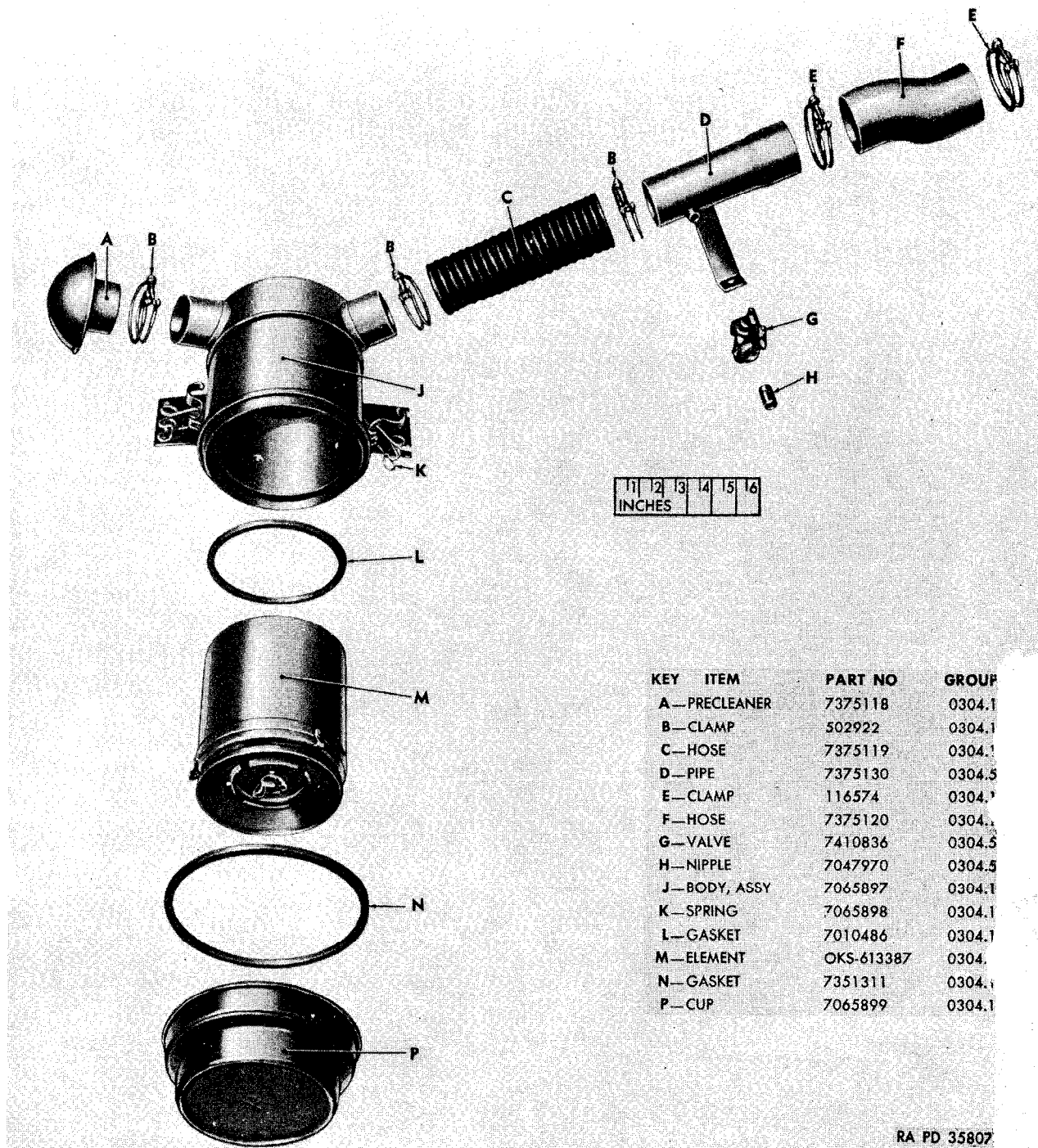
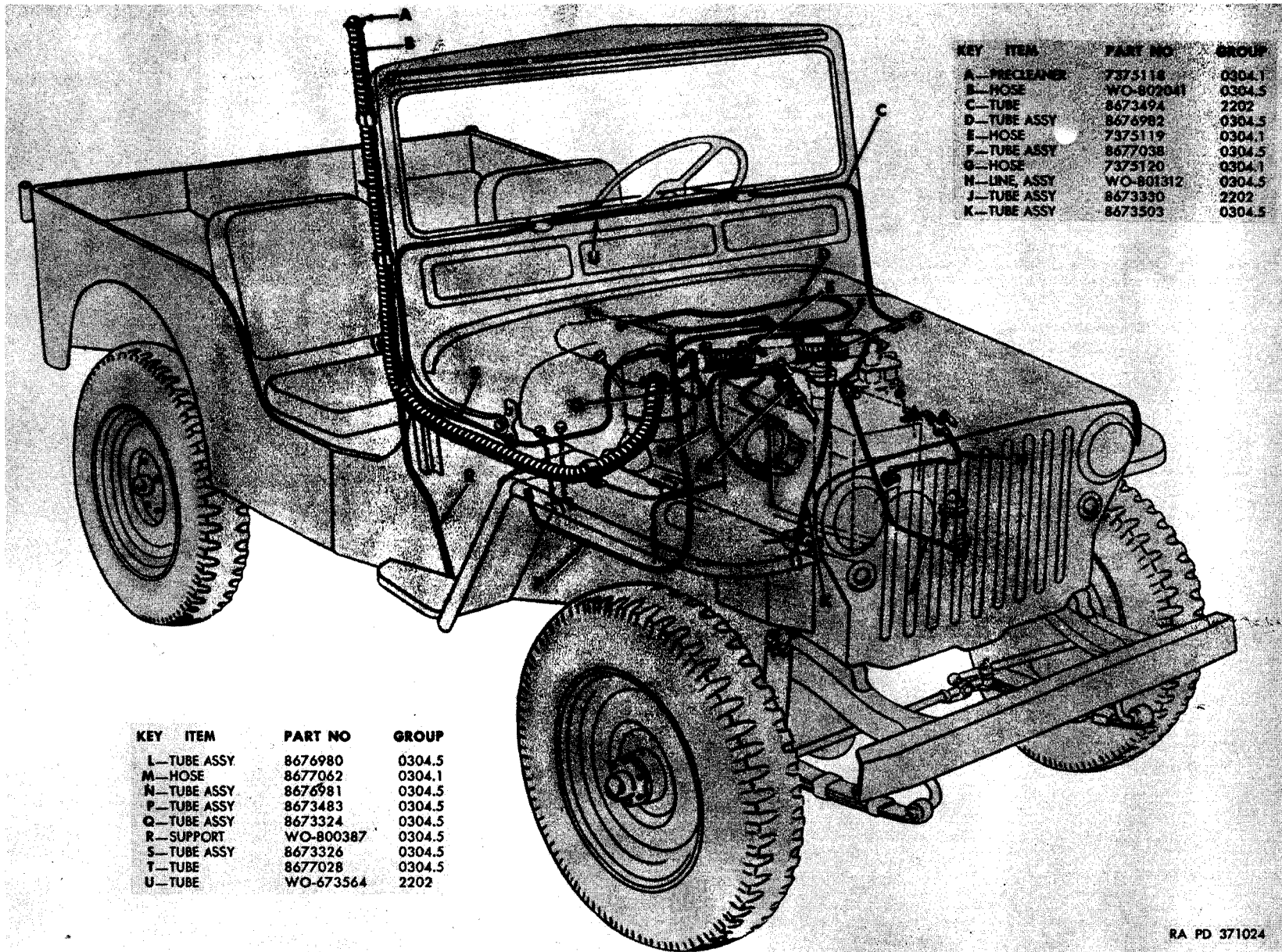


Figure 03-3. Air cleaner (7047962)—exploded view



RA PD 371024

Figure 08-4. Ventilating system

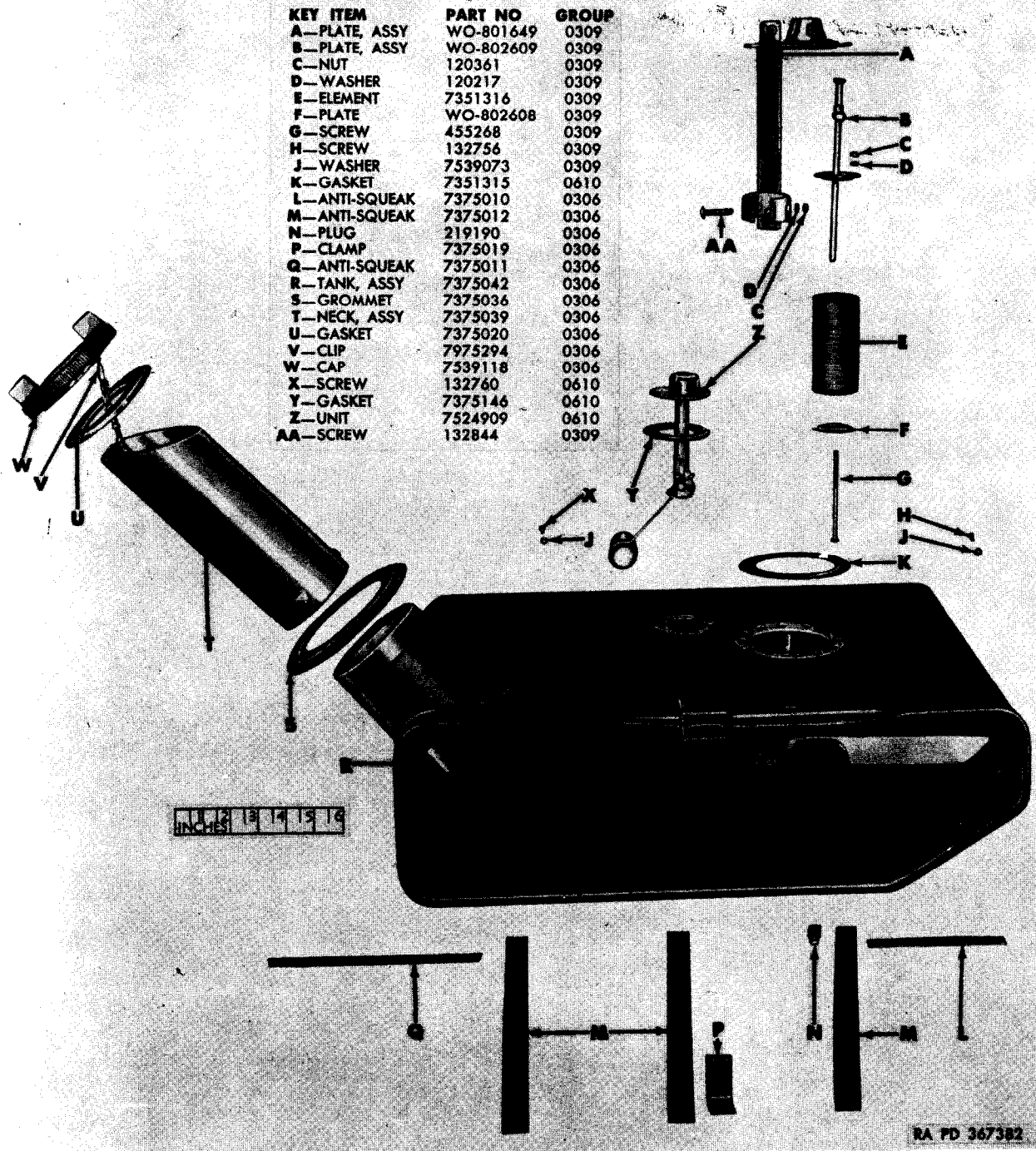
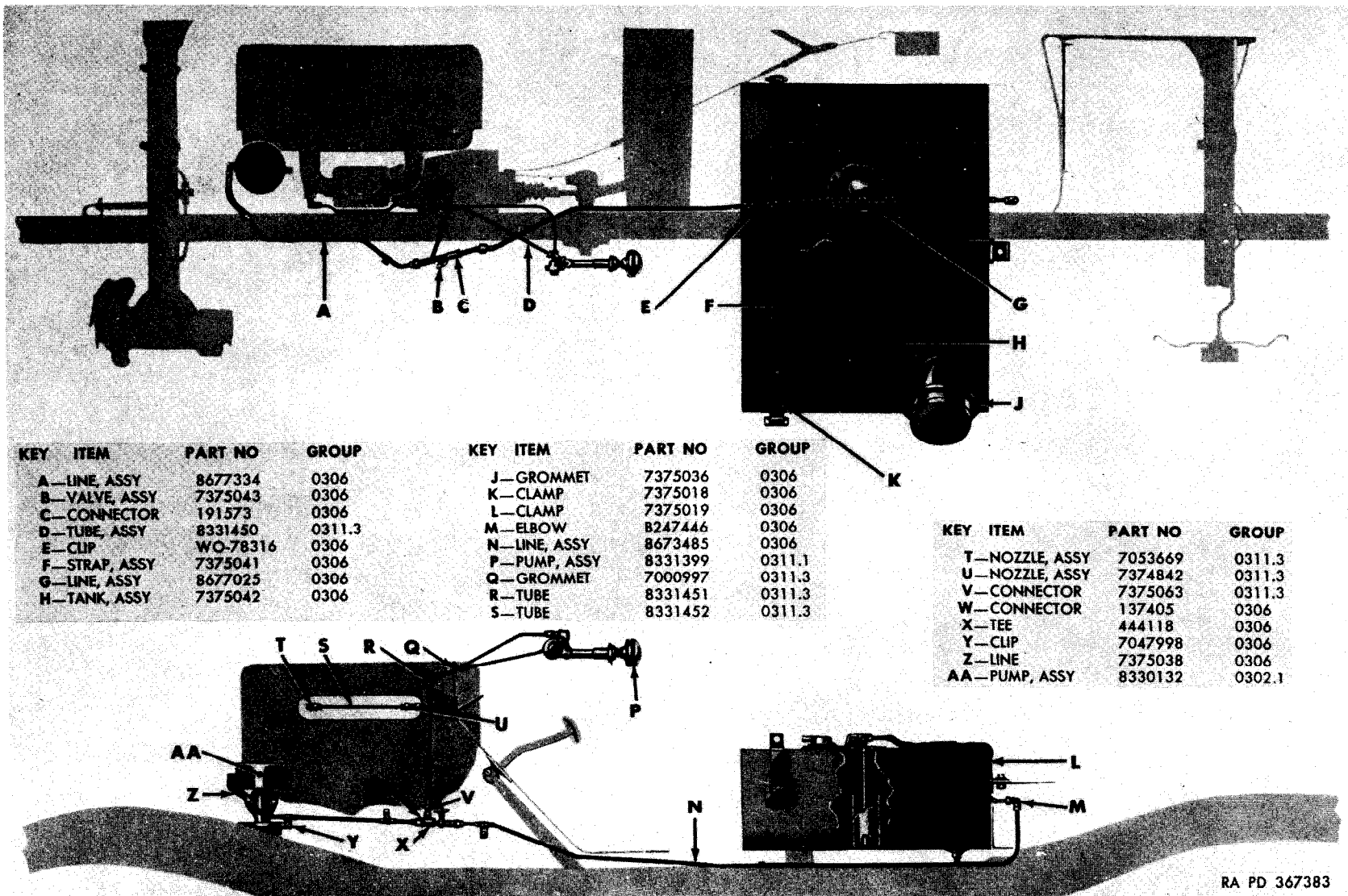


Figure 03-5. Fuel tank and related parts—exploded view





KEY ITEM	PART NO	GROUP
A—LINE, ASSY	8677334	0306
B—VALVE, ASSY	7375043	0306
C—CONNECTOR	191573	0306
D—TUBE, ASSY	8331450	0311.3
E—CLIP	WO-78316	0306
F—STRAP, ASSY	7375041	0306
G—LINE, ASSY	8677025	0306
H—TANK, ASSY	7375042	0306

KEY ITEM	PART NO	GROUP
J—GROMMET	7375036	0306
K—CLAMP	7375018	0306
L—CLAMP	7375019	0306
M—ELBOW	8247446	0306
N—LINE, ASSY	8673485	0306
P—PUMP, ASSY	8331399	0311.1
Q—GROMMET	7000997	0311.3
R—TUBE	8331451	0311.3
S—TUBE	8331452	0311.3

KEY ITEM	PART NO	GROUP
T—NOZZLE, ASSY	7053669	0311.3
U—NOZZLE, ASSY	7374842	0311.3
V—CONNECTOR	7375063	0311.3
W—CONNECTOR	137405	0306
X—TEE	444118	0306
Y—CLIP	7047998	0306
Z—LINE	7375038	0306
AA—PUMP, ASSY	8330132	0302.1

RA PD 367383

Figure 03-6. Fuel system

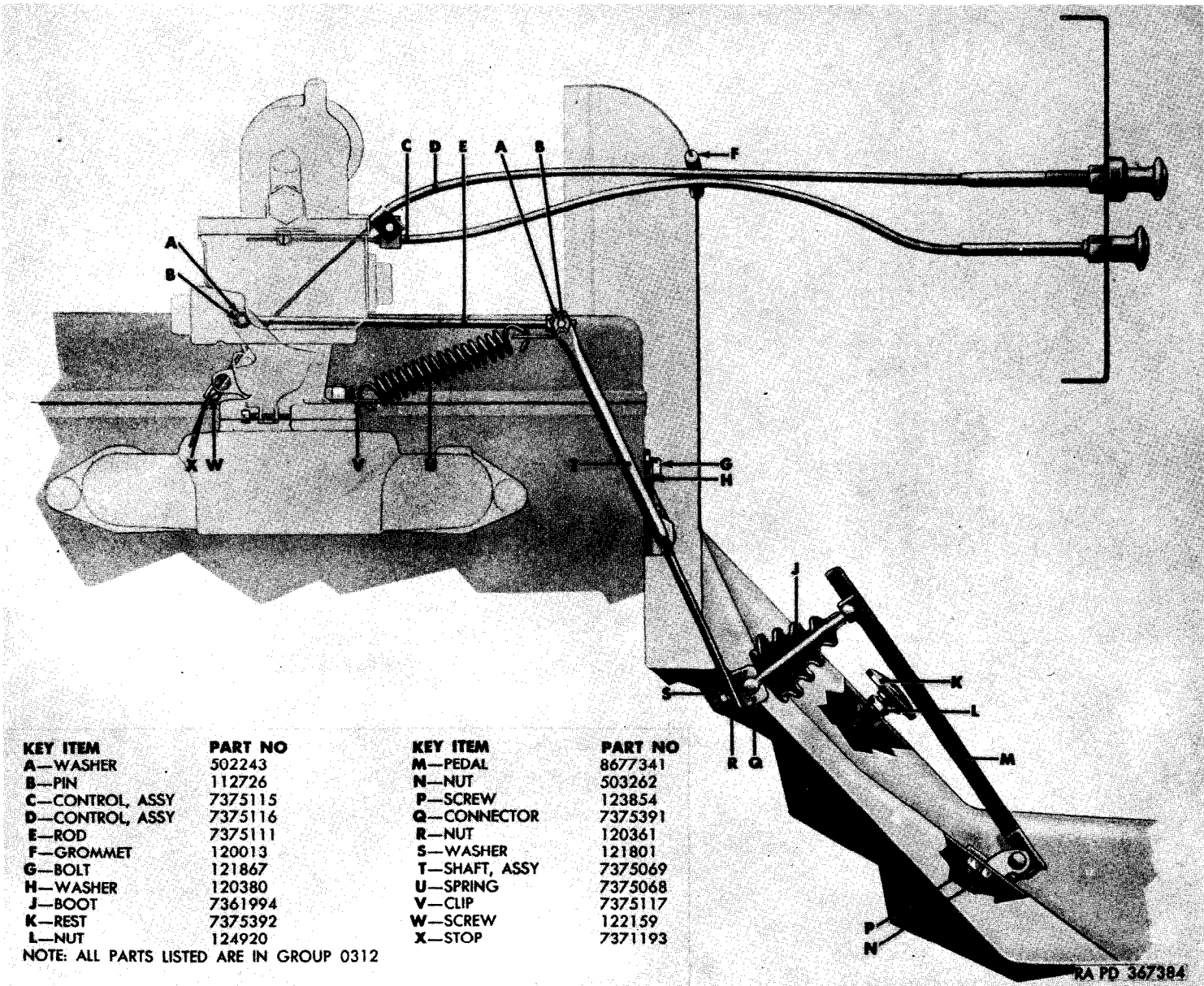


Figure 08-7. Throttle and choke control—exploded view



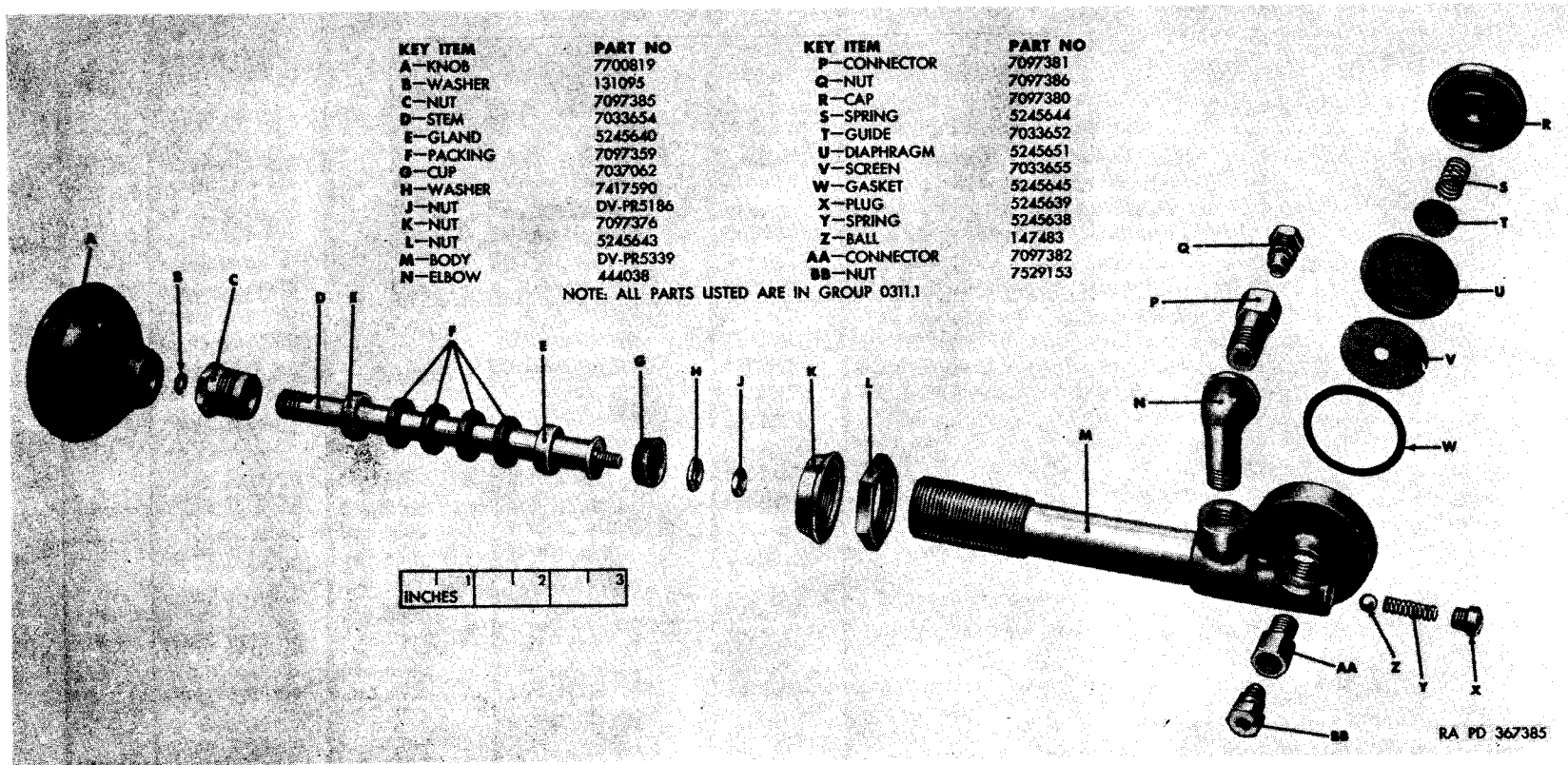


Figure 08-8. Primer pump (8831399)—exploded view

(1) ILLUSTRATION NO.	(2) REFER- ENCE SYMBOLS	(3) ORDNANCE STOCK NO.	(4) FEDERAL STOCK NO.	(5) MFR'S PART NO.	(6) ORDNANCE PART NO.	(7) DESCRIPTION	(8) QUANTITY INCOR- PORATED IN UNIT	(9) UNIT OF ISSUE
<b>GROUP 03—FUEL SYSTEM</b>								
<b>0301—CARBURETOR</b>								
03-1		G740-7372500		CAR-24-26 WO-116880	7372500	AXLE, float lever.....	1	ea
03-1		G507-5346738	534-6738	CAR-116-13 WO-116813	5346738	BALL, check, discharge, pump.....	1	ea
03-1		G740-7412959		CAR-122-64S WO-116205	7412959	BALL, fuel intake, assy.....	1	ea
03-1		G740-7372502		CAR-0-570S WO-116868	7372502	BODY, carburetor, assy.....	1	ea
03-1		G740-7372501		CAR-6-551S WO-116872	7372501	BODY, choke valve, assy.....	1	ea
03-1		G507-5293063		CAR-101-160S WO-116892	5293063	SCREW, lockwasher, fil-hd, No. 10-32 x $\frac{9}{16}$ .....	6	ea
03-1		G740-7372503		CAR-1-508S WO-116869	7372503	BODY, throttle valve, assy.....	1	ea
67 03-1		G103-1781890		CAR-101-149S WO-116891	A293060	SCREW, lockwasher, fil-hd, No. 12-28 x $\frac{3}{4}$ .....	3	ea
03-1		G740-7372508		CAR-62-156S WO-116889	7372508	BRACKET, choke tube, assy.....	1	ea
03-1		G503-7343368	734-3368	CAR-101-142S WO-116384	7343368	SCREW, lockwasher, fil-hd, No. 8-32NF x $\frac{5}{16}$ .....	2	ea
01-1; 03-1		G740-7372509	2910-737-2509	CAR-YS-637S WO-A17854	7372509	CARBURETOR, assy.....	1	ea
	H1	H001-4167601	012-0369		120369	NUT, PLAIN, HEXAGON, lt, s-fin, cd or zn-pltd, $\frac{7}{8}$ -24NF-2	2	ea
03-1		G740-7372510		CAR-62-134 WO-116587	7372510	CLAMP, choke control conduit.....	1	ea
03-1	H1	H001-4051541	012-0619		120619	NUT, PLAIN, SQUARE, S, cd or zn-pltd, No. 10 (0.190)-24NC-2	1	ea
03-1	H1	H001-5148281	5305-012-0910		120910	SCREW, MACHINE, rd-hd, S, cd or zn-pltd, No. 10 (0.190)-24NC-2 x $\frac{3}{4}$	1	ea
03-1		G740-7372511		CAR-203-34S WO-116907	7372511	DIAPHRAGM, metering rod, assy.....	1	ea
03-1		G740-7372512		CAR-203-35S WO-116908	7372512	DIAPHRAGM, pump, assy.....	1	ea
03-1		G740-7372513		CAR-21-95S WO-116879	7372513	FLOAT, w/LEVER, assy.....	1	ea

1080

(1)	(2)	(3)	(4)	(5)	(6)	(7)	(8)	(9)
ILLUSTRATION NO.	REFERENCE SYMBOLS	ORDNANCE STOCK NO.	FEDERAL STOCK NO.	MFR'S PART NO.	ORDNANCE PART NO.	DESCRIPTION	QUANTITY INCORPORATED IN UNIT	UNIT OF ISSUE
						<b>GROUP 03—FUEL SYSTEM—Continued</b>		
						<b>0301—CARBURETOR—Continued</b>		
03-1		G740-7372515		CAR-121-137 WO-116895	7372515	GASKET, body, throttle valve.....	1	ea
03-1		G740-7372514		CAR-121-138 WO-116896	7372514	GASKET, choke valve body to float body.....	1	ea
03-1		G503-5293029		CAR-20-22 WO-116168	5293029	GASKET, float needle valve seat.....	1	ea
		G741-5293030		CAR-20-35 WO-116784	5293030	GASKET, fuel intake strainer nut.....	1	ea
		G503-7378054		CAR-20-61 WO-116170	7378054	GASKET, pump strainer plug.....	1	ea
03-1		G740-7372518		CAR-170-139 WO-116906	7372518	HOUSING, metering rod diaphragm.....	1	ea
03-1		G740-7372517		CAR-170-138 WO-116905	7372517	HOUSING, pump diaphragm.....	1	ea
03-1		G740-7372527		CAR-101-221S WO-116893	7372527	SCREW, lockwasher, fil-hd, No. 8-32NC x 5/8.....	8	ea
		G740-7372543		WO-A923	7372543	INSULATOR, throttle valve flange to manifold.....	1	ea
03-1		G740-7372519		CAR-120-157 WO-116894	7372519	JET, metering rod.....	1	ea
03-1		G740-7372521		CAR-15-44S WO-116878	7372521	NUT, strainer, w/GASKET, assy.....	1	ea
03-1		G503-7378099		CAR-150-98 WO-116177	7378099	PIN, intake needle spring.....	1	ea
03-1		G740-7372522		CAR-150-139 WO-116901	7372522	PIN, metering rod sleeve.....	1	ea
03-1		G740-7372523		CAR-7-147S WO-116873	7372523	PLATE, choke valve to poppet valve, assy.....	1	ea
03-1		G503-5281457		CAR-39-10 WO-116216	5281457	SCREW, rd-hd, br, No. 3-48 x 3/16.....	2	ea
03-1		G740-7372524		CAR-2-123 WO-116870	7372524	PLATE, throttle valve.....	1	ea
03-1		G085-3005020		CAR-39-11 WO-116217	A346734	SCREW, rd-hd, br, No. 3-48 x 7/32.....	2	ea
03-1		G740-7372525		CAR-11B-176 WO-116876	7372525	PLUG, choke shaft.....	1	ea
03-1				CAR-47-11 WO-116927		PLUG, expansion, body.....	1	ea

68

03-1			CAR-47-23 WO-116884		PLUG, expansion, throttle shaft	1	ea
03-1	G502-7324060		CAR-11B-79 WO-116160	7324060	PLUG, idle passage (rivet)	1	ea
03-1	G507-5312057	531-2057	CAR-11B-108 WO-116162	5312057	PLUG, idle port passage (rivet)	1	ea
03-1			CAR-11B-134 WO-116875		PLUG, intake needle passage	1	ea
03-1	G502-7324058		CAR-11B-41 WO-116647	7324058	PLUG, pump inlet passage (rivet)	1	ea
03-1	G503-7378081		CAR-11B-125S WO-116163	7378081	PLUG, strainer passage, w/GASKET, assy	1	ea
03-1	G740-7372541		CAR-136-99 WO-116898	7372541	RETAINER, throttle valve shaft seal	1	ea
03-1	G740-7372526		CAR-75-595S WO-116890	7372526	ROD, metering, assy	1	ea
03-1	G716-5293056		CAR-101-120 WO-116651	5293056	SCREW, adjusting, throttle lever	1	ea
03-1	G505-5346736		CAR-30A37 WO-116883	5346736	SCREW, idle adjustment	1	ea
03-1	H1	H001-5125821	5305-013-1958	131958	SCREW, mach, fil-hd, S, cd or zn-pltd, No. 8-32NC-2A x $\frac{5}{16}$	1	ea
03-1	G740-7372528		CAR-163-21 WO-116902	7372528	SEAL, choke shaft	1	ea
03-1	G740-7372530		CAR-163-28 WO-116903	7372530	SEAL, dust, throttle shaft	1	ea
03-1	G740-7372529		CAR-163-46 WO-116904	7372529	SEAL, idle adjusting screw	1	ea
03-1	G740-7372531		CAR-14-359S WO-116877	7372531	SHAFT, choke, w/LEVER, assy	1	ea
03-1	G740-7372532		CAR-3-574S WO-116871	7372532	SHAFT, throttle, w/LEVER, assy	1	ea
03-1	G507-5346737		CAR-61-84 WO-116885	5346737	SPRING, idle adjustment screw	1	ea
03-1	1500-61-207		CAR-61-207 WO-116191		SPRING, intake needle	1	ea
03-1	G740-7372534		CAR-61-356 WO-116887	7372534	SPRING, metering rod	1	ea
03-1	G740-7372535		CAR-61-304 WO-116886	7372535	SPRING, pump	1	ea
03-1	G740-7372533		CAR-61-357 WO-116888	7372533	SPRING, return, choke valve shaft	1	ea
03-1	G508-5293034		CAR-30-14 WO-116882	5293034	STRAINER, fuel intake	1	ea

0301

70

(1)	(2)	(3)	(4)	(5)	(6)	(7)	(8)	(9)
ILLUSTRATION NO.	REFERENCE SYMBOLS	ORDNANCE STOCK NO.	FEDERAL STOCK NO.	MFR'S PART NO.	ORDNANCE PART NO.	DESCRIPTION	QUANTITY INCORPORATED IN UNIT	UNIT OF ISSUE
<b>GROUP 03—FUEL SYSTEM—Continued</b>								
<b>0301 — CARBURETOR—Continued</b>								
03-1		G085-3004900		CAR-30-20 WO-116175	A281437	STRAINER, pump.....	1	ea
03-1		G740-7372537		CAR-145-70S WO-116900	7372537	TUBE, bleeder, w/PLUG, assy.....	1	ea
03-1		G740-7372536		CAR-11A142 WO-116874	7372536	TUBE, low speed jet.....	1	ea
03-1		G740-7372538		CAR-25-151S WO-116881	7372538	VALVE, needle, w/SPRING and SEAT, assy.....	1	ea
03-1		G740-7372539		CAR-136-98 WO-116897	7372539	WASHER, retaining, choke valve shaft seal.....	1	ea
03-1		G740-7372540		CAR-136-122 WO-116899	7372540	WASHER, retaining, idle adjusting screw seal.....	1	ea
03-1		G740-7372542		CAR-221-12 WO-116909	7372542	WEIGHT, pump discharge ball check.....	1	ea
<b>0302.1 — FUEL AND VACUUM PUMP</b>								
03-2		G740-7375382		AC-5592295 WO-118476	7375382	ARM, rocker.....	1	ea
03-2		G067-1500270		AC-1523221 WO-117138	A214741	BEARING, bushing type, rocker arm pin.....	1	ea
03-2		G740-7375381		AC-5592291 WO-118475	7375381	BODY, fuel section.....	1	ea
				AC-5592953 WO-120005		BODY, fuel section, w/oil SEAL, assy (for service only).....	1	ea
03-2				AC-5592293 WO-118474		BODY, fuel section, w/oil SEAL, assy (for service use BODY AC-5592953)	1	ea
03-2		G740-7375383	2910-737-5383	AC-5592300 WO-118488	7375383	BODY, vacuum section.....	1	ea
03-2	H1	H001-5127361	5305-013-2119		132119	SCREW, MACH, fil-hd, S, cd or zn-pltd, No. 10- 32NF-2 x 5/8	8	ea
03-2	H1	H001-7025621	5310-012-0217		120217	WASHER, LOCK, med, S, cd or zn-pltd, No. 10, 0.194 ID, 0.337 OD	8	ea
03-2		G226-5214746		AC-1523259 WO-117143	5214746	CAP, diaphragm return spring.....	1	ea

03-2		G509-7016403	2910-701-6403	AC-1538355 WO-118480	7016403	COVER, pulsator diaphragm.....	1	ea
03-2	H1	H101-0132148			132148	BOLT, MACHINE, fil-hd, S, cd or zn-pltd, No. 10-32NF-2 x 1 $\frac{3}{4}$ (supersedes BOLT G742-7539125)	10	ea
		G742-7539125		AC-1567648 WO-118482	7539125	BOLT, MACHINE, fil-hd, S, cd or zn-pltd, No. 10-32NF-2 x 1 $\frac{3}{16}$ (superseded by BOLT H101-0132148)	10	ea
03-2	H1	H001-5127371	5305-013-2124		132124	SCREW, MACHINE, fil-hd, S, cd or zn-pltd, No. 10-32NF-2A x $\frac{3}{4}$	2	ea
03-2	H1	H001-7025621	5310-012-0217		120217	WASHER, LOCK, med, S, cd or zn-pltd, No. 10, 0.194 ID, 0.337 OD	12	ea
				AC-5592298 WO-118473		DIAPHRAGM, fuel section, w/pull ROD (superseded by DIAPHRAGM G758-8332534)	1	ea
03-2		G758-8332534	2530-833-2534	AC-5592898 WO-119867	8332534	DIAPHRAGM, fuel section, w/pull ROD (supersedes DIAPHRAGM AC-5592298)	1	ea
03-2		G671-7001905		AC-1538358 WO-118477	7001905	DIAPHRAGM, pulsator, fuel section.....	3	ea
				AC-5592299 WO-118487		DIAPHRAGM, vacuum section, w/pull ROD (superseded by DIAPHRAGM G758-8332535)	1	ea
03-2		G758-8332535	2530-833-2535	AC-5592899 WO-119661 AC-5590460 WO-120264	8332535	DIAPHRAGM, vacuum section, w/pull ROD, assy.....	1	ea
	H6	H006-0264040			119455	ELBOW, pipe, stght, 90 deg, br, $\frac{1}{8}$ in (used on engines after serial No. 74419)	1	ea
		G226-5214739		AC-1523120 WO-118491	5214739	GASKET, cork, $\frac{13}{16}$ ID, 0.990 OD, 0.035 thk (vacuum section oil seal)	1	ea
		G758-8329702		AC-5590046 WO-117910	8329702	GASKET, cover plate screw, vacuum section (for service only)	1	ea
03-2		G102-5214764		AC-1521476 WO-117154	5314764	GASKET, cover plate screw, vacuum section (for service use GASKET G758-8329702)	1	ea
		G741-7413199	5330-741-3199	AC-5592251 WO-119248	7413199	GASKET, cover, vacuum section (for service only).....	1	ea
03-2		G102-5214757		AC-1523801 WO-117153	5214757	GASKET, cover, vacuum section (for service use GASKET, G741-7413199)	1	ea
		G503-5261672	2910-360-8044	ACK-CN70S GM-888263 WO-638737 AC-1411094 WO-118704	5261672	GASKET, fuel pump to cylinder block.....	2	ea
03-2		G671-7001906	2910-700-1906	AC-1538357 WO-118478	7001906	GASKET, plate, fuel section valve.....	2	ea
03-2				AC-5591830 WO-118490		GASKET, ru, 0.020 thk (vacuum section valve, upper)...	1	ea
03-2		G508-5214752		AC-1521953 WO-115652	5214752	GASKET, vacuum section valve to cover.....	2	ea

(1)	(2)	(3)	(4)	(5)	(6)	(7)	(8)	(9)
ILLUSTRATION NO.	REFERENCE SYMBOLS	ORDNANCE STOCK NO.	FEDERAL STOCK NO.	MFR'S PART NO.	ORDNANCE PART NO.	DESCRIPTION	QUANTITY INCORPORATED IN UNIT	UNIT OF ISSUE
						<b>GROUP 03—FUEL SYSTEM—Continued</b>		
						<b>0302.1—FUEL AND VACUUM PUMP—Continued</b>		
03-2				AC-1521906 WO-116343		LINK, rocker arm, intermediate.....	1	ea
03-2				AC-1521908 WO-116344		LINK, rocker arm, left.....	1	ea
03-2				AC-1521907 WO-116345		LINK, rocker arm, right.....	1	ea
03-2		G508-5214889		AC-1522023 WO-116329	5214889	PIN, rocker arm (for service only).....	1	ea
				AC-5592501 WO-119266	453851	NIPPLE, pipe, S, cd or zn-pltd, 1/8 x 1 (long).....	1	ea
				AC-1523393 WO-117907		PIN, rocker arm (for service use PIN G508-5214889) (superseded by PIN AC-1523393) (used on engines through serial No. 74419)	1	ea
		G160-7703680		AC-1522222 WO-116330	7703680	PIN, rocker arm (supersedes PIN AC-5592501) (for service use PIN G508-5214889) (used on engines after serial No. 74419)	1	ea
		G508-5214987	5310-360-7707	AC-1521288 WO-116762	5214987	WASHER (superseded by WASHER G508-5214987)....	1	ea
03-2		G741-6170220	350-2383	AC-1537195 WO-117152	6170220	WASHER, plain, 0.189 ID, 3/8 OD, 0.042 thk (supersedes WASHER G160-7703680)	1	ea
03-2	H1	H001-5418341	012-3450			PLATE, vacuum section.....	1	ea
03-2	H6	H106-0143932	014-3932		123450	BOLT, MACHINE, hex-hd, S, cd or zn-pltd, 1/4-28NF-3 x 3/4	1	ea
01-1, 03-2,6		G740-8330132		AC-1539917 WO-807641	8330132	PLUG, PIPE, sq-hd, CI, cd or zn-pltd, 1/8-27NPT, RH thread (used on engines through serial No. 74419)	1	ea
		G740-7375385		WO-800741	7375385	PUMP, fuel and vacuum, assy (for service use PUMP AC-5592659) (used on engines after serial No. 74419)	1	ea
	H1	H001-7025711	012-0214		120214	SCREW, sp, hex-hd, S, cd or zn-pltd, 5/16-18NC-3 x 2.....	2	ea
		G740-7416478		WO-805842	7416478	WASHER, LOCK, med, S, cd or zn-pltd, 5/16 in.....	2	ea
		G740-7375380		AC-1539585 WO-800350	7375380	WASHER, rectangular, 0.406 diam, 0.660 ID, 0.940 OD, 0.0598 thk (used on vehicles after serial No. 43949)	2	ea
						PUMP, fuel and vacuum, assy (for service use PUMP G740-8329527) (used on engines through serial No. 74419)	1	ea

			AC-5592659 WO-120208		PUMP, fuel and vacuum, w/GASKET, assy (for service only) (used on engines after serial No. 74419)	1	ea
	G740-8329527		AC-5592147 WO-119483	8329527	PUMP, fuel and vacuum, w/GASKET, assy (for service only) (used on engines through serial No. 74419)	1	ea
03-2	G102-5214761	521-4761	AC-1523805 WO-117156	5214761	RETAINER, diaphragm spring	1	ea
	G758-8329706		AC-5592332 WO-119242	8329706	RETAINER, oil seal, vacuum section	1	ea
03-2	G102-5214759		AC-1523803 WO-117155	5214759	RETAINER, screen, vacuum section	1	ea
03-2	G741-7010695		AC-1538356 WO-118481	7010695	RETAINER, valve, fuel section	2	ea
03-2	H1	H001-5146431	151-1846	121839	BOLT, MACHINE, rd-hd, S, cd or zn-pltd, No. 6 (0.138)-32NC-2 x $\frac{5}{16}$	8	ea
03-2		G732-5214750	AC-1523664 WO-117144	5214750	RETAINER, valve, vacuum section	1	ea
03-2	H1	H001-5148831	5305-013-2900	132900	SCREW, MACH, rd-hd, S, cd or zn-pltd, No. 10-32NF-2A x $\frac{3}{8}$	1	ea
03-2		G741-5214758	AC-1523802 WO-117157	5214758	SCREEN, vacuum section	1	ea
			AC-5590123 WO-117520		SEAL, oil, fuel section (used w/PUMP G740-7375380) (superseded by SEAL AC-5592331)	1	ea
03-2			AC-5592331 WO-119241		SEAL, oil, fuel section (used w/PUMP G740-7375380) (supersedes SEAL AC-5590123) (used on engines through serial No. 74419)	1	ea
03-2		G104-6184238	AC-1523122 WO-117432	6184238	SEAL, oil, type ML, $\frac{3}{8}$ ID, 1.000 OD x $\frac{5}{16}$ thk (vacuum section)	1	ea
		G758-8329708	WO-800361	8329708	SPACER, fuel pump to cylinder block	1	ea
03-2		G102-5292984	AC-1521909 WO-116346	5292984	SPACER, rocker arm link	1	ea
03-2		G067-1501920	AC-1523043 WO-116347	5214743	WASHER, plain, corr-res-S, 0.365 ID, $\frac{5}{8}$ OD, 0.010 thk	2	ea
			AC-5591959 WO-118485		SPRING, diaphragm, fuel section (superseded by SPRING 5323138)	1	ea
03-2		G147-0389807	AC-1537096 WO-119652	5323138	SPRING, diaphragm, fuel section (supersedes SPRING AC-5591959)	1	ea
03-2			AC-5590533 WO-117160		SPRING, diaphragm, vacuum section	1	ea
03-2		G103-1789629	AC-1523033 WO-116332	A292967	SPRING, rocker arm	1	ea
03-2		G262-7416495	AC-5591860 WO-118486	7416495	VALVE, w/CAGE, assy	10	ea



(1) ILLUSTRATION NO.	(2) REFERENCE SYMBOLS	(3) ORDNANCE STOCK NO.	(4) FEDERAL STOCK NO.	(5) MFR'S PART NO.	(6) ORDNANCE PART NO.	(7) DESCRIPTION	(8) QUANTITY INCORPORATED IN UNIT	(9) UNIT OF ISSUE
<b>GROUP 03—FUEL SYSTEM—Continued</b>								
<b>0304.1—AIR CLEANER</b>								
03-3		G740-7065897		HH-621456 WO-118042	7065897	BODY, cleaner, assy.....	1	ea
	H1	G740-7375122 H001-5417601	012-0854	WO-801059	7375122 120854	BRACKET, extension.....	1	ea
	H1	H001-5418301	012-3435		123435	BOLT, MACHINE, hex-hd, S, cd or zn-pltd, 1/4-20NC-3 x 5/8 (supersedes BOLT 123435)	2	ea
	H1	H001-4167501	012-0375		120375	BOLT, MACHINE, hex-hd, S, cd or zn-pltd, 1/4-28NF-3 x 5/8 (superseded by BOLT 120854)	2	ea
	H1	H001-4167521	012-0367		120367	NUT, PLAIN, HEXAGON, lt, s-fin, S, cd or zn-pltd, 1/4-20NC-2 (supersedes NUT 120367)	2	ea
	H1	H001-7043681	012-0392		120392	NUT, PLAIN, HEXAGON, s-fin, S, cd or zn-pltd, 1/4-28NF-3 x 5/8 (superseded by NUT 120375)	2	ea
	H1	H001-7025681	012-0380		120380	WASHER, FLAT, light series, S, cd or zn-pltd, 1/4 in.....	2	ea
	H1	G740-7375121 H001-4167541		WO-640948	7375121 120376	WASHER, LOCK, med, S, cd or zn-pltd, 1/4 in.....	2	ea
	H1	H001-7025711	012-0214		120214	BRACKET, support, left.....	1	ea
	H1	G740-7375390 H101-0455305	2920-495-9598	WO-640947	7375390 455305	NUT, PLAIN, HEXAGON, lt, s-fin, S, cd or zn-pltd, 5/16-18NC-2 (air cleaner support brkt left to dash panel)	3	ea
	H6	H006-0502911			502911	WASHER, LOCK, med, S, cd or zn-pltd, 5/16 in.....	3	ea
				WO-53883		BRACKET, support, right.....	1	ea
	H6	H106-0116574			116574	BOLT, MACHINE, hex-hd, w/lock-washer, header pt, cd or zn-pltd, 5/16-24NF-2 x 5/8 (air cleaner bracket right mounting)	3	ea
03-3	H6	G503-7036575	4730-360-8282	USL-461389 WO-635097	7036575	CLAMP, hose, S, cd or zn-pltd, 3/4 in (air cleaner line to oil filler line)	2	ea
						CLAMP, hose, S, pltd, 2 9/16 ID (carburetor to air intake pipe hose)	2	ea
03-3	H6	H006-0502922			502922	CLAMP, hose, rustproof, 2 1/16 in (carburetor to air intake pipe hose) (used on vehicles after serial No. 11169)	2	ea
						CLAMP, hose, 2 9/32 ID (deflector (1); air cleaner to air intake pipe hose (2)) (superseded by CLAMP H006-0502922)	3	ea
						CLAMP, hose, 2 9/32 ID (deflector (1); air cleaner to air intake pipe hose (2)) (supersedes CLAMP G503-7036575)	3	ea

03-3		G740-7047962	2940-704-7962	HH-621475 WO-801062	7047962	CLEANER, oil bath, w/BRACKET, assy.....	1	ea
	H1	G503-7324837	5305-361-7911	WO-115905	7324837	SCREW, wing, 1/4-20NC-2 x 3/4.....	4	ea
	H6	H001-7043681	5310-012-0392		120392	WASHER, flat, light series, S, cd or zn-pltd, 1/4 in.....	4	ea
		H006-0214310			137404	CONNECTOR, flared tube, inverted, br, 3/16 in tube, 1/8 in male pipe end	2	ea
03-3		G740-7065899		HH-616389 WO-118043	7065899	CUP, oil.....	1	ea
03-3		G503-0169093		OKS-613387 HH-613387 WO-A5630		ELEMENT, air cleaner, w/wing BOLT, assy.....	1	ea
03-3		G740-7351311		HH-616339 WO-801894	7351311	GASKET, air cleaner body, lower.....	1	ea
03-3		G503-7010486		HH-613313 WO-A5632	7010486	GASKET, element to upper body.....	1	ea
03-4				WO-801585	8677062	HOSE, air cleaner to oil filler tube (1 3/4 lg).....	1	ea
03-3, 4		G740-7375120		WO-801738	7375120	HOSE, carburetor to air cleaner tube.....	1	ea
03-3, 4		G740-7375119		WO-800602	7375119	HOSE, flexible, air cleaner to air intake pipe.....	1	ea
03-3, 4 18-3		G740-7375118		WO-801807	7375118	PRECLEANER, air, w/rain DEFLECTOR, assy.....	1	ea
03-3		G740-7065898		WO-800848 HH-616338 WO-118044	8673334 7065898	SHIELD, splash, air cleaner.....	1	ea
						SPRING, toggle, oil cup.....	1	ea
						<b>0304.5—UNDERWATER VENT SYSTEM</b>		
	H1	H001-5419821	012-0741	WO-800756	120741	BRACKET, flexible hose to fender.....	1	ea
	H1	H001-4167561	012-0368		120368	BOLT, MACHINE, hex-hd, S, cd or zn-pltd, 5/16- 24NF-3 x 3/4	2	ea
	H1	H101-0446363	5310-044-6363		446363	NUT, PLAIN, HEXAGON, lt, s-fin, S, cd or zn-pltd, 5/16-24NF-2	2	ea
	H1	H001-7045561	5310-012-0387		120387	WASHER, FLAT, heavy series, S, cd or zn-pltd, 5/16 in 3/8 ID, 7/8 OD, 1/16 thk (supersedes WASHER 120387)	2	ea
	H1	H001-7025711	5310-012-0214		120214	WASHER, FLAT, S, cd or zn-pltd, 3/8 ID, 7/8 OD, 1/16 thk (superseded by WASHER H101-0446363)	2	ea
		G740-7375125		WO-A17845	7375125	WASHER, LOCK, med, S, cd or zn-pltd, 5/16 in.....	2	ea
		G740-7351377	4730-735-1377	WO-800765	7351377	BRACKET, support, dual control.....	1	ea
	H1	H101-0126177	012-6177		126177	CLAMP, flexible hose to support.....	6	ea
	H1	H001-5150211	5305-013-3056		133056	NUT, PLAIN, WING, lt, S, cd or zn-pltd, 1/4-20NC-2.....	3	ea
		G740-7351374	2540-735-1374	WO-A17380	7351374	SCREW, MACHINE, ROUND HEAD, S, cd or zn- fin, 1/4-20NC-2 x 1 1/2	3	ea
	H1	H001-7021741	5310-012-0423		120423	SPACER, 5/16 ID x 3/8 lg.....	3	ea
						WASHER, LOCK, S, cd or zn-fin, style No. 2, 0.46 OD, 1/4 in bolt	3	ea
	H6	H006-0502922			502922	CLAMP, hose, 2 3/32 ID (air intake flex hose to air cleaner) (supersedes CLAMP G503-7036575)	2	ea

(1)	(2)	(3)	(4)	(5)	(6)	(7)	(8)	(9)
ILLUSTRATION NO.	REFERENCE SYMBOLS	ORDNANCE STOCK NO.	FEDERAL STOCK NO.	MFR'S PART NO.	ORDNANCE PART NO.	DESCRIPTION	QUANTITY INCORPORATED IN UNIT	UNIT OF ISSUE
						<b>GROUP 03—FUEL SYSTEM—Continued</b>		
						<b>0304.5—UNDERWATER VENT SYSTEM—Continued</b>		
		G503-7036575		USL-461389 WO-635097 WO-800388	7036575	CLAMP, hose, 2 $\frac{3}{32}$ ID (air intake hose) (superseded by CLAMP H006-0502922)	2	ea
						CLAMP, open, S, 1 $\frac{1}{16}$ OD conduit, hole for $\frac{5}{16}$ in screw (flexible hose support)	1	ea
	H1	H101-9409098			9409098	BOLT, MACHINE, header-pt, hex-hd, w/spring lock-washer, S, cd or zn-pltd, $\frac{5}{16}$ -18NC-2 x $\frac{7}{8}$	2	ea
				WO-807467		CLIP, closed (0.31 diam) (bell housing pressure tube to oil pressure sender) (used on vehicles after serial No. 53261)	1	ea
	H4	H004-0327671			120520	CLIP, closed, S, cd or zn-pltd, $\frac{3}{16}$ in OD tube, hole for $\frac{1}{4}$ in bolt (dual control conduit to bracket (1); dual control conduit to strap (1))	2	ea
		G740-7375126		WO-800794	7375126	CLIP, closed, S, cd or zn-pltd, $\frac{5}{16}$ , hole for $\frac{3}{8}$ screw (distributor ventilator line to cylinder head stud)	1	ea
	H1	H001-4057621			107824	NUT, jam, stamped, hex, lt, 9-notch, S, cd or zn-pltd, $\frac{1}{16}$ -20NF (used on vehicles after serial No. 17431)	1	ea
		G740-7047998	5340-704-7998	WO-A5449	7047998	CLIP, open, $\frac{5}{16}$ , hole for $\frac{1}{2}$ screw (fuel tank ventilator to dash (1); tee to elbow (1); master cylinder (1))	3	ea
	H1	H101-0420505	042-0505		420505	BOLT, INTEGRAL LOCK WASHER, int-tooth type, rd-hd, sltd, S, cd or zn-fin, header-pt, No. 10-24NC-2 x $\frac{1}{16}$	2	ea
				WO-800603	8677328	CONNECTION, AIR TUBE, flexible (74 in long)	1	ea
	H6	H006-0214310			137404	CONNECTOR, flared tube, inverted, br, $\frac{3}{16}$ in tube, $\frac{1}{8}$ in male pipe end	1	ea
		G740-7348568		WH-100-23123 WO-802665	7348568	CONNECTOR, flared tube, inverted, br, $\frac{3}{16}$ in (distributor vent tube to tee)	1	ea
18-3		G740-7375127	2540-737-5127	WO-801086	7375127	CONTROL, dual, ventilation	1	ea
		G740-7032607	5310-703-2607	WO-801085	7032607	NUT, hex, cd or zn-pltd, $\frac{5}{8}$ -18	1	ea
	H1	H001-4051541	012-0619		120619	NUT, PLAIN, SQUARE, S, cd or zn-pltd, No. 10-24NC-2	2	ea
	H1	H001-5148251	5305-012-0221		120221	SCREW, MACHINE, rd-hd, S, cd or zn-fin, No. 10-24NC-2A x $\frac{1}{2}$	2	ea
		G740-7032605	5310-703-2605	WO-801084	7032605	WASHER, lock, ext-teeth, cd or zn-pltd, $\frac{5}{8}$ in	1	ea
		G740-7375128		WO-801081	7375128	COUPLING, hex, for $\frac{3}{16}$ in tube, $\frac{3}{8}$ -18NPTF male pipe end, S, cd or zn-pltd (transfer case air vent line)	1	ea

	H6	H006-0260846			137420	ELBOW, flared tube, inverted, 90 deg, br, $\frac{3}{16}$ in tube, $\frac{1}{8}$ in male pipe end (vent line)	4	ea
	H6	H006-0325200		WH-502X3 WO-A17749	325200	ELBOW, flared tube, inverted, stght 90 deg, br, $\frac{3}{16}$ in (vent line (1)) (supersedes TEE 178654) (used at dash (1) on engines after serial No. 74419)	2	ea
01-12	H6	H006-0260850			137422	ELBOW, flared tube, inverted, 90 deg, br, $\frac{5}{16}$ in tube, $\frac{1}{8}$ in male pipe end (crankcase vent body)	1	ea
01-12	H6	H006-0260811			143343	ELBOW, flared tube, inverted, 90 deg, br, $\frac{5}{16}$ in tube, $\frac{1}{4}$ in male pipe end (vent line to control valve)	1	ea
01-12				WO-801447		ELBOW, pipe, 90 deg, MI, glvd, $\frac{1}{4}$ pipe thd (vent control valve to carburetor choke body nipple)	1	ea
		G740-7375129		WO-800804	7375129	GROMMET, split, $\frac{3}{16}$ (in dash for dual control (1); gas tank vent tube (1))	2	ea
03-4; 18-3				WO-802041		HOSE, flexible, air intake, assy	1	ea
		G758-8329638		WO-807495	8329638	LINE, bell housing to transfer case, assy	1	ea
					142431	Composed of: 2 NUT 1 TUBE, S, seamless, pltd, $\frac{3}{16}$ OD, 0.030 thkn of wall (use 22 $\frac{1}{2}$ in TUBING 44-T-5080-10) (used on engines after serial No. 74419)		
01-12; 03-4				WO-801312		LINE, crankcase ventilation, assy	1	ea
					142427	Composed of: 2 NUT 1 TUBE, S, seamless, pltd, $\frac{5}{8}$ OD, 0.030 thkn of wall (use 8 $\frac{1}{2}$ in TUBING 44-T-5080-20)		
				WO-807574		LINE, vacuum pump to bell housing, assy	1	ea
					142431	Composed of: 2 NUT 1 TUBE, S, seamless, pltd, $\frac{3}{16}$ OD, 0.030 thkn of wall (use 27 $\frac{1}{8}$ in TUBING 44-T-5080-10) (used on engines after serial No. 74419)		
03-3		G740-7047970		WO-A17445		LOOM, split, $\frac{3}{16}$ x 1 (distributor ventilator tube to cylinder head stud (1); tube clip (4))	5	ea
03-3				WO-A17122	7047970	NIPPLE, hose, $\frac{1}{4}$ std taper pipe thd, 1 in lg (crankcase vent valve (1); vent valve hose connection (1))	2	ea
01-12	H6	H106-0192468	4730-019-2468		192468	NIPPLE, PIPE, S, cd or zn-fin, style No. 2, RH, $\frac{1}{4}$ -18NPT, $\frac{3}{4}$ in lg (control valve to vent valve)	1	ea
01-12	H6	H106-0219621	4730-021-9621		219621	NIPPLE, PIPE, S, cd or zn-fin, style No. 2, RH hd, $\frac{1}{4}$ -18NPT $1\frac{1}{4}$ in (carburetor choke body to crankcase vent control valve elbow)	1	ea
	H6	H006-0230210			142432	NUT, INVERTED, flared tube fitting, br, $\frac{1}{4}$ in (fuel line)	1	ea
	H6	H006-0230209	014-2431		142431	NUT, INVERTED, tube coupling, br, pl, fin, $\frac{3}{8}$ -24NF-2 x $\frac{3}{32}$ (fuel line)	20	ea

0304.5

(1)	(2)	(3)	(4)	(5)	(6)	(7)	(8)	(9)
ILLUSTRATION NO.	REFERENCE SYMBOLS	ORDNANCE STOCK NO.	FEDERAL STOCK NO.	MFR'S PART NO.	ORDNANCE PART NO.	DESCRIPTION	QUANTITY INCORPORATED IN UNIT	UNIT OF ISSUE
						<b>GROUP 03—FUEL SYSTEM—Continued</b>		
						<b>0304.5—UNDERWATER VENT SYSTEM</b>		
						<b>—Continued</b>		
	H6	H006-0230208	014-2427		142427	NUT, INVERTED, tube coupling, pl-fin, 1/2-20NF-2 x 1 1/2 male thd (fuel line)	2	ea
01-2, 03-3		G740-7375130		WO-801582	7375130	PIPE, air intake, w/vent VALVE and BRACKET, assy...	1	ea
		G740-7375171		WO-801337	7375171	STRAP, carburetor stud to control wire clip	1	ea
03-4				WO-800387		SUPPORT, air intake flexible hose	1	ea
01-12		G740-7372554	2805-737-2554	WO-A17842	7372554	SWIVEL, crankcase ventilation valve control wire	1	ea
01-12	H1	H101-0119981	011-9981		119981	PIN, COTTER, split, S, cd-pltd, 1/16 x 3/8 (supersedes PIN H101-0137133)	1	ea
	H1	H101-0137133	013-7133		137133	PIN, COTTER, split, S, pltd, 1/16 x 1/16 (superseded by PIN H101-0119981)	1	ea
01-12	H1	H101-0132684	5305-013-2684		132684	SCREW, MACH, hex-hd, S, cd or zn-fin, No. 6-32NC-2 x 3/16	1	ea
	H1	H001-7043681	5310-012-0392		120392	WASHER, FLAT, LIGHT SERIES, S, cd or zn-pltd, 1/4 in (superseded by WASHER 120391)	1	ea
01-12	H1	H001-7043621	5310-012-0391		120391	WASHER, FLAT, MEDIUM SERIES, S, cd or zn-pltd, 3/16 in (supersedes WASHER 120392)	1	ea
	H6	H006-0385190			A188194	TEE, flared tube, inverted, br, 1/4 in tube, 1/8 in male and 3/8 in female pipe ends	1	ea
	H6	H006-0381110	263-2749		178654	TEE, TUBE, br, 1st, 2nd, 3rd, ends, used w/3/16 in tube, 3/8-24UNF-2B (superseded by ELBOW 325200)	1	ea
03-4				WO-801060	8673326	TUBE, air cleaner to windshield wiper hose, assy	1	ea
					142432	Composed of: 1 NUT 1 TUBE, S, seamless, pltd, 1/4 OD, 0.030 thkns of wall (use (14 in) TUBING 44-T-5080-15)		
03-4				WO-801586	8677038	TUBE, carburetor ventilator, assy	1	ea
					142431	Composed of: 2 NUT 1 TUBE, S, seamless, pltd, 3/16 OD, 0.030 thkn of wall (use (13 in) TUBING 44-T-5080-10)		
03-4				WO-800701	8676982	TUBE, gas tank vent, assy	1	ea
					142431	Composed of: 2 NUT 1 LOOM, 3/16 ID x 45 in lg 1 TUBE, S, seamless, pltd, 3/16 OD, 0.030 thkn of wall (use (86 in) TUBING 44-T-5080-10)		
				WO-802247				

78

03-4			WO-800374	8676980	TUBE, IGNITOR VENT, assy.....	1	ea
				142431	Composed of: 2 NUT 1 TUBE, cop, seamless, pltd, $\frac{3}{16}$ OD, 0.030 thkn of wall (use (9 in) TUBING 44-T-5080-10)		
03-4			WO-800375	8676981	TUBE, IGNITOR VENT TO WIPER, assy.....	1	ea
				142431	Composed of: 2 NUT 1 TUBE, cop, seamless, pltd, $\frac{3}{16}$ OD, 0.030 thkn of wall (use (27 in) TUBING 44-T-5080-10)		
03-4			WO-801271	8673503	TUBE, master cylinder to elbow, assy.....	1	ea
				142431	Composed of: 2 NUT 1 TUBE, S, seamless, pltd, $\frac{3}{16}$ OD, 0.030 thkns of wall (use (30 in) TUBING 44-T-5080-10)		
			WO-802042		TUBE, S, 0.0299 x 2.188/2.122 OD x 2 $\frac{1}{2}$ in lg (rain deflector to flexible hose)	1	ea
03-4			WO-648081	8673483	TUBE, transmission case vent to tee, assy.....	1	ea
				142431	Composed of: 2 NUT 1 TUBE, S, seamless, pltd, $\frac{3}{16}$ OD, 0.030 thkn of wall (use (25 in) TUBING 44-T-5080-10)		
79 03-4			WO-801077	8673324	TUBE, VENT, assy.....	1	ea
				142431	Composed of: 2 NUT 1 TUBE, S, seamless, pltd, $\frac{3}{16}$ OD, 0.030 thkn of wall (use (12 in) TUBING 44-T-5080-10)		
03-4			WO-A12935	8677028	TUBE, VENT, assy.....	1	ea
				142431	Composed of: 2 NUT 1 TUBE, S, seamless, pltd, $\frac{3}{16}$ OD, 0.030 thkns of wall (use (18 in) TUBING 44-T-5080-10)		
			WO-A17840	8393083	VALVE, control, ventilation, assy (supersedes VALVE G740-7375172) (superseded by VALVE G740-7410836)	1	ea
	G740-7375172		WO-648083	7375172	VALVE, control, ventilation, w/PIN, assy (superseded by VALVE 8393083)	1	ea
03-3	G740-7410836		ANB-SK971 WO-804277	7410836	VALVE, control, ventilation w/PIN, assy (supersedes VALVE 8393083)	1	ea
	G740-7372553		WO-A17841	7372553	VALVE, control, ventilation w/o PIN (superseded by VALVE G742-7372752)	1	ea
01-12	G742-7372752		ANB-SK950 WO-804276	7372752	VALVE, control, ventilation, w/o PIN (supersedes VALVE G740-7372553)	1	ea
01-12	G740-5336400		AC-1543018 WO-A6895	5336400	VALVE, ventilator, assy.....	1	ea

(1) ILLUSTRATION NO.	(2) REFER- ENCE SYMBOLS	(3) ORDNANCE STOCK NO.	(4) FEDERAL STOCK NO.	(5) MFR'S PART NO.	(6) ORDNANCE PART NO.	(7) DESCRIPTION	(8) QUANTITY INCOR- PORATED IN UNIT	(9) UNIT OF ISSUE
<b>GROUP 03—FUEL SYSTEM—Continued</b>								
<b>0306—FUEL TANK AND LINES</b>								
03-5		G740-7375010		WO-801559	7375010	ANTI-SQUEAK, fuel tank (1 in wide x 6 $\frac{3}{8}$ in lg).....	1	ea
03-5		G740-7375011		WO-649744	7375011	ANTI-SQUEAK, fuel tank (1 in wide x 10 $\frac{3}{8}$ in lg).....	1	ea
03-5		G740-7375012		WO-801561	7375012	ANTI-SQUEAK, fuel tank (1 in wide x 18 $\frac{11}{16}$ in lg).....	3	ea
		G740-7375013		WO-649743	7375013	ANTI-SQUEAK, hold-down, fuel tank (1 in wide x 24 $\frac{5}{8}$ in lg)	1	ea
		G740-7375015		WO-663075	7375015	BRACKET, fuel tank hold-down, front, inner.....	1	ea
		G740-7375016		WO-804495	7375016	CAP, filler, fuel tank, w/CHAIN, assy.....	1	ea
				WO-804494	7539118	Composed of: 1 CAP, assy 1 DECAL (superseded by CAP, G742-7539118) (used on vehicles after serial No. 14692 and through serial No. 49655)		
03-5		G742-7539118		EAT-IE2183 WO-649760	7539118	CAP, filler, fuel tank, w/CHAIN, assy (supersedes CAP G740-7375016) (optional w/CAP G740-7416477)	1	ea
		G740-7416477		WO-805012	7416477	CAP, filler, fuel tank, w/CHAIN, assy (optional w/CAP G742-7539118)	1	ea
		G740-7375017	2910-737-5017	WO-A1475	7375017	CLAMP, end, fuel tank hold-down strap (used on vehicles through serial No. 54332)	1	ea
	H1	H001-0926073	011-4990	WO-806139	114990	RIVET, SOLID, fl-hd, S, $\frac{3}{16}$ x $\frac{1}{16}$ .....	3	ea
	H1	H001-0926073	011-4990		114990	CLAMP, end, fuel tank hold-down strap, inner (used on vehicles after serial No. 54332)	1	ea
03-5, 6	H1	G740-7375019		WO-649745	7375019	RIVET, SOLID, fl-hd, S, $\frac{3}{16}$ x $\frac{1}{16}$ .....	4	ea
	H1	H001-5419161	012-0229		120229	CLAMP, hold-down, fuel tank.....	1	ea
	H1	H001-7025711	012-0214		120214	BOLT, MACHINE, hex-hd, S, cd or zn-pltd, $\frac{5}{16}$ -18NC-3 x $\frac{1}{8}$	1	ea
03-6	H1	G740-7375018	2910-737-5018	WO-649742	7375018	WASHER, LOCK, med, S, cd or zn-pltd, $\frac{5}{16}$ in.....	1	ea
	H1	H001-5454001	018-1618		181618	CLAMP, fuel tank hold-down strap, outer.....	1	ea
	H1	H001-4040521	050-3345		503345	BOLT, MACHINE, hex-hd, S, cd or zn-pltd, $\frac{5}{16}$ -24NF-3 x 1 $\frac{3}{4}$	1	ea
	H4	H004-0327686			120521	NUT, SELF-LOCKING, HEX, S, cd or zn-pltd, $\frac{5}{16}$ -24NF-3	1	ea
						CLIP, closed, S, cd or zn-pltd, $\frac{1}{4}$ in OD tube, hole for $\frac{1}{4}$ in bolt (superseded by CLIP WO-78316)	1	ea

03-6		G740-7047998		WO-A5449	7047998	CLIP, open, $\frac{5}{16}$ in, hole for $\frac{1}{2}$ in screw (fuel line to fender splasher and dash bracket)	2	ea
	H1	H001-4135661	012-0361		120361	NUT, PLAIN, HEXAGON, S, cd or zn-pltd, No. 10-24NC-2	2	ea
	H1	H001-5148251	5305-012-0221		120221	SCREW, MACH, rd-hd, S, cd or zn-fin, No. 10-24NC-2 x $\frac{1}{2}$	2	ea
	H1	H001-7025621	5310-012-0217		120217	WASHER, LOCK, med, S, cd or zn-pltd, No. 10 (0.190), 0.337 OD (superseded by WASHER 121801)	2	ea
	H1	H001-7021681	5310-012-1801		121801	WASHER, LOCK, S, cd or zn-fin, style No. 2, 0.365 OD, No. 10 screw size (supersedes WASHER 120217)	2	ea
03-6				WO-78316		CLIP, tube, $\frac{1}{4}$ in (fuel line to cross sill (1), fuel line to body sill (1)) (supersedes CLIP 120521)	2	ea
	H1	H101-0127884	5305-012-7884		127884	SCREW, TAPPING, THREAD FORMING, rd-hd, S, cd or zn-fin, No. 10-12 x $\frac{5}{8}$ (superseded by SCREW, H101-0161901)	2	ea
	H1	H101-0161901	5305-016-1901		161901	SCREW, TAPPING, THREAD FORMING, pan-hd, S, cd or zn-fin, No. 10-12 x $\frac{5}{8}$ (fuel line to cross sill (1); fuel line to body sill (1)) (supersedes SCREW, H101-0127884)	2	ea
03-5	H2	H002-7975294			7975294	CLIP, utility cover chain	1	ea
03-6	H6	H006-0214315			137405	CONNECTOR, flared tube, inverted, br, $\frac{1}{4}$ in tube, $\frac{1}{8}$ in male pipe end (tee to fuel line (1); vacuum tube to manifold tee (1))	2	ea
03-6	H6	H106-0191573			191573	CONNECTOR, flared tube, inverted, S, cd or zn-pltd, $\frac{1}{4}$ in tube, $\frac{1}{8}$ in female pipe end (fuel line to valve)	1	ea
	H6	H006-0501672			501672	CONNECTOR, hose, br, $\frac{1}{4}$ in hose, $\frac{1}{4}$ in inverted flared tube fitting end, assy (fuel line to fuel pump hose)	1	ea
	H6	H006-0501668			501668	CONNECTOR, hose, br, $\frac{1}{4}$ in hose, $\frac{1}{4}$ in inverted flared tube fitting nut end, assy (fuel line to fuel pump hose)	1	ea
03-6	H6	H006-0325205			B247446	ELBOW, flared tube, inverted, stght, 90 deg, br, $\frac{1}{4}$ in (fuel line tube to tube fitting)	1	ea
	H6	H106-0143353			143353	ELBOW, flared tube, inverted, 90 deg, br, cd or zn-pltd, $\frac{1}{4}$ in tube, $\frac{3}{8}$ in male pipe end (pump to carburetor (1); fuel line (3))	4	ea
03-5		G740-7375020		EAT-1205	7375020	GASKET, fuel tank cap (ru)	1	ea
				WO-801263				
03-5, 6		G740-7375036		WO-673415	7375036	GROMMET, fuel tank filler neck	1	ea
		G740-7375037		WO-640172	7375037	HOOK, fuel tank hold-down strap	1	ea
	H1	H001-0926073	011-4990		114990	RIVET, SOLID, fl-hd, S, $\frac{3}{16}$ x $\frac{7}{16}$	3	ea
	H7	H007-8839975			33-H-579	HOSE, ru (neoprene), fire resistant, $\frac{1}{4}$ ID, lgh 5 ft (fuel line to fuel pump)	1	ea
03-6		G740-7375038	2910-737-5038	WO-800595	7375038	LINE, flexible, fuel line to fuel pump (for service use (1) CONNECTOR H006-0501668, (1) CONNECTOR H006-0501672 and (1) HOSE 33-H-579)	1	ea



(1) ILLUSTRATION NO.	(2) REFERENCE SYMBOLS	(3) ORDNANCE STOCK NO.	(4) FEDERAL STOCK NO.	(5) MFR'S PART NO.	(6) ORDNANCE PART NO.	(7) DESCRIPTION	(8) QUANTITY INCORPORATED IN UNIT	(9) UNIT OF ISSUE
<b>GROUP 03—FUEL SYSTEM—Continued</b>								
<b>0306—FUEL TANK AND LINES—Continued</b>								
03-6				WO-649880	8673485	LINE, fuel, elbow to shut-off valve, assy.....	1	ea
				WO-638064	142432	Composed of: 1 LOOM, ¼ ID, 1½ in lg 2 NUT		
03-6				WO-649748	8677025	1 TUBE, S, seamless, pltd, ¼ OD, 0.030 thkn of wall (use 50 in TUBING 44-T-5080-15)	1	ea
					143432	LINE, fuel tank to elbow, assy.....		
						Composed of: 1 LOOM, ¼ ID, 2½ in lg 1 LOOM, ¼ ID, 10 in lg 2 NUT		
03-6				WO-800875	8677334	1 TUBE, S, seamless pltd, ¼ ID, 0.030 thkn of wall (use 17 in TUBING 44-T-5080-15)	1	ea
				WO-638064	143432	LINE, fuel, tee to flexible connection, assy.....		
						Composed of: 2 LOOM, ¼ ID, 1½ in lg 2 NUT		
				WO-638064		1 TUBE, S, seamless, pltd, ¼ OD, 0.030 thkn of wall (use 15 in TUBING 44-T-5080-15)	3	ea
03-5		G740-7375039		WO-649749	7375039	LOOM, ¼ ID x 1½ in lg (fuel line to flexible connection (2); elbow to shut-off valve (1))	1	ea
	H6	H006-0230210			142432	NECK, filler, w/STRAINER, assy.....	12	ea
	H6	H106-0143932	014-3932		143932	NUT, inverted flared tube fitting, br, ¼ in (fuel line).....	1	ea
						PLUG, PIPE, CI, cd or zn-fin, sq-hd, ⅝-27NPT, RH thd, (primer connection in fuel line) (used on vehicles after serial No. 47771)		
03-5	H6	H006-0283905	021-9190		219190	PLUG, PIPE, MI, cd or zn-fin, style No. 1, solid-hd, ¼-18NPT, RH thd (fuel tank drain)	1	ea
	H6	H006-0283200	011-3175		113175	PLUG, PIPE, sq-hd, br, pl-fin, ⅝-27NPT (superseded by PLUG 219188)	1	ea
	H6	H006-0283900	021-9188		219188	PLUG, PIPE, sq-hd, MI, zn-ctd, ⅝-27NPT (super- sedes PLUG 113175)	1	ea
		G740-7375040		WO-801273	7375040	SEAL, front floor pan and fuel tank drain plug (black sponge ru)	1	ea
				WO-649735		STRAP, hold-down, fuel tank.....	1	ea

03-6		G740-7375041		WO-649734	7375041	STRAP, hold-down, fuel tank, assy.....	1	ea
03-5, 6		G740-7375042		WO-649759	7375042	TANK, fuel, assy (welded).....	1	ea
03-6	H6	H106-0444118			444118	TEE, pipe, automotive, stght, extended, br, 1/8-27 (dry seal) (fuel line to primer line)	1	ea
				WO-801380	444147	TEE, pipe, S, cd or zn-pltd, 1/8-27 (to intake manifold).....	1	ea
					8673504	TUBE, fuel line, assy.....	1	ea
					142432	Composed of: 2 NUT 1 TUBE, S, seamless, pltd, 1/4 OD, 0.030 thkns of wall (use 15 in TUBING 44-T-5080-15)		
	H7	H007-0218065			44-T-5080-15	TUBING, cop, seamless, soft annealed, size 1/4 OD, 0.030 thkns of wall (fuel lines)	1	ft
03-6		G740-7375043		WO-801439	7375043	VALVE, shut-off, fuel, 1/8 pipe thd.....	1	ea
<b>0309-FUEL FILTER</b>								
03-5		G740-7351316	2910-735-1316	ZP-R32-63 WO-802613	7351316	ELEMENT.....	1	ea
03-5	H1	H001-4135661	012-0361		120361	NUT, PLAIN, HEXAGON, S, cd or zn-pltd, No. 10-24NC-2	1	ea
03-5	H1	H101-0455268			455268	SCREW, fuel tank filter, rd-hd, mach, No. 10-24NC-2 x 4	1	ea
03-5	H1	H001-7025621	5310-012-0217		120217	WASHER, LOCK, med, S, cd or zn-pltd, No. 10-0.194 ID, 0.337 OD	1	ea
	H1	G740-7375366	2910-737-5366	WO-802528	7375366	FILTER, assy.....	1	ea
	H1	H001-4135681	012-0614		120614	NUT, PLAIN, HEX, S, cd or zn-pltd, No. 10, 32NF-2	1	ea
	H1	H001-5148881	5305-013-2919		132919	SCREW, MACH, rd-hd, S, cd or zn-fin, No. 10-32NF-2 x 7/8	1	ea
	H1	H001-7025621	012-0217		120217	WASHER, LOCK, med, S, cd or zn-pltd, No. 10, 0.194 ID, 0.337 OD	1	ea
03-5	H6	G740-7371315		WO-649739	7351315	GASKET, cover plate (neoprene).....	1	ea
		H006-0230208	014-2427		142427	NUT, INVERTED, TUBE COUPLING, br, pl-fin, 1/2-20NF-2 x 11/32 (part of PLATE WO-802609)	1	ea
				WO-801650		PLATE, cover w/filter BRACKET, assy.....	1	ea
03-5				WO-801649		PLATE, cover, w/VENT, assy.....	1	ea
03-5	H1	H001-4135661	012-0361		120361	NUT, PLAIN, HEXAGON, S, cd or zn-pltd, No. 10-24NC-2	1	ea
03-5	H1	H001-5147541	5305-013-2756		132756	SCREW, MACH, rd-hd, S, cd or zn-fin, No. 8-32NC-2 x 1/16	12	ea
03-5	H1	H001-5148291	5305-013-2844		132844	SCREW, MACHINE, rd-hd, S, cd or zn-fin, No. 10-24NC-2 x 7/8	1	ea
03-5	H1	H001-7025621	5310-012-0217		120217	WASHER, LOCK, med, S, cd or zn-pltd, No. 10, 0.194 ID, 0.337 OD	1	ea
03-5				WO-802608		PLATE, end, lower.....	1	ea

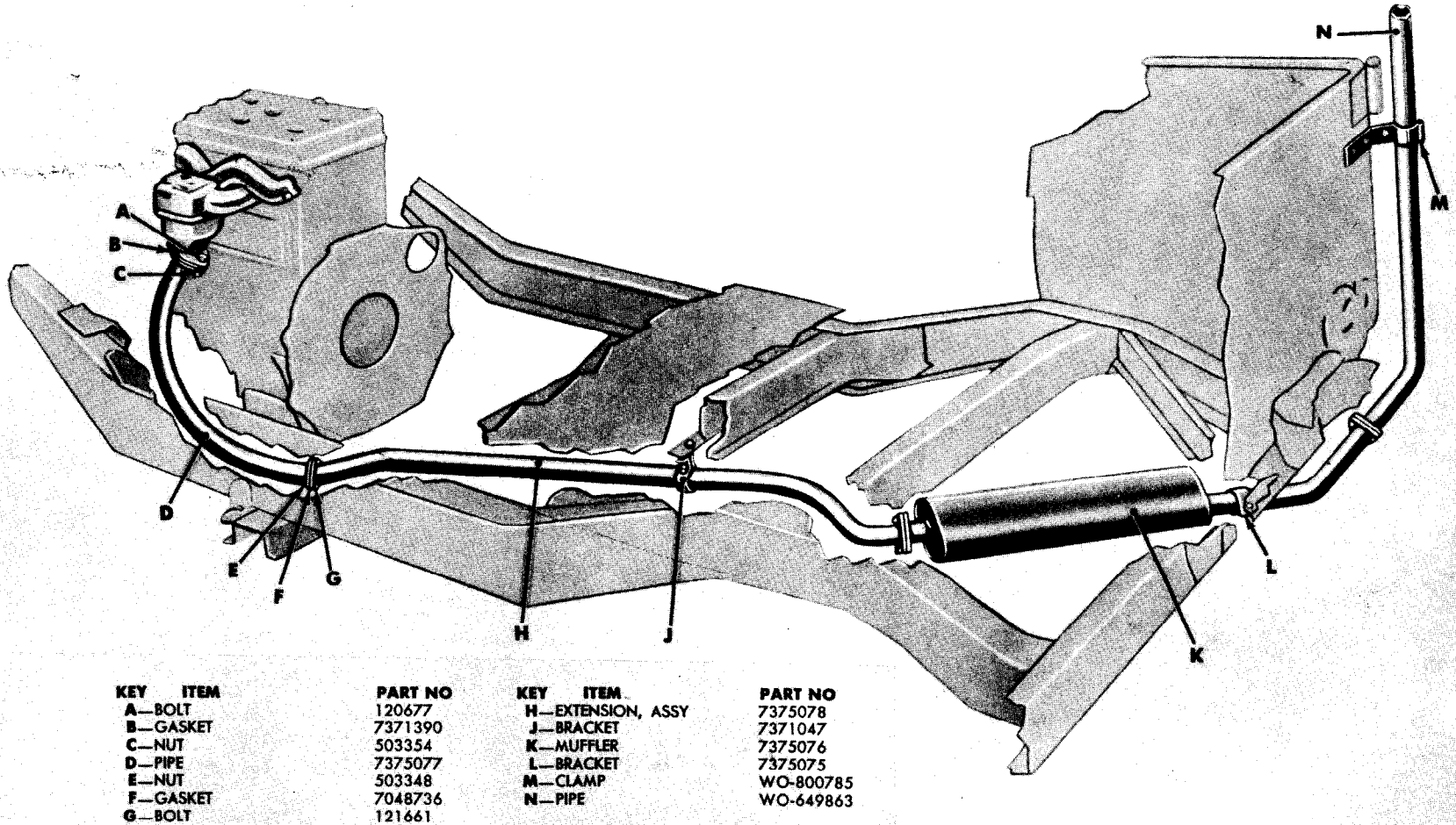
(1) ILLUSTRATION NO.	(2) REFERENCE SYMBOLS	(3) ORDNANCE STOCK NO.	(4) FEDERAL STOCK NO.	(5) MFR'S PART NO.	(6) ORDNANCE PART NO.	(7) DESCRIPTION	(8) QUANTITY INCORPORATED IN UNIT	(9) UNIT OF ISSUE
<b>GROUP 03—FUEL SYSTEM—Continued</b>								
<b>0309—FUEL FILTER—Continued</b>								
03-5				WO-802609		PLATE, end, upper, w/ TUBE and NUT, assy (includes NUT 142427)	1	ea
				EAT-EXW97 WO-649737		VENT, air	1	ea
03-5	H1	H001-0924075 G742-7539073	010-4067 5310-753-9073	WO-648997	104067 7539073	RIVET, SOLID, rd-hd, S, $\frac{3}{16}$ x $\frac{1}{2}$ WASHER, FINISHING, sp, cop, 0.166 ID x 0.3125 OD x 0.625 thk (filter plate to fuel tank) (superseded by WASHER G740-7375147)	4 12	ea ea
03-5		G740-7375147	5310-737-5147	WO-807161	7375147	WASHER, FLAT, sealing, hard lead, 0.165 x 0.169 ID x $\frac{3}{16}$ x 0.05 thk (filter plate to fuel tank) (supersedes WASHER G742-7539073)	12	ea
<b>0311.1—PRIMER PUMP</b>								
(Used only on vehicles through serial No. 47771)								
03-8	H2	H102-0147483		DV-PR3-12	147483	BALL, S, gr A, $\frac{3}{16}$ in (inlet connector (1); outlet chamber check valve (1))	2	ea
		G104-0100152		DV-PR3-50 WO-118305	8330359	BODY, w/BARREL, assy (superseded by BODY, DV-PR5339)	1	ea
03-8				DV-PR5339 WO-119511		BODY, w/BARREL, assy (supersedes BODY 8330359)	1	ea
03-8		G214-7097380		DV-PR3-24 WO-118334	7097380	CAP, outlet diaphragm	1	ea
03-8		G214-7097381		DV-PR20-15 WO-118315	7097381	CONNECTOR, inlet check valve	1	ea
		G214-7033653		DV-PR20-51 WO-118519	7033653	CONNECTOR, inlet check valve, assy	1	ea
03-8		G214-7097382		DV-PR16-11 WO-118329	7097382	CONNECTOR, outlet	1	ea
03-8		G741-7037062	703-7062	DV-PR3-5 WO-118320	7037062	CUP, plunger (leather)	1	ea
		G214-7097384	709-7384	DV-PR3-55 WO-118317	7097384	NUT, hex, br, No. 10-32NF-2 x $\frac{5}{32}$ (superseded by NUT DV-PR5186)	1	ea
03-8				DV-PR5186 WO-119512		NUT, hex, br, No. 10-32NF-2 x $\frac{5}{32}$ (supersedes NUT G214-7097384)	1	ea

03-8		G262-5245651		DV-PR3-22 WO-118332	5245651	DIAPHRAGM	1	ea
03-8	H6	H106-0444038	044-4038		444038	ELBOW, pipe, fbr, end data, both RH thd, 1st style No. 13, 1/8 27NPTF, 2nd end, style No. 16, 1/8 27NPTF	1	ea
03-8		G262-5245645		DV-PR3-23 WO-118331	5245645	GASKET, flexible, br, 1 1/2 ID, 1 15/16 OD, 1/32 thk (diaphragm cap)	1	ea
03-8		G262-5245640		DV-PR3-16 WO-118323	5245640	GLAND, packing, plunger stem	2	ea
03-8		G214-7033652		DV-PR3-21 WO-118333	7033652	GUIDE, diaphragm spring	1	ea
03-8; 18-3		G214-7700819	5980-770-0819	DV-PR22-4 WO-118328	7700819	KNOB, fuel primer pump plunger	1	ea
03-8	H1	H101-0131095	5310-013-1095		131095	WASHER, LOCK, S, cd or zn-fin, style No. 9, 0.310 OD, No. 8 screw size	1	ea
03-8		G214-7097386		DV-BU110 WO-118314	7097386	NUT, inlet connector (3/8 in tube)	1	ea
		G672-7698890		DV-BU010 WO-118499	7698890	NUT, inlet connector, w/SLEEVE, assy	1	ea
		G104-7097371		DV-BU000 WO-118867	7097371	NUT, 1/8 in tube, w/SLEEVE, assy (outlet connector)	1	ea
03-8		G214-7097385		DV-PR25-18 WO-118326	7097385	NUT, plunger rod packing	1	ea
03-8				DV-BU100 WO-118336	7529153	NUT, TUBE SLEEVE	1	ea
03-8		G741-7097359		DV-PR3-17 WO-118324	7097359	PACKING, plunger rod	3	ea
03-8		G214-5245639		DV-PR3-14 WO-118312	5245639	PLUG, retn, outlet check valve spring	1	ea
03-6		G758-8331399		DV-PR4844 WO-801139	8331399	PUMP, primer, w/ELBOW, assy	1	ea
03-8		G214-7097376		DV-PR25-3 WO-118325	7097376	NUT, cap, hand primer pump	1	ea
03-8		G262-5245643		DV-PR3-19 WO-118308	5245643	NUT, hex, br, 3/4-27NC-3 x 3/16	1	ea
		G749-7410563		DV-PR25 WO-118518	7410563	PUMP, primer, w/o ELBOW, assy	1	ea
03-8		G214-7033655		DV-PR8-27 WO-118330	7033655	SCREEN, outlet	1	ea
		G214-7097374		DV-BU200 WO-118337	7097374	SLEEVE, 1/8 in tube (outlet connector)	1	ea
		G214-7097373		DV-BU210 WO-118313	7097373	SLEEVE, 3/16 in tube (inlet connector)	1	ea
03-8		G262-5245638		DV-PR3-13 WO-118311	5245638	SPRING, compression, 0.125 in diam wire, 14 coils, 0.170 OD, 1 1/2 free lgh (outlet check valve ball)	1	ea
03-8		G262-5245644		DV-PR3-20 WO-118335	5245644	SPRING, compression, 0.022 in diam wire, 7 coils, 1 1/2 OD (return diaphragm)	1	ea

(1) ILLUSTRATION NO.	(2) REFERENCE SYMBOLS	(3) ORDNANCE STOCK NO.	(4) FEDERAL STOCK NO.	(5) MFR'S PART NO.	(6) ORDNANCE PART NO.	(7) DESCRIPTION	(8) QUANTITY INCORPORATED IN UNIT	(9) UNIT OF ISSUE
<b>GROUP 03—FUEL SYSTEM—Continued</b>								
<b>0311.1—PRIMER PUMP—Continued</b>								
(used only on vehicles through serial No. 47771)								
		G214-7033656		DV-PR20-13 WO-118316	7033656	SPRING, inlet check valve ball.....	1	ea
		G742-5245630		DV-PR32 WO-118322	5245630	STEM, plunger (superseded by STEM G214-7033654).....	1	ea
03-8		G214-7033654			7033654	STEM, plunger (supersedes STEM G742-5245630).....	1	ea
03-8		G262-7417590		DV-PR3-4 WO-118319	7417590	WASHER, plain, br, No. 10 (plunger stem cup, lower).....	1	ea
		G262-5245634		DV-PR3-6 WO-118321	5245634	WASHER, plain, br, 0.351 OD $\frac{3}{32}$ thk (plunger stem cup, upper)	1	ea
<b>0311.3—PRIMER SYSTEM—LINES AND FITTINGS</b>								
03-6		G740-7375063		WH-101-22803 WO-800347	7375063	CONNECTOR, ball check $\frac{3}{16}$ in tube (primer tube to tee).....	1	ea
03-6		G518-7000997		WO-800802	7000997	GROMMET, split, ru, $\frac{13}{16}$ ID, for $\frac{7}{8}$ hole (in dash for primer tube)	1	ea
03-6		G741-7053669	705-3669	DV-PR20-700 WO-A6878	7053669	NOZZLE, elbow type, priming, cylinder head, assy.....	1	ea
03-6		G741-7374842		DV-PR20-1100 WO-A6877	7374842	NOZZLE, tee type, cylinder head, assy.....	1	ea
	H6	H006-0104080			120704	NUT, flared tube fitting, lg, br, $\frac{3}{16}$ in.....	1	ea
03-6		G758-8331452		WO-A6954	8331452	TUBE, primer tee to elbow, $\frac{1}{8}$ OD, $7\frac{1}{16}$ dev lgh.....	1	ea
03-6		G758-8331450		WC-801129	8331450	TUBE, primer to ball check connector, assy.....	1	ea
					120704	Composed of:		
					44-T-5080-10	1 NUT		
					44-T-5080-10	1 TUBE, S, $\frac{1}{8}$ OD x 20 dev lgh		
03-6		G758-8331451		WO-801128	8331451	TUBE, primer to manifold tee, $\frac{1}{8}$ OD x 18 dev lgh.....	1	ea
	H7	H007-0218040			44-T-5080-10	TUBING, cop, seamless, soft annealed, size $\frac{3}{16}$ in, 0.188 OD, 0.035 thkns of wall	1	ea
<b>0312—ACCELERATOR, HAND THROTTLE, AND CHOKE CONTROL</b>								
		G503-7371451		WO-633013	7371451	BLOCK, adj, throttle rod.....	1	ea
03-7		G503-7361994		WO-646073	7361994	BOOT, accelerator pedal link (on floor board).....	1	ea

03-7	H1	G740-7375117		WO-639607		BRACKET, accelerator cross shaft.....	1	ea
		G503-7368258		WO-640246	7375117	CLIP, accelerator retracting spring (carburetor stud).....	1	ea
03-7	H1	H001-4135661	012-0361	WO-639610	7368258	CLIP, throttle rod retracting spring.....	1	ea
					120361	NUT, PLAIN, HEXAGON, S, cd or zn-pltd, No. 10-24NC-2	2	ea
03-7	H1	G740-7375391	2540-737-5391	WO-800404		CONDUIT, choke control, w/GUIDE, assy.....	1	ea
		H001-4135661	012-0361	WO-801289		CONDUIT, throttle control, w/GUIDE, assy.....	1	ea
03-7	H1	H001-7025621	5310-012-0217	WO-801854	7375391	CONNECTOR, accelerator, cross shaft.....	1	ea
					120361	NUT, PLAIN, HEXAGON, S, cd or zn-pltd, No. 10 (0.190)-24NC-2	1	ea
03-7	H1	H001-7021681	5310-012-8101		120217	WASHER, LOCK, med, S, cd or zn-pltd, No. 10, 0.194 ID, 0.337 OD (superseded by WASHER 121801)	1	ea
					121801	WASHER, LOCK, S, cd or zn-fin, style No. 2, 0.365 OD, No. 10 screw size (supersedes WASHER 120217)	1	ea
03-7; 18-3	H1	G740-7375115	2540-737-5115	WO-801683	7375115	CONTROL ASSY, MANUAL CONDUIT AND CORE.....	1	ea
		H001-4167601	012-0369		120369	NUT, PLAIN, HEXAGON, S, lt, s-fin, cd or zn-pltd, 3/8-24NF-2 (used on vehicles through serial No. 64992)	1	ea
03-7; 18-3	H1	H101-0271193			271193	NUT, hex, w/ext lockwasher, Keps style, 3/8-24NF-3 (used on vehicles after serial No. 64992)	1	ea
		H001-7021801	5310-013-8542		138542	WASHER, LOCK, S, cd or zn-fin, style No. 2, 0.67 OD, 3/8 in bolt size (used on vehicles through serial No. 64992)	1	ea
03-7; 18-3	H1	G740-7375116	2540-737-5116	WO-800401	7375116	CONTROL, choke, assy.....	1	ea
		H001-4167601	012-0369		120369	NUT, PLAIN, HEXAGON, lt, s-fin, cd or zn-pltd, 3/8-24NF-2 (used on vehicles through serial No. 64992)	1	ea
03-7; 18-3	H1	H101-0271193			271193	NUT, hex, w/ext lockwasher, Keps style, 3/8-24NF-3 (used on vehicles after serial No. 64992)	1	ea
		H001-7021801	5310-013-8542		138542	WASHER, LOCK, S, cd or zn-fin, style No. 2, 0.67 OD, 3/8 in bolt size (used on vehicles through serial No. 64992)	1	ea
03-7	H2	G740-7375064		WO-800803	7375064	GROMMET, RUBBER, split, 5/8 ID, 27/32 x 1/16 groove diam (superseded by GROMMET H102-0120013) (in dash for choke and throttle controls)	1	ea
		H102-0120013			120013	GROMMET, RUBBER, split, 5/8 ID, 27/32 x 1/16 groove diam (supersedes GROMMET G740-7375064) (in dash for choke and throttle controls)	1	ea
03-7; 18-3	H1	G740-7375114		WO-650482	7375114	HINGE, accelerator pedal.....	1	ea
				WO-800403		KNOB, choke control, w/PLUNGER and WIRE, assy.....	1	ea
03-7; 18-3	H1			WO-801685		KNOB, throttle control, w/PLUNGER and WIRE, assy.....	1	ea
				WO-801307		LINK, connector, accelerator.....	1	ea
03-7	H1	H001-4035571	050-3262	WO-801308	8677341	PEDAL, accelerator, w/HINGE and LINK, assy.....	1	ea
					503262	NUT, SELF-LOCKING, HEXAGON, S, cd or zn-pltd, No. 10-24NC-3	2	ea
03-7	H1	H101-0123854	5305-012-3854		123854	SCREW, mach, fl-hd, S, cd or zn-fin, No. 10-24NC-2 x 1/2	2	ea

(1)	(2)	(3)	(4)	(5)	(6)	(7)	(8)	(9)
ILLUSTRATION NO.	REFERENCE SYMBOLS	ORDNANCE STOCK NO.	FEDERAL STOCK NO.	MFR'S PART NO.	ORDNANCE PART NO.	DESCRIPTION	QUANTITY INCORPORATED IN UNIT	UNIT OF ISSUE
						<b>GROUP 03—FUEL SYSTEM—Continued</b>		
						<b>0312—ACCELERATOR, HAND THROTTLE, AND CHOKE CONTROLS—Continued</b>		
	H1	G740-7375113 H001-4417131	2540-737-5113 013-7141	WO-801309	7375113 137141	PEDAL, accelerator, w/LINK, assy.....	1	ea
	H1	H001-0811025	010-3361		103361	PIN, COTTER, split, S, cd or zn-pltd, $\frac{1}{16}$ x $\frac{5}{8}$ in (accelerator cross shaft)	1	ea
03-7	H1	H001-4417121			112726	PIN, cotter, split, S, $\frac{1}{16}$ x $\frac{1}{2}$ (supersedes PIN, 103361)	1	ea
	H1	H101-0590928			590928	PIN, STRAIGHT, $2\frac{5}{64}$ x $\frac{1}{4}$ diam (supersedes PIN, G740-7375112)	1	ea
		G740-7375112	5315-717-5112	WO-650484	7375112	PIN, $2\frac{5}{64}$ x $\frac{1}{4}$ diam (superseded by PIN, H101-0590928)	1	ea
03-7; 18-3		G740-7375392	2540-737-5392	WO-800783	7375392	REST, foot, accelerator.....	1	ea
03-7	H1	H001-4185561	012-4920		124920	NUT, PLAIN, HEXAGON, S, lt, s-fin, cd or zn-fin, $\frac{5}{16}$ -24NF-2	1	ea
		G503-7371450		WO-A1175	7371450	ROD, throttle.....	1	ea
03-7		G740-7375111	2910-737-5111	WO-A1273	7375111	ROD, throttle, assy.....	1	ea
	H1	H001-0811025	010-3361		103361	PIN, COTTER, split, S, $\frac{1}{16}$ x $\frac{1}{2}$ (superseded by PIN, 112726)	2	ea
03-7	H1	H001-4417121			112726	PIN, cotter, split, S, $\frac{1}{16}$ x $\frac{1}{2}$ (supersedes PIN, 103361)	2	ea
		G503-7324835	5310-732-4835	WO-51662	7324835	WASHER, FLAT, No. 8 (superseded by WASHER, H101-0502243)	2	ea
03-7	H1	H101-0502243	5310-050-2243		502243	WASHER, FLAT, $\frac{7}{32}$ ID, $\frac{3}{8}$ OD, 0.035 thk (supersedes WASHER, G503-7324835)	2	ea
03-7		G740-7375069		WO-801303	7375069	SHAFT, cross, accelerator, w/LEVER and BRACKET, assy	1	ea
03-7	H1	H101-0121867	012-1867		121867	BOLT, MACHINE, hex-hd, S, cd or zn-pltd, $\frac{1}{4}$ -20NC-3 x $\frac{9}{16}$	2	ea
03-7	H1	H001-7025681	012-0380		120380	WASHER, LOCK, med, S, cd or zn-pltd, $\frac{1}{4}$ in.....	2	ea
		G503-7371449		WO-632174	7371449	SPRING, accelerator cross shaft.....	1	ea
		G503-7371454		WO-650483	7371454	SPRING, accelerator pedal hinge.....	1	ea
03-7		G740-7375068		WO-644067	7375068	SPRING, retracting, accelerator pedal.....	1	ea
03-7		G503-7371193		WO-372438	7371193	STOP, throttle wire.....	1	ea
03-7	H1	H001-5147511	5305-012-2159		122159	SCREW, MACH, rd-hd, S, cd or zn-pltd, No. 8-32NC-2A x $\frac{1}{4}$	1	ea
		G503-7371194		WO-A8834	7371194	STOP, throttle wire, w/SCREEN, assy.....	1	ea
		G503-7324833		WO-52725	7324833	WASHER, fl, sp, cd-pltd, $\frac{5}{16}$ in (accelerator cross shaft)	3	ea



NOTE: ALL PARTS ARE LISTED IN GROUP 0401

RA PD 367421

Figure 04-1. Exhaust system

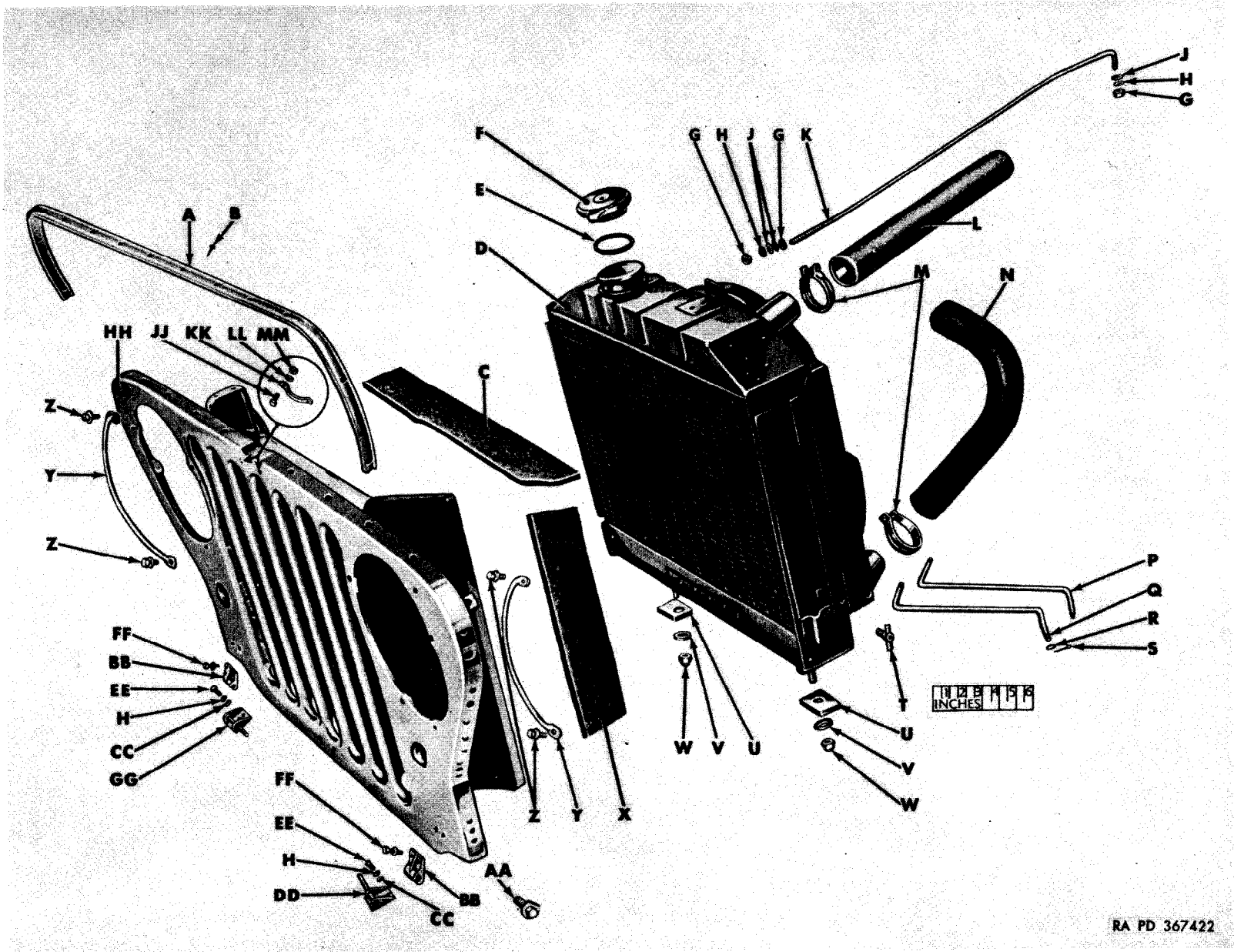


0401

(1)	(2)	(3)	(4)	(5)	(6)	(7)	(8)	(9)
ILLUSTRATION NO.	REFERENCE SYMBOLS	ORDNANCE STOCK NO.	FEDERAL STOCK NO.	MFR'S PART NO.	ORDNANCE PART NO.	DESCRIPTION	QUANTITY INCORPORATED IN UNIT	UNIT OF ISSUE
						<b>GROUP 04—EXHAUST SYSTEM</b>		
						<b>0401—MUFFLER AND EXHAUST PIPE</b>		
04-1		G740-7375075	2990-737-5075	WO-800799	7375075	BRACKET, muffler support clamp.....	1	ea
04-1	H1	H001-5419861	012-1661		121661	BOLT, MACHINE, hex-hd, S, cd or zn-pltd, 5/16-24NF-3 x 1	1	ea
04-1	H1	H001-0725260	050-3348		503348	NUT, SELF-LOCKING, HEXAGON, 5/16-24NF-3 (critical installations)	1	ea
04-1		G503-7371047	2990-737-1047	WO-A15498	7371047	BRACKET, supporting, exhaust pipe extension.....	1	ea
04-1	H1	H001-5419861	012-1661		121661	BOLT, MACHINE, hex-hd, S, cd or zn-pltd, 5/16-24NF-3 x 1	1	ea
04-1	H1	H001-0725260	050-3348		503348	NUT, SELF-LOCKING, HEXAGON, br, 5/16-24NF-3 (critical installations) (ext support brkt to ext pipe (1); ext support brkt to frame (1))	2	ea
	H1	H001-5419781	012-3473		123473	SCREW, cap, hex-hd, S, cd or zn-pltd, 5/16-24NF-3 x 5/8 (used on vehicles through serial No. 27690)	1	ea
	H1	H101-0123785	012-3785		123785	SCREW, cap, hex-hd, S, cd or zn-pltd, 5/16-24NF-3 x 1 1/2 (used on vehicles after serial No. 27690)	1	ea
	H1	H001-7043711	5310-012-0393		120393	WASHER, FLAT, light series, S, 5/16 in, cd or zn-pltd, 1/32 ID, 1/16 OD, 0.065 thk	1	ea
04-1				WO-800785		CLAMP, assy (tail pipe to body).....	1	ea
	H1	H001-5419181	012-2017		122017	BOLT, MACHINE, hex-hd, S, cd or zn-pltd, 5/16-18NC-3 x 1	1	ea
	H1	H101-0142745	014-2745		142745	NUT, PLAIN, WING, lt, S, cd or zn-pltd, 5/16-18NC-2	1	ea
	H1	H001-7043711	5310-012-0393		120393	WASHER, FLAT, lt series, S, 5/16 in, cd or zn-pltd, 1/32 ID, 1/16 OD, 0.065 thk	1	ea
	H1	H001-7025711	5310-012-0214		120214	WASHER, LOCK, med, S, cd or zn-pltd, 5/16 in	1	ea
	H1	H001-0924192	013-4693	WO-A17615	134693	CLAMP, long (tail pipe to body).....	1	ea
				WO-A17614		RIVET, SOLID, b-hd, S, 9/32 x 1 3/4	1	ea
						CLAMP, short (tail pipe to body).....	1	ea
04-1		G740-7375078	2990-737-5078	WO-649868	7375078	EXTENSION, exhaust pipe, w/BRACKET, assy.....	1	ea
04-1	H1	H001-5419861	012-1661		121661	BOLT, MACHINE, hex-hd, S, cd or zn-pltd, 5/16-24NF-3 x 1	6	ea
04-1	H1	H001-0725260	050-3348		503348	NUT, SELF-LOCKING, HEXAGON, br, 5/16-24NF-3 (critical installations)	6	ea
04-1		G740-7048736		WO-A7967	7048736	GASKET (exhaust pipe to extension (1); extension to muffler flange (1); muffler to tail pipe (1))	3	ea

90

04-1		G503-7371390		WO-634814	7371390	GASKET, exhaust pipe flange (manifold end).....	1	ea
04-1		G740-7375076		MAR-2539 WO-649865	7375076	MUFFLER, exhaust, w/BRACKET, assy.....	1	ea
04-1		G740-7375077	2990-737-5077	WO-649869	7375077	PIPE, exhaust.....	1	ea
04-1	H1	H001-5421341	012-0677		120677	BOLT, MACHINE, hex-hd, S, cd or zn-pltd, $\frac{3}{8}$ - 24NF-3 x $1\frac{1}{2}$	1	ea
04-1	H1	H001-0725270	050-3354		503354	NUT, SELF-LOCKING, HEXAGON, br, plain, $\frac{3}{8}$ - 24NF-3 (critical installations)	2	ea
	H1	H001-1312520			103196	STUD, S, $\frac{3}{8}$ -16NC-2 x $\frac{3}{8}$ -24NF-2 x $1\frac{9}{16}$ (superseded by STUD, H101-0178453)	1	ea
01-13	H1	H101-0178453			178453	STUD, S, cd or zn-pltd, $\frac{3}{8}$ -16NC ( $\frac{9}{16}$ ) x $\frac{3}{8}$ -24NF-2 ( $\frac{5}{8}$ ) x $1\frac{9}{16}$ (supersedes STUD, 103196)	1	ea
04-1				WO-649863		PIPE, tail, exhaust, assy.....	1	ea
04-1	H1	H001-5419861	012-1661		121661	BOLT, MACHINE, hex-hd, S, cd or zn-pltd, $\frac{5}{16}$ - 24NF-3 x 1	3	ea
04-1	H1	H001-0725260	050-3348		503348	NUT, SELF-LOCKING, HEXAGON, br, $\frac{5}{16}$ -24NF-3, (critical installations)	5	ea
		G740-8328138		WO-666619	8328138	SPACER, support bracket to frame (used on vehicles after serial No. 27690)	1	ea

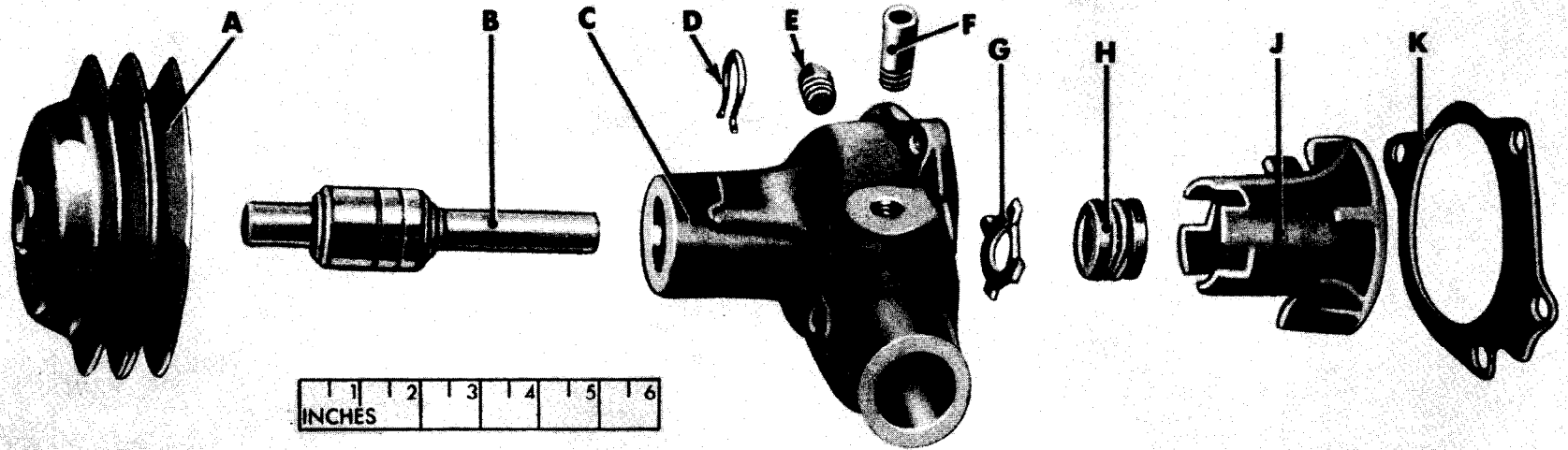


RA PD 367422

Figure 05-1. Radiator and guard—exploded view

<i>Key</i>	<i>Item</i>	<i>Part No.</i>	<i>Group</i>	<i>Key</i>	<i>Item</i>	<i>Part No.</i>	<i>Group</i>
A	-LINER.....	WO-663520	2101	U	-CUSHION.....	7701327	0501
B	-RIVET.....	113454	2101	V	-WASHER.....	446485	0501
C	-SEAL.....	WO-674917	0502	W	-NUT.....	120370	0501
D	-RADIATOR, ASSY.....	7372801	0501	X	-SEAL.....	WO-674916	0502
E	-GASKET.....	5262210	0501	Y	-GUARD.....	7372882	2101
F	-CAP.....	7375030	0501	Z	-BOLT.....	425380	2101
G	-NUT.....	120368	0501	AA	-SCREW.....	7372886	2101
H	-WASHER.....	120214	0501	BB	-HINGE.....	7697592	2101
J	-WASHER.....	120393	0501	CC	-WASHER.....	446363	2101
K	-ROD.....	7701326	0501	DD	-PIN, ASSY.....	7372887	2101
L	-HOSE.....	8676986	0503	EE	-BOLT.....	120213	2101
M	-CLAMP.....	502917	0503	FF	-SCREW.....	7697446	2101
N	-HOSE.....	7697589	0503	GG	-PIN, ASSY.....	7372888	2101
P	-ROD.....	7372804	0501	HH	-GUARD.....	7372883	2101
Q	-ROD.....	7372803	0501	JJ	-SCREW.....	123854	2101
R	-WASHER.....	120395	0501	KK	-LOOP.....	7697591	2101
S	-PIN.....	121222	0501	LL	-WASHER.....	120217	2101
T	-COCK.....	103647	0501	MM	-NUT.....	120361	2101

Figure 05-1. Radiator and guard—exploded view—legend



KEY	ITEM	PART NO.	GROUP
A	PULLEY	7372816	0505
B	BEARING, ASSY	7372814	0504
C	BODY	7372807	0504
D	SPRING	7371385	0504
E	PLUG	143981	0504

NOTE: ITEM K IS NOT PART OF ASSY 7372806

KEY	ITEM	PART NO.	GROUP
F	NIPPLE	7372808	0503
G	WASHER	7362105	0504
H	SEAL	7372809	0504
J	IMPELLER	7371383	0504
K	GASKET	7411250	0504

RA PD 367423

Figure 05-2. Water pump, assy (7372806)—exploded view

(1)	(2)	(3)	(4)	(5)	(6)	(7)	(8)	(9)
ILLUSTRATION NO.	REFERENCE SYMBOLS	ORDNANCE STOCK NO.	FEDERAL STOCK NO.	MFR'S PART NO.	ORDNANCE PART NO.	DESCRIPTION	QUANTITY INCORPORATED IN UNIT	UNIT OF ISSUE
<b>GROUP 05—COOLING SYSTEM</b>								
<b>0501—RADIATOR</b>								
05-1		G740-7375030		STN-AAX-0834 EAT-IE-2249 WO-801728	7375030	CAP, filler neck (pressure type).....	1	ea
05-1	H6	H106-0103647			103647	COCK, drain, tee-hdle, br, ¼ in male pipe end, assy (type C)	1	ea
		G503-7701328		WO-A4414	7701328	CUSHION, ru, 3 in lg, 1½ in wide, ⅛ in thk (optional w/CUSHION, G503-7701327) (radiator to frame)	†	ea
05-1		G503-7701327		WO-A4413	7701327	CUSHION, ru, 3 in lg, 1½ in wide, ⅛ in thk (optional w/CUSHION, G503-7701328) (radiator to frame)	†	ea
05-1		G501-5262210		DGM-DG48 WO-A1216 WO-810058	5262210	GASKET, filler neck cap (for service use GASKET, WO-810058)	1	ea
						GASKET, ru, 1.687 ID, 2.123 OD, 0.062 thk (filler neck cap) (for service only)	1	ea
05-1		G740-7372801	2930-737-2801	WO-649855	7372801	RADIATOR, w/TANK and SHROUD, assy.....	1	ea
05-1	H1	H001-4167641	012-0370		120370	NUT, PLAIN, HEXAGON, lt, s-fin, S, cd or zn-pltd, ⅜-20NF-2	2	ea
05-1	H1	H101-0446485	044-6485		446485	WASHER, FLAT, extra-hv series, S, ⅜ in, cd or zn-pltd	2	ea
05-1		G503-7701326	2530-770-1326	WO-A1217	7701326	ROD, brace.....	1	ea
05-1	H1	H001-4167561	012-0368		120368	NUT, PLAIN, HEXAGON, lt, s-fin, S, cd or zn-pltd, ⅝-24NF-2	3	ea
05-1	H1	H001-7025711	5310-012-0214		120214	WASHER, LOCK, S, ⅜ in, med, cd or zn-pltd.....	2	ea
05-1	H1	H001-7043711	5310-012-0393		120393	WASHER, FLAT, lt series, S, ⅜ in, cd or zn-pltd, 1½ ID, 1½ OD, 0.065 thk	2	ea
05-1		G740-7372803		WO-649861	7372803	ROD, support, left (to engine).....	1	ea
05-1		G740-7372804	2930-737-2804	WO-649862	7372804	ROD, support, right (to engine).....	1	ea
05-1	H1	H101-0121222	012-1222		121222	PIN, COTTER, ⅜ x ¼, coml S, cd or zn-pltd.....	2	ea
05-1	H1	H001-7043771	5310-012-0395		120395	WASHER, FLAT, lt series, S, ⅜ in, cd or zn-pltd, 1½ ID, 5¼ OD, 0.065 thk	2	ea
<b>0502—RADIATOR AIR DEFLECTORS AND SEALS</b>								
				WO-674693		DEFLECTOR, air, radiator, left.....	1	ea
				WO-674694		DEFLECTOR, air, radiator, right.....	1	ea
				WO-663534		DEFLECTOR, air, radiator, top.....	1	ea
05-1				WO-674916		SEAL, air, left and right deflector to radiator.....	2	ea
05-1				WO-674917		SEAL, air, top deflector to radiator.....	1	ea

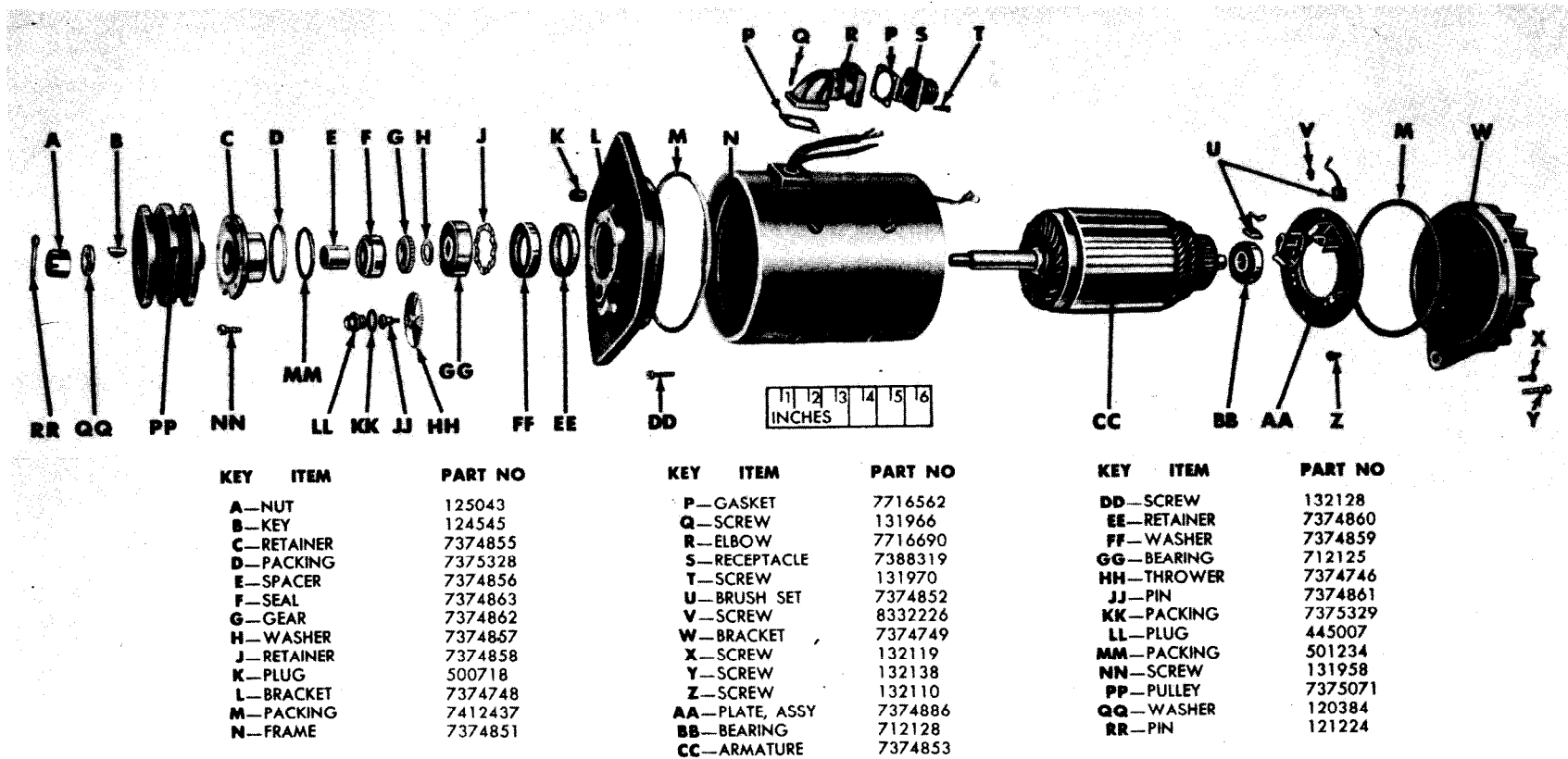
55

0502

(1) ILLUSTRATION NO.	(2) REFERENCE SYMBOLS	(3) ORDNANCE STOCK NO.	(4) FEDERAL STOCK NO.	(5) MFR'S PART NO.	(6) ORDNANCE PART NO.	(7) DESCRIPTION	(8) QUANTITY INCORPORATED IN UNIT	(9) UNIT OF ISSUE	
<b>GROUP 05-COOLING SYSTEM-Continued</b>									
<b>0503-WATER LINES AND THERMOSTAT</b>									
05-1	H6	H006-0502912			502912	CLAMP, hose, coml S, cd or zn-pltd, 7/8 in (used on engines through serial No. 52770)	2	ea	
	H6	H006-0502913			502913	CLAMP, hose, coml S, cd or zn-pltd, 1 in (used on engines after serial No. 52770 through 97921)	2	ea	
	H6	H006-0502920			502920	CLAMP, hose, coml S, cd or zn-pltd, 1 7/8 in (used on vehicles through serial No. 58179)	4	ea	
	H6	H006-0502917			502917	CLAMP, hose, radiator S, cd or zn-pltd, 1 1/2 in (supersedes CLAMP, G758-8328455) (used on vehicles after serial No. 58179)	4	ea	
05-1		G758-8328455		WO-807710	8328455	CLAMP, hose, radiator, S, cd or zn-pltd, 1.906 in (superseded by CLAMP, H006-0502917) (used on vehicles after serial No. 58179)	4	ea	
	H6	H006-0211612			500658	CLAMP, hose, S, zn-pltd, 29/32 in diam (used on engines after serial No. 97921)	2	ea	
		G503-7531612		WO-639650	7531612	GASKET, thermostat housing	1	ea	
				WO-801044	8676986	HOSE, RADIATOR, UPPER, ru, 1 1/2 ID x 12 1/4 in	1	ea	
				WO-801057	8673327	HOSE, RADIATOR, WATER OUTLET, ru, 1 1/2 ID x 14 dev lgh (moulded)	1	ea	
	01-1		G740-7697588		WO-801047	7697588	HOSE, ru, 1 1/2 ID x 4 in (water by-pass pump to cylinder head)	1	ea
	05-1		G740-7697589		WO-801090	7697589	HOSE, water outlet, radiator, w/REINFORCEMENT, assy	1	ea
	01-3		G503-7371377	2930-354-3742	WO-A1192	7371377	HOUSING, thermostat	1	ea
		H1	H101-9409111			9409111	BOLT, MACHINE, lock washer, hex-hd, 3/8-16NC x 1 1/8	3	ea
	05-2		G740-7372808		WO-649720	7372808	NIPPLE, hose, 1/4 in pipe thd (cylinder head)	1	ea
				WO-645905	8673965	REINFORCEMENT, radiator outlet hose	1	ea	
		G503-7371386		WO-639651	7371386	RETAINER, thermostat	1	ea	
		G740-7348571		SDH-SA-752-8 WO-646812	7348571	THERMOSTAT, water temperature (superseded by THERMOSTAT, G179-5307509) (optional w/THERMOSTAT, G716-8329966)	1	ea	
		G716-8329966		WO-646232	8329966	THERMOSTAT, water temperature, assy (superseded by THERMOSTAT, G179-5307509) (optional w/THERMOSTAT, G740-7348571)	1	ea	
		G179-5307509			5307509	THERMOSTAT, water temperature, assy (supersedes THERMOSTAT, G716-8329966 and THERMOSTAT, G740-7348571)	1	ea	

					<b>0504—WATER PUMP</b>		
05-2	H12	H012-7372814		7372814	BEARING, w/SHAFT, assy, fan and pump, $\frac{5}{32} \times 2\frac{27}{64} \times \frac{61}{64}$	1 ea	
05-2		G740-7372807		WO-800885	7372807	BODY	1 ea
05-2		G716-7411250		WO-637053	7411250	GASKET (to cylinder block)	1 ea
05-2		G503-7371383		WO-639993	7371383	IMPELLER, water pump	1 ea
05-2	H6	H106-0143981	014-3981		143981	PLUG, PIPE, S, cd or zn-fin, sq, $\frac{1}{2}$ -14NPT, RH thd	1 ea
01-3; 05-2		G740-7372806	2930-737-2806	WO-800002	7372806	PUMP, water, assy	1 ea
	H1	H101-9409098			9409098	BOLT, MACHINE, header-pt, hex-hd, w/spring lock washer, S, cd or zn-pltd, $\frac{5}{16}$ -18NC-2 x $\frac{7}{8}$	3 ea
	H1	H101-0455145			455145	SCREW, w/lock washer, hex-hd, S, cd or zn-pltd, $\frac{5}{16}$ -18NC-2 x $2\frac{1}{2}$	1 ea
		G740-7372810		WO-801049	7372810	SEAL (optional w SEAL, G740-7372809)	1 ea
05-2		G740-7372809		WO-801048	7372809	SEAL (optional w SEAL, G740-7372810)	1 ea
05-2		G503-7371385		WO-636298	7371385	SPRING, retaining, bearing	1 ea
		G740-7372811		WO-800003	7372811	WASHER, seal, $\frac{11}{16}$ ID, $1\frac{11}{32}$ OD, $\frac{1}{8}$ thk (superseded by WASHER, G503-7362105)	1 ea
05-2		G503-7362105		CPH-BW5-625	7362105	WASHER, seal, $\frac{11}{16}$ ID, $1\frac{5}{8}$ OD, $\frac{1}{8}$ thk (supersedes WASHER, G740-7372811)	1 ea
					<b>0505—FAN BELT AND PULLEY</b>		
01-1, 3		G740-7697614		WO-801699	7697614	BELT, drive, fan and generator (optional w BELT, WO-806764)	2 ea
				WO-806764		BELT, drive, fan and generator (optional w/BELT, G740-7697614)	2 ea
01-1, 3	H1	G740-7375021	2930-737-5021	WO-802187	7375021	BLADE, engine	1 ea
	H1	H001-5417601	012-0854		120854	BOLT, MACHINE, cap, hex-hd, S, cd or zn-pltd, $\frac{1}{4}$ -20NC-3 x $\frac{5}{8}$ (superseded by BOLT, H101-9409107)	4 ea
	H1	H101-9409107			9409107	BOLT, MACHINE, hex-hd, w/spring lock washer, S, cd or zn-pltd, $\frac{1}{4}$ -20NC-2 x $\frac{5}{8}$ (supersedes BOLT, 120854 and WASHER, 121637)	4 ea
	H1	H001-7023681	012-1637		121637	WASHER, LOCK, $\frac{1}{4}$ in, lt, S, cd or zn-pltd, $\frac{1}{4}$ in (superseded by BOLT, H101-9409107)	4 ea
05-2		G740-7372816		WO-649721	7372816	PULLEY, driven, fan and water pump (twin groove)	1 ea





KEY	ITEM	PART NO
A	NUT	125043
B	KEY	124545
C	RETAINER	7374855
D	PACKING	7375328
E	SPACER	7374856
F	SEAL	7374863
G	GEAR	7374862
H	WASHER	7374857
J	RETAINER	7374858
K	PLUG	500718
L	BRACKET	7374748
M	PACKING	7412437
N	FRAME	7374851

KEY	ITEM	PART NO
P	GASKET	7716562
Q	SCREW	131966
R	ELBOW	7716690
S	RECEPTACLE	7388319
T	SCREW	131970
U	BRUSH SET	7374852
V	SCREW	8332226
W	BRACKET	7374749
X	SCREW	132119
Y	SCREW	132138
Z	SCREW	132110
AA	PLATE, ASSY	7374886
BB	BEARING	712128
CC	ARMATURE	7374853

KEY	ITEM	PART NO
DD	SCREW	132128
EE	RETAINER	7374860
FF	WASHER	7374859
GG	BEARING	712125
HH	THROWER	7374746
JJ	PIN	7374861
KK	PACKING	7375329
LL	PLUG	445007
MM	PACKING	501234
NN	SCREW	131958
PP	PULLEY	7375071
QQ	WASHER	120384
RR	PIN	121224

NOTE: ALL THE ABOVE PARTS ARE LISTED IN GROUP 0601.1

RA PD 367424

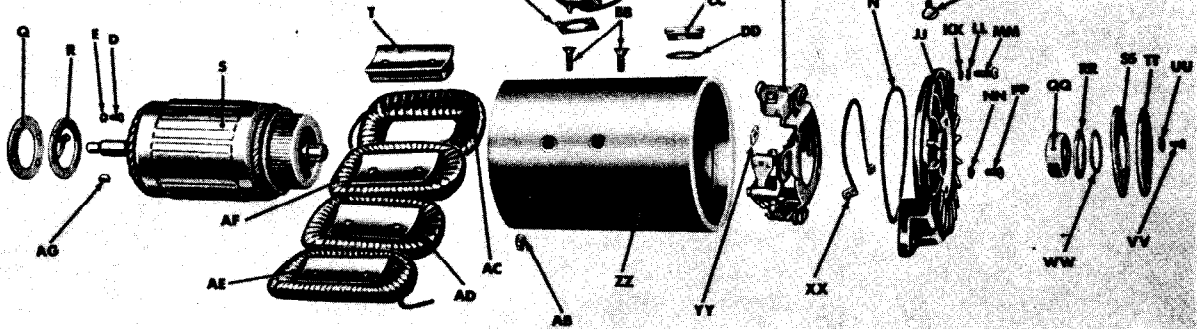
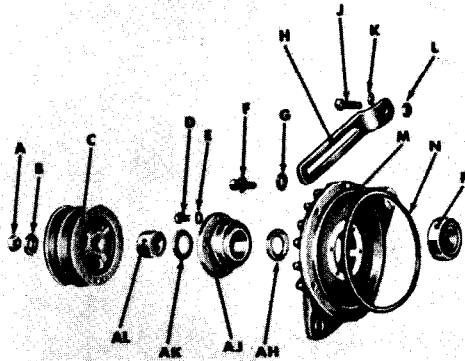
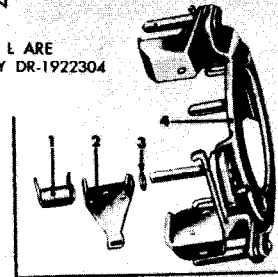
Figure 06-1. Generator assy, 24-volt, Auto-Lite (8673350)—exploded view

KEY ITEM	PART NO
A—NUT	453327
B—WASHER	120396
C—PULLEY	7375071
D—SCREW	453281
E—WASHER	453473
F—BOLT W. LOCKWASHER	423571
G—WASHER	120394
H—BRACE	7375388
J—BOLT	7371188
K—WASHER	120382
L—NUT	120369
M—HEAD	7538756
N—PACKING	546886
P—BEARING	7413226
Q—PLATE	7538760
R—BRUSH, ASSY	7538784

KEY ITEM	PART NO
S—ARMATURE	7413317
T—SHOE	DR-1921755
U—SCREW	453847
V—WASHER	453299
W—RECEPTACLE, ASSY	7388319
X—GASKET	7716562
Y—ELBOW	7716690
Z—SCREW	131987
AA—CAPACITOR	7538751
BB—SCREW	453308
CC—PLUG	7391017
DD—GASKET	7391018
EE—PLATE, ASSY	7413318
1—SPRING	7413315
2—ARM	7373350
3—WASHER	7538767
4—PLATE	DR-1921761

NOTE: ALL ITEMS LISTED ARE IN GROUP 0601.3  
 NOTE: ITEMS F, G, H, J, K, AND L ARE NOT PART OF ASSEMBLY DR-1922304

1	2	3	4	5	6
INCHES					



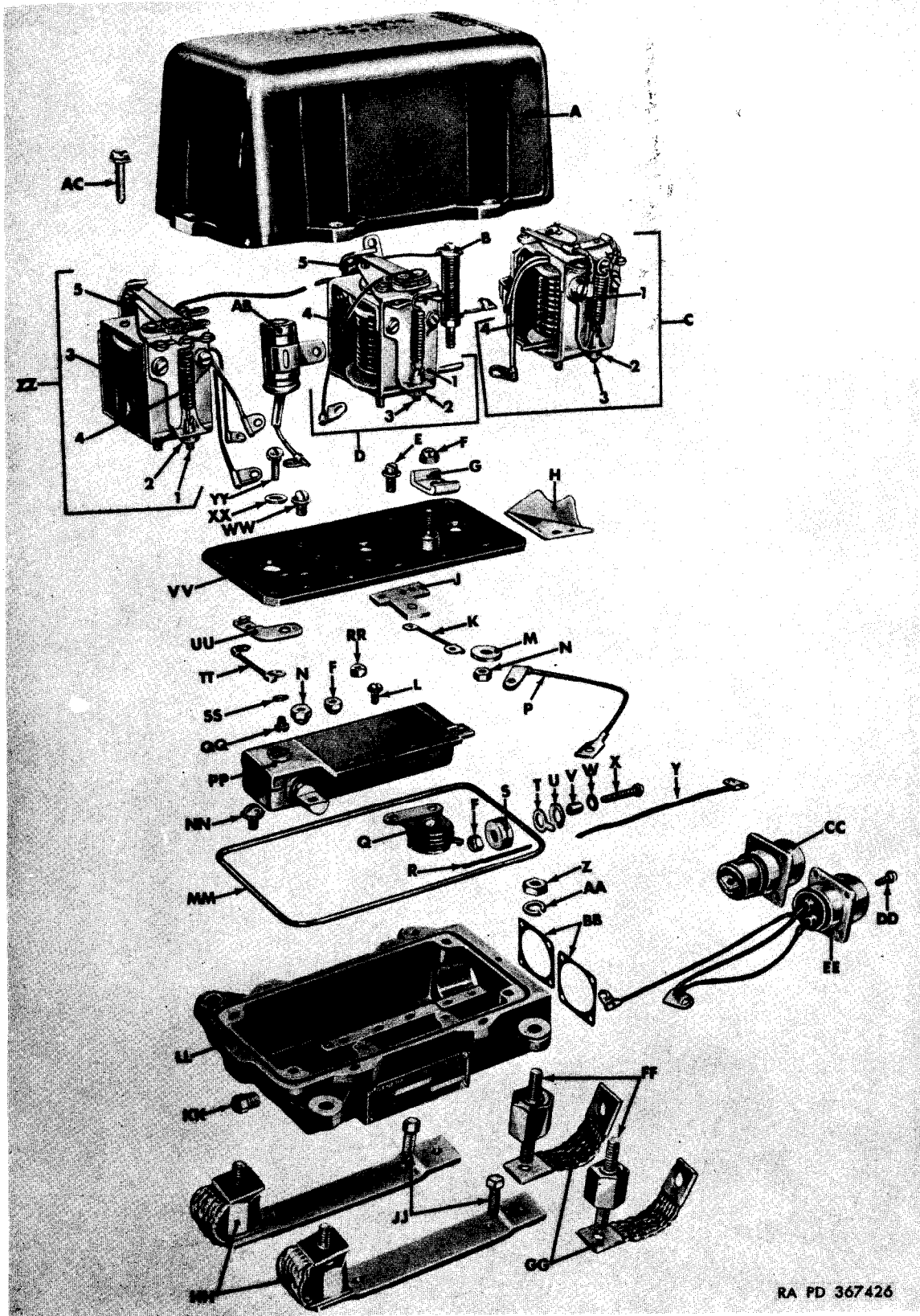
KEY ITEM	PART NO
FF—BRUSH	8333799
GG—WASHER	131044
HH—SCREW	453292
JJ—HEAD	7538757
KK—WASHER	446161
LL—WASHER	453708
MM—SCREW	453307
NN—WASHER	453296
PP—SCREW	453464
QQ—BEARING	7538747

KEY ITEM	PART NO
RR—PACKING	546859
SS—GASKET	7538759
TT—PLATE	7538783
UU—WASHER	453474
VV—SCREW	453282
WW—SPACER	7538785
XX—WIRE	818000
YY—NUT	7413319
ZZ—FRAME	DR-1921772
AB—PLUG	118831

KEY ITEM	PART NO
AC—WINDING	7538761
AD—WINDING	7538777
AE—WINDING	7538763
AF—WINDING	7538762
AG—KEY	124545
AH—WASHER	7538787
AJ—SEAL	7538786
AK—PACKING	501224
AL—COLLAR	7538754

RA PD 367425

Figure 06-2. Generator assy, 24-volt, Delco-Remy (1922304)—exploded view



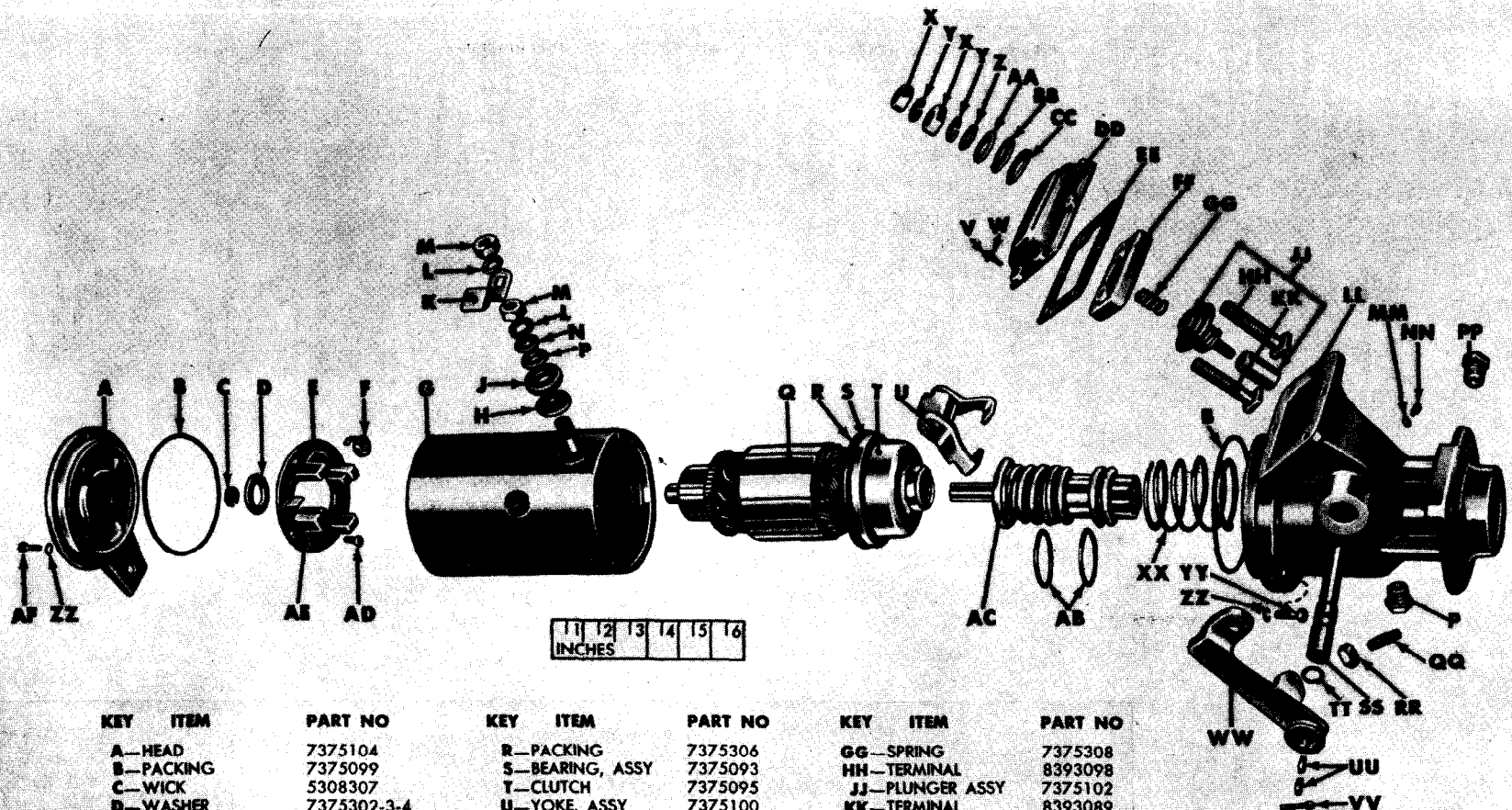
RA PD 367426

Figure 06-3. Generator regulator, 24-volt, Auto-Lite (7524309)—exploded view

Key	Item	Part No.	Key	Item	Part No.
A	-COVER.....	7374825	Z	-NUT.....	426894
B	-CHOKE.....	7374920	AA	-WASHER.....	221177
C	-BREAKER, ASSY.....	7374945	BB	-GASKET.....	7716562
	1-SPRING.....	7702646	CC	-RECEPTACLE, ASSY.....	7374924
	2-NUT.....	7702608	DD	-SCREW.....	131966
	3-SCREW.....	7702665	EE	-RECEPTACLE, ASSY.....	7374925
	4-ARMATURE.....	AL-VBC1029	FF	-CUSHION, ASSY.....	7374922
D	-REGULATOR, ASSY.....	7374943	GG	-LEAD.....	7374965
	1-SPRING.....	7702646	HH	-BRACKET.....	7374823
	2-NUT.....	7702608	JJ	-BOLT, ASSY.....	425581
	3-SCREW.....	7702665	KK	-PLUG.....	444614
	4-ARMATURE.....	AL-VBC1061	LL	-BASE.....	8673471
	5-BRACKET.....	AL-VRA1060A	MM	-PACKING.....	7374964
E	-SCREW, ASSY.....	7375371	NN	-BOLT, ASSY.....	424632
F	-NUT.....	AL-XA699A	PP	-FILTER, ASSY.....	7374923
G	-CONNECTOR.....	7348949	QQ	-SCREW.....	120628
H	-PLATE.....	8393094	RR	-NUT.....	7347560
J	-BRACKET.....	7374822	SS	-WASHER.....	131015
K	-RESISTOR.....	7374961	TT	-RESISTOR.....	8332078
L	-BOLT, ASSY.....	178469	UU	-BRACKET.....	7374921
M	-WASHER.....	7375357	VV	-BASE.....	7374917
N	-NUT.....	503342	WW	-SCREW.....	AL-X3055
P	-LEAD, ASSY.....	8393090	XX	-WASHER.....	120391
Q	-RECTIFIER.....	7374960	YY	-SCREW.....	132908
R	-LEAD.....	8393095	ZZ	-REGULATOR, ASSY.....	7374944
S	-RESISTOR.....	8393091		1-SCREW.....	7702665
T	-TERMINAL.....	8672286		2-NUT.....	7702608
U	-WASHER.....	8672285		3-ARMATURE.....	AL-VBC1080
V	-BUSHING.....	8393092		4-SPRING.....	7702645
W	-WASHER.....	116090		5-BRACKET.....	AL-VRA1060A
X	-SCREW.....	132923	AB	-CAPACITOR, ASSY.....	7374919
Y	-LEAD, ASSY.....	8393093	AC	-BOLT.....	127651

Note: All parts are in group 0602.

Figure 06-3. Generator regulator, 24-volt, Auto-Lite (7524309)—exploded view—legend



KEY ITEM	PART NO
A—HEAD	7375104
B—PACKING	7375099
C—WICK	5308307
D—WASHER	7375302-3-4
E—PLATE, ASSY	7374938
F—SPRING	7375301
G—FRAME, ASSY	7375108
H—WASHER	AL-MZ281
J—BUSHING	AL-MZ293A
K—CONNECTOR	7375300
L—WASHER	221177
M—NUT	218588
N—WASHER	AL-MU37G
P—WASHER	AL-MZ315A
Q—ARMATURE, ASSY	7375091

KEY ITEM	PART NO
R—PACKING	7375306
S—BEARING, ASSY	7375093
T—CLUTCH	7375095
U—YOKE, ASSY	7375100
V—SCREW	132119
W—WASHER	120217
X—NUT	134570
Y—WASHER	432646
Z—WASHER	AL-MZ294
AA—WASHER	8393100
BB—WASHER	8393087
CC—WASHER	8680907
DD—COVER	AL-MZ1267
EE—GASKET	7375307
FF—BLOCK	AL-MZ271A

KEY ITEM	PART NO
GG—SPRING	7375308
HH—TERMINAL	8393098
JJ—PLUNGER ASSY	7375102
KK—TERMINAL	8393089
LL—HOUSING, ASSY	7375105
MM—WASHER	426678
NN—SCREW	7375309
PP—PLUG	283195
QQ—BOLT	222489
RR—NUT	124920
SS—SHAFT	7375305
TT—PACKING	501220
UU—KEY	106749
VV—PIN	137185
WW—LEVER	7348580

KEY ITEM	PART NO
XX—SPRING	7375097
YY—SCREW	271122
ZZ—WASHER	426678
AB—PACKING	546942
AC—SHAFT, ASSY	7375106
AD—SCREW	133482
AE—BRUSH SET	7375094
AF—SCREW	131970

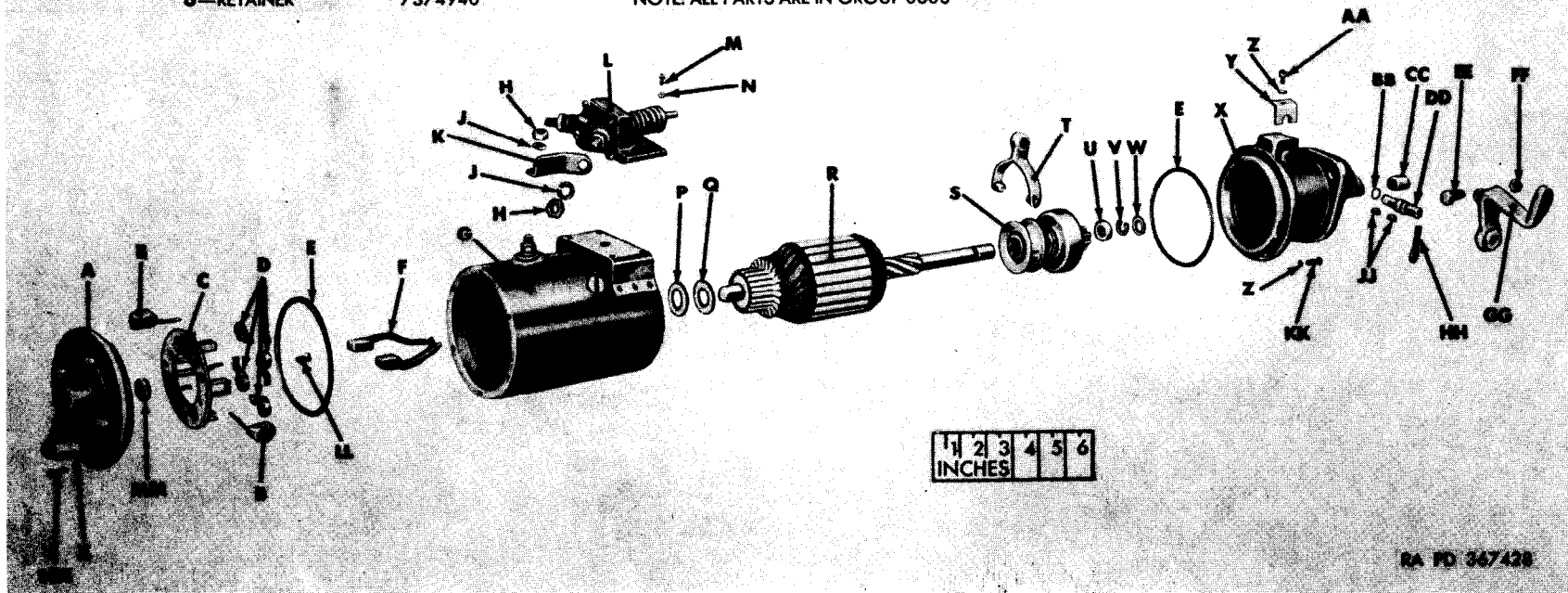
NOTE: ALL PARTS ARE LISTED IN GROUP 0603

RA PD 367427

Figure 06-4. Starter and switch, 24-volt, Auto-Lite (7762616)—exploded view

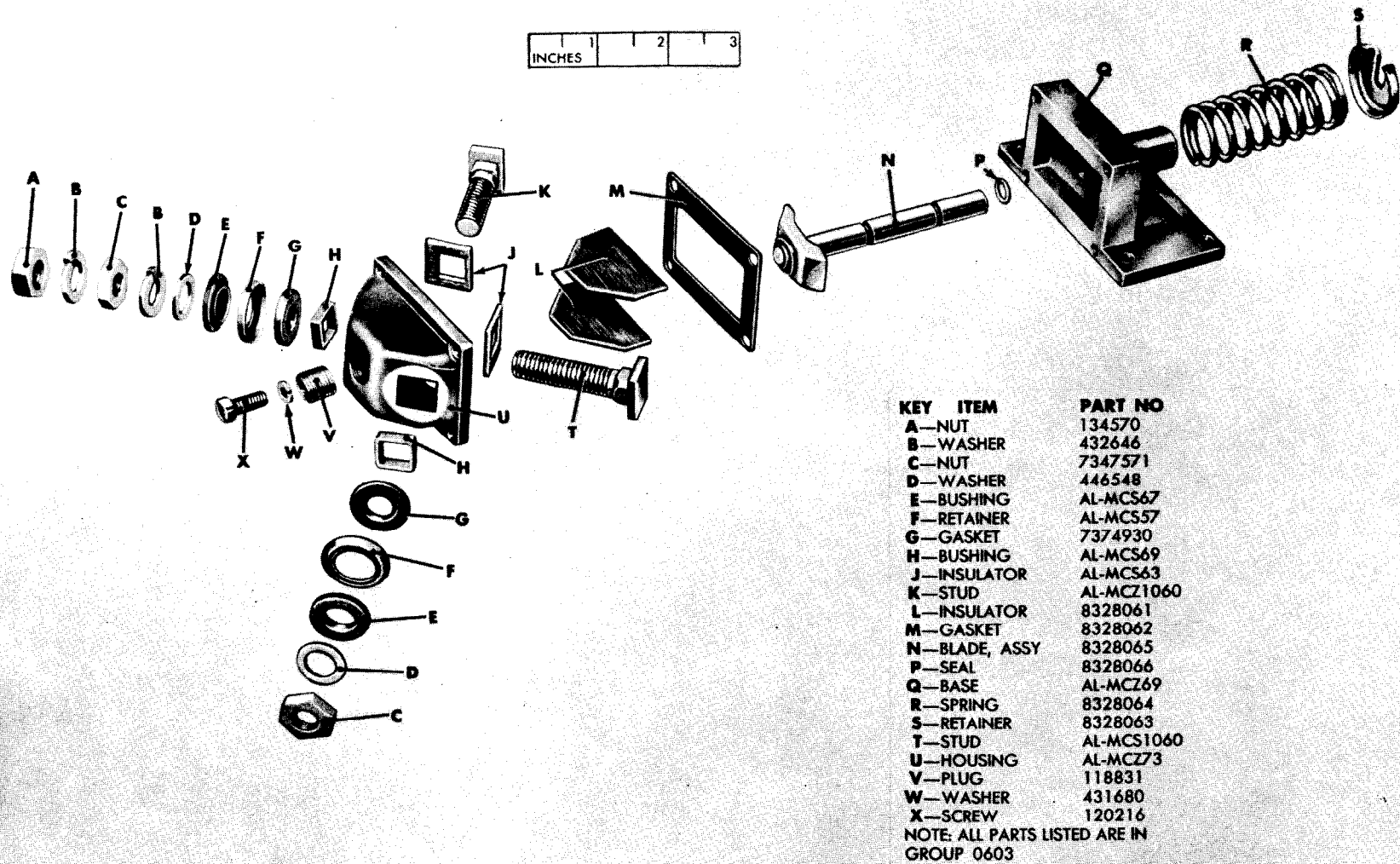
KEY ITEM	PART NO	KEY ITEM	PART NO
A—HEAD, ASSY	8328135	V—RING	7347572
B—BRUSH	AL-MCS1034S	W—WASHER	7369888
C—PLATE, ASSY	7374938	X—HOUSING	8328136
D—SPRING	7375301	Y—RETAINER	8328071
E—PACKING	546875	Z—WASHER	426678
F—BRUSH	AL-MCS12	AA—SCREW	AL-19X888
G—FRAME, ASSY	8328056	BB—PACKING	501220
H—NUT	7347571	CC—BEARING	5346762
J—WASHER	432646	DD—SHAFT	8328067
K—CONNECTOR	8328140	EE—SCREW	AL-19X3168
L—SWITCH, ASSY	8328134	FF—NUT	124920
M—SCREW	AL-19X709	GG—LEVER	AL-MCZ1075
N—WASHER	431680	HH—PIN	137185
P—WASHER	5308275	JJ—KEY	106749
Q—WASHER	8328058	KK—SCREW	271122
R—ARMATURE, ASSY	8328057	LL—SCREW	133482
S—CLUTCH, ASSY	8328139	MM—WICK	5308307
T—YOKE, ASSY	8328069	NN—SCREW	131970
U—RETAINER	7374940		

NOTE: ALL PARTS ARE IN GROUP 0603



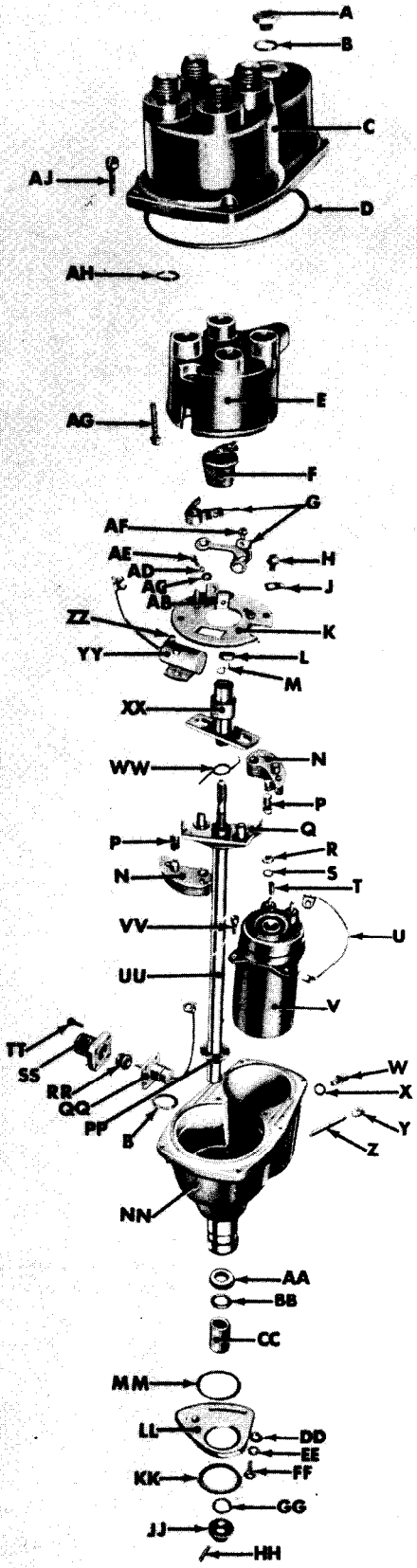
RA PD 347428

Figure 06-5. Starter, 24-volt, Auto-Lite (8328132)—exploded view



RA PD 367429

Figure 06-6. Starter switch, assy (8328134)—exploded view



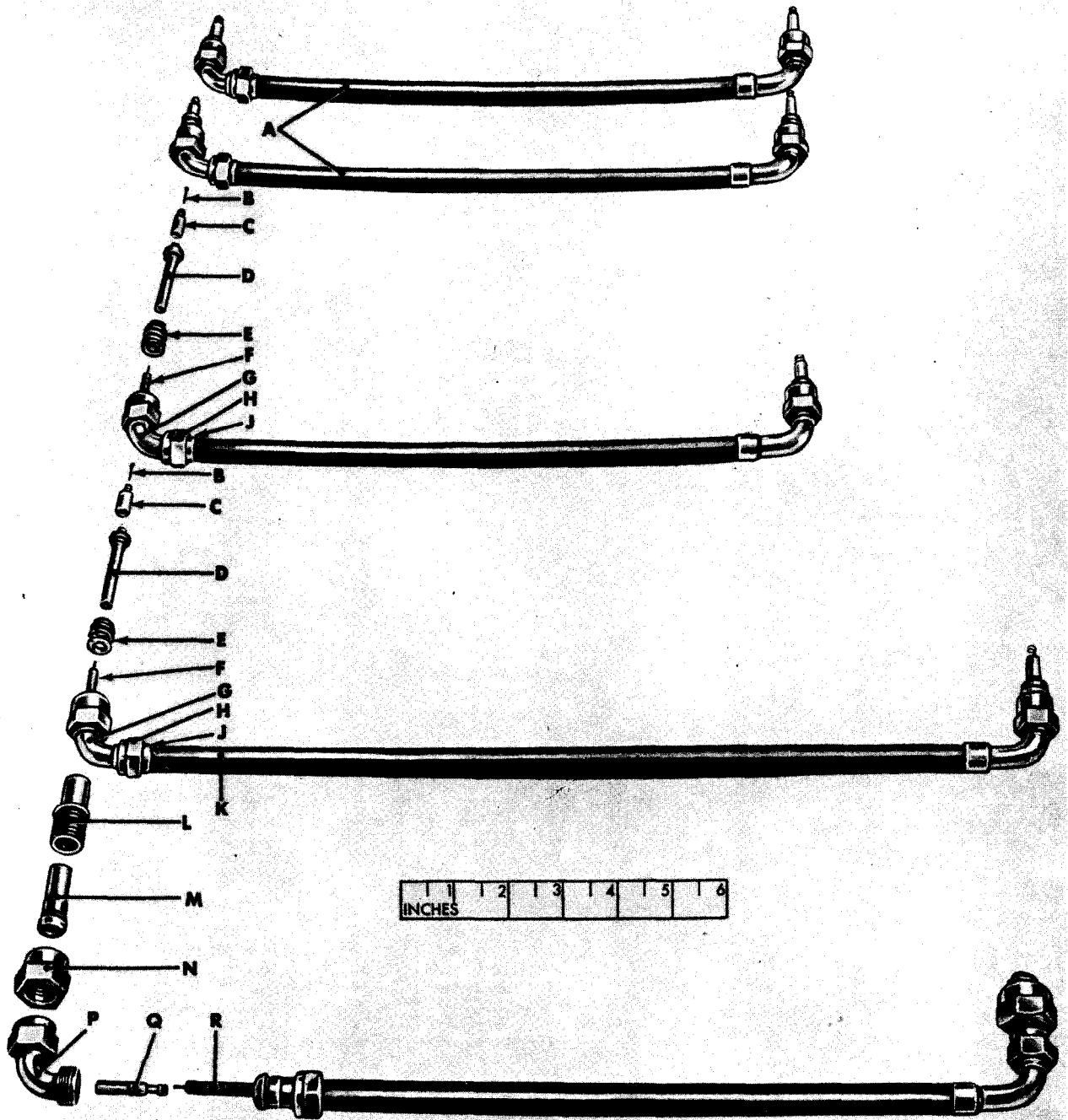
KEY ITEM	PART NO	GROUP
A—PLUG	7374888	0604.1
B—PACKING	501223	0604.1
C—COVER, ASSY	7375373	0604.1
D—PACKING	546880	0604.1
E—CAP	7375377	0604.1
F—ROTOR	7348578	0604.1
G—POINT SET	5346774	0604.1
H—SCREW W/LOCKWASHER	591400	0604.1
J—HOLDER	7374885	0604.1
K—PLATE	7374887	0604.1
L—FELT	27F318100	0604.1
M—RING	5346767	0604.1
N—WEIGHT	7706790	0604.1
P—SPRING	AL-IGB-284	0604.1
Q—SPACER	5346768	0604.1
R—NUT	120614	0604.1
S—WASHER	120217	0604.1
T—SPRING	7374893	0604.1
U—LEAD, ASSY	7374878	0604.1
V—COIL	7374882	0605
W—PLUG	7347547	0604.1
X—WASHER	7346969	0604.1
Y—PLUG	118831	0604.1
Z—WICK	8329787	0604.1
AA—SEAL	7351671	0604.1
BB—WASHER	AL-IAU10	0604.1
CC—BUSHING	542109	0604.1
DD—WASHER	120387	0604.1
EE—WASHER	431543	0604.1
FF—BOLT	214002	0604.1
GG—WASHER	5307283	0604.1
HH—PIN	112011	0604.1
JJ—COLLAR	7351133	0604.1
KK—GASKET	7375110	0604.1
LL—ARM	7375372	0604.1
MM—WASHER	7374895	0604.1
NN—BASE, ASSY	8329785	0604.1
PP—WASHER	7980860	0604.1
QQ—CAPACITOR, ASSY	8329784	0604.1
RR—SEAL	8328076	0604.1
SS—RECEPTACLE	8329786	0604.1
TT—SCREW W/LOCKWASHER	455215	0604.1
UU—SHAFT	7375376	0604.1
VV—SCREW W/LOCKWASHER	455214	0605
WW—SPRING	7412960	0604.1
XX—CAM	7375378	0604.1
YY—CAPACITOR, ASSY	7374881	0604.1
ZZ—SCREW W/LOCKWASHER	455209	0604.1
AB—CLIP	5346775	0604.1
AC—WASHER	131014	0604.1
AD—WASHER	500494	0604.1
AE—SCREW W/LOCKWASHER	583842	0604.1
AF—SCREW	455210	0604.1
AG—SCREW W/LOCKWASHER	455219	0604.1
AH—WASHER	7374894	0604.1
AJ—SCREW W/LOCKWASHER	7375371	0604.1

1 2 3 4 5 6  
INCHES

RA PD 367430

Figure 06-7. Distributor, 24-volt, Auto-Lite (7358569)—exploded view

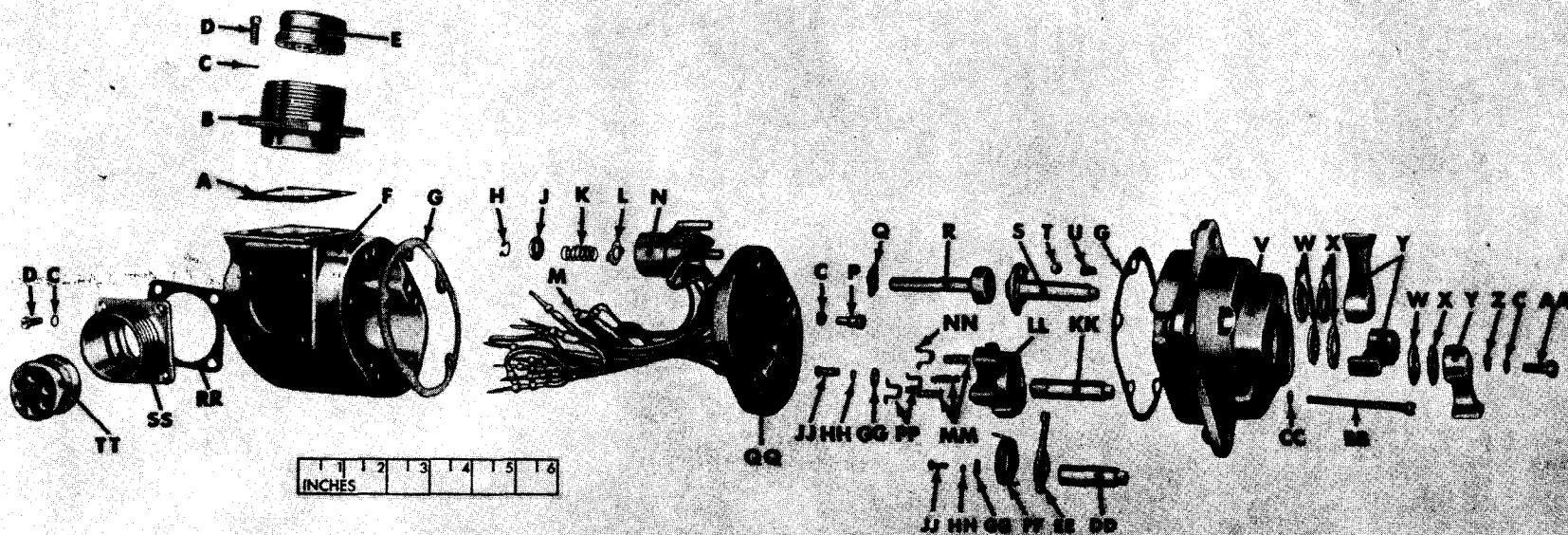




KEY	ITEM	PART NO	GROUP	KEY	ITEM	PART NO	GROUP
A	CABLE, ASSY	7528174	0605	J	FERRULE	7528193	0615
B	NAIL	7526940	0605	K	CABLE, ASSY	7528173	0605
C	CONNECTOR	7526951	0605	L	SHELL	SCI-10-40456-12	0615
D	INSULATOR	7526949	0605	M	INSERT	8344094	0615
E	SPRING	7526961	0605	N	NUT	7527643	0615
F	CABLE	TI-A 36747	0605	P	ELBOW, ASSY	7528205	0615
G	ELBOW	7729618	0605	Q	SOCKET	7716520	0615
H	NUT	7528187	0605	R	CABLE	812364	0615
			0615				

RA PD 367991

Figure 06-8. Ignition cables—exploded view

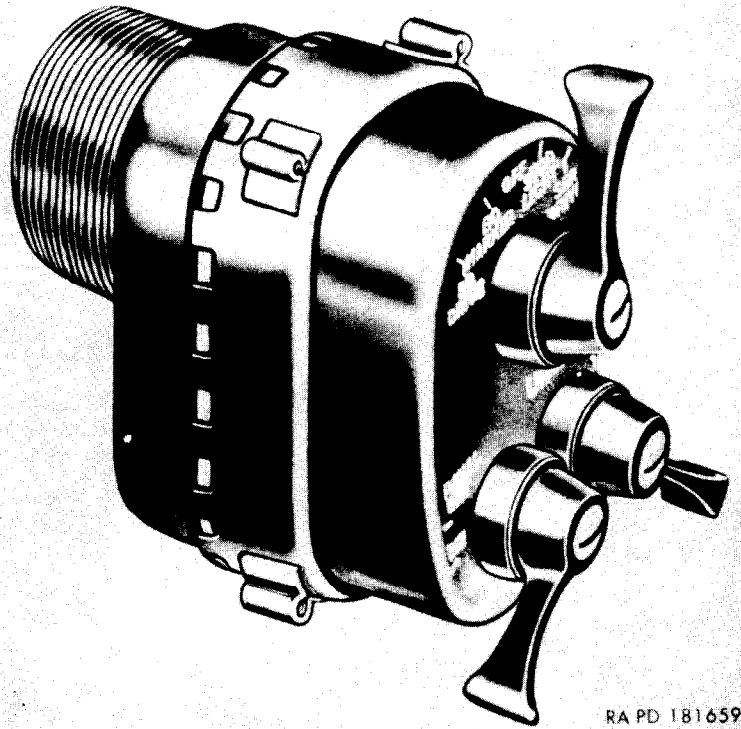
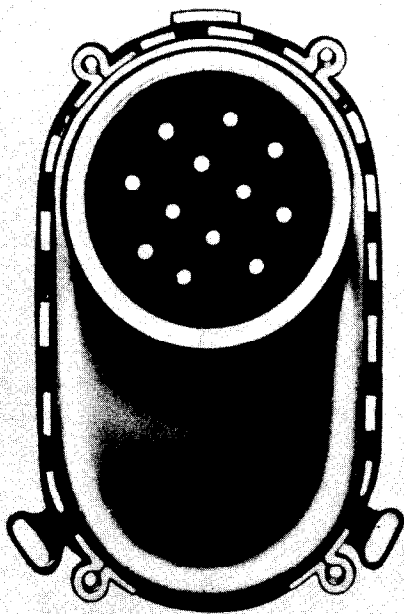


KEY ITEM	PART NO	KEY ITEM	PART NO	KEY ITEM	PART NO	KEY ITEM	PART NO
A-GASKET	7716563	M-RESISTOR	7408120	Y-LEVER	7408304	JJ-SCREW	132700
B-SHELL	7716598	N-SUPPORT, ASSY	7529352	Z-WASHER	446130	KK-SHAFT	7408102
C-WASHER	131095	P-SCREW	7408305	AA-SCREW	131970	LL-ROTOR	SCI-10-34884
D-SCREW	131966	Q-CONTACT	7408130	BB-SCREW	132153	MM-SPRING	7408117
E-INSERT	7716683	R-ACTUATOR	7408115	CC-WASHER	7408359	NN-BRACKET	7529359
F-COVER	7529355	S-SHAFT	7408098	DD-SHAFT	7408095	PP-BRACKET	7414209
G-GASKET	7408134	T-BALL	147485	EE-LOCK	7408093	QQ-SUPPORT, ASSY	7529350
H-RING	7529269	U-SPRING	7408100	FF-SPRING	7408094	RR-GASKET	7388352
J-WASHER	7408358	V-HOUSING	7408324	GG-WASHER	7408338	SS-SHELL	7716597
K-SPRING	7408108	W-WASHER	7408360	HH-WASHER	131044	TT-INSERT	SCI-10-40822-157
L-CONTACT	7408131	X-WASHER	7408323				

NOTE: ALL PARTS ARE IN GROUP 0407

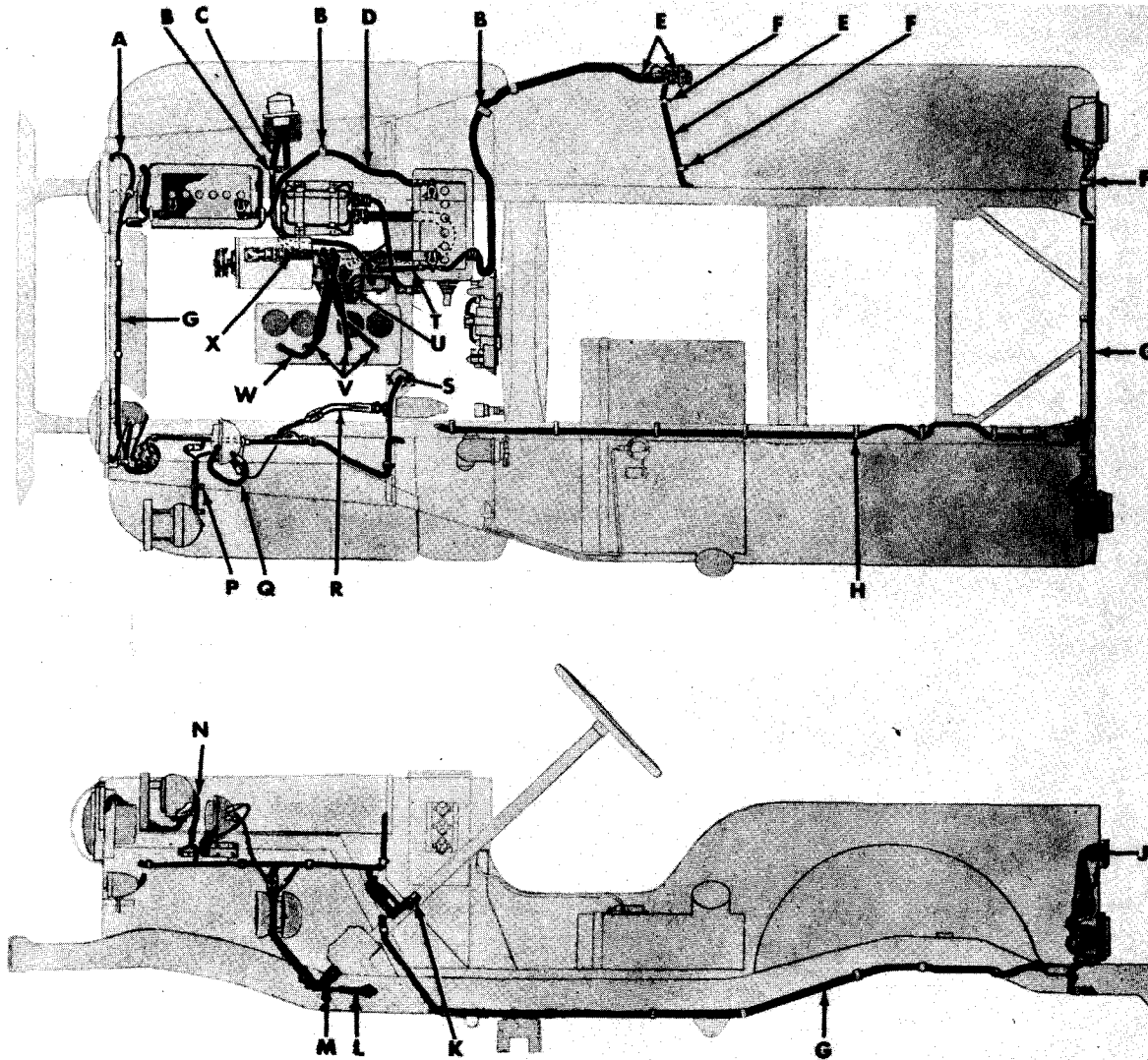
BA TB 36792

Figure 06-9. Light switch, assy (7729684)—exploded view



RA PD 181659

*Figure 06-10. Light switch (7368702)*



KEY	ITEM	PART NO	GROUP
A	CABLE	7418483	0612
B	CLAMP	120527	0613.1
C	RECEPTACLE, ASSY	7731421	0613.1
D	CABLE	7418481	0612
E	RECEPTACLE, ASSY	7355819	0613.1
F	CLIP	7343086	0613.1
G	HARNESS, ASSY	WO-804778	0613.1
H	CLIP	145325	0613.1
J	RECEPTACLE, ASSY	8673318	0617
K	SWITCH, ASSY	7728788	0608
L	SWITCH, ASSY	7760414	0608
M	SWITCH, ASSY	7375088	0611
N	CABLE, ASSY	AL-CB17891	0607.1
P	CLIP	7047998	0613.1
Q	CABLE, ASSY	8677059	0613.1
R	HARNESS	WO-804784	0613.1
S	UNIT, ASSY	7728856	0610
T	CABLE	7418482	0612
U	UNIT, ASSY	7389566	0610
V	CABLE, ASSY	7528174	0605
W	CABLE, ASSY	7528173	0605
X	HARNESS	7539500	0613.1

RA PD 347993

Figure 06-11. Wiring system

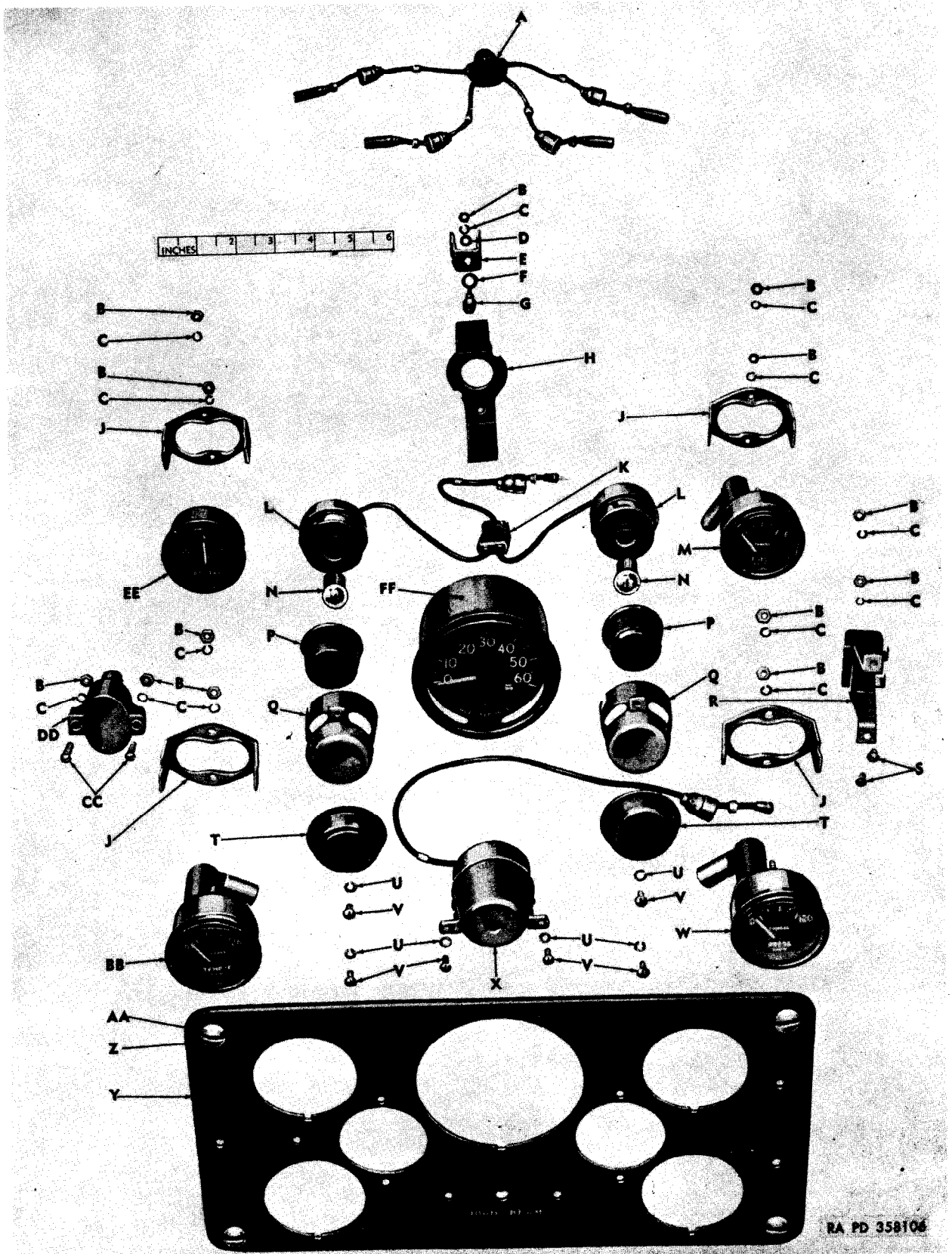


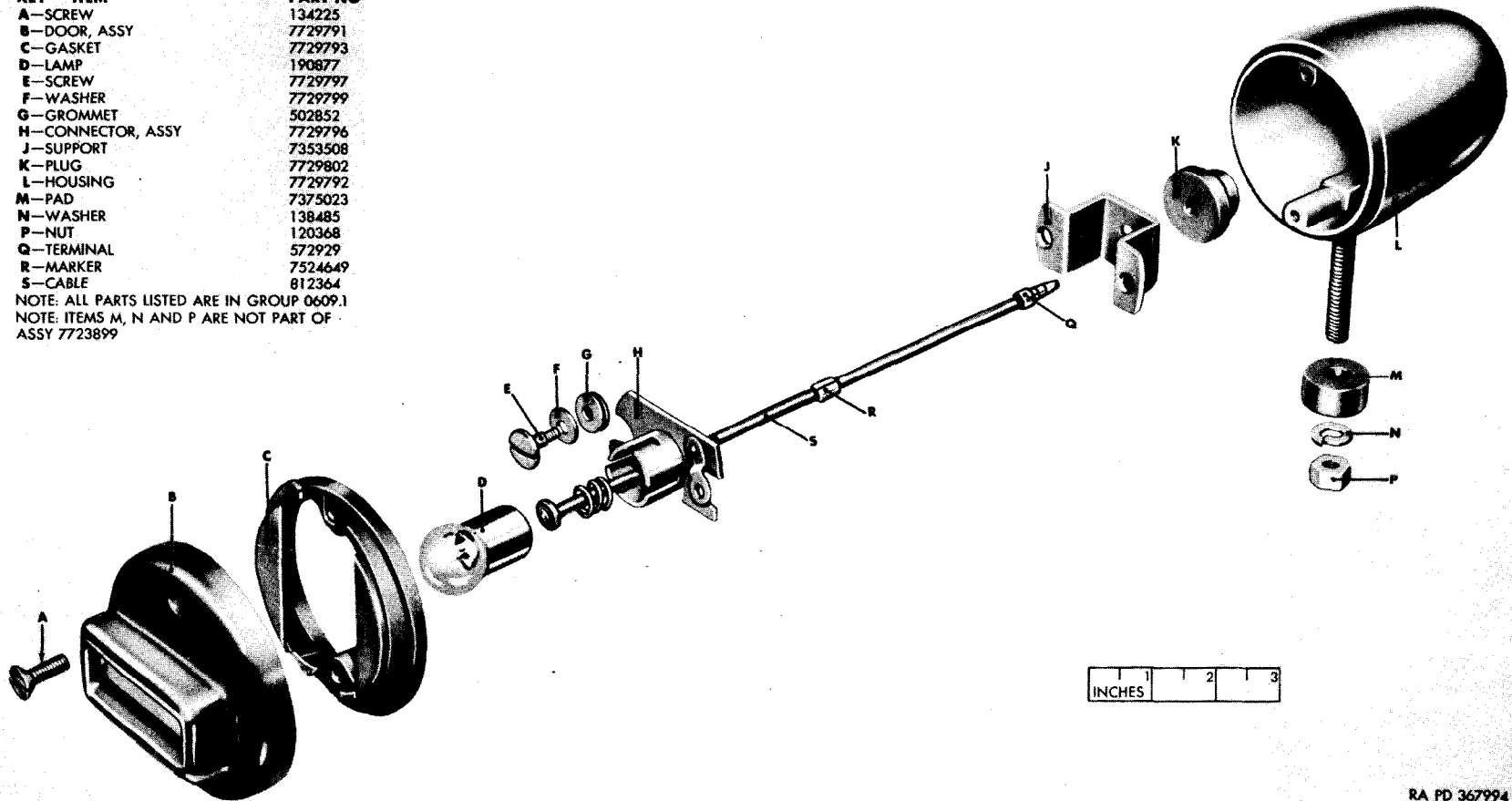
Figure 06-12. Instrument cluster—exploded view

<i>Key</i>	<i>Item</i>	<i>Part No.</i>	<i>Group</i>	<i>Key</i>	<i>Item</i>	<i>Part No.</i>	<i>Group</i>
A	-HARNES, ASSY.....	7526600	0607	R	-BRACKET.....	7529476	0607
B	-NUT.....	426915	0607	S	-SCREW.....	221115	0607
C	-WASHER.....	131182	0607	T	-SHIELD.....	7526596	0607
D	-WASHER.....	446152	0607	U	-WASHER.....	121841	0607
E	-CLIP.....	7526595	0607	V	-SCREW.....	121749	0607
F	-WASHER.....	502203	0607	W	-GAGE, ASSY.....	7728853	0607
G	-STUD.....	7526594	0607	X	-LIGHT, ASSY.....	7760418	0607
H	-BRACKET.....	7372727	0607	Y	-PLATE, ASSY.....	AC-1582077	0607
J	-BRACKET.....	7529480	0607	Z	-STUD.....	7526590	0607
K	-SLEEVE, ASSY.....	573126	0607	AA	-WASHER.....	7526591	0607
L	-COVER.....	7384392	0607	BB	-GAGE, ASSY.....	7389567	0607
M	-GAGE, ASSY.....	7728852	0607	CC	-SCREW.....	421894	0607
N	-LAMP.....	190877	0607	DD	-BREAKER, ASSY.....	7762620	0607
P	-LENS.....	7358621	0607	EE	-AMMETER, ASSY.....	7728854	0607
Q	-BODY.....	AC-5939764	0607	FF	-SPEEDOMETER, ASSY	7760396	2208.1

*Figure 06-12. Instrument cluster—exploded view—legend*

KEY ITEM	PART NO
A—SCREW	134225
B—DOOR, ASSY	7729791
C—GASKET	7729793
D—LAMP	190877
E—SCREW	7729797
F—WASHER	7729799
G—GROMMET	502852
H—CONNECTOR, ASSY	7729796
J—SUPPORT	7353508
K—PLUG	7729802
L—HOUSING	7729792
M—PAD	7375023
N—WASHER	138485
P—NUT	120368
Q—TERMINAL	572929
R—MARKER	7524649
S—CABLE	812364

NOTE: ALL PARTS LISTED ARE IN GROUP 0609.1  
NOTE: ITEMS M, N AND P ARE NOT PART OF ASSY 7723899



RA PD 367994

Figure 06-13. Blackout marker light, assy (7723899)—exploded view

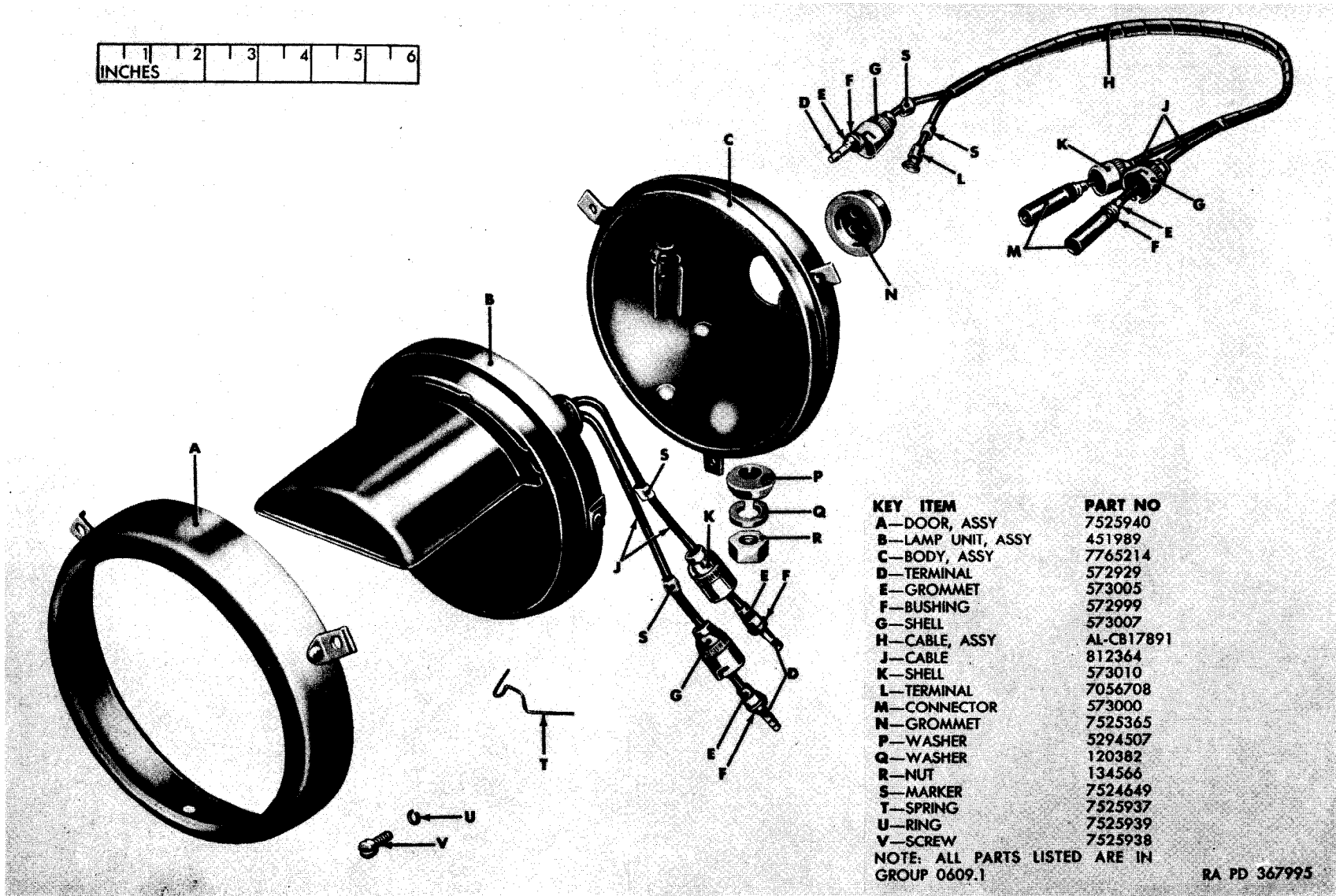


Figure 06-14. Blackout headlight (7760505)—exploded view



KEY ITEM	PART NO	KEY ITEM	PART NO
A—DOOR	7525936	N—CABLE, ASSY LH	AL-CB18499
B—GASKET	7375024	P—TERMINAL	7056708
C—RING	7538582	Q—SHELL	573010
D—LAMP UNIT	7418343	R—SHELL	573007
E—MOUNTING	AL-CB17811	S—CONNECTOR	573000
F—SCREW	7538146	T—RIVET	AL-CB17814
G—HOUSING	AL-CB18510	U—SCREW AND L/W	454783
H—GROMMET	7525365	V—SPRING	AL-CB6134
J—CABLE, ASSY RH	AL-CB18500	W—GROMMET	573005
K—TERMINAL	572929	X—BUSHING	572999
L—MARKER	7524649	Y—SPRING	7712833
M—CABLE	812364		

NOTE: ITEMS J, N AND U ARE NOT PART OF ASSY 7760503  
 NOTE: ALL PARTS LISTED ARE IN GROUP 0609.1

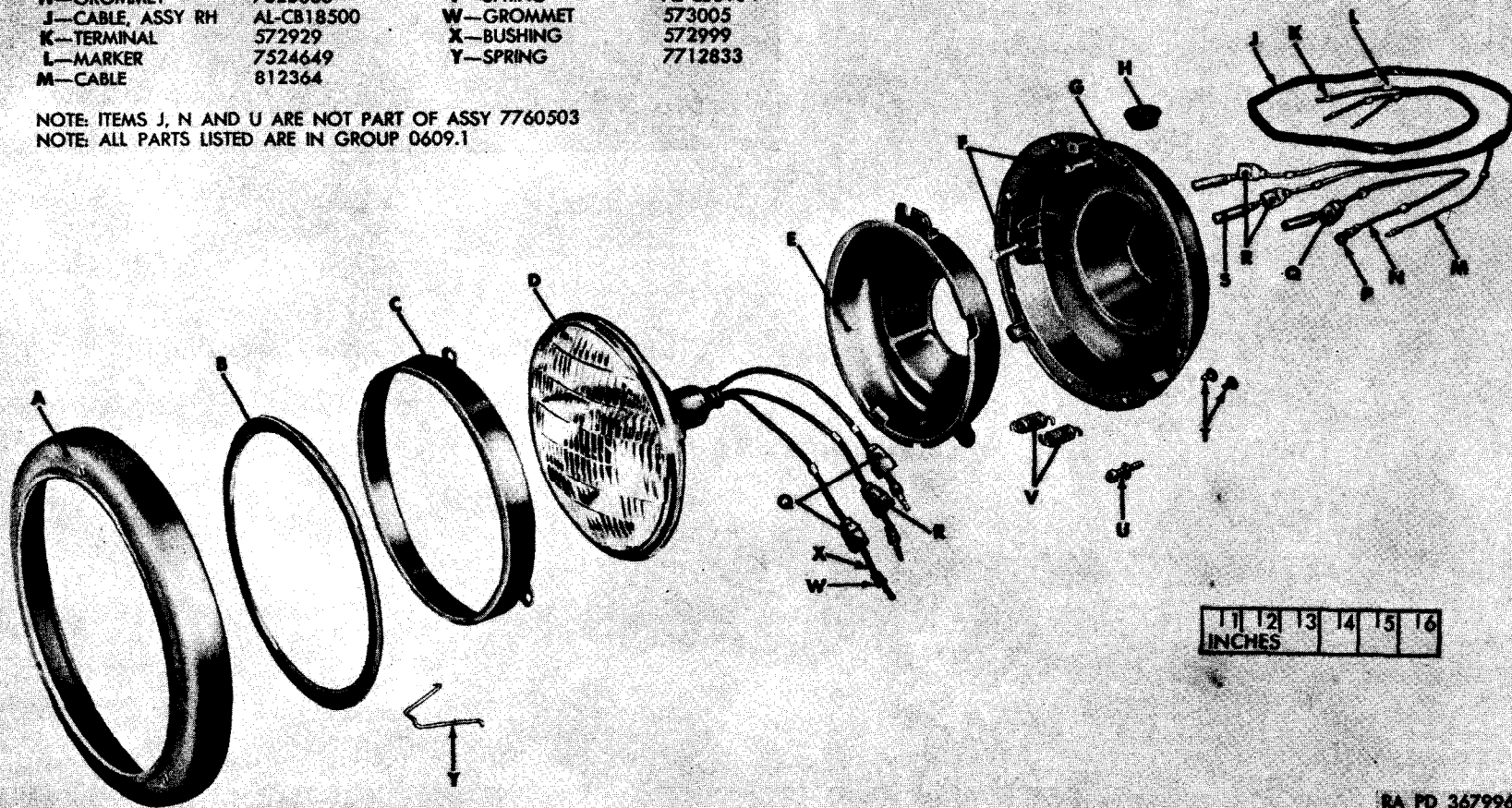


Figure 06-15. Headlight service, assy (7760503)—exploded view

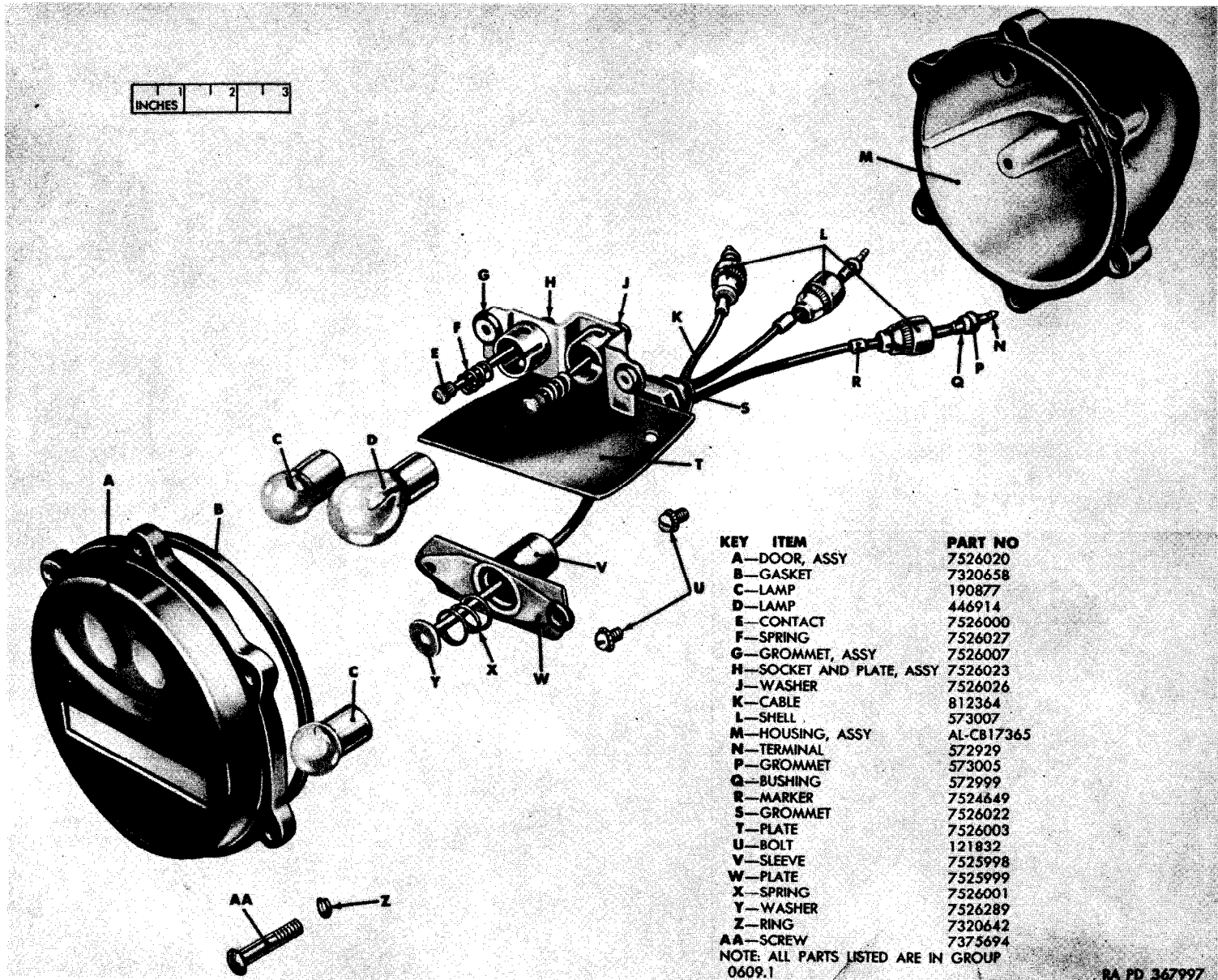
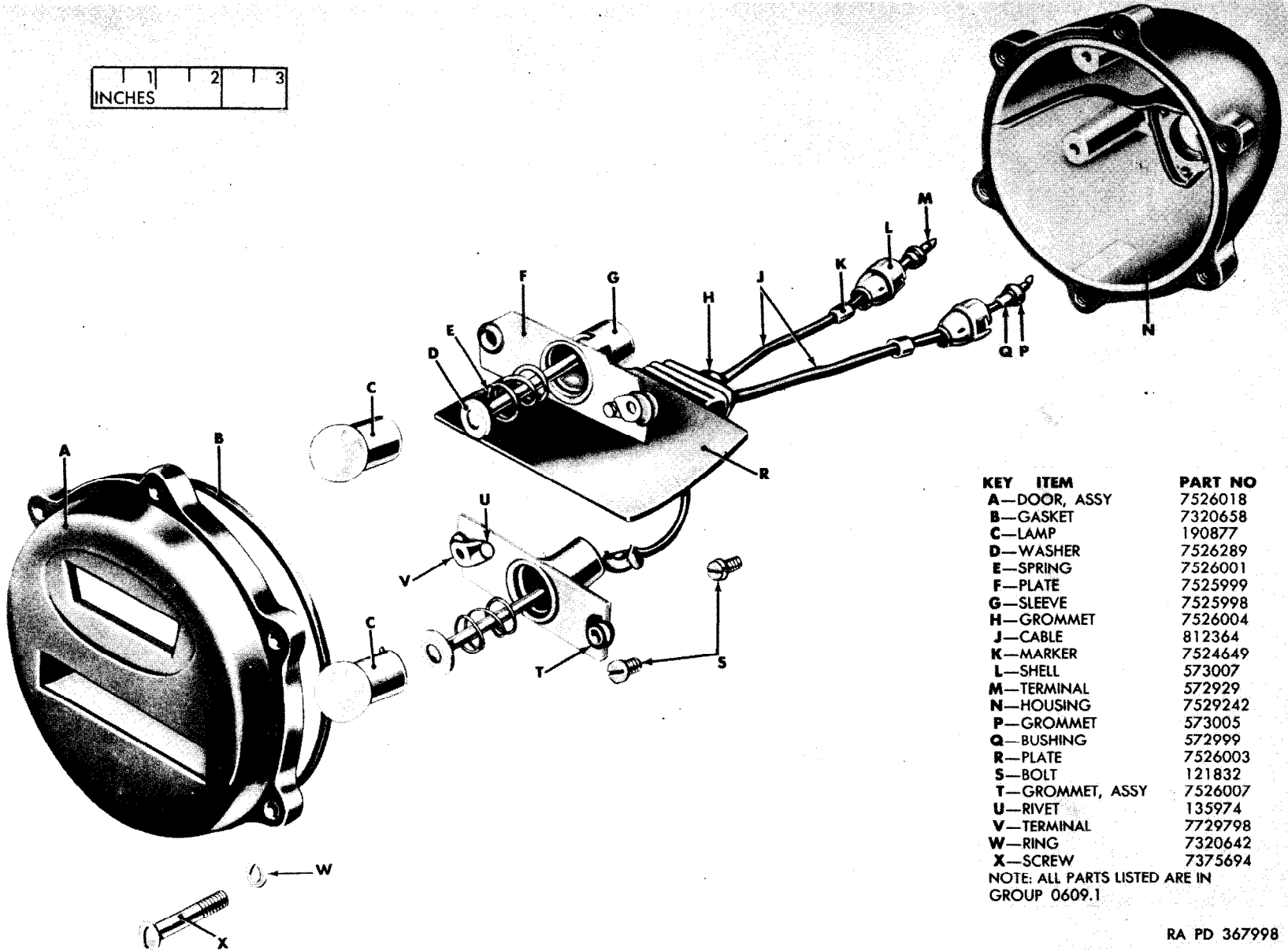


Figure 06-16. Blackout service, tail and stoplight, left, 24-volt (7760507)—exploded view



116



KEY ITEM	PART NO
A—DOOR, ASSY	7526018
B—GASKET	7320658
C—LAMP	190877
D—WASHER	7526289
E—SPRING	7526001
F—PLATE	7525999
G—SLEEVE	7525998
H—GROMMET	7526004
J—CABLE	812364
K—MARKER	7524649
L—SHELL	573007
M—TERMINAL	572929
N—HOUSING	7529242
P—GROMMET	573005
Q—BUSHING	572999
R—PLATE	7526003
S—BOLT	121832
T—GROMMET, ASSY	7526007
U—RIVET	135974
V—TERMINAL	7729798
W—RING	7320642
X—SCREW	7375694

NOTE: ALL PARTS LISTED ARE IN GROUP 0609.1

RA PD 367998

Figure 06-17. Blackout tail and stop light, right 24-volt (7760506)—exploded view

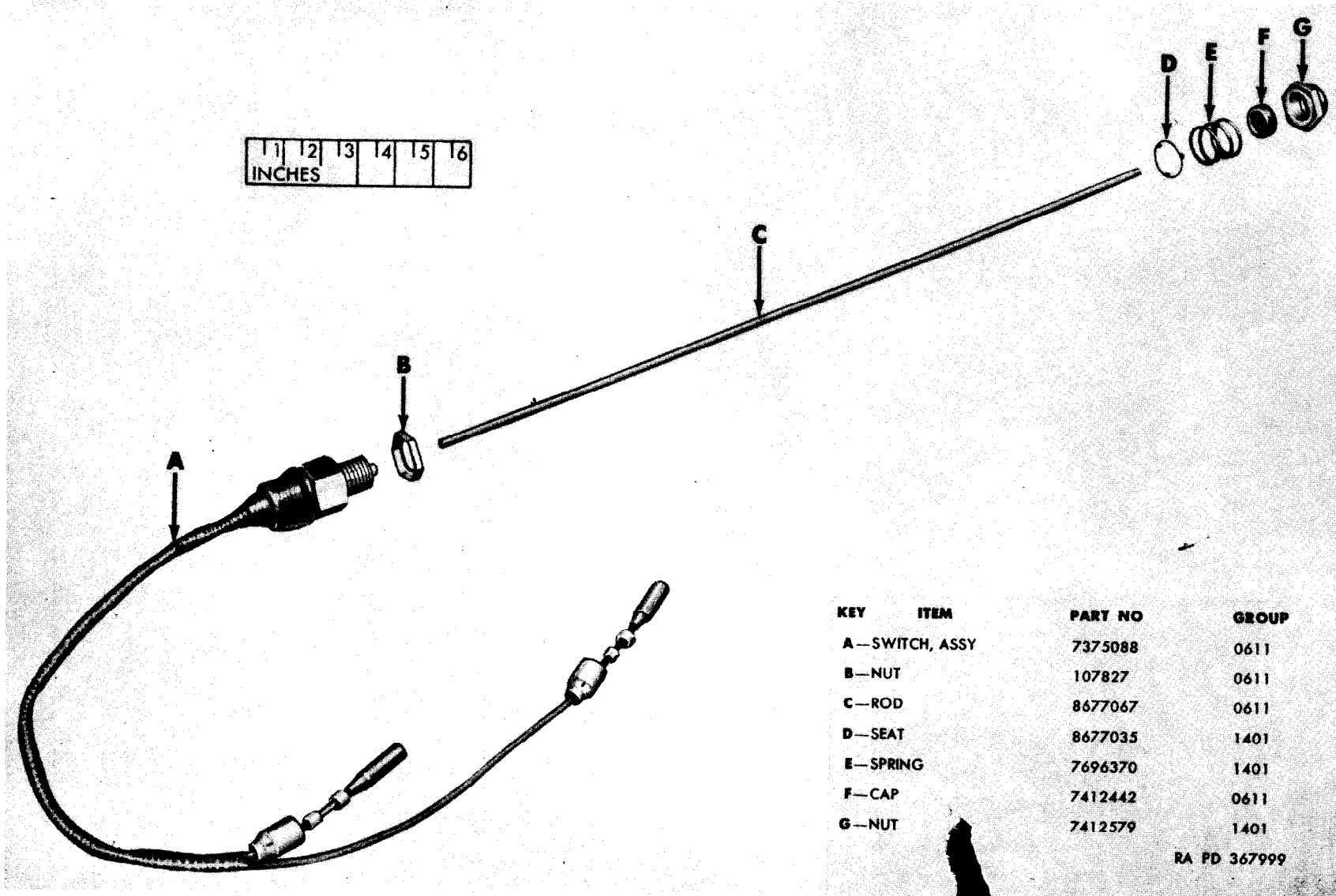


Figure 06-18. Horn button and wiring—exploded view

0601.1

(1) ILLUSTRATION NO.	(2) REFERENCE SYMBOLS	(3) ORDNANCE STOCK NO.	(4) FEDERAL STOCK NO.	(5) MFR'S PART NO.	(6) ORDNANCE PART NO.	(7) DESCRIPTION	(8) QUANTITY INCORPORATED IN UNIT	(9) UNIT OF ISSUE
<b>GROUP 06—ELECTRICAL SYSTEM</b>								
<b>0601.1—GENERATOR (24-VOLT) (AUTO-LITE)</b>								
		G741-8327721		AL-GHA15	8327721	ARM, electrical contact brush	2	ea
06-1		G741-7374853		WO-118821				
		G741-7374853		AL-GHA2006FT	7374853	ARMATURE, GENERATOR, assy	1	ea
		WO-118812						
06-1	H12	H012-0712125			712125	BEARING, ball, MIL-STD-CODE 111-01703-8438 (Rad, SR, med, non-loading groove, 1 seal, corrosion preventative compound, 0.6693 bore, 1.8504 OD, 0.5512 width) (drive end)	1	ea
06-1	H12	H012-0712128			712128	BEARING, ball, sealed, MIL-STD-CODE 117-01715-5070 (Rad, SR, lt, 1 seal, 1 shield, 0.6693 bore, 1.5748 OD, 0.5630 overall width) (commutator end)	1	ea
		G740-7375388	2920-737-5388	WO-801247	7375388	BRACE, adj, belt tension	1	ea
	H1	H101-0423571	042-3571		423571	BOLT, INTEGRAL LOCK WASHER, ext-tooth type, hex-hd, S, cd or zn-fin, $\frac{3}{8}$ -16NC-2 x 1	1	ea
		G503-7371188	5305-360-8319	WO-A1468	7371188	BOLT, shoulder, hex-hd, S, $\frac{3}{8}$ -24 x $\frac{7}{8}$	1	ea
	H1	H001-4167601	012-0369		120369	NUT, PLAIN, HEXAGON, reg, s-fin, S, cd or zn-pltd, $\frac{3}{8}$ -24NF-2	1	ea
	H1	H001-7043741	5310-012-0394		120394	WASHER, FLAT, lt series, S, $\frac{3}{8}$ in, cd or zn-pltd, $\frac{13}{32}$ ID, $\frac{13}{16}$ OD, 0.065 thk	1	ea
	H1	H001-7025741	5310-012-0382		120382	WASHER, LOCK, med, reg, S, cd or zn-pltd, $\frac{3}{8}$ in	1	ea
06-1		G741-7374749	2920-737-4749	AL-GHA1052	7374749	BRACKET, END, commutator end (electrical rotating equipment)	1	ea
				WO-118806				
06-1		G741-7374748	2920-737-4748	AL-GHA53	7374748	BRACKET, END, drive end (electrical rotating equipment)	1	ea
				WO-118835				
06-1		G741-7374852	5975-737-4852	AL-GHA2012S	7374852	BRUSH, ELECTRICAL CONTACT	1	ea
				WO-118807		Composed of:		
				AL-GHA1012		1 BRUSH		
				AL-GHA1012		BRUSH, generator	2	ea
06-1		G742-7716690		AL-XA777	7716690	ELBOW, 90 deg, receptacle mtg	1	ea
				WO-118891				
06-1	H1	H101-0131966	013-1966		131966	SCREW, mach, fil-hd, S, cd or zn-pltd, No. 8-32NC-2	4	ea
06-1		G741-7374851		AL-GHA2051S	7374851	FRAME, w/field COILS, assy	1	ea
				WO-118803				
06-1		G244-7716562	771-6562	AL-XA767	7716562	GASKET, flat, fibre, $1\frac{1}{8}$ sq, $1\frac{3}{8}$ ID, 4 No. 10 screw holes (receptacle mtg)	2	ea
				SCI-10-40450-22S				
				WO-118769				

118

06-1		G741-7374862	2920-737-4862	AL-GHA46 WO-118833	7374862	GEAR, drive, oil slinger.....	1	ea
		G741-7374750	6115-737-4750	AL-GHA4802UT WO-118958	7374750	GENERATOR, DIRECT CURRENT, w/o PULLEY, assy (optional w/GENERATOR, G741-7355736— subgroup 0601.3)	1	ea
01-2; 06-1				AL-GHA4802BUT WO-801238	8673350	GENERATOR, SUBMERSIBLE, w/PULLEY, assy (optional with GENERATOR, DR-1922304—sub- group 0601.3)	1	ea
				AL-GHA2052		HEAD, commutator end, w/BRUSH and BEARING, assy	1	ea
06-1	H1	H001-5127361			132119	SCREW, MACH, fil-hd, S, cd or zn-pltd, No. 10- 32NF-2A x $\frac{5}{8}$	4	ea
06-1	H1	H101-0132138	013-2138		132138	SCREW, MACH, fil-hd, S, cd or zn-pltd, No. 10- 32NF-2A x $1\frac{1}{4}$	2	ea
				AL-GHA1053		HEAD, w/BEARING, drive end, assy.....	1	ea
06-1	H1	H101-0132128	5305-013-2128		132128	SCREW, MACH, fil-hd, S, cd or zn-pltd, No. 10- 32NF-2A x $\frac{7}{8}$	6	ea
		G740-7375175	5330-737-5175	WO-649817	7375175	INSULATOR, ru, $\frac{33}{64}$ ID, $1\frac{1}{16}$ OD, $1\frac{5}{32}$ thk (mounting support)	2	ea
		G740-7375174	5305-737-5174	WO-649818	7375174	BOLT, SHOULDER, hex-hd, S, $\frac{7}{16}$ -20NF-3 x 2	2	ea
	H1	H001-4167641	012-0370		120370	NUT, PLAIN, HEXAGON, lt, s-fin, S, cd or zn-pltd, $\frac{7}{16}$ -20NF-2 (supersedes NUT, H101-0218585)	2	ea
	H1	H101-0218585	021-8585		218585	NUT, PLAIN, HEXAGON, s-fin, S, cd or zn-pltd, $\frac{7}{16}$ -20NF-2 (superseded by NUT, 120370)	2	ea
	H1	H001-7043771	5310-012-0395		120395	WASHER, FLAT, lt series, S, cd or zn-pltd, $\frac{7}{16}$ in, $\frac{15}{32}$ ID, $\frac{59}{64}$ OD, 0.065 thk	2	ea
	H1	H001-7043801	5310-012-0396		120396	WASHER, FLAT, S, cd or zn-pltd, $\frac{17}{32}$ ID, $1\frac{1}{16}$ OD, 0.095 thk	2	ea
	H1	H001-7023771	012-1621		121621	WASHER, LOCK, lt, S, cd or zn-pltd, $\frac{7}{16}$ in (super- seded by WASHER, 136857)	2	ea
	H1	H001-7017711	5310-013-6857		136857	WASHER, LOCK, S, cd or zn-pltd, Style No. 1, 0.740 in OD, $\frac{7}{16}$ in bolt size (supersedes WASHER, 121621)	2	ea
06-1	H2	H002-0501234			501234	PACKING, "O" ring, class B material (high flexibility), $1\frac{3}{8}$ in ID, $1\frac{9}{8}$ OD, $\frac{1}{8}$ in thk (drive end bearing inner retainer)	1	ea
06-1		G740-7412437	5330-741-2437	AL-XA744F WO-119116	7412437	PACKING, "O" ring, $5\frac{1}{4}$ OD (commutator end head (1); drive end head (1)) (supersedes PACKING, G740-7375330)	2	ea
		G740-7375330		AL-XA744H WO-118822	7375330	PACKING, "O" ring, $5\frac{1}{16}$ OD (commutator end head (1); drive end head (1)) (supersedes by PACKING, G740-7412437)	2	ea
06-1	H2	H002-7375329			7375329	PACKING, PREFORMED, "O" ring, $\frac{1}{2}$ ID, $\frac{5}{8}$ OD, 0.062 thk (drive end head oil plug)	1	ea
06-1	H2	H002-7375328			7375328	PACKING, PREFORMED, "O" ring, 1.875 ID, 2.0 OD, 0.062 thk (drive end bearing outer retainer)	1	ea
06-1		G741-7374861		AL-GHA42 WO-118832	7374861	PIN, oil slinger.....	1	ea

(1) ILLUSTRATION NO.	(2) REFERENCE SYMBOLS	(3) ORDNANCE STOCK NO.	(4) FEDERAL STOCK NO.	(5) MFR'S PART NO.	(6) ORDNANCE PART NO.	(7) DESCRIPTION	(8) QUANTITY INCORPORATED IN UNIT	(9) UNIT OF ISSUE
<b>GROUP 06—ELECTRICAL SYSTEM—Continued</b>								
<b>0601.1—GENERATOR (24-VOLT) (AUTO-LITE)</b>								
<b>—Continued</b>								
06-1		G741-7374886		AL-GHA1004S	7374886	PLATE, brush, w/BRUSHES, SPRINGS and brush HOLDER, assy	1	ea
06-1	H1	H001-5127341	013-2110		132110	SCREW, MACH, fil-hd, S, cd or zn-pltd, No. 10-32NF-2A x $\frac{7}{16}$	4	ea
06-1	H6	H106-0445007			445007	PLUG, filler and drain, sq-hd, S, $\frac{1}{2}$ -20NF-2 (oil, drive end head) (supersedes PLUG, G741-7374854)	1	ea
		G741-7374854	4730-737-4854	AL-GHA35 WO-118826	7374854	PLUG, MACHINE THREAD, drive end head (superseded by PLUG, H106-0445007)	1	ea
06-1	H6	H006-0500718	050-0718		500718	PLUG, PIPE, automotive, hex-socket, hdls, S, tnd-fin, $\frac{1}{4}$ -27NPT (drive end head)	1	ea
06-1		G740-7375071	2805-737-5071	AL-SP992 WO-118824	7375071	PULLEY, drive	1	ea
06-1	H1	H001-0518012	012-4545		124545	KEY, WOODRUFF, S, alloy, plain-fin, size No. 5, $\frac{1}{8}$ x $\frac{5}{8}$ , No. 405 or 5	1	ea
06-1	H1	H101-0125043	012-5043		125043	NUT, CASTELLATED, HEXAGON, s-fin, S, lt, cd or zn-pltd, $\frac{1}{2}$ -20NF-2	1	ea
06-1	H1	H101-0121224	012-1224		121224	PIN, COTTER, split, S, cd-pltd, $\frac{3}{32}$ x 1	1	ea
06-1	H1	H001-7025801	5310-012-0384		120384	WASHER, LOCK, med, S, cd or zn-pltd, $\frac{1}{2}$ in	1	ea
06-1		G260-7388319		WO-118909 AL-XA776 SCI-10-42222 -02-S	7388319	RECEPTACLE, wiring harness, assy	1	ea
06-1	H1	H001-5125851	5305-013-1970		131970	SCREW, MACH, fil-hd, S, cd or zn-pltd, No. 8-32NC-2A x $\frac{1}{2}$	4	ea
06-1		G741-7374858		AL-GHA39 WO-118829	7374858	RETAINER, drive end head bearing, inner	1	ea
06-1		G741-7374855		AL-GHA36 WO-118827	7374855	RETAINER, drive end head bearing, outer	1	ea
06-1	H1	H001-5125821	5305-013-1958		131958	SCREW, MACH, fil-hd, S, cd or zn-pltd, No. 8-32NC-2A x $\frac{5}{16}$	2	ea
06-1	H1	H001-5125851	5305-013-1970		131970	SCREW, MACH, fil-hd, S, cd or zn-pltd, No. 8-32NC-2A x $\frac{1}{2}$	4	ea
06-1		G741-7374860		AL-GHA41 WO-118831	7374860	RETAINER, drive end head felt washer	1	ea
06-1		G741-8332226		AL-X3099 WO-118939	8332226	SCREW, hex-hd, br, Sims type, No. 8-32NC x $\frac{1}{4}$	2	ea

06-1		G741-7374863		AL-GHA47 WO-118834	7374863	SEAL, oil, drive end head bearing.....	1	ea
		G758-8332522		AL-GHA65 WO-120158	8332522	SLEEVE, insulating material, elec (field lead).....	1	ea
06-1		G741-7374856		AL-GHA37 WO-118823	7374856	SPACER, armature shaft, drive end.....	1	ea
				AL-GAR221A WO-118820	8393097	SPRING, BRUSH, arm.....	2	ea
	H1	G740-7375389		WO-649816	7375389	SUPPORT, mounting.....	1	ea
		H101-0227785	022-7785		227785	BOLT, MACHINE, hex-hd, s-fin, S, cd or zn-pltd, $\frac{3}{8}$ -16NC-2 x $\frac{7}{8}$ (supersedes BOLT, H101-0227477)	2	ea
	H1	H101-0227477	022-7477		227477	BOLT, MACHINE, hex-hd, s-fin, S, $\frac{3}{8}$ -16NC-2 x $\frac{7}{8}$ (superseded by BOLT, H101-0227785)	2	ea
	H1	H001-7025741	012-0382		120382	WASHER, LOCK, med, S, reg, cd or zn-pltd, $\frac{3}{8}$ in.....	2	ea
06-1		G741-7374746		AL-GHA1044 WO-118813	7374746	THROWER, oil (fib).....	1	ea
06-1		G741-7374857		AL-GHA38 WO-118828	7374857	WASHER, drive end head outer retainer.....	2	ea
06-1		G741-7374859		AL-GHA40 WO-118830	7374859	WASHER, felt, drive end head.....	1	ea
<b>0601.3—GENERATOR (24-VOLT) (DELCO-REMY)</b>								
06-2		G742-7373350	2920-358-6304	DR-1904514 WO-118899	7373350	ARM, ELECTRICAL, BRUSH (used w/GENERATOR, G741-7524474 (4); used w/GENERATOR, G741-7355736 (2))	6	ea
06-2		G741-7413317		DR-1921762 WO-119484	7413317	ARMATURE (used w/GENERATOR, G741-7355736)...	1	ea
		G742-7538764		DR-1916146 WO-118882	7538764	ARMATURE (used w/GENERATOR, G741-7524474)...	1	ea
	H12	H012-7538748			7538748	BEARING, ball (SR, rad, seal and shield, 0.7874 bore, 1.8504 OD) (used w/GENERATOR, G741-7524474) (drive end head)	1	ea
06-2	H12	H012-7538747			7538747	BEARING, ball (SR, rad, 2 seals, 0.6693 bore, 1.5748 OD, 0.639 width) (commutator end head)	1	ea
06-2	H12	H012-7413226			7413226	BEARING, ball (SR, rad, 2 seals, 0.7874 bore, 1.8504 OD, 0.5512 width) (drive end head) (used w/GENERATOR, G741-7355736)	1	ea
06-2		G740-7375388	2920-737-5388	WO-801247	7375388	BRACE, adjusting, belt tension.....	1	ea
06-2	H1	H101-0423571	042-3571		423571	BOLT, INTEGRAL, LOCKWASHER, ext-teeth, hex-hd, S, cd or zn-pltd, $\frac{3}{8}$ -16NC-2 x 1	1	ea
06-2		G503-7371188	5305-360-8319	WO-A1468	7371188	BOLT, shoulder, hex-hd, S, $\frac{3}{8}$ -24 x $\frac{7}{8}$ .....	1	ea
06-2	H1	H001-4167601	012-0369		120369	NUT, PLAIN, HEXAGON, lt, s-fin, S, cd or zn-pltd, $\frac{3}{8}$ -24NF-2	1	ea
06-2	H1	H001-7043741	5310-012-0394		120394	WASHER, FLAT, plain, S, cd or zn-pltd, $1\frac{13}{32}$ ID, $1\frac{13}{16}$ OD, 0.065 thk	1	ea
06-2	H1	H001-7025741	5310-012-0382		120382	WASHER, LOCK, med, S, cd or zn-pltd, $\frac{3}{8}$ in.....	1	ea



(1)	(2)	(3)	(4)	(5)	(6)	(7)	(8)	(9)
ILLUSTRATION NO.	REFERENCE SYMBOLS	ORDNANCE STOCK NO.	FEDERAL STOCK NO.	MFR'S PART NO.	ORDNANCE PART NO.	DESCRIPTION	QUANTITY INCORPORATED IN UNIT	UNIT OF ISSUE
<b>GROUP 06—ELECTRICAL SYSTEM—Continued</b>								
<b>0601.3—GENERATOR (24-VOLT) (DELCO-REMY)</b>								
<b>—Continued</b>								
06-2		G742-7538749		DR-1906927 WO-118885	7538749	BRUSH (used w/GENERATOR, G741-7524474 (4); used w/GENERATOR, G741-7355736 (2)) (superseded by BRUSH, G741-8333799)	6	ea
06-2		G741-8333799			8333799	BRUSH (used w/GENERATOR, G741-7524474 (4); used w/GENERATOR, G741-7355736 (2)) (supersedes BRUSH, G742-7538749)	6	ea
06-2	H1	H101-0193257	019-3257		193257	BOLT, SELF-LOCKING, MACHINE, pan-hd, S, cd or zn-pltd, No. 6 (0.138) 32NC-2 x 1/4 (used w/GENERATOR, G741-7524474)	4	ea
06-2	H1	H101-0453292			453292	SCREW, MACHINE, sltd, pan-hd, S, cd-pltd, No. 6 (0.138) 32NC-2 x 1/4 (used w/GENERATOR, G741-7355736)	2	ea
06-2	H1	H001-7025561	5310-013-1044		131044	WASHER, LOCK, med, S, cd or zn-pltd, style No. 9, 0.253 OD, No. 6 (0.138) (used w/GENERATOR, G741-7524474 (4); used w/GENERATOR, G741-7355736 (2))	6	ea
06-2		G742-7538784		DR-1916415 WO-118886	7538784	BRUSH, collector, drive end head bearing, w/SPRING, assy	1	ea
				DR-1916417		Composed of:		
				DR-1916416		1 BRUSH		
				DR-1916417		1 SPRING		
				DR-1917894		BRUSH, collector spring	1	ea
						BUSHING, generator brush plate (used w/GENERATOR, G741-7524474 (4); used w/GENERATOR, G741-7355736 (2))	6	ea
06-2		G742-7538751	5910-256-9728	DR-1916209 WO-118888	7538751	CAPACITOR, FIXED, PAPER DIELECTRIC	1	ea
				DR-1916646 WO-119016	7388377	CLIP, terminal wiring	1	ea
		G742-5701238	570-1238	DR-1916773 WO-118889	5701238	COIL SET, field	1	ea
					453308	Composed of:		
					191720	8 SCREW (used w/GENERATOR, G741-7355736)		
					7538777	8 SCREW (used w/GENERATOR, G741-7524474)		
					7538762	1 WINDING, generator field, lower left		
					7538763	1 WINDING, generator field, lower right		
					7538763	1 WINDING, generator field, upper left		
					7538761	1 WINDING, generator field, upper right		

06-2		G742-7538754	753-8754	DR-1916322 WO-118890	7538754	COLLAR, armature, drive end.....	1	ea
06-2		G742-7716690		DR-1916150 WO-118891	7716690	ELBOW, 90 deg, No. 22 shell, waterproof electrical connector (terminal receptacle)	1	ea
06-2	H1	H001-5125891	5305-013-1987		131987	SCREW, MACHINE, fil-hd, S, cd or zn-pltd, No. 8 (0.164) 32NC-2A x 1	4	ea
06-2	H1	H101-0453299	5310-045-3299		453299	WASHER, LOCK, med, S, cd-dichromate-fin, No. 8 (0.164), style No. 9, 0.296 OD (used w/GENERATOR, G741-7355736)	4	ea
	H1	H001-7025591	012-1841		121841	WASHER, LOCK, med, S, cd or zn-pltd, No. 8 (0.164) (used w/GENERATOR, G741-7524474)	4	ea
				DR-1916645 WO-119017	7388375	FRAME, field coil, w/terminal BRACKET, assy (used w/GENERATOR, G741-7524474)	1	ea
06-2				DR-1921772 WO-119544		FRAME, generator field coil w/terminal BRACKET (used w/GENERATOR, G741-7355736)	1	ea
06-2		G742-7391018		DR-1916320 WO-118892	7391018	GASKET, annular, cop and asb, oval sec, 1 $\frac{3}{8}$ ID, 1 $\frac{5}{8}$ OD, $\frac{3}{32}$ thk (housing plug)	1	ea
06-2		G244-7716562	771-6562	DR-1916211 WO-118894	7716562	GASKET, flat, fiber, 1 $\frac{5}{8}$ sq, 1 $\frac{3}{8}$ ID, 4 No. 10 screw holes (receptacle mounting)	3	ea
06-2		G742-7538759	753-8759	DR-1916135 WO-118893	7538759	GASKET, ru, 1 $\frac{5}{8}$ ID, 3 $\frac{1}{4}$ OD, $\frac{1}{32}$ thk (commutator end head bearing retaining plate)	1	ea
				DR-1919233 WO-802727	8673353	GENERATOR, 24 v, waterproof, w/PULLEY, assy (optional, w/GENERATOR, 8673350-subgroup 0601.1) (superseded by GENERATOR, DR-1922304)	1	ea
06-2				DR-1922304 WO-806072		GENERATOR, 24 v, waterproof, w/PULLEY, assy (optional, w/GENERATOR, 8673350-subgroup 0601.1) (supersedes GENERATOR, 8673353)	1	ea
	H1	G740-7375174 H001-4167641	012-0370	WO-649818	7375174 120370	BOLT, shoulder, hex-hd, S, $\frac{1}{16}$ -20NF-3 x 2 $\frac{1}{4}$ ..... NUT, PLAIN, HEXAGON, lt, s-fin, S, cd or zn-pltd, $\frac{1}{16}$ -20NF-2	2 2	ea ea
	H1	H001-7043771	012-0395		120395	WASHER, FLAT, S, cd or zn-pltd, 1 $\frac{5}{32}$ ID, $\frac{59}{64}$ OD, 0.065 thk	2	ea
	H1	H001-7043801	012-0396		120396	WASHER, FLAT, S, cd or zn-pltd, 1 $\frac{7}{32}$ ID, 1 $\frac{1}{16}$ OD, 0.095 thk	2	ea
	H1	H001-7017711	5310-013-6857		136857	WASHER, LOCK, ext-teeth, S, cd or zn-pltd, $\frac{1}{16}$ in, style No. 10, 0.740 OD	2	ea
		G741-7524474		DR-1117486 WO-118895	7524474	GENERATOR, 24 v, waterproof, w/o PULLEY, assy (optional, w/GENERATOR, G741-7374750-subgroup 0601.1) (superseded by GENERATOR, G741-7355736)	1	ea
		G741-7355736		DR-1117495 WO-119547	7355736	GENERATOR, 24 v, waterproof, w/o PULLEY, assy (optional, w/GENERATOR, G741-7374750-subgroup 0601.1) (supersedes GENERATOR, G741-7524474)	1	ea

(1)	(2)	(3)	(4)	(5)	(6)	(7)	(8)	(9)
ILLUSTRATION NO.	REFERENCE SYMBOLS	ORDNANCE STOCK NO.	FEDERAL STOCK NO.	MFR'S PART NO.	ORDNANCE PART NO.	DESCRIPTION	QUANTITY INCORPORATED IN UNIT	UNIT OF ISSUE
<b>GROUP 06—ELECTRICAL SYSTEM—Continued</b>								
<b>0601.3—GENERATOR (24-VOLT) (DELCO-REMY) —Continued</b>								
06-2		G742-7538757	753-8757	DR-1916107 WO-118896	7538757	HEAD, commutator end.....	1	ea
				DR-1916326 WO-119020	7388376	HEAD, commutator end, assy (used w/GENERATOR, G741-7524474)	1	ea
					7538749	Composed of:		
					7538757	4 BRUSH		
					7373350	1 HEAD		
					7538766	4 HOLDER		
					8344313	1 HOLDER		
					193257	1 LEAD		
					7538778	4 SCREW		
					7538767	4 SPRING		
					131044	4 WASHER		
					7538756	4 WASHER		
06-2		G742-7538756	753-8756	DR-1916106 WO-118897	7538756	HEAD, drive end.....	1	ea
06-2	H1	H101-0453307	753-8782		453307	SCREW, MACHINE, fil-hd, S, cd-dichromate-fin, No. 12 (0.216)-24NC-2 x 1 <sup>1</sup> / <sub>16</sub> (used w/GENERATOR G741-7355736)	4	ea
	H1	H001-5127661	5305-013-2198		132198	SCREW, MACHINE, fil-hd, S, cd or zn-pltd, No. 12 (0.215)-24NC-2A x 3 <sup>4</sup> / <sub>4</sub> (used w/GENERATOR G741-7524474)	4	ea
06-2	H1	H101-0446161	044-6161		446161	WASHER, FLAT, lt, S, cd or zn-pltd, 3 <sup>8</sup> / <sub>8</sub> in.....	4	ea
06-2	H1	H101-0453708			453708	WASHER, lock, lt, S, cd-dichromate-fin, No. 12 (0.216)	4	ea
				DR-1921764 WO-119546		HEAD, generator commutator end, assy (used w/GEN- ERATOR G741-7355736)	1	ea
					7538749	Composed of:		
					7538757	2 BRUSH		
					7373350	1 HEAD		
					8344313	2 HOLDER		
					7413318	1 LEAD		
					453292	1 PLATE		
					7413315	2 SCREW		
					7538767	2 SPRING		
					131044	2 WASHER		
						2 WASHER		

H1	H101-0453307	753-8782		453307	SCREW, MACH, fil-hd, S, cd-dichromate-fin, No. 12 (0.216)-24NC-2 x $1\frac{1}{16}$ (used w/GENERATOR G741-7355736)	4	ea
H1	H001-5127661	5305-013-2198		132198	SCREW, MACH, fil-hd, S, cd or zn-pltd, No. 12 (0.216) 24NC-2A x $\frac{3}{4}$ (used w/GENERATOR G741-7524474)	4	ea
H1	H101-0446161	044-6161		446161	WASHER, FLAT, lt, S, cd or zn-pltd, $\frac{1}{32}$ ID, $\frac{1}{16}$ OD, 0.049 thk	4	ea
H1	H101-0453708 G742-7538766	248-8650	DR-1916159 WO-118902	453708 7538766	WASHER, lock, lt, S, cd-dichromate-fin, No. 12 (0.216) HOLDER, brush, assy (used w/GENERATOR G741-7524474)	4 1	ea ea
			DR-1917894 DR-1917582 DR-1916133 DR-1916134 DR-1916152 DR-1916153 DR-1916132 DR-1916154 DR-1916155 DR-1916151 DR-1916157 DR-1916158		Composed of: 4 BUSHING 4 HOLDER 2 INSULATOR 2 INSULATOR 2 PIN 2 PIN 1 PLATE 2 RIVET 2 RIVET 4 SUPPORT 2 WASHER 4 WASHER		
	G742-7539529	5310-753-9529	DR-1916156 WO-118903	7539529	NUT, sp, br, No. 10-32NF-2 (superseded by NUT G741-7413319)	2	ea
	G741-7413319	5310-741-3319		7413319	NUT, sp, br, No. 10-32NF-2 (supersedes NUT, G742-7539529)	2	ea
H1	H001-5148851	5305-013-2908		132908	SCREW, MACHINE, rd-hd, S, cd or zn-pltd, No. 10 (0.190) 32NF-2A x $\frac{1}{2}$	2	ea
H1	H001-7025621	5310-012-0217		120217	WASHER, LOCK, med, S, cd or zn-pltd, No. 10 (0.190) 0.194 ID, 0.337 OD	2	ea
			DR-1917582		HOLDER, brush plate (used w/GENERATOR, G741-7524474)	4	ea
			DR-1904516		HOLDER, generator brush plate (used w/GENERATOR, G741-7355736)	2	ea
	G741-7374865		DR-1917993 WO-118900 DR-1916133	7374865	INSULATOR, field coil (strip type)	2	ea
			DR-1916134		INSULATOR, GENERATOR BRUSH PLATE (used w/GENERATOR, G741-7524474 (2); used w/GENERATOR, G741-7355736 (1))	3	ea
					INSULATOR, GENERATOR BRUSH PLATE (used w/GENERATOR, G741-7524474 (2); used w/GENERATOR, G741-7355736 (1))	3	ea
	G740-7375175		WO-649817	7375175	INSULATOR, ru, $\frac{33}{64}$ ID, $1\frac{1}{16}$ OD, $1\frac{1}{32}$ lg (mounting support)	2	ea

(1)	(2)	(3)	(4)	(5)	(6)	(7)	(8)	(9)
ILLUSTRATION NO.	REFERENCE SYMBOLS	ORDNANCE STOCK NO.	FEDERAL STOCK NO.	MFR'S PART NO.	ORDNANCE PART NO.	DESCRIPTION	QUANTITY INCORPORATED IN UNIT	UNIT OF ISSUE
						<b>GROUP 06—ELECTRICAL SYSTEM—Continued</b>		
						<b>0601.3—GENERATOR (24-VOLT) (DELCO-REMY)</b>		
						<b>—Continued</b>		
06-2	H1	H001-0518012	012-4545		124545	KEY, WOODRUFF, ni-S, 1/8 x 5/8 (No. 5) (drive end).....	1	ea
				DR-1916325	8344313	LEAD, assy.....	1	ea
					7388377	Composed of:		
					7538753	1 CLIP		
					501224	1 WIRE		
06-2	H2	H002-0501224				PACKING, "O" ring, class B material (high flexibility), 3/32 thk, 1 1/16 ID (drive end head seal)	1	ea
		G742-7538750		DR-1913678 WO-118910	7538750	PACKING, PREFORMED, "O" ring, 1.599 ID, 0.135 thk (commutator end head bearing) (superseded by PACKING, H002-0546859)	1	ea
06-2	H2	H002-0546859	054-6859		546859	PACKING, PREFORMED, "O" ring, 1.599 ID, 0.135 thk (supersedes PACKING, G742-7538750) (commutator end head bearing)	1	ea
		G742-7538765		DR-1916149 WO-118911	7538765	PACKING, PREFORMED, "O" ring, 5 ID, 0.135 thk (commutator end head (1); drive end head (1)) (superseded by PACKING, H002-0546886)	2	ea
06-2	H2	H002-0546886			546886	PACKING, PREFORMED, "O" ring, 5 in ID, 0.135 thk (commutator end head (1); drive end head (1)) (supersedes PACKING, G742-7538765)	2	ea
				DR-1916152		PIN, generator brush plate (used w/GENERATOR, G741-7524474 (2); used w/GENERATOR, G741-7355736 (1))	3	ea
				DR-1916153		PIN, generator brush plate (used w/GENERATOR, G741-7524474 (2); used w/GENERATOR, G741-7355736 (1))	3	ea
06-2		G741-7413318		DR-1916132 DR-1921760 WO-119491	7413318	PLATE, brush (used w/GENERATOR, G741-7524474).....	1	ea
				DR-1917894		PLATE, brush, assy (used w/GENERATOR, G741-7355736)	1	ea
				DR-1904516		Composed of:		
				DR-1916133		2 BUSHING		
				DR-1916134		2 HOLDER		
				DR-1916152		1 INSULATOR		
				DR-1916153		1 INSULATOR		
						1 PIN		
						1 PIN		

06-2		G741-7413319		DR-1921761 DR-1916154 DR-1916155 DR-1916541 DR-1916157 DR-1916158 DR-1921747 WO-119496	7413319	1 PLATE 1 RIVET 1 RIVET 2 SUPPORT 1 WASHER 2 WASHER NUT, sp, S, cd-pltd, No. 10-32NF-2.....	2	ea
06-2	H1	H101-0453464			453464	SCREW, mach, rd-hd, S, cd-dichromate-fin, No. 10 (0.190)-32NF-2A x 1/2	2	ea
06-2	H1	H101-0453296	5310-045-3296		453296	WASHER, LOCK, med, S, cd-dichromate-fin, style No. 9, 0.337 OD, No. 10 (0.190)	2	ea
06-2				DR-1921761		PLATE, generator brush (used w/GENERATOR, G741-7355736)	1	ea
				DR-1921773 WO-119545		PLATE, name, identification (used w/GENERATOR, G741-7355736)	1	ea
				DR-1914906 WO-119019		RIVET.....	4	ea
				DR-1916161 WO-119018	7526739	PLATE, name (used w/GENERATOR, G741-7524474)....	1	ea
06-2		G742-7538783	753-8783	DR-1916413 WO-118904	7538783	PLATE, retaining, commutator end head bearing, w/SPRING, assy	1	ea
	H1	H001-5126631	5305-013-2033		132033	SCREW, MACHINE, fil-hd, S, cd or zn-pltd, No. 10 (0.190)-24NC-2A x 3/8 (used w/GENERATOR, G741-7524474)	6	ea
06-2	H1	H101-0453282			453282	SCREW, mach, fil-hd, S, cd-pltd, No. 10 (0.190)-24NC-2 x 3/8 (used w/GENERATOR, G741-7355736)	6	ea
	H1	H001-7017591			138479	WASHER, lock, ext-teeth, reg, S, cd or zn-pltd, No. 10 (0.190) (used w/GENERATOR, G741-7524474)	6	ea
06-2	H1	H101-0453474			453474	WASHER, lock, ext-teeth, S, cd-dichromate-fin, No. 10 (0.190) (used w/GENERATOR, G741-7355736)	6	ea
06-2		G742-7538760	753-8760	DR-1916137 WO-118905	7538760	PLATE, retaining, drive end head bearing.....	1	ea
	H1	H001-5147521			121749	SCREW, mach, rd-hd, S, cd or zn-pltd, No. 8 (0.164)-32NC-2 x 5/16 (used w/GENERATOR, G741-7524474)	4	ea
06-2	H1	H101-0453281			453281	SCREW, mach, rd-hd, S, cd-pltd, No. 8 (0.164)-32NC-2A x 5/16 (used w/GENERATOR, G741-7355736)	4	ea
06-2	H1	H101-0453473			453473	WASHER, lock, ext-teeth, reg, S, cd-dichromate-fin, No. 8 (0.164) (used w/GENERATOR, G741-7355736)	4	ea
	H1	H001-7017561	5310-012-1752		121752	WASHER, LOCK, ext-teeth, S, cd or zn-pltd, No. 8 (0.164), style No. 1, 0.365 OD (used w/GENERATOR, G741-7524474)	4	ea

(1)	(2)	(3)	(4)	(5)	(6)	(7)	(8)	(9)
ILLUSTRATION NO.	REFERENCE SYMBOLS	ORDNANCE STOCK NO.	FEDERAL STOCK NO.	MFR'S PART NO.	ORDNANCE PART NO.	DESCRIPTION	QUANTITY INCORPORATED IN UNIT	UNIT OF ISSUE
						<b>GROUP 06—ELECTRICAL SYSTEM—Continued</b>		
						<b>0601.3—GENERATOR (24-VOLT) (DELCO-REMY)</b>		
						<b>—Continued</b>		
06-2	H6	H006-0283192	011-8831		118831	PLUG, PIPE, slotted, hdls, br, 1/8 in (field coil frame)	1	ea
06-2		G742-7391017		DR-1916139 WO-118906	7391017	PLUG, rd-hd, sltd, S, cd-pltd, 1 5/8 OD, 1 3/8-12NF-2 (field coil frame inspection)	1	ea
06-2		G740-7375071	2805-737-5071	DR-1919234 WO-118916 AL-SP992 WO-118824	7375071	PULLEY, drive	1	ea
06-2	H1	H101-0453327			453327	NUT, lock, hex, reg, s-fin, S, 85,000 psi yield strength, zn-dichromate-fin, 1/2-20NF-2 (used w/GENERATOR, G741-7356736)	1	ea
	H1	H101-0451071	045-1071		451071	NUT, self-locking, hexagon, thin, s-fin, S, 85,000 psi yield strength, cd or zn-pltd, 1/2-20NF-2 (used w/GENERATOR, G741-7524474)	1	ea
		G741-7374866	5310-368-4943	DR-1918043 WO-118908	7374866	WASHER, FLAT, plain, S, zn-pltd, 33/64 ID, 15/16 ID, 3/32 thk (superseded by WASHER, 120396) (supersedes WASHER, G742-7538772)	1	ea
		G742-7538772	5310-753-8772	DR-1914589 WO-119014	7538772	WASHER, plain, S, cd or zn-pltd, 33/64 ID, 15/16 OD, 0.062 thk (superseded by WASHER, G741-7374866)	1	ea
06-2	H1	H001-7043801			120396	WASHER, plain, std, S, cd or zn-pltd, 1/2 in, 17/32 ID, 1 1/16 OD, 3/32 thk (supersedes WASHER, G741-7374866)	1	ea
06-2		G260-7388319		DR-1916007 WO-118909	7388319	RECEPTACLE, waterproof, box mounting, No. 22 shell, female socket insert, one No. 12 and two No. 8 cable contacts, assy (terminal)	1	ea
	H1	H101-0131966	5305-013-1966		131966	SCREW, MACH, fil-hd, S, cd or zn-pltd, No. 8 (0.164)-32NC-2A x 1/16 (used w/GENERATOR, G741-7524474)	4	ea
06-2	H1	H101-0453847			453847	SCREW, mach, fil-hd, S, zn-dichromate-fin, No. 8 (0.164)-32NC-2A x 1/16 (used w/GENERATOR, G741-7355736)	4	ea
06-2	H1	H101-0453299	5310-045-3299		453299	WASHER, LOCK, med, S, cd-dichromate-fin, No. 8 (0.164), style No. 9, 0.296 OD (used w/GENERATOR, G741-7355736)	4	ea
	H1	H001-7025591	012-1841		121841	WASHER, LOCK, med, S, cd or zn-pltd, No. 8 (0.164) (used w/GENERATOR, G741-7524474)	4	ea

			DR-1916155		RIVET, generator brush plate (used w/GENERATOR, G741-7524474 (2); used w/GENERATOR, G741-7355736 (1))	3	ea		
			DR-1916154		RIVET, generator brush plate (used w/GENERATOR G741-7524474 (2); used w/GENERATOR, G741-7355736 (1))	3	ea		
	H1	H001-5147521		121749	SCREW, mach, rd-hd, S, cd or zn-pltd, No. 8 (0.164)-32NC-2 x $\frac{5}{16}$ (field coil ground cable) (used w/GENERATOR, G741-7524474)	1	ea		
	H1	H001-7025591	012-1841	121841	WASHER, LOCK, med, S, cd or zn-pltd, No. 8 (0.164)	1	ea		
	H1	H101-0453281		453281	SCREW, mach, rd-hd, S, cd-pltd, No. 8 (0.164)-32NC-2A x $\frac{5}{16}$ (field coil ground cable) (used w/GENERATOR, G741-7355736)	1	ea		
	H1	H101-0453299	5310-045-3299	453299	WASHER, LOCK, med, S, cd-dichromate-fin, No. 8 (0.164), style No. 9, 0.296 OD (split helical thread)	1	ea		
06-2		G742-7538786		DR-1916642 WO-119011	7538786	SEAL, PLAIN ENCASED, oil and water, drive end head	1	ea	
	H1	H001-5147521			121749	SCREW, mach, rd-hd, S, cd or zn-pltd, No. 8 (0.164)-32NC-2 x $\frac{5}{16}$ (used w/GENERATOR G741-7524474)	4	ea	
06-2	H1	H101-0453281			453281	SCREW, mach, rd-hd, S, cd-pltd, No. 8 (0.164)-32NC-2 x $\frac{5}{16}$ (used w/GENERATOR G741-7355736)	4	ea	
06-2	H1	H101-0453473			453473	WASHER, lock, ext-teeth, S, cd-dichromate-fin, No. 8 (0.164) (used w/GENERATOR G741-7355736)	4	ea	
	H1	H001-7017561	5310-012-1752		121752	WASHER, LOCK, ext-teeth, S, cd or zn-pltd, No. 8 (0.164), style No. 1, 0.365 OD (used w/GENERATOR G741-7524474)	4	ea	
				DR-1916008 RC-908G1 WO-118991	7388382	SHOE, generator pole, assy (used w/GENERATOR, G741-7524474)	4	ea	
	H1	H101-0191720	5305-019-1720		191720	SCREW, MACHINE, cross-recess, fl-hd, S, cd or zn-pltd, $\frac{5}{16}$ -24NF-2 x $\frac{7}{8}$	8	ea	
06-2				DR-1921755 WO-119485		SHOE, pole, generator coil-contact (used w/GENERATOR, G741-7355736)	4	ea	
06-2	H1	H101-0453308			453308	SCREW, MACHINE, cross-recess, fl-hd, cd-dichromate-fin, $\frac{5}{16}$ -24NF-2A x $\frac{7}{8}$	8	ea	
06-2		G742-7538785	753-8785		7538785	SPACER, bearing (commutator end head)	1	ea	
06-2		G741-7413315			DR-1916149 WO-118912	7413315	SPRING, brush (used w/GENERATOR, G741-7355736)	2	ea
					DR-1916542 WO-119493				
					DR-1916416		SPRING, collector, generator brush	1	ea
		G742-7538778	249-8283		DR-1916324 WO-118913	7538778	SPRING, HELICAL, TORSION (used w/GENERATOR, G741-7524474)	4	ea



(1) ILLUSTRATION NO.	(2) REFERENCE SYMBOLS	(3) ORDNANCE STOCK NO.	(4) FEDERAL STOCK NO.	(5) MFR'S PART NO.	(6) ORDNANCE PART NO.	(7) DESCRIPTION	(8) QUANTITY INCORPORATED IN UNIT	(9) UNIT OF ISSUE
<b>GROUP 06—ELECTRICAL SYSTEM—Continued</b>								
<b>0601.3—GENERATOR (24-VOLT) (DELCO-REMY)</b>								
<b>—Continued</b>								
				DR-1916151		SUPPORT, brush, plate (used w/GENERATOR, G741-7524474)	4	ea
				DR-1916541		SUPPORT, generator brush plate (used w/GENERATOR, G741-7355736)	2	ea
		G740-7375389		WO-649816	7375389	SUPPORT, mounting	1	ea
	H1	H101-0227477	022-7477		227477	BOLT, MACHINE, hex-hd, s-fin, alloy-S, $\frac{3}{8}$ -16NC-2 x $\frac{7}{8}$	2	ea
	H1	H001-7025741	012-0382		120382	WASHER, LOCK, med, S, cd or zn-pltd, $\frac{3}{8}$ in	2	ea
				DR-1916157		WASHER, generator brush plate (used w/GENERATOR, G741-7524474 (2); used w/GENERATOR, TOR, G741-7355736 (1))	3	ea
				DR-1916158		WASHER, generator brush plate (used w/GENERATOR, G741-7524474 (4); used w/GENERATOR, G741-7355736 (2))	6	ea
06-2		G742-7538787	753-8787	DR-1916643 WO-118915	7538787	WASHER, bearing (drive end head)	1	ea
06-2		G742-7538767	753-8767	DR-1916160 WO-118914	7538767	WASHER, br, 0.191 ID, 0.359 OD, 0.023 thk (brush arm) (used w/GENERATOR, G741-7524474 (4); used w/GENERATOR, G741-7355736 (2))	6	ea
06-2		G742-7538777		DR-1915853 WO-118999	7538777	WINDING, GENERATOR FIELD, lower left	1	ea
06-2		G742-7538762	6115-753-8762	DR-1916141 WO-118998	7538762	WINDING, GENERATOR FIELD, lower right	1	ea
06-2		G742-7538763	6115-753-8763	DR-1916143 WO-118997	7538763	WINDING, GENERATOR FIELD, upper left	1	ea
06-2		G742-7538761		DR-1916140 WO-118996	7538761	WINDING, GENERATOR FIELD, upper right	1	ea
		G742-7538753	753-8753	DR-1916321 WO-118887	7538753	WIRE, ELECTRICAL, connecting, brush (No. 18 insulated, $5\frac{3}{4}$ in lg) (superseded by WIRE, H005-0818000)	1	ea
06-2	H5	H005-0818000			818000	WIRE, ELECTRICAL, connecting, brush (No. 18 insulated, $5\frac{3}{4}$ in lg) (supersedes WIRE, G742-7538753)	1	ea

0602—GENERATOR REGULATOR (24-VOLT)

06-3				AL-VBC-1029		ARMATURE, circuit breaker.....	1	ea
06-3				AL-VBC-1061		ARMATURE, current regulator.....	1	ea
06-3				AL-VBC-1080		ARMATURE, voltage regulator.....	1	ea
06-3	H1	H101-0131966	5305-013-1966		131966	SCREW, MACHINE, fil-hd, S, cd or zn-pltd, No. 8 (0.164)-32NC-2 x $\frac{1}{16}$	6	ea
06-3	H1	H001-7043591	013-1015		131015	WASHER, FLAT, med-series, S, cd or zn-pltd, $\frac{3}{16}$ ID, $\frac{1}{16}$ OD, 0.049 thk	6	ea
06-3				AL-VBC-40 WO-118764	8673471	BASE.....	1	ea
06-3		G741-7374917	2920-737-4917	AL-VBC-1055 WO-118793	7374917	BASE, insulating.....	1	ea
06-3	H1	H001-5148851	5305-013-2908		132908	SCREW, MACHINE, rd-hd, S, cd or zn-pltd, No. 10 (0.190)-32NF-2A x $\frac{1}{2}$	6	ea
06-3	H1	H001-7043621	5310-012-0391		120391	WASHER, FLAT, med series, S, cd or zn-pltd, $\frac{1}{32}$ ID, $\frac{1}{2}$ OD, 0.049 thk	4	ea
		G741-7374918		AL-VBC-1040S WO-118787	7374918	BASE, w/name PLATE, assy (includes RECEPTACLE, RECTIFIER, RESISTOR, TERMINAL, and FIL- TER)	1	ea
06-3	H1	H101-0424632	042-4632		424632	BOLT, INTEGRAL LOCK WASHER, rd-hd, S, cd or zn-pltd, $\frac{1}{4}$ -28NF-2 x $\frac{5}{16}$ (filter terminal) (supersedes SCREW, H101-0173355)	2	ea
06-3				AL-VRA1060A		BRACKET, adjusting, air gap, current and voltage regulators	2	ea
	H1	H001-5125821	5305-013-1958		131958	SCREW, MACHINE, fil-hd, S, cd or zn-pltd, No. 8 (0.164)-32NC-2 x $\frac{5}{16}$	4	ea
06-3	H1	H001-7043591	013-1015		131015	WASHER, FLAT, med, S, cd or zn-pltd, $\frac{3}{16}$ ID, $\frac{1}{16}$ OD, 0.049 thk	4	ea
06-3		G741-7374822		AL-VBC19 WO-118753	7374822	BRACKET, current regulator core resistor.....	1	ea
06-3		G741-7374823	2920-737-4823	AL-VBC43 WO-118757	7374823	BRACKET, mounting, regulator.....	2	ea
06-3	H1	H101-0425581	042-5581		425581	BOLT, INTEGRAL LOCK WASHER, hex-hd, S, cd or zn-pltd, $\frac{1}{4}$ -28NF-2 x $\frac{3}{4}$	4	ea
06-3		G741-7374921		AL-VBC21 WO-118754	7374921	BRACKET, voltage regulator core resistor.....	1	ea
06-3		G741-7374945		AL-VBC3070 WO-118795	7374945	BREAKER, circuit, assy.....	1	ea
06-3	H1	H001-0725250	050-3342		503342	NUT, SELF-LOCKING, HEXAGON, br, $\frac{1}{4}$ -28NF-3	1	ea
06-3		G740-7375357		AL-VAD176 WO-117017	7375357	WASHER, plain, $\frac{1}{4}$ in.....	1	ea
06-3				AL-VBC23 WO-118762	8393092	BUSHING, insulating, resistor base.....	1	ea

(1)	(2)	(3)	(4)	(5)	(6)	(7)	(8)	(9)
ILLUSTRATION NO.	REFERENCE SYMBOLS	ORDNANCE STOCK NO.	FEDERAL STOCK NO.	MFR'S PART NO.	ORDNANCE PART NO.	DESCRIPTION	QUANTITY INCORPORATED IN UNIT	UNIT OF ISSUE
						<b>GROUP 06—ELECTRICAL SYSTEM—Continued</b>		
						<b>0602—GENERATOR REGULATOR (24-VOLT)</b>		
						—Continued		
06-3		G741-7374919		AL-XA770 WO-118775	7374919	CAPACITOR, assy.....	1	ea
06-3		G741-7374920		AL-VBC1016 WO-118786	7374920	CHOKE, RF.....	1	ea
06-3		G741-7347560		AL-XA766 WO-118774	7347560	NUT, hex, elastic stop, No. 8-32NC.....	1	ea
06-3		G741-7348949	2920-362-3284	AL-VRA46 WO-A9052	7348949	CONNECTOR, generator regulator series coil.....	1	ea
06-3		G741-7374825		AL-VAD1118 AL-VBC2 WO-118752	7374825	CONTACT, stationary, circuit breaker..... COVER.....	1 1	ea ea
06-3	H1	H101-0127651	012-7651		127651	BOLT, MACHINE, sltd, hex-hd, S, cd or zn-pltd, No. 10 (0.190)-32NF-2 x 3/4	6	ea
06-3		G741-7374922		AL-VBC31 WO-118756	7374922	CUSHION, mounting, w/STUD, assy.....	4	ea
06-3		G741-7374923	2920-737-4923	AL-XA783 WO-118771	7374923	FILTER, radio suppression, assy.....	1	ea
06-3	H1	H101-0178469	017-8469		178469	BOLT, INTEGRAL LOCK WASHER, rd-hd, header- pt, S, cd or zn-pltd, No. 10 (0.190)-32NF-2 x 3/8 type 2	1	ea
06-3		G244-7716562		AL-VBC64 WO-119480 AL-XA767 WO-118769 AL-XA767A WO-119998	7716562	GASKET, body..... GASKET, mounting, No. 22 shell receptacle.....	1 2	ea ea
06-3		G507-7702474	5970-362-3272	AL-GAA35 AL-VAD116A AL-VAD117A AL-VBC47 WO-118766	7702474	INSULATOR, circuit breaker contact bracket..... INSULATOR, circuit breaker contact, inner..... INSULATOR, circuit breaker contact, outer.....	2 1 1	ea ea ea
06-3				AL-VBC47 WO-118766	8393095	LEAD, 2 1/4 lgh.....	1	ea
06-3				AL-VBC25 WO-118763	8393093	LEAD, assy.....	1	ea
06-3				AL-VBC46 WO-118758	8393090	LEAD, assy.....	1	ea

06-3		G741 7374965		AL-VBC30 WO-118755	7374965	LEAD, ELECTRICAL, gnd voltage, reg $\frac{7}{8}$ in wide, 4 in long, 2 holes $\frac{1}{32}$ in diam, 3 in C to C	4	ea
				AL-XA699 WO-118768		NUT, hex, elastic stop, No. 10-32NF (lead connection) (superseded by NUT, AL-XA699A)	3	ea
06-3				AL-XA699A WO-119478		NUT, hex, elastic stop, No. 10-32NF (lead connection) (supersedes NUT, AL-XA699)	3	ea
06-3		G741-7374964		AL-XA744N WO-118772	7374964	PACKING, preformed "O" ring, voltage regulator, $6\frac{3}{4}$ OD (24 v) (cover)	1	ea
06-3				AL-VBC42 WO-118765	8393094	PLATE, SHIELD, filter terminal	1	ea
06-3	H1	H101-0178469	017-8469		178469	BOLT, INTEGRAL LOCK WASHER, rd-hd, header-pt, S, cd or zn-pltd, No. 10 (0.190)-32NF-2 x $\frac{3}{8}$	2	ea
06-3	H6	H106-0444614	044-4614		444614	PLUG, PIPE, hex-hd, br, cd or zn-pltd, $\frac{1}{8}$ -27NPT	1	ea
06-3		G741-7374924		AL-VBC1036A WO-118788	7374924	RECEPTACLE, base, assy	1	ea
06-3		G741-7374925	2920-737-4925	AL-VBC1044 WO-118789	7374925	RECEPTACLE, w/CABLE, assy	1	ea
06-3	H1	H101-0131966	5305-013-1966		131966	SCREW, MACHINE, fil-hd, S, cd or zn-pltd, No. 8 (0.164)-32NC-2 x $\frac{1}{16}$	8	ea
06-3		G741-7374960		AL-XA782 WO-118770	7374960	RECTIFIER, radio suppression	1	ea
06-3	H1	H101-0178469	017-8469		178469	BOLT, INTEGRAL LOCK WASHER, rd-hd, header-pt, S, cd or zn-pltd, No. 1) (0.190)-32NC-2 x $\frac{3}{8}$	2	ea
06-3		G741-7374943		AL-VBC3008 WO-118794	7374943	REGULATOR, current, assy	1	ea
06-3	H1	H001-0725250	050-3342		503342	NUT, SELF-LOCKING, HEXAGON, br, $\frac{1}{4}$ -28NF-3	1	ea
06-3		G741-7524309		AL-VBC4002UT WO-800127	7524309	REGULATOR, generator, assy	1	ea
06-3	H1	H101-0426894	042-6894		426894	NUT, PLAIN, HEXAGON, reg, s-fin, S, cd or zn-pltd, $\frac{5}{16}$ -18NC-2	4	ea
06-3	H1	H101-0221177	5310-022-1177		221177	WASHER, LOCK, med, S, tin-pltd, $\frac{5}{16}$ in, style No. 9, 0.059 OD	4	ea
06-3		G741-7374944		AL-VBC3071 WO-118796	7374944	REGULATOR, voltage, assy	1	ea
06-3	H1	H001-0725250	050-3342		503342	NUT, SELF-LOCKING, HEXAGON, br, $\frac{1}{4}$ -28NF-3	1	ea
06-3				AL-VBC22 WO-118761	8393091	RESISTOR, carbon, button	1	ea
				AL-XA699 WO-118768		NUT, hex, elastic stop, No. 10-32NF (superseded by NUT, AL-XA699A)	1	ea
06-3				AL-XA699A WO-119478		NUT, hex, elastic stop, No. 10-32NF (supersedes NUT, AL-XA699)	1	ea
06-3	H1	H001-5148891	5305-013-2923		132923	SCREW, MACHINE, rd-hd, S, cd or zn-pltd, No. 10 (0.190)-32NF-2A x 1	1	ea
06-3				AL-EWD62 WO-118759	8672285	WASHER, insulating	1	ea
06-3	H1	H001-1522005	011-6090		116090	WASHER, FLAT, med, br, $\frac{1}{32}$ ID, $\frac{1}{2}$ OD, 0.049 thk	1	ea

(1) ILLUSTRATION NO.	(2) REFERENCE SYMBOLS	(3) ORDNANCE STOCK NO.	(4) FEDERAL STOCK NO.	(5) MFR'S PART NO.	(6) ORDNANCE PART NO.	(7) DESCRIPTION	(8) QUANTITY INCORPORATED IN UNIT	(9) UNIT OF ISSUE
<b>GROUP 06—ELECTRICAL SYSTEM—Continued</b>								
<b>0602—GENERATOR REGULATOR (24-VOLT)</b>								
<b>—Continued</b>								
06-3		G741-7374961		AL-VRP100C WO-118776	7374961	RESISTOR, carbon, 15 ohm	1	ea
		G741-7374962		AL-VRP100D	7374962	RESISTOR, carbon, 175 ohm (superseded by RESISTOR, G758-8332078)	1	ea
		G742-7539618		AL-VRP100E	7539618	RESISTOR, carbon, 200 ohm (superseded by RESISTOR, G758-8332078)	1	ea
06-3		G758-8332078		AL-VRP100K WO-119479	8332078	RESISTOR, carbon, 400 ohm (supersedes RESISTOR, G742-7539618 and RESISTOR, G741-7374962)	1	ea
06-3	H1	H001-5150131	5305-012-0628		120628	SCREW, MACHINE, rd-hd, S, cd or zn-pltd, ¼-20NC-2 x ½	4	ea
06-3	H1	H001-7043591	013-1015		131015	WASHER, FLAT, med-series, S, cd or zn-pltd, ⅜ ID, ⅜ OD, 0.049 thk	4	ea
06-3				AL-X3055 WO-118800		SCREW, int-teeth-lockwasher, fil-hd, No. 10 (0.190)-32NF x 1¼ (lead connection)	2	ea
06-3		G740-7375371		AL-8X3029 WO-118724	7375371	SCREW, int-teeth-lockwasher, fil-hd, No. 10 (0.190)-32NF x 1¼ (lead connection)	2	ea
06-3		G502-7702665		AL-VRA16	7702665	SCREW, mach, br, No. 10-48NS-2 x 1⅜ (adjusting current relay, voltage regulator, and circuit breaker armature)	3	ea
06-3		G507-7702608	770-2608	AL-VRA15	7702608	NUT, knurled, br, No. 10 (0.190)-48NS	3	ea
	H1	H101-0173355	5305-017-3355		173355	SCREW, MACHINE, rd-hd, S, cd or zn-pltd, ¼-28NF-2 x ⅜ (superseded by BOLT, H101-0424632)	2	ea
06-3		G507-7702646		AL-VRA17	7702646	SPRING, extension, corr-res-S, 0.048 diam stk, 14½ coils, 0.032 OD, 1⅜ lg (M5) (current regulator and circuit breaker armature)	2	ea
06-3		G507-7702645		AL-VRA84	7702645	SPRING, extension, corr-res-S, 0.048 diam stk, 0.302 OD, 1⅜ lg (M5) (voltage regulator armature)	1	ea
06-3				AL-VBC18 WO-118760	8672286	TERMINAL, resistor	1	ea
<b>0603—STARTER</b>								
06-5		G741-8328057		AL-MCZ2006F WO-119636	8328057	ARMATURE, assy (used w/STARTER, G740-8328132)	1	ea
06-4		G740-7375091	6105-737-5091	AL-MBP2238F WO-118843	7375091	ARMATURE, MOTOR, assy (used w/STARTER, G740-7762616)	1	ea

			AL-MCZ1069 WO-119638		BASE, switch, assy (used w/STARTER, G740-8328132)...	1	ea
06-6			AL-MCZ69		BASE, switch, starter	1	ea
06-5	G741-5346762		AL-MP41A WO-119631	5346762	BEARING, bushing type, bz (pinion housing) (used w/STARTER, G740-8328132)	1	ea
	G740-7375092	3120-424-3315	AL-ML92A WO-117346	7375092	BEARING, bushing type, bz (used w/STARTER, G740-7762616) (commutator end head)	1	ea
	G503-7371191		WO-639734	7371191	BEARING, bushing type, drive end (in flywheel housing) (used w/STARTER, G740-7762616)	1	ea
06-4	G740-7375093		AL-MZ2260 WO-117899	7375093	BEARING, bushing type, w/SEAL, assy (armature) (used w/STARTER, G740-7762616)	1	ea
06-6	G741-8328065		AL-MCZ1065 WO-119639	8328065	BLADE, switch, w/PLUNGER, assy (used w/STARTER, G740-8328132)	1	ea
06-4			AL-MZ271A WO-119076		BLOCK, terminal switch (used w/STARTER, G740-7762616)	1	ea
			AL-MPB12A		BRUSH (used w/STARTER, G740-7762616)	2	ea
			AL-MBP1034S		BRUSH, grounded (used w/STARTER, G740-7762616)	2	ea
06-5			AL-MCS1034S WO-119635		BRUSH, grounded (used w/STARTER, G740-8328132)	2	ea
06-5			AL-MCS12 WO-119610		BRUSH, insulated (used w/STARTER, G740-8328132)	2	ea
06-4	G740-7375094	5975-737-5094	AL-MBP2012S WO-118842	7375094	BRUSH SET Composed of: 2 BRUSH 2 BRUSH (used w/STARTER, G740-7762616)	1	ea
	G741-7369889		AL-MPB12A AL-MPB1034S				
			AL-MCS2012S	7369889	BRUSH SET, starter Composed of: 2 BRUSH 2 BRUSH (used w/STARTER, G740-8328132)	1	ea
			AL-MCS1034S AL-MCS12				
06-4			AL-MZ293A		BUSHING, insulating (terminal stud) (used w/STARTER, G740-7762616)	1	ea
06-6			AL-MCS69 WO-119621		BUSHING, insulating (terminal stud) (used w/STARTER, G740-8328132)	2	ea
06-6			AL-MCS67 WO-119620		BUSHING (terminal stud) (used w/STARTER, G740-8328132)	2	ea
06-4	G740-7375095		AL-MZ2274 WO-117893	7375095	CLUTCH (used w/STARTER, G740-7762616)	1	ea
06-5	G740-8328139		AL-MCL3161A WO-118645	8328139	CLUTCH, starter, assy (used w/STARTER, G740-8328132)	1	ea
06-4	G740-7375300	5935-737-5300	AL-MZ290 WO-117871	7375300	CONNECTOR, switch to field coil (used w/STARTER, G740-7762616)	1	ea
06-5	G740-8328140		AL-MCZ64 WO-119612	8328140	CONNECTOR, switch to field coil (used w/STARTER, G740-8328132)	1	ea

(1)	(2)	(3)	(4)	(5)	(6)	(7)	(8)	(9)
ILLUSTRATION NO.	REFERENCE SYMBOLS	ORDNANCE STOCK NO.	FEDERAL STOCK NO.	MFR'S PART NO.	ORDNANCE PART NO.	DESCRIPTION	QUANTITY INCORPORATED IN UNIT	UNIT OF ISSUE
<b>GROUP 06—ELECTRICAL SYSTEM—Continued</b>								
<b>0603—STARTER—Continued</b>								
06-4				AL-MZ1267 WO-117878		COVER, switch (used w/STARTER, G740-7762616).....	1	ea
06-4		G740-7375108	2920-737-5108	AL-MBP2340S WO-118802	7375108	FRAME, w/FIELD COIL, assy (used w/STARTER, G740-7762616)	1	ea
06-5		G741-8328056		AL-MCS2079S WO-119632	8328056	FRAME, w/field COILS, assy (used w/STARTER, G740-8328132)	1	ea
		G508-5214539		LO-FC602 WO-637604	5214539	GASKET, cop, 0.510 ID, $\frac{1}{16}$ OD, $\frac{1}{32}$ thk (starter to bell housing) (used w/STARTER, G740-8328132)	2	ea
		G740-8328141		WO-804396	8328141	GASKET, starter (used w/STARTER, G740-8328132)....	1	ea
		G740-7375307	5330-737-5307	AL-MZ273 WO-117870	7375307	GASKET, switch cover (used w/STARTER, G740-7762616)	1	ea
06-6		G741-8328062		AL-MCZ66 WO-119614	8328062	GASKET, switch cover (used w/STARTER, G740-8328132)	1	ea
06-6		G741-7374930		AL-MCS78 WO-119622	7374930	GASKET, terminal stud (used w/STARTER, G740-8328132)	2	ea
06-4		G740-7375104		AL-MZ1279 WO-117863	7375104	HEAD, commutator end (used w/STARTER, G740-7762616)	1	ea
06-5		G740-8328135		AL-MCS1083 WO-119633 AL-MBP2279	8328135	HEAD, commutator end, w/BEARING, assy (used w/STARTER, G740-8328132)	1	ea
06-4, 5	H1	H001-5125851	5305-013-1970		131970	SCREW, MACH, fil-hd, S, cd or zn-pltd, No. 8 (0.165)-32NC-2A x $\frac{1}{2}$	6	ea
06-4, 5	H1	H101-0426678	5310-042-6678		426678	WASHER, LOCK, med, S, tin-pltd, style No. 9, 0.296 in OD, No. 8 screw size	6	ea
06-4		G740-7375105	2920-737-5105	AL-PS1300 WO-118304	7375105	HOUSING, clutch and pinion, assy (used w/STARTER, G740-7762616)	1	ea
06-5		G740-8328136		AL-PS1310 WO-119649	8328136	HOUSING, drive pinion (used w/STARTER, G740-8328132)	1	ea
06-4, 5	H1	H101-0271122			271122	SCREW, MACHINE, hex-hd, S, cd-pltd, No. 8 (0.165) 32NF-2 x $\frac{1}{16}$	6	ea
06-4, 5	H1	H101-0426678	5310-042-6678		426678	WASHER, LOCK, med, S, tin-pltd, style No. 9, 0.296 OD, No. 8 screw size	6	ea

06-6				AL-MCZ73 WO-119623		HOUSING, SWITCH TERMINAL (used w/STARTER, G740-8328132)	1	ea
06-6	H1	H001-5127351			120216	SCREW, machine, fil-hd, S, cd-pltd, No. 10 (0.190)-32NF-2 x 1/2	4	ea
06-6	H1	H101-0431680	5310-043-1680		431680	WASHER, LOCK, reg, med, S, tin-pltd, No. 10	4	ea
06-6		G741-8328061		AL-MCZ62 WO-119613	8328061	INSULATOR, switch (used w/STARTER G740-8328132)	2	ea
06-4		G740-7348580	2920-734-8580	AL-MBP1044 WO-118917	7348580	LEVER, clutch (used w/STARTER, G740-7762616)	1	ea
				AL-MBP2044		LEVER, clutch, w/SHAFT, assy (used w/STARTER, G740-7762616)	1	ea
		G740-8328144		AL-MCZ1072 WO-119646	8328144	LEVER, shifting yoke shaft (superseded by LEVER, AL-MCZ1075) (used w/STARTER, G740-8328132)	1	ea
06-5				AL-MCZ1075 WO-120252		LEVER, shifting yoke shaft (supersedes LEVER, G740-8328144) (used w/STARTER, G740-8328132)	1	ea
	H1	H001-0518010	012-4543		124543	KEY, WOODRUFF, ni-S, 1/8 x 1/2 (No. 404 or 3) (superseded by KEY, 106749)	2	ea
06-4, 5	H1	H001-0518009	010-6749		106749	KEY, WOODRUFF, S, 1/8 x 1/2 (No. 404 or 3) (supersedes KEY, 124543)	2	ea
06-4, 5	H1	H001-4417731	013-7185		137185	PIN, COTTER, 1/8 x 1, clevis pin attaching, pltd	1	ea
06-5		G741-7347571		AL-X1379 WO-119643	7347571	NUT, hex, cop or br, 3/8-16NC-2 (terminal stud) (used w/STARTER, G740-8328132)	1	ea
06-4	H1	H001-4024580	021-8588		218588	NUT, PLAIN, HEXAGON, br, 5/16-24NF-2 (terminal stud) (used w/STARTER, G740-7762616)	1	ea
06-4		G740-7375306		AL-MZ262 WO-117901	7375306	PACKING, PREFORMED, "O" ring, intermediate bearing (used w/STARTER, G740-7762616)	1	ea
		G740-7375098	5330-737-5098	AL-XA744A WO-118840	7375098	PACKING, PREFORMED, "O" ring, 1 1/2 OD (pinion shaft) (superseded by PACKING, H002-0546942) (used w/STARTER, G740-7762616)	2	ea
06-4	H2	H002-0546942			546942	PACKING, PREFORMED, "O" ring, 1 1/2 OD (pinion shaft) (supersedes PACKING, G740-7375098) (used w/STARTER, G740-7762616)	2	ea
06-4		G740-7375099	5330-737-5099	AL-XA744D WO-117866	7375099	PACKING, PREFORMED, "O" ring, 3 1/2 OD (commutator end head (1) pinion housing (1)) (used w/STARTER, G740-7762616)	2	ea
06-5	H2	H002-0546875	054-6875		546875	PACKING, PREFORMED, "O" ring, 3 3/8 ID, 3 7/8 OD (commutator end head (1) and pinion housing (1)) (used w/STARTER, G740-8328132)	2	ea
06-4, 5	H2	H002-0501220	050-1220		501220	PACKING, PREFORMED, syn-ru, 3/8 ID, 1/2 OD (clutch (1) used w/STARTER, G740-7762616 yoke shaft (1) used w/STARTER, G740-8328132)	1	ea



(1) ILLUSTRATION NO.	(2) REFERENCE SYMBOLS	(3) ORDNANCE STOCK NO.	(4) FEDERAL STOCK NO.	(5) MFR'S PART NO.	(6) ORDNANCE PART NO.	(7) DESCRIPTION	(8) QUANTITY INCORPORATED IN UNIT	(9) UNIT OF ISSUE
						<b>GROUP 06—ELECTRICAL SYSTEM—Continued</b>		
						<b>0603—STARTER—Continued</b>		
	H1	G740-7760417 H001-4040501	2920-776-0417 050-3339	WO-801797	7760417 503339	PEDAL, starter switch, assy.....	1	ea
	H1	H001-4038501	050-3267		503267	NUT, SELF-LOCKING, HEXAGON, S, cd or zn-pltd, 1/4-28NF-3 (used w/STARTER, G740-7762616)	3	ea
	H1	H001-5418301	012-3435		123435	NUT, SELF-LOCKING, HEXAGON, S, cd or zn-pltd, 1/4-20NC-3 (used w/STARTER, G740-8328132)	3	ea
	H1	H001-5417601	012-0854		120854	SCREW, MACHINE, hex-hd, S, cd or zn-pltd, 1/4-28NF-3 x 5/8 (used w/STARTER, G740-7762616)	3	ea
	H1	H001-7045531	5310-012-0386		120886	SCREW, hex-hd, S, cd or zn-pltd, 1/4-20NC-3 x 5/8 (used w/STARTER, G740-8328132)	3	ea
		G740-7375103		AL-MBP1278 WO-118841	7375103	WASHER, FLAT, S, cd or zn-pltd, 3/4 OD, 0.065 thk (used w/STARTER, G740-8328132)	3	ea
06-4, 5		G741-7374938		AL-MCS1278 WO-119634	7374938	PLATE, commutator end head, w/BRUSH, assy (superseded by PLATE, G741-7374938)	1	ea
06-4, 5	H1	H001-5087931	5305-013-3482		133482	PLATE, w/BRUSH and SPRING, assy (supersedes PLATE, G740-7375103)	1	ea
06-4	H6	H006-0283195			283195	SCREW, MACH, fl-hd, S, cd or zn-pltd, No. 8 (0.165)-32NC-2 x 3/8	4	ea
06-6	H6	H006-0283192	011-8831		118831	PLUG, pipe, br, hex-hd, 1/4 in (pinion housing) (used w/STARTER, G740-7762616)	2	ea
06-4		G740-7375102	2920-737-5102	AL-MZ1265A WO-118844	7375102	PLUG, PIPE, sltd, hdls, br, 1/8-27NPT (pinion housing) (used w/STARTER, G740-8328132)	1	ea
06-6				AL-MCS57 WO-119618		PLUNGER, switch, w/BLADE, assy (used w/STARTER, G740-7762616)	1	ea
06-5		G741-8328071		AL-MCZ49 WO-119627	8328071	RETAINER, S, cd-pltd, 0.502 ID, 0.792 OD, 0.080 thk (terminal stud gasket) (used w/STARTER, G740-8328132)	2	ea
06-5				AL-19X888 WO-119829		RETAINER, shifting yoke shaft (used w/STARTER, G740-8328132)	1	ea
06-4, 5	H1	H101-0426678	5310-042-6678		426678	SCREW, MACHINE, FIL-HD, S, cd-pltd, No. 8 (0.165)-32NC x 3/16	1	ea
						WASHER, LOCK, med, S, tin-pltd, style No. 9, 0.296 OD, No. 8 screw size	1	ea

06-5		G741-7374940		AL-MCS46A WO-119629	7374940	RETAINER, snap ring (also known as pinion stop) (used w/STARTER, G740-8328132)	1	ea
06-6		G741-8328063		AL-MCZ70 WO-119615	8328063	RETAINER, spring, switch base (used w/STARTER, G740-8328132)	1	ea
06-5		G741-7347572		AL-MCS47A WO-119630	7347572	RING, snap retn, S, cd-pltd (retainer and pinion stop) (used w/STARTER, G740-8328132)	1	ea
06-4	H1	H101-0222489	022-2489		222489	SCREW SET, socket, hdls, S, plain fin, sl-pt, $\frac{5}{16}$ -24NF- 3 x $\frac{3}{4}$ (adjust stop-screw for $\frac{5}{8}$ pinion travel) (used w/STARTER, G740-7762616)	1	ea
06-4	H1	H001-4185561	012-4920		124920	NUT, PLAIN, HEXAGON, s-fin, S, cd or zn-pltd, $\frac{5}{16}$ -24NF-2	1	ea
06-5				AL-19X3168 WO-119766		SCREW, cap, hex-hd, S, cd-pltd, $\frac{5}{16}$ -24NF-2 x $1\frac{1}{16}$ (plunger adj) (used w/STARTER, G740-8328132)	1	ea
06-5	H1	H001-4185561	012-4920		124920	NUT, PLAIN, HEXAGON, s-fin, S, cd or zn-pltd, $\frac{5}{16}$ -24NF-2	1	ea
06-4		G740-7375309	5305-737-5309	AL-MZ286 WO-117884	7375309	SCREW, set, $\frac{1}{4}$ -20NC x $1\frac{3}{32}$ (clutch shaft) (used w/STARTER, G740-7762616)	1	ea
06-4, 5	H1	H101-0426678	5310-042-6678		426678	WASHER, LOCK, med, S, tin-pltd, style No. 9, 0.296 OD, No. 8 screw size	1	ea
06-6		G740-8328066		AL-XA744S WO-119617	8328066	SEAL, "O" ring, $\frac{3}{8}$ OD, (switch plunger) (used w/STARTER, G740-8328132)	1	ea
06-4		G740-7375305	2920-737-5305	AL-MZ259 WO-117889	7375305	SHAFT, clutch (used w/STARTER, G740-7762616)	1	ea
06-4		G740-7375106		AL-MZ2244 WO-117898	7375106	SHAFT, pinion, assy (used w/STARTER, G740- 7762616)	1	ea
06-5		G741-8328067		AL-MCZ77 WO-119628	8328067	SHAFT, shifting yoke (used w/STARTER, G740- 8328132)	1	ea
06-4, 5		G740-7375301		AL-MZ19A WO-117861	7375301	SPRING, brush holder	4	ea
06-4		G740-7375308		AL-MZ280 WO-117883	7375308	SPRING, clutch plunger (used w/STARTER, G740- 7762616)	1	ea
06-4		G740-7375097		AL-MZ323 WO-118303	7375097	SPRING, return, pinion shaft (used w/STARTER, G740-7762616)	1	ea
06-6		G741-8328064		AL-MCZ71 WO-119616	8328064	SPRING, switch blade (used w/STARTER, G740- 8328132)	1	ea
		G740-7762616	2920-776-2616	AL-MBP4301UT WO-649850	7762616	STARTER, ASSY (24v) (used on engines through serial No. 74419)	1	ea
	H1	H101-9409112			9409112	BOLT, MACHINE, hex-hd, w/spring lock washer, S, cd-pltd, $\frac{3}{8}$ -16NC-2 x $1\frac{1}{4}$	2	ea
	H1	H101-0192417	019-2417		192417	BOLT, INTEGRAL LOCK WASHER, hex-hd, S, cd or zn-pltd, $\frac{5}{16}$ -24NF-2 x $\frac{3}{4}$	1	ea
		G758-8329740		DR-X10483 WO-804758	8329740	STARTER, ASSY (24v, waterproof) (optional w/STARTER, G740-8328132) (used on engines after serial No. 74419)	1	ea

(1) ILLUSTRATION NO.	(2) REFER- ENCE SYMBOLS	(3) ORDNANCE STOCK NO.	(4) FEDERAL STOCK NO.	(5) MFR'S PART NO.	(6) ORDNANCE PART NO.	(7) DESCRIPTION	(8) QUANTITY INCOR- PORATED IN UNIT	(9) UNIT OF ISSUE
						<b>GROUP 06—ELECTRICAL SYSTEM—Continued</b>		
						<b>0603—STARTER—Continued</b>		
01-2; 06-5		G740-8328132		AL-MCZ4001UT WO-804376	8328132	STARTER, ASSY, (24v, waterproof) (optional w/STARTER, G758-8329740) (used on engines after serial No. 74419)	1	ea
	H1	H001-5423761	012-0426		120426	BOLT, MACHINE, hex-hd, S, cd or zn-pltd, 1/2-13NC-3 x 1 1/4	1	ea
	H1	H001-4040581	050-3323		503323	NUT, SELF-LOCKING, HEXAGON, S, cd or zn-pltd, 1/2-20NF-3	1	ea
	H1	H001-5458841			124378	SCREW, cap, hex-hd, S, cd or zn-pltd, 1/2-20NF-3 x 3 1/2	1	ea
	H1	H101-0451975			451975	SCREW, mach, hex-hd, w/spring lockwasher, S, cd or zn-pltd, 5/16-18NC-3 x 3/4	1	ea
	H1	H001-7025801	5310-012-0384		120384	WASHER, LOCK, med, S, cd or zn-pltd, 1/2 in (starter to bell housing)	1	ea
06-6				AL-MCS1060 WO-119641		STUD, switch terminal (used w/STARTER, G740-8328132)	1	ea
06-6				AL-MCZ1060 WO-119642		STUD, switch terminal (used w/STARTER, G740-8328132) (used on engines after serial No. 74419)	1	ea
06-6				AL-MCS63 WO-119619		INSULATOR, WASHER TYPE	1	ea
06-6		G741-7347571	5310-734-7571	AL-X1379 WO-119643	7347571	NUT, hex, cop or br, 3/8-16NC-2	1	ea
06-6	H1	H001-4133820	013-4570		134570	NUT, PLAIN, HEXAGON, br, 3/8-16NC-2 (used w/STUD, AL-MCS1060)	1	ea
		G741-7347568	5310-734-7568	AL-MN47B	7347568	WASHER, FLAT, plain, S, cd-pltd, 0.380 ID, 0.625 OD, 0.042 thk (superseded by WASHER, H101-0446548)	1	ea
06-6	H1	H101-0446548			446548	WASHER, FLAT, plain, S, cd or zn-pltd, 3/8 ID, 3/4 OD, 0.065 thk (supersedes WASHER, G741-7347568)	1	ea
06-6	H1	H101-0432646	5310-043-2646		432646	WASHER, LOCK, S, tin-fin, style No. 9, split helical ring, 0.678 OD, 3/8 in bolt size	2	ea
		G740-7375109	2920-737-5109	WO-649073	7375109	SUPPORT, mounting (used w/STARTER, G740-7762616)	1	ea
	H1	H101-0446564	044-6564		446564	BOLT, INTEGRAL, LOCK WASHER, spring type, hex-hd, S, plain fin, 3/8-16NC-2 x 7/8 (superseded by SCREW, 451977)	1	ea
					451977	SCREW, MACHINE, lock washer, hex-hd, S, cd or zn-pltd, 3/8-16NC-2 x 7/8 (supersedes BOLT, H101-0446564)	1	ea

		G740-8328133		WO-804362	8328133	SUPPORT, mounting (used w/STARTER, G740-8328132)	1	ea
	H1	H101-0451976			451976	SCREW, mach, hex-hd, w/spring lock washer, S, cd or zn-pltd, $\frac{3}{8}$ -16	1	ea
		G740-7375107		AL-MZ2267A WO-118845	7375107	SWITCH, ASSY (used w/STARTER, G740-7762616)	1	ea
06-4	H1	H001-5127361	5305-013-2119		132119	SCREW, MACH, fil-hd, S, cd or zn-pltd, No. 10 (0.190)-32NF-2 x $\frac{5}{8}$	6	ea
06-4	H1	H001-7025621	012-0217		120217	WASHER, LOCK, med, S, cd or zn-pltd, No. 10, 0.194 ID, 0.337 OD	6	ea
06-5, 6		G740-8328134		AL-MCZ2073 WO-119637	8328134	SWITCH, ASSY (used w/STARTER, G740-8328132)	1	ea
06-5				AL-19X709 WO-117904		SCREW, mach, fil-hd, S, cd-pltd, No. 10 (0.190)-32NF x $\frac{1}{16}$	4	ea
06-5	H1	H101-0431680			431680	WASHER, LOCK, reg, med, S, tnd, cd or zn-pltd, No. 10	4	ea
				AL-MCZ1073 WO-119640		TERMINAL, switch, assy (used w/STARTER, G740-8328132)	1	ea
06-4				AL-MZ1297 WO-118956	8393098	TERMINAL, switch, assy (used w/STARTER, G740-7762616)	1	ea
06-4	H1	H001-4133820	013-4570		134570	NUT, PLAIN, HEXAGON, br, $\frac{3}{8}$ -16NC-2	2	ea
06-4				AL-MZ296 WO-117877	8393087	WASHER, cap, 0.500 ID	1	ea
06-4				AL-MZ295A WO-119075	8393100	WASHER, INSULATING, $\frac{25}{64}$ ID, $\frac{15}{16}$ OD, 0.125 thk	1	ea
06-4	H1	H101-0432646	5310-043-2646		432646	WASHER, LOCK, S, tin-fin, style No. 9, split helical ring, 0.678 OD, $\frac{3}{8}$ in bolt size	2	ea
06-4				AL-MZ272 WO-117874	8680907	WASHER, NEOPRENE, $\frac{11}{32}$ ID, $\frac{27}{32}$ OD, $\frac{1}{8}$ thk	1	ea
06-4				AL-MZ294 WO-117875		WASHER, $\frac{25}{64}$ ID x $\frac{11}{16}$ x .042 thk (starter switch)	1	ea
06-4				AL-MZ1269 WO-117879	8393089	TERMINAL, switch, assy (used w/STARTER, G740-7762616)	1	ea
06-4, 6	H1	H001-4133820	013-4570		134570	NUT, PLAIN, HEXAGON, br, $\frac{3}{8}$ -16NC-2	2	ea
06-4				AL-MZ296 WO-117877	8393087	WASHER, CAP, 0.500 ID	1	ea
06-4				AL-MZ295A WO-119075	8393100	WASHER, INSULATING, $\frac{25}{64}$ ID, $\frac{15}{16}$ OD, 0.125 thk	1	ea
06-4, 5, 6	H1	H101-0432646	5310-043-2646		432646	WASHER, LOCK, S, tin-fin, style No. 9, split, helical ring, 0.678 OD, $\frac{3}{8}$ bolt size	2	ea
06-4				AL-MZ272 WO-117874	8680907	WASHER, NEOPRENE, $\frac{11}{32}$ ID, $\frac{27}{32}$ OD, $\frac{1}{8}$ thk	1	ea
06-4				AL-MZ294 WO-117875		WASHER, $\frac{25}{64}$ ID x $\frac{11}{16}$ x .042 thk (starter switch)	1	ea
06-4				AL-MZ281 WO-117845		WASHER, $\frac{9}{32}$ ID, $\frac{29}{32}$ OD, $\frac{1}{8}$ thk (used w/STARTER, G740-7762616)	1	ea

(1) ILLUSTRATION NO.	(2) REFER- ENCE SYMBOLS	(3) ORDNANCE STOCK NO.	(4) FEDERAL STOCK NO.	(5) MFR'S PART NO.	(6) ORDNANCE PART NO.	(7) DESCRIPTION	(8) QUANTITY INCOR- PORATED IN UNIT	(9) UNIT OF ISSUE
<b>GROUP 06—ELECTRICAL SYSTEM—Continued</b>								
<b>0603—STARTER—Continued</b>								
06-4				AL-MZ315A <sup>P</sup>		WASHER, insulating (used w/STARTER, G740-7762616)	1	ea
	H1	H101-0432646	5310-043-2646		432646	WASHER, LOCK, S, tin-fin, style No. 9, split helical ring, 0.678 OD, $\frac{3}{8}$ in bolt size (terminal stud) (used w/STARTER, G740-8328132)	1	ea
06-4	H1	H101-0221177	5310-022-1177		221177	WASHER, LOCK, med, S, tin-pltd, style No. 9, 0.591 OD, $\frac{5}{16}$ in bolt size (terminal stud) (used w/STARTER, G740-7762616)	2	ea
06-4				AL-MU37G WO-116933		WASHER, plain, $\frac{5}{16}$ in (used w/STARTER, G740-7762616)	1	ea
06-4		G740-7375303		AL-MU54D WO-117867	7375303	WASHER, thrust, armature ( $\frac{1}{4}$ thk) (used w/STARTER, G740-7762616)	‡	ea
06-4		G740-7375302		AL-MU54C WO-118298	7375302	WASHER, thrust, armature (0.0312 thk) (used w/STARTER, G740-7762616)	‡	ea
06-4		G740-7375304		AL-MU54E WO-117868	7375304	WASHER, thrust, armature (0.046 thk) (used w/STARTER, G740-7762616)	‡	ea
06-5		G507-5308275		AL-MU54 WO-109455	5308275	WASHER, thrust, armature, commutator end (0.0312 thk) (used w/STARTER, G740-8328132)	‡	ea
		G502-5346760	534-6760	AL-MU54B WO-117337	5346760	WASHER, thrust, armature commutator end (0.045 thk) (used w/STARTER, G740-8328132)	‡	ea
06-5		G741-8328058		AL-MU54L WO-119596	8328058	WASHER, thrust, armature, commutator end (0.0625 thk) (used w/STARTER, G740-8328132)	‡	ea
06-5		G741-7369888		AL-MN18A WO-119611	7369888	WASHER, thrust, armature, drive end (used w/STARTER, G740-8328132) (used on engines after serial No. 74419)	1	ea
06-4, 5		G507-5308307	2920-364-5974	AL-MAD110 WO-117858	5308307	WICK, commutator end head bearing (felt).....	1	ea
06-4		G740-7375100		AL-MZ1242 WO-117886	7375100	YOKE, assy (clutch) (used w/STARTER, G740-7762616)	1	ea
06-5		G741-8328069		AL-MCZ2050 WO-119647	8328069	YOKE, assy (clutch) (used w/STARTER, G740-8328132)	1	ea
<b>0604.1—DISTRIBUTOR</b>								
06-7		G740-7375372	2920-737-5372	AL-IAU20 WO-118729	7375372	ARM, advance control.....	1	ea
06-7	H1	H001-5025521	021-4002		214002	BOLT, MACHINE, hex-hd, S, cd-pltd, $\frac{1}{4}$ -20NC-2 x $\frac{3}{4}$	1	ea

06-7	H1	H001-7045561	5310-012-0387		120387	WASHER, FLAT, plain, S, zn-pltd, ¼ in.	1	ea
06-7	H1	H101-0431543	5310-043-1543		431543	WASHER, LOCK, S, tin-fin, style No. 9, 0.495 OD, ¼ in bolt size	1	ea
		G740-7412439		AL-IAU2064S	7412439	BASE, distributor and coil, w/BEARING, assy (used w/DISTRIBUTORS, G740-7355596 and G740-7375375)	1	ea
					542109	Composed of:		
					7347547	2 BEARING		
					118831	1 PLUG		
				AL-IAU10	7351671	1 PLUG		
					7346969	1 SEAL		
					8329787	1 WASHER		
06-7		G758-8329785		AL-IAU2064S2 WO-120202	8329785	1 WICK		
		G741-7374877		AL-IAU2058	7374877	BASE, w/BEARING, assy (used w/DISTRIBUTOR, G758-7358569)	1	ea
		G741-8328077			8328077	BASE, w/BEARING, assy (used w/DISTRIBUTOR, G740-7375375) (superseded by BASE, G741-8328077)	1	ea
		G502-7329386		AL-IGC1149	7329386	BASE, w/BEARING, assy (supersedes BASE, G741-7374877)	1	ea
06-7	H1	H001-2010620			542109	BRACKET, stationary contact	1	ea
				AL-RX2781		BUSHING, bz, ½ ID, ⅝ OD, 1 in lg (base)	2	ea
06-7		G740-7375378		AL-IAU1100L WO-118718	7375378	CABLE, 4¾ in lg (breaker plate to coil)	1	ea
06-7		G740-7375377	2920-353-7206	AL-IAU1048 WO-118717	7375377	CAM, w/stop PLATE (welded)	1	ea
06-7	H1	H101-0455219			455219	CAP, distributor	1	ea
				AL-IAU2076L AL-XA790		SCREW, MACHINE, w/int-teeth-lock washer, fil-hd, S, cd or zn-pltd, SIMS type, No. 8-32NC-2 x 1	3	ea
						CAPACITOR (breaker plate)	1	ea
						CAPACITOR, receptacle (used w/DISTRIBUTORS, G740-7355596 and G758-7358569)	1	ea
06-7		G741-7374881	5910-358-6842	AL-IAU3076L WO-118720 AL-IAU2076 AL-IGB132	7374881	CAPACITOR, w/TERMINAL, assy (breaker plate)	1	ea
						Composed of:		
						1 CAPACITOR		
						1 TERMINAL		
06-7	H1	H101-0455209			455209	SCREW, machine, w/int-tooth-lockwasher, fil-hd, S, cd or zn-pltd, SIMS type, No. 6-32NC-2 x ⅜	1	ea
06-7		G758-8329784		AL-IAU1065 WO-119058	8329784	CAPACITOR, w/TERMINAL, assy (receptacle) (used w/DISTRIBUTORS G740-7355596 and G758-7358569)	1	ea
				AL-XA790		Composed of:		
				AL-IGB26		1 CAPACITOR		
				AL-IAU6		1 TERMINAL		
		G758-8329605		WO-119053	8329605	CLAMP, lead cable	2	ea

(1)	(2)	(3)	(4)	(5)	(6)	(7)	(8)	(9)
ILLUSTRATION NO.	REFERENCE SYMBOLS	ORDNANCE STOCK NO.	FEDERAL STOCK NO.	MFR'S PART NO.	ORDNANCE PART NO.	DESCRIPTION	QUANTITY INCORPORATED IN UNIT	UNIT OF ISSUE
						<b>GROUP 06—ELECTRICAL SYSTEM—Continued</b>		
						<b>0604.1—DISTRIBUTOR—Continued</b>		
06-7		G507-5346775	2920-362-2995	AL-IG676 WO-A1663	5346775	CLIP, breaker lever spring	1	ea
06-7	H1	H101-0583842			583842	SCREW, MACH, hex-hd, S, cd-pltd, No. 6 (0.138)-32NC-2 x $\frac{5}{16}$	1	ea
06-7	H1	H101-0500494			500494	WASHER, lock, lt, S, tin-pltd, No. 6 (0.138)	1	ea
06-7	H1	H001-7043561	013-1014		131014	WASHER, medium series, S, No. 6 (0.138), cd or zn-pltd	1	ea
06-7		G741-7351133	2920-366-6480	AL-IGS19S WO-117091	7351133	COIL, ignition (see subgroup 0605) COLLAR, drive shaft	1	ea
06-7	H1	H001-0829596	011-2011		112011	PIN, STRAIGHT, HEADLESS, sq-ends, cold-fin-S, $\frac{1}{8}$ x $\frac{7}{8}$	1	ea
	H6	H006-0214310			137404	CONNECTOR, flared tube, inverted, br, $\frac{3}{16}$ in tube, $\frac{1}{8}$ in male pipe end	2	ea
06-7		G740-7375373		AL-IAU49 WO-118733	7375373	COVER, distributor and coil	1	ea
06-7		G740-7375371		AL-X3029 WO-118724	7375371	SCREW, int-teeth-lock washer, fil-hd, S, cd-pltd, No. 10-32NF-2 x $\frac{1}{16}$	6	ea
		G740-7355596	2920-735-5596	AL-IAU4006UT WO-804329	7355596	DISTRIBUTOR w/COIL and FILTER, assy (supersedes DISTRIBUTOR, G740-7375375) (superseded by DISTRIBUTOR, G758-7358569)	1	ea
		G740-7375375	2920-776-2684	AL-IAU4004UT WO-800142	7375375	DISTRIBUTOR, w/COIL, assy (superseded by DISTRIBUTOR, G740-7355596)	1	ea
01-2, 4; 06-7		G758-7358569		AL-IAU4006AUT WO-806330	7358569	DISTRIBUTOR, w/COIL, assy (supersedes DISTRIBUTOR, G740-7355596)	1	ea
	H1	H101-0191509	019-1509		191509	BOLT, INTEGRAL, LOCK WASHER, spring type, hex-hd, S, pl, fin, $\frac{1}{4}$ -20NC-2 x $\frac{5}{8}$ (superseded by BOLT, H101-9409107)	1	ea
	H1	H101-9409107			9409107	BOLT, MACHINE, hex-hd, w/spring lock washer, S, cd or zn-pltd, $\frac{1}{4}$ -20NC-2 x $\frac{5}{8}$ (supersedes BOLT, H101-0191509)	1	ea
	H1	H001-7043681	5310-012-0392		120392	WASHER, FLAT, light series, S, $\frac{1}{4}$ in, cd or zn-pltd, $\frac{3}{32}$ ID, $\frac{5}{8}$ OD, 0.065 thk	1	ea
	H6	H006-0260846			137420	ELBOW, flared tube, inverted, 90 deg, br, $\frac{3}{16}$ in tube, $\frac{1}{8}$ in male pipe end	1	ea
06-7	H9	H009-0100443			27-F-318- 100	FELT, soft, gray, $\frac{1}{8}$ in thk (cam sleeve) (supersedes WICK, G507-5346784)	1	ea

06-7		G740-7375110		AL-IAH15 WO-117066	7375110	GASKET, advance control plate.....	1	ea
		G741-7374896		AL-XA748 WO-117714	7374896	GASKET, mounting, receptacle (used w/DISTRIBU- TOR, G740-7375375)	1	ea
06-7		G741-7374885		AL-IAU39 WO-118732	7374885	HOLDER, breaker plate.....	2	ea
06-7		G741-7374878	2920-358-8182	AL-IAU24 WO-118730 AL-RX2781 AL-IGB26 AL-IGB132	7374878	LEAD, electrical, breaker plate to coil, assy..... Composed of: 1 CABLE 1 TERMINAL 1 TERMINAL	1	ea
06-7	H1	H001-4135681	012-0614		120614	NUT, PLAIN, HEXAGON, S, cd or zn-pltd, No. 10- 32NC-2	2	ea
06-7	H1	H001-7025621	5310-012-0217		120217	WASHER, LOCK, med, S, cd or zn-pltd, No. 10 (0.194) ID, 0.337 OD	2	ea
06-7	H2	H002-0501223	050-1223		501223	PACKING, PREFORMED, "O" ring, syn-ru, $\frac{5}{16}$ ID, $\frac{3}{4}$ OD, $\frac{3}{32}$ thk (cover plug (1); receptacle mtg (1))	2	ea
06-7	H2	H002-0546880	054-6880		546880	PACKING, PREFORMED, "O" ring, syn-ru, $4\frac{1}{4}$ ID, $4\frac{1}{2}$ OD	1	ea
06-7		G741-7374887		AL-IAU1004 WO-118714 AL-IAU2004	7374887	PLATE, breaker.....	1	ea
						PLATE, breaker, assy..... Composed of: 1 CAPACITOR 1 CLIP 1 LEAD 1 PLATE 1 POINT SET 1 SCREW 1 SCREW 1 WASHER 1 WASHER	1	ea
					7374881 5346775 7374878 7374887 5346774 583842 455209 131014 500494			
06-7	H1	H101-0591400			591400	SCREW, int-teeth-lock washer, fil-hd, (Sims type) S, cd or zn-pltd, No. 10 (0.190)-32NF-2 x $\frac{5}{16}$	2	ea
06-7		G741-7374888		AL-IAU54 WO-118735	7374888	PLUG, hex-hd, br, cd-pltd, $\frac{5}{16}$ -18NF-2 (distributor and coil cover)	1	ea
06-7	H6	H006-0283192	011-8831		118831	PLUG, PIPE, sltd, hlds, br, pl-fin, $\frac{1}{8}$ in-27NPT (base).....	1	ea
06-7		G741-7347547		AL-IAU41 WO-118737	7347547	PLUG, sq-hd-washer, br, cd-pltd, No. 10-32NF-2 (base drain)	1	ea
06-7		G507-5346774	2920-423-4553	AL-IGP3028FS WO-A1687	5346774	POINT SET, distributor..... Composed of: 1 BRACKET 1 POINT	1	ea
					7329386			
06-7	H1	H101-0455210		AL-IGP3028	455210	SCREW, MACHINE, w/int-teeth lock washer, fil-hd, S, cd or zn-pltd, Sims type, No. 8-32NC-2 x $\frac{5}{16}$	1	ea



(1)	(2)	(3)	(4)	(5)	(6)	(7)	(8)	(9)
ILLUSTRATION NO.	REFERENCE SYMBOLS	ORDNANCE STOCK NO.	FEDERAL STOCK NO.	MFR'S PART NO.	ORDNANCE PART NO.	DESCRIPTION	QUANTITY INCORPORATED IN UNIT	UNIT OF ISSUE
						<b>GROUP 06—ELECTRICAL SYSTEM—Continued</b>		
						<b>0604.1—DISTRIBUTOR—Continued</b>		
		G116-0400060		AL-IGP3028 WO-A1570		POINT, stationary contact.....	1	ea
06-7		G758-8329786		AL-IAU63 WO-119055	8329786	RECEPTACLE, br, cd-pltd (used w/DISTRIBUTORS, G740-7355596 and G758-7358569)	1	ea
06-7	H1	H101-0455215		AL-X3123 WO-119057	455215	SCREW, int-teeth-lock washer, fil-hd, S, cd-pltd, No. 6 (0.138)-32NC-2 x 1 $\frac{15}{32}$	4	ea
		G741-7374890		AL-IAU1046 WO-118716	7374890	RECEPTACLE, w/CABLE, assy (used w/DISTRIBUTOR, G740-7375375)	1	ea
		G740-7375386		AL-8X3090 WO-118728	7375386	SCREW, int-teeth-lock washer, fil-hd, S, cd-pltd, No. 6 (0.138)-32NC-2 x 1 $\frac{15}{32}$	4	ea
06-7		G507-5346767		AL-IG680 WO-A1653	5346767	RING, retn, distributor cam.....	1	ea
06-7		G740-7348578		AL-IAU1066 WO-118879	7348578	ROTOR.....	1	ea
06-7		G741-8328076		AL-IAU62	8328076	SEAL, connector terminal (used w/DISTRIBUTORS, G740-7355596 and G758-7358569)	1	ea
06-7	H13	H013-7351671		WO-119054	7351671	SEAL, oil, type, ML, 0.756 OD, $\frac{1}{8}$ width, 0.500 shaft diam	1	ea
06-7		G740-7375376		AL-IAU1002L WO-118713	7375376	SHAFT, drive.....	1	ea
06-7		G507-5346768		AL-IGS99 WO-A1672	5346768	SPACER, S, 0.316 ID, 0.5625 OD, 0.150 thk (cam).....	1	ea
06-7		G740-7412960		AL-IGT69 WO-A1684	7412960	SPRING, anti-rattle, governor weight.....	1	ea
06-7		G741-7374893		AL-IAU29 WO-118731	7374893	SPRING, cap.....	1	ea
06-7				AL-IGB284		SPRING, governor weight.....	2	ea
		G513-7330828		AL-IGE24S WO-118747 AL-IGE24	7330828	SPRING SET, governor weight..... Composed of: 2 SPRING (used w/DISTRIBUTORS, G740-7375375 and G740-7355596)	1	ea
				AL-IGB284S WO-119988		SPRING SET, governor weight..... Composed of:	1	ea
		G716-7347355		AL-IGB284 AL-IAT55 WO-637615	7347355	2 SPRING (used w/DISTRIBUTOR, G758-7358569) SPRING, tension, drive shaft.....	1	ea

			AL-IGB132		TERMINAL, cable, solder, eyelet, dble-ear, hole for No. 10 screw (breaker plate capacitor (1) and breaker plate to coil cable (1))	2	ea
			AL-IGB26		TERMINAL, cable, solder, roll, dble-ear, RH (breaker plate to coil cable) (1); (receptacle capacitor) (1)	2	ea
06-7			AL-IAU10 WO-118736		WASHER, cork, $\frac{9}{16}$ ID, $2\frac{3}{32}$ OD, $\frac{1}{32}$ thk (drive shaft)	1	ea
06-7	G741-7374894		AL-IAU52 WO-118734	7374894	WASHER, neoprene, $\frac{1}{2}$ ID, $2\frac{9}{32}$ OD, $\frac{3}{32}$ thk (cap)	4	ea
06-7	G741-7346969		AL-IAU42 WO-118738	7346969	WASHER, plain, cop, $1\frac{3}{64}$ ID, $\frac{3}{8}$ OD, 0.032 thk (base drain plug)	1	ea
06-7	G741-7374895		AL-IAH13 WO-117064	7374895	WASHER, thrust, S, cd-pltd, $1\frac{3}{64}$ ID, $1\frac{9}{16}$ OD, $\frac{1}{32}$ thk (advance control plate)	1	ea
06-7	G507-5307283		AL-IG90 WO-106740	5307283	WASHER, thrust, S, 0.505 ID, 0.7968 OD, 0.032 thk (drive shaft, lower)	1	ea
06-7	G160-7980860	350-0843	AL-IG313 WO-117090	7980860	WASHER, thrust, S, 0.505 ID, 1.0 OD, 0.032 thk (drive shaft, upper)	1	ea
06-7	G503-7706790		AL-IGC2168L WO-A9314	7706790	WEIGHT, governor, assy	2	ea
06-7	G758-8329787		AL-GT97 WO-108874	8329787	WICK, oil, base (felt)	1	ea
	G507-5346784	5390-362-1413	AL-IGH28 WO-A1671	5346784	WICK, oil, washer type, felt (cam sleeve) (superseded by FELT, 27-F-318-100)	1	ea
<b>0605-IGNITION COIL, WIRING, AND SPARK PLUGS</b>							
06-8, 11	G740-7528173		BZ-E1249-125-20 GE-IGC6Z328 WO-801111	7528173	CABLE, distributor to spark plug, assy (cylinder No. 1) (23 $\frac{3}{4}$ in overall lgh)	1	ea
01-4; 06-8, 11	G740-7528174	6680-752-8174	BZ-E1249-125-10 GE-IGC6Z329 WO-801112	7528174	CABLE, distributor to spark plug, assy (cylinders No. 2, 3, and 4) (19 $\frac{3}{4}$ overall lgh)	3	ea
06-8			TI-A36747		CABLE, 5-mm, high tension (AXS-1308, rev 3, type 1, grade B, class 2, high low temp, 0.191 min OD, 0.206 max OD)	4	ea
			TI-A25065	7528200	CAP, shielding, spark plug cable (CABLE, G740-7528173, 2 required); (CABLE, G740-7528174, 6 required)	8	ea
06-7	G741-7374882	737-4882	AL-CT4002 WO-118712	7374882	COIL, ignitio (included w/DISTRIBUTORS, G740-7375375 and G740-7355596)	1	ea
06-7	H1	H101-0455214	AL-X3028 WO-118723	455214	SCREW, MACHINE, w/int-tooth-lock washer, fil-hd, S, cd or zn-pltd, Sims type, No. 10-32NC-2 x $\frac{1}{16}$ in (coil bracket)	2	ea
			TI-S154-1864	7528197	CONDUIT, flex shielding, br inner core, silicon-bz wire braid, nom size $\frac{9}{32}$ in, ID 0.28 x OD 0.455	4	ea

(1) ILLUSTRATION NO.	(2) REFER- ENCE SYMBOLS	(3) ORDNANCE STOCK NO.	(4) FEDERAL STOCK NO.	(5) MFR'S PART NO.	(6) ORDNANCE PART NO.	(7) DESCRIPTION	(8) QUANTITY INCOR- PORATED IN UNIT	(9) UNIT OF ISSUE
<b>GROUP 06—ELECTRICAL SYSTEM—Continued</b>								
<b>0605—IGNITION COIL, WIRING, AND SPARK PLUGS—Continued</b>								
06-8		G244-7526951	752-6951	TI-A25061	7526951	CONNECTOR, spark plug cable, assy.....	8	ea
					7526970 7528185 7760405	Composed of: 1 CONNECTOR 1 EYELET 1 SPRING		
06-8		G244-7526970	752-6970	TI-A37708	7526970 7729618	CONNECTOR, spark plug cable terminal..... ELBOW, assy.....	8 4	ea ea
					7528192 7528182 7528193 7729617 7528187 7528175	Composed of: 1 ELBOW 1 FERRULE 1 FERRULE 1 NUT 1 NUT		
				TI-U1864-57	7528175	ELBOW, assy.....	4	ea
					7528178	Composed of: 1 ELBOW 1 FERRULE 1 FERRULE 1 NUT		
				TI-U1864-58A	7528182 7729617			
				TI-A56136	7528192	ELBOW, tubing, corr-res-S, 90 deg, 0.440 OD, 0.032 thickness of wall, 1 $\frac{1}{16}$ overall lgh	4	ea
				TI-A56178	7528178	ELBOW, tubing, corr-res-S, 90 deg, 0.440 OD, 0.032 thickness of wall. 1 $\frac{1}{16}$ overall lgh	4	ea
				AC-1559183	7528185	EYELET, spark plug cable terminal sleeve.....	8	ea
				TI-A27622	7528182	FERRULE, br (cable).....	8	ea
				TI-U1864-58A		FERRULE, br (cable).....	4	ea
06-8				TI-U1864-20A	7528193	FERRULE, br, end (cable).....	4	ea
	H2	H102-0150189			150189	GASKET, annular, cop, oval sec, 14mm (spark plug).....	4	ea
06-8		G244-7526949	752-6949	TI-A37320	7526949	INSULATOR, terminal, ru.....	8	ea
06-8		G244-7526940	752-6940	TI-A22524	7526940	NAIL, rd-hd, br, 0.037 body diam, 0.406 in lg.....	8	ea
06-8				TI-A23377	7528187	NUT, hex, corr-res-S, 5 $\frac{1}{8}$ -24NF-3.....	8	ea
				TI-A37317	7729617	NUT, hex, corr-res-S, 5 $\frac{1}{8}$ -24NF-3.....	8	ea

01-4	H4	H004-7524258		AC-5569357 WO-801791 WO-801656 AL-AR5S	7524258	PLUG, spark, 14mm, radio suppression, waterproof type.....	4	ea
06-8		G244-7526961	752-6961	TI-A25063 AC-1559185	7526961 7760405	SPRING, cable, w/CAPS, assy.....	8	ea
						SPRING, spark plug cable terminal connector.....	8	ea
<b>0607—INSTRUMENT PANEL</b>								
06-9		G244-7408115		SCI-10-34924	7408115	ACTUATOR, light switch contact, auxiliary.....	1	ea
06-12; 18-3		G742-7728854		AC-1501244 WO-118102	7728854	AMMETER, 24v, wtrprf, assy.....	1	ea
06-9					147485	BALL, S, grade A, ¼ in (light switch).....	1	ea
				AC-5939768 WO-118165		BODY, headlight beam indicator light.....	1	ea
06-12				AC-5939764 WO-118167		BODY, instrument cluster light.....	2	ea
		G244-7726808		WO-801460	7726808	BRACKET, circuit closure, assy (for "85" circuit on ignition switch assy)	1	ea
06-9				SCI-10-54717	7529359	BRACKET, contact, light switch.....	1	ea
06-9		G262-7414209		SCI-10-34885	7414209	BRACKET, contact, light switch (T).....	2	ea
06-12		G742-7372727	737-2727	AC-1580377 WO-119050	7372727	BRACKET, mounting, speedometer.....	1	ea
06-12	H1	H101-0426915	042-6915		426915	NUT, PLAIN, HEXAGON, S, cd or zn-pltd, No. 8 (0.164)-36NF-2	2	ea
06-12	H1	H001-7023591	013-1182		131182	WASHER, LOCK, S, cd or zn-fin, No. 8 (0.164).....	2	ea
06-12				AC-1580680	7529476	BRACKET, mounting, w/CLIP, assy (used on vehicles through serial No. 65042)	1	ea
06-12	H1	H101-0426915	042-6915		426915	NUT, PLAIN, HEXAGON, S, cd or zn-pltd, No. 8 (0.164)-36NF-2	2	ea
06-12	H1	H101-0221115	5305-022-1115		221115	SCREW, MACHINE, rd-hd, S, cd or zn-fin, No. 8- 36NF-2A x ¾	2	ea
06-12	H1	H001-7023591	013-1182		131182	WASHER, LOCK, S, cd or zn-fin, No. 8 (0.164).....	2	ea
06-12		G742-7762620		AC-1580679 WO-649932	7762620	BREAKER, circuit, wtrprf, 24 v, 15 amp, assy (used on vehicles through serial No. 65042)	1	ea
06-12	H1	H101-0426915	042-6915		426915	NUT, PLAIN, HEXAGON, S, cd or zn-pltd, No. 8- (0.164)-36NF-2	2	ea
06-12	H1	H101-0421894	5305-042-1894		421894	SCREW, MACHINE, rd-hd, S, cd or zn-fin, No. 8- 36NF-2A x ¾	2	ea
06-12	H1	H001-7023591	013-1182		131182	WASHER, LOCK, S, cd or zn-fin, No. 8 (0.164).....	2	ea
	H4	H004-0572999			572999	BUSHING, grommet adapting, wtrprf cable connector.....	2	ea
		G742-7539519	753-9519	AC-1507502 WO-118922	7539519	CASE, gage resistor, w/TERMINAL and RESISTOR, assy (used on vehicles through serial No. 17855)	3	ea

0607

(1)	(2)	(3)	(4)	(5)	(6)	(7)	(8)	(9)
ILLUSTRATION NO.	REFERENCE SYMBOLS	ORDNANCE STOCK NO.	FEDERAL STOCK NO.	MFR'S PART NO.	ORDNANCE PART NO.	DESCRIPTION	QUANTITY INCORPORATED IN UNIT	UNIT OF ISSUE
						<b>GROUP 06—ELECTRICAL SYSTEM—Continued</b>		
						<b>0607—INSTRUMENT PANEL—Continued</b>		
06-12				RC-481N1 AC-1501207 WO-119051	7529480	CLAMP, gage mounting (fuel gage (1); oil pressure gage (1); water temperature gage (1); and ammeter (1))	4	ea
06-12	H1	H101-0426915	042-6915		426915	NUT, PLAIN, HEXAGON, S, cd or zn-pltd, No. 8-(0.164)-36NF-2	8	ea
06-12	H1	H001-7023591	013-1182		131182	WASHER, LOCK, S, cd or zn-fin, No. 8 (0.164)	8	ea
06-12		G741-7526595		AC-1580891 WO-118112	7526595	CLIP, open, tension type. 0.812 OD, connector, hole for ¼ in screw (panel light 3 wire connector) (used on vehicles through serial No. 65042)	1	ea
				AC-1580553 WO-649753	7730977	CLUSTER, instrument, assy (used on vehicles through serial No. 65042)	1	ea
06-12		G740-7418835		AC-1582076 SW-502F WO-806363	7418835	CLUSTER, instrument, assy (used on vehicles after serial No. 65042)	1	ea
	H4	H004-0573000	350-9273		573000	CONNECTOR, assy (inside)	4	ea
	H4	H004-7760599			7760599	CONNECTOR, female, 14AWG cable terminal, assy	3	ea
		G244-7760598	776-0598	WO-800422	7760598	CONNECTOR, male, 14AWG cable terminal, assy	1	ea
06-9		G244-7408131		SCI-10-35243	7408131	CONTACT, auxiliary switch, small support, inner (supersedes CONTACT, 7372750)	1	ea
		G742-7372750		SCI-10-34908 WO-118940	7372750	CONTACT, auxiliary switch, small support (light switch) (superseded by CONTACT, 7408131)	1	ea
		G742-7539396		SCI-10-34921 WO-118941	7539396	CONTACT, light switch, auxiliary switch, outer (superseded by CONTACT, G244-7408130)	1	ea
06-9		G244-7408130		SCI-10-35242	7408130	CONTACT, light switch, auxiliary switch, outer (supersedes CONTACT, G742-7539396)	1	ea
		G742-7384389		GL-5939807 WO-118166	7384389	COVER, high beam light	1	ea
06-9				SCI-10-34959	7529355	COVER, light switch	1	ea
06-12		G742-7384392		GL-5939765 WO-118168 SHA-9805-20-00 WO-800393	7384392	COVER, panel light	2	ea
						FASTENER, instrument panel shakeproof (instrument cluster to instrument panel)	4	ea

150

06-12; 18-3		G742-7788852		AC-1517561 WO-119084 AC-1517270 WO-118103	7728852	GAGE, fuel, 24 v, waterproof, w/CLAMP and RESISTOR, assy	1	ea
06-12; 18-3		G742-7728853		AC-1507680 WO-119085 AC-1507491 WO-118104	7728853	GAGE, oil pressure, 24 v, waterproof, w/CLAMP and RESISTOR, assy	1	ea
06-12; 18-3		G742-7389567		AC-1512422 WO-119086	7389567	GAGE, water temperature, 24 v, waterproof, w/CLAMP and RESISTOR, assy (used on vehicles after serial No. 17855)	1	ea
		G742-7728855		AC-1512244 WO-118105	7728855	GAGE, water temperature, 24 v, waterproof, w/CLAMP and RESISTOR, assy (used on vehicles through serial No. 17855)	1	ea
06-9		G244-7716563		SCI-10-40450-28S	7716563	GASKET, flat (12 pin connector) (light switch)	1	ea
06-9		G244-7408134		SCI-10-34835	7408134	GASKET, light switch cover	2	ea
06-9		G742-7388352		SCI-10-40450-22	7388352	GASKET, No. 22 shell, electrical connector (6 pin connector) (light switch)	1	ea
		G244-7722235		WO-118880	7722235	GASKET, wtrprf, electrical connector, shielded No. 12 shell (filter receptacle) (used on vehicles through serial No. 20599)	2	ea
	H4	H004-0573002			573002	GROMMET, wtrprf cable connector, two No. 14AWG cables	1	ea
				WO-674849 ONB-SN1610 WO-674898	8673981 8677317	GUARD, instrument cluster (welding) NUT, spotweld No. 10 (0.190)-24AS-2B	1 3	ea ea
06-12		G741-7526600		AC-1580684 WO-118106	7526600	HARNES, instrument cluster, assy	1	ea
06-9				SCI-10-34882AY	7408324	HOUSING, light switch	1	ea
06-9	H1	H001-0132153	5305-013-2153		132153	SCREW, MACH, fil-hd, S, cd or zn-pltd, No. 10-32NF-2A x 2	5	ea
06-9		G244-7408359		SCI-10-34808	7408359	WASHER, plain, 0.203 ID x 0.296 OD x 0.051	5	ea
06-9				SCI-10-40822-15P		INSERT, waterproof electrical connector, No. 22 shell, five No. 12, and one No. 16 AWG contact holes (light switch)	1	ea
06-9				SCI-10-40828-51P	7716683	INSERT, waterproof electrical connector, No. 22 shell, twelve No. 12AWG contact holes (light switch)	1	ea
06-12	H4	H104-0190877	6240-019-0877		190877	LAMP, INCANDESCENT, 24-28 v, 23 amp, sgl-contact base, clear bulb, dble-tun-fil, 1 $\frac{7}{16}$ in long, 1000 hr	3	ea
		G742-7384388	738-4388	GL-5939750 WO-118115	7384388	LENS, instrument panel and high beam lights (red glass) (superseded by LENS, G260-7358621)	3	ea
06-12		G260-7358621			7358621	LENS, instrument panel and high beam lights (red glass) (supersedes LENS, G742-7384388)	3	ea

(1) ILLUSTRATION NO.	(2) REFER- ENCE SYMBOLS	(3) ORDNANCE STOCK NO.	(4) FEDERAL STOCK NO.	(5) MFR'S PART NO.	(6) ORDNANCE PART NO.	(7) DESCRIPTION	(8) QUANTITY INCOR- PORATED IN UNIT	(9) UNIT OF ISSUE
<b>GROUP 06—ELECTRICAL SYSTEM—Continued</b>								
<b>0607—INSTRUMENT PANEL—Continued</b>								
		G503-5381088		DR-1903433 WO-800452	5381088	LEVER, switch, w/WASHER, assy (ignition switch).....	1	ea
	H1	H001-5125831	5305-013-1963		131963	SCREW, MACHINE, fil-hd, S, cd or zn-fin, No. 8-32NC-2A x $\frac{3}{8}$	1	ea
	H1	H101-0453299	5310-045-3299		453299	WASHER, LOCK, S, cd or zn-fin, style No. 9, split helical ring 0.296 OD, No. 8, screw size (supersedes WASHER, 121841)	1	ea
	H1	H001-7025591	012-1841		121841	WASHER, LOCK, med, S, cd or zn-pltd, No. 8 (0.164) (superseded by WASHER, H101-0453299)	1	ea
06-9		G244-7408304		SCI-10-34807Y	7408304	LEVER, light switch.....	3	ea
06-9	H1	H001-5125851	5305-013-1970		131970	SCREW, MACHINE, fil-hd, S, cd or zn-fin, No. 8-32NC-2A x $\frac{1}{2}$	3	ea
06-9	H1	H101-0446130	044-6130		446130	WASHER, flat, S, cd or zn-pltd, $\frac{1}{64}$ ID, $\frac{13}{32}$ OD, 0.049 thk (light switch lever screw)	3	ea
06-12		G742-7760418	776-0418	GL-928562 WO-118113	7760418	LIGHT, head light beam indicator, 24 v, wtrprf, assy.....	1	ea
06-12	H1	H001-5147521			121749	SCREW, mach, rd-hd, S, cd or zn-pltd, No. 8 (0.164)-32NC-2 x $\frac{5}{16}$	2	ea
06-12	H1	H001-7025591	012-1841		121841	WASHER, LOCK, med, S, cd or zn-pltd, No. 8 (0.164)	2	ea
18-3		G742-7760412	776-0412	GL-928561 WO-119093 AC-928561 WO-118111	7760412	LIGHT, instrument cluster, 24-28 v, wtrprf, assy.....	2	ea
06-12	H1	H001-5147521			121749	SCREW, mach, rd-hd, S, cd or zn-pltd, No. 8 (0.164)-32NC-2 x $\frac{5}{16}$	4	ea
06-12	H1	H001-7025591	012-1841		121841	WASHER, LOCK, med, S, cd or zn-pltd, No. 8 (0.164)	4	ea
06-9		G244-7408093		SCI-10-34887	7408093	LOCK, light switch.....	1	ea
06-9	H1	H001-5146451	5305-013-2700		132700	SCREW, MACHINE, rd-hd, S, cd or zn-fin, No. 6 (0.138)-32NC-2A x $\frac{3}{16}$	1	ea
06-9	H1	H001-7025561	5310-013-1044		131044	WASHER, LOCK, S, cd or zn-fin, style No. 9, 0.253 OD, No. 6 (0.138) screw size	1	ea
06-9		G244-7408338		SCI-10-51124	7408338	WASHER, PLAIN, S, 0.156 ID, 0.438 OD, 0.049 thk	1	ea
		G740-7418147		WO-677277	7418147	PLATE, cover (water tube hole (2); wire harness hole (1) (used on vehicles after serial No. 34151) and (power receptacle (1) (used on vehicles after serial No. 47771)	4	ea

	H1	H101-0161857	5305-016-1857		171857	SCREW, TAPPING, THREAD FORMING, pan-hd, S, cd or zn-fin, No. 8-15 x $\frac{3}{8}$	8	ea
		G740-7412641		WO-804639	7412641	PLATE, ignition switch (used on vehicles after serial No. 26272)	1	ea
				AC-1581283 WO-118098		PLATE, mounting, instrument panel, assy (used on vehicles through serial No. 65042)	1	ea
06-12				AC-1582077 SW-418100 WO-119367 WO-806674		PLATE, mounting, instrument panel, assy (used on vehicles after serial No. 65042)	1	ea
		G742-7539516		AC-1507429 WO-118920	7539516	PLUG, button, $\frac{3}{4}$ in (instrument panel primer pump hole) (used on vehicles after serial No. 47771)	1	ea
06-9		G244-7408120		SCI-10-34919 WO-118942	7408120	RESISTOR, gage, 95 ohm (instrument cluster) (used on vehicles through serial No. 17855)	3	ea
				SCI-10-34690	7529269	RESISTOR, 30 ohm, 5 watt (light switch)	1	ea
06-9				SCI-10-34884		RING, RETAINING, auxiliary light switch actuator spring	1	ea
06-9	H1	H001-5146451	5305-013-2700		132700	ROTOR, main light switch	1	ea
06-9	H1	H001-7025561	5310-013-1044		131044	SCREW, MACHINE, rd-hd, S, cd or zn-fin, No. 6 (0.138)-32NC-2A x $\frac{1}{16}$	1	ea
06-9		G244-7408338		SCI-10-51124	7408338	WASHER, LOCK, S, cd or zn-fin, style No. 9, 0.253 OD, No. 6 (0.138) screw size	1	ea
		G244-7408118		SCI-10-54701 WO-118943	7408118	WASHER, plain, S, 0.156 ID, 0.438 OD, 0.049 thk	3	ea
				SCI-10-77686	8393502	SEAL, oil, 0.375 ID, 0.752 OD, 0.469 thk (light switch rotor shaft) (superseded by SEAL, 8393502)	3	ea
06-9		G244-7408098		SCI-10-34888	7408098	SEAL, oil (light switch rotor shaft) (supersedes SEAL, G244-7408118)	1	ea
06-9		G244-7408102		SCI-10-34883	7408102	SHAFT, light switch, auxiliary switch positioning	1	ea
06-9		G244-7408095		SCI-10-34886	7408095	SHAFT, light switch, main switch rotor	1	ea
06-9				SCI-10-40452-28	7716598	SHAFT, light switch, switch lock	1	ea
	H4	H004-0573008	350-9279		573008	SHELL, electrical connector (12 pin) (light switch)	1	ea
06-9				SCI-10-40452-22	7716697	SHELL, female connector (mates w/SHELL, H004-0573009)	1	ea
06-9	H1	H101-0131966	5305-013-1966		131966	SHELL, waterproof electrical connector receptacle No. 22 shell (light switch)	1	ea
06-9	H1	H101-0131095	5310-013-1095		131095	SCREW, MACH, fil-hd, S, cd or zn-pltd, No. 8-32NC-2 x $\frac{1}{16}$ (light switch)	8	ea
06-12		G741-7526596		AC-1580836 WO-118110	7526596	WASHER, LOCK, S, cd or zn-fin, style No. 9, 0.310 OD, No. 8 screw size (light switch electrical connector)	8	ea
06-12	H4	H004-0573126			573126	SHIELD, instrument panel light	2	ea
						SLEEVE, dble female connector, w/SPRING and CONNECTOR, assy	1	ea



0607

(1)	(2)	(3)	(4)	(5)	(6)	(7)	(8)	(9)
ILLUSTRATION NO.	REFERENCE SYMBOLS	ORDNANCE STOCK NO.	FEDERAL STOCK NO.	MFR'S PART NO.	ORDNANCE PART NO.	DESCRIPTION	QUANTITY INCORPORATED IN UNIT	UNIT OF ISSUE
<b>GROUP 06—ELECTRICAL SYSTEM—Continued</b>								
<b>0607—INSTRUMENT PANEL—Continued</b>								
06-9		G244-7408108		SCI-10-34907	7408108	SPRING, coil, auxiliary switch actuator (light switch)	1	ea
06-9		G244-7408100		SCI-10-28807	7408100	SPRING, coil, positioning shaft locating ball, 0.203 OD x 0.400 x 0.032 (light switch)	1	ea
06-9		G244-7408117		SCI-10-51120 WO-118944	7408117	SPRING, coil, 0.188 OD x 0.531 x 0.020 (light switch contact bracket)	3	ea
		G742-7539517		AC-1507430 WO-118921	7539517	SPRING, contact, gage resistor (used on vehicles through serial No. 17855)	3	ea
06-9		G244-7408094		SCI-10-54716	7408094	SPRING, tension, LH helix 0.850 ID, 0.062 diam (light switch)	1	ea
	H1	H101-0420505	042-0505	WO-674847	8677316	STRAP, support, dash to instrument cluster guard	1	ea
					420505	BOLT, integral, int-tooth-lockwasher, rd-hd, sltd header-pt, S, cd or zn-pltd, No. 10 (0.190) 24NC-2 x $\frac{7}{16}$	4	ea
06-12		G741-7526594		AC-1580890 WO-118107	7526594	STUD, mounting, instrument panel wiring harness	1	ea
06-12	H2	H002-7526590			7526590	STUD, quick fastener, oval-hd, S, cd or zn-pltd, $\frac{1}{4}$ diam	4	ea
06-9				SCI-10-34890	7529350	SUPPORT, light switch, assy	1	ea
06-9		G244-7408305		SCI-10-34961	7408305	SCREW, light switch (support to cover)	2	ea
06-9	H1	H101-0131095	5310-013-1095		131095	WASHER, LOCK, S, cd or zn-fin, style No. 9, 0.310 OD, No. 8 screw size	2	ea
06-9				SCI-10-34911	7529352	SUPPORT, light switch, small	1	ea
18-3		G742-7760409		DR-1997856 WO-800451	7760409	SWITCH, ignition, assy w/CABLES	1	ea
		G742-7372738	737-2738	DR-1913360 WO-118163	7372738	NUT, hex, thin, S, cd or zn-pltd, $\frac{1}{2}$ -20NF-2	1	ea
	H1	H001-7021861	5305-013-8549		138549	WASHER, LOCK, S, cd or zn-fin, style No. 2, 0.867 OD, $\frac{1}{2}$ in bolt size	1	ea
06-9		G742-7729684		SCI-10-34880 WO-649930	7729684	SWITCH, light, 24 v, wtrprf, assy (used on vehicles through serial No. 35387)	1	ea
		G742-7355600		SCI-10-76555-1 WO-805400	7355600	SWITCH, light, 24 v, wtrprf, assy (used on vehicles after serial No. 35387 and through serial No. 66735)	1	ea
06-10		G749-7368702		UCI-160306 WO-806450	7368702	SWITCH, light, 24 v, wtrprf, assy (used on vehicles after serial No. 66735)	1	ea
	H1	H101-0424506	042-4506		424506	SCREW, int-teeth lockwasher, rd-hd, S, cd or zn-pltd, No. 10 (0.190)-32NF-2 x $1\frac{1}{2}$	4	ea

154

06-9		G244-7408360		SCI-10-54723 WO-118945	7408360	WASHER, felt, 0.375 ID, 0.750 OD, 0.063 thk (light switch rotor shaft)	3	ea	
06-12	H1	H101-0502203			502203	WASHER, FLAT, S, cd or zn-pltd, 0.320 ID, 0.582 OD, 0.0329 thk (mounting, harness, inner) (supersedes WASHER, G741-7526592)	1	ea	
		G741-7526592		AC-1580892 WO-118108	7526592	WASHER, FLAT, S, cd-pltd, 0.322 ID, 0.582 OD, 0.0329 thk (mounting, harness, inner) (superseded by WASHER, H101-0502203)	1	ea	
06-9		G244-7408358		SCI-10-29974	7408358	WASHER, plain, light switch (auxiliary actuator spring)	1	ea	
06-9		G244-7408323		SCI-10-54703	7408323	WASHER, plain, light switch (rotor shaft oil seal)	3	ea	
		G741-7526593		AC-1516860 WO-118109	7526593	WASHER, plain, S, cd-pltd, 0.203 ID, 1/2 OD (mounting, harness, outer) (superseded by WASHER, H101-0446152)	1	ea	
06-12	H1	H101-0446152			446152	WASHER, plain, S, cd-pltd, 0.203 ID, 1/2 OD (supersedes WASHER, G741-7526593)	1	ea	
06-12		G742-7526591	752-6591	AC-1580678 WO-118100	7526591	WASHER, retainer, instrument panel mounting stud	4	ea	
<b>0608 - MISCELLANEOUS SWITCHES AND CIRCUIT BREAKERS</b>									
		G742-7760416		SPT-C9115-2-15 WO-649931	7760416	BREAKER, circuit, wtrprf, automotive reset type, 24 v, 15 amp, assy (ignition switch (1); horn and generator regulator (1); and head light switch (1)) (on cowl mounted battery box) (used on vehicles through serial No. 65927)	3	ea	
	H1	H101-0228311	022-8311		228311	BOLT, integral lock washer, rd-hd, S, cd or zn-pltd, No. 6 (0.138)-32NC-2 x 5/8	6	ea	
				WO-804784		CABLE, stop light switch, assy	1	ea	
06-11		G742-7728788		DM-6579 WO-649726	7728788	SWITCH, dimmer, 24 v, wtrprf, w/CABLES, assy	1	ea	
	H1	H101-0455146		WO-673596	455146	SCREW, w/int-tooth-lock washer, truss hd, sltd, S, cd or zn-pltd, 1/4-20NC-2 x 1/2	2	ea	
		G742-7388813		FS-7332 WO-804783	7388813	SWITCH, stop light, hyd, 24 v, wtrprf, assy (supersedes SWITCH, G742-7760414) (used on vehicles after serial No. 29886)	1	ea	
06-11		G742-7760414		FS-401	7760414	SWITCH, stop light, hyd, 24 v, wtrprf, w/CABLES, assy (superseded by SWITCH, G742-7388813) (used on vehicles through serial No. 29886)	1	ea	
		G740-7416521		WO-805574	7416521	SWITCH, stop light, hyd, 24 v, wtrprf, w/CABLES, assy (use for service only)	1	ea	
				WO-804784		Composed of:			
					7388813	1 CABLE			
						1 SWITCH			

0609.1

156

(1) ILLUSTRATION NO.	(2) REFER- ENCE SYMBOLS	(3) ORDNANCE STOCK NO.	(4) FEDERAL STOCK NO.	(5) MFR'S PART NO.	(6) ORDNANCE PART NO.	(7) DESCRIPTION	(8) QUANTITY INCOR- PORATED IN UNIT	(9) UNIT OF ISSUE
<b>GROUP 06—ELECTRICAL SYSTEM—Continued</b>								
<b>0609.1—HEAD, TAIL, MARKER LIGHTS, AND LAMP-UNITS</b>								
06-14		G260-7765214		AL-CB-22084 WO-118456	7765214	BODY, blackout headlight, assy.....	1	ea
06-14, 15, 16, 17	H4	H004-0572999			572999	BUSHING, terminal, grommet adapting, wtrprf cable connector, No. 14AWG cable (headlight, left (3); right (3); headlight cable, left (3); right (3); blackout headlight (2); blackout headlight cable (3); blackout marker light (2); taillight, left (3); right (2); right blackout marker light to headlight cable (2))	26	ea
06-13, 14, 15, 16, 17	H5	H005-0812364			812364	CABLE, automotive, low tension, ins (plastic, natural or syn-ru) wtrprf, sgle cond, stranded, shielded, cond size AWG No. 14, OD, 0.160 in (black out marker light)	‡	ft
06-11, 14				AL-CB-17891 WO-118459		CABLE, extension, assy.....	1	ea
06-15				AL-CB-18499 WO-118467		CABLE, left, headlight, assy.....	1	ea
06-15				AL-CB-18500 WO-118468		CABLE, right, headlight, assy.....	1	ea
		G251-7526028		AL-CB-17371 WO-118447	7526028	CABLE, left taillight, w/CONNECTOR, assy..... Composed of:	1	ea
					812364	‡ CABLE		
					7526000	3 CONTACT		
					7526002	1 GROMMET		
					7526022	1 GROMMET		
					7524649	3 MARKER		
					7526003	1 PLATE		
					7525999	1 PLATE		
					135974	2 RIVET		
					7525998	1 SLEEVE		
					7526023	1 SOCKET		
					7526027	2 SPRING		
					7526001	1 SPRING		
					7729798	2 TERMINAL		
					572929	3 TERMINAL		
					7526026	2 WASHER		
					7526289	1 WASHER		
06-16, 17	H1	H001-5147531	012-1832		121832	BOLT, mach, S, rd-hd, sldd, No. 8-32NC-2 x 3/8.....	7	ea

		G251-7526005		WO-118454	7526005	CABLE, right taillight, w/CONNECTOR, assy	1	ea
					812364	Composed of:		
					7526000	‡ CABLE		
					7526002	2 CONTACT		
					7526004	1 GROMMET		
					7524649	1 GROMMET		
					7526003	2 MARKER		
					7525999	1 PLATE		
					135974	2 PLATE		
					7525998	2 RIVET		
					7526001	2 SLEEVE		
					572929	2 SPRING		
					7729798	2 TERMINAL		
					7526289	2 TERMINAL		
					121832	2 WASHER		
06-16	H1	H001-5147531	012-1832			BOLT, MACHINE, S, rd-hd, sltd, cd or zn-pltd, No. 8 32NC-2 x $\frac{3}{8}$	14	ea
		G244-7760598	776-0598	WO-800422	7760598	CONNECTOR, elec cable, wtrprf, male, No. 14 AWG cable, assy (blackout marker light (2); headlight cable, left (3); right (3); blackout headlight (2); blackout headlight cable (1); taillight, left (3); right (2))	16	ea
					572999	Composed of:		
					573005	1 BUSHING		
					573007	1 GROMMET		
					572929	1 SHELL		
					7729796	1 TERMINAL		
06-13		G244-7729796	2510-772-9796	HAC-21325 WO-118155	7729796	CONNECTOR, lamp, w/CABLE, assy (blackout marker light)	2	ea
06-14, 15	H4	H004-0573000	350-9273		573000	CONNECTOR, wtrprf cable (inside), assy (blackout head light cable, left (3); right (3); right blackout marker light to right headlight cable (1) blackout headlight cable (2))	9	ea
06-16				GL-5938368	7526000	CONTACT, cable, style No. 2 (blackout tail and stop light, left (3); right (2))	5	ea
06-14		G742-7525940	752-5940	AL-CB-22078 WO-118460	7525940	DOOR, blackout headlight, assy	1	ea
06-14		G251-7525939			7525939	RING, retn, treated, S, wire, $\frac{3}{16}$ diam stk, $\frac{1}{8}$ opng	3	ea
06-14		G251-7525938			7525938	SCREW, sp, fil-hd, S, No. 8 (0.164)-32NC x $\frac{3}{8}$	3	ea
06-13		G244-7729791		HAC-21208 WO-118153	7729791	DOOR, blackout marker light, w/LENS, assy	2	ea
06-13	H1	H101-0134225	5305-013-4225		134225	SCREW, MACH, oval-hd, S, phos-fin, No. 8 (0.164)- 32NC-2A x $\frac{1}{2}$	4	ea

0609.1

158

(1) ILLUSTRATION NO.	(2) REFERENCE SYMBOLS	(3) ORDNANCE STOCK NO.	(4) FEDERAL STOCK NO.	(5) MFR'S PART NO.	(6) ORDNANCE PART NO.	(7) DESCRIPTION	(8) QUANTITY INCORPORATED IN UNIT	(9) UNIT OF ISSUE
<b>GROUP 06—ELECTRICAL SYSTEM—Continued</b>								
<b>0609.1—HEAD, TAIL, MARKER LIGHTS, AND LAMP-UNITS—Continued</b>								
06-16	H4	H004-7526020		WO-118452	7526020	DOOR, blackout and service, tail and stop light, w/SCREWS, assy (left) Composed of:	1	ea
					7526019	1 DOOR		
					7526015	1 FILTER		
					7526009	1 GASKET		
					7526012	1 GASKET		
					7526014	1 GASKET		
					7526013	1 LENS		
					7526021	1 LENS		
					7526008	1 PLATE		
					7526016	1 PLATE		
					7320642	6 RING		
					7375694	6 SCREW		
		G258-7729790			7729790	DOOR, blackout marker light, w/o LENS, assy	2	ea
				GL-5939696	7526019	DOOR, blackout tail and stop light, left	1	ea
				GL-5939715	7526017	DOOR, blackout tail and stop light, right	1	ea
06-17	H4	H004-7526018		WO-118455	7526018	DOOR, blackout tail and stop light, w/SCREW, assy (right) Composed of:	1	ea
					7526017	1 DOOR		
					7526010	1 FILTER		
					7526015	1 FILTER		
					7526009	1 GASKET		
					7526012	1 GASKET		
					7526014	1 GASKET		
					7526013	1 LENS		
					7526011	1 LENS		
					7526016	1 PLATE		
					7526008	1 PLATE		
					7320642	6 RING		
					7375694	6 SCREW		
06-15		G742-7525936	752-5936	WO-118472	7525936	DOOR, service headlight, assy	2	ea
		G244-7729788	772-9788		7729788	FILTER, blackout marker light door	2	ea
					7526010	FILTER, blackout taillight door (amber)	1	ea

06-13		G244-7729793 G244-7729786 G244-7729787	772-9793 772-9786 772-9787	GL-5939713 WO-118160	7526015 7729793 7729786 7729787	FILTER, blackout taillight lens.....	2	ea
				GL-5935713 GL-5939700 GL-5939697	7526009 7526014 7526012	GASKET, blackout marker light, door (left and right).....	2	ea
				AL-CB18509 WO-118925	7729786 7729787	GASKET, blackout marker light door filter.....	2	ea
06-15		G740-7375024		AL-CB18509 WO-118925	7526009 7526014	GASKET, blackout marker light door lens.....	2	ea
06-16, 17	H4	H004-7320658 G749-7526002		AL-CB17393 WO-118451	7526012 7375024	GASKET, blackout taillight, door, filter.....	2	ea
						GASKET, blackout taillight, door, lower lens.....	2	ea
						GASKET, blackout taillight, door, upper lens.....	2	ea
06-16, 17		G251-7526007		WO-118448	7375024	GASKET, service headlight door.....	1	ea
06-16				CC-1273357 IHC-103305 GL-5939710 IL-5939710	7526002	GASKET, taillight door, ru, 0.135 diam.....	2	ea
06-13	H2	H002-0502852		HAC-21302 WO-118156	502852	GROMMET, left and right taillight socket and wiring, assy.....	2	ea
06-17				GL-5939719 IL-5939719 IHC-103299R1	7526004	GROMMET, left and right taillight socket, w/EYELET, assy.....	8	ea
06-14, 15		G742-7525365		AL-CB-17499 WO-118923	7526022	GROMMET, left taillight socket and wiring, assy.....	1	ea
06-14, 15, 16, 17	H4	H004-0573005			573005	GROMMET, plain, ru, $\frac{3}{16}$ in diam, $\frac{5}{16}$ diam x $\frac{1}{16}$ in wide mounting (blackout light marker)	4	ea
06-13				HAC-21226 WO-118154	7729792	GROMMET, right taillight socket and wiring, assy.....	1	ea
06-15				AL-CB18510 WO-118464		GROMMET, split, 3-hole, ru, 0.937 diam, mounting groove $\frac{17}{32}$ wide (headlight (2); blackout headlight (1))	3	ea
06-16				AL-CB17365 WO-118446		GROMMET, wtrprf cable connector, No. 14AWG cable (0.160 diam) (headlight, left (3); right (3); headlight cable, left (3), right (3); blackout marker light (2); taillight, left (3), right (2); blackout headlight (2); blackout headlight cable (3))	24	ea
06-17				AL-CB17364 WO-118453	7529242	HOUSING, blackout marker light.....	2	ea
06-16	H4	H104-0446914		MZ-1683	446914	HOUSING, headlight, assy.....	2	ea
06-13, 16, 17	H4	H104-0190877	6240-019-0877		190877	HOUSING, left taillight, assy.....	1	ea
						HOUSING, right taillight, assy.....	1	ea
						LAMP, elec, incand, min, 24-28 v, sgle-tun-fil, No. 1683, 32 cp (sgle-contact, bayonet-base)	1	ea
						LAMP, incandescent, 24-28 v, 23 amp, sgle contact base, clear bulb, dble tun-fil, $1\frac{1}{16}$ in long, 1000 hr (blackout marker light (2); taillight, left (2), right (2))	6	ea

0609.1

160

(1) ILLUSTRATION NO.	(2) REFER- ENCE SYMBOLS	(3) ORDNANCE STOCK NO.	(4) FEDERAL STOCK NO.	(5) MFR'S PART NO.	(6) ORDNANCE PART NO.	(7) DESCRIPTION	(8) QUANTITY INCOR- PORATED IN UNIT	(9) UNIT OF ISSUE
<b>GROUP 06—ELECTRICAL SYSTEM—Continued</b>								
<b>0609.1—HEAD, TAIL, MARKER LIGHTS, AND LAMP-UNITS—Continued</b>								
06-14	H4	H104-0451989		AL-CB22081 WO-118457	451989	LAMP-UNIT, sealed beam blackout, includes wiring waterseal, 24 v, 4½ in driving light, w/CABLE and CONNECTOR, assy	1	ea
	H4	H104-0451988		WO-118466	451988	LAMP-UNIT, sealed beam, head light, includes wiring, waterseal plastic lens, wtrprf, 24 v, 7 in dble-tun-fl, 50-50 cp, w/CABLES, assy (used on vehicles through serial No. 53331)	2	ea
06-15		G740-7418343		GE-4860 WO-119088	7418343	LAMP-UNIT, sealed, glass lens, waterprf, 24-28 v, w/CABLES, assy (used on vehicles after serial No. 53331)	2	ea
		G244-7729789	772-9789		7729789	LENS, blackout marker light door	2	ea
				GL-5939701	7526013	LENS, blackout taillight door, lower	2	ea
				GL-5939716	7526011	LENS, blackout taillight door, upper	1	ea
				GL-5939695	7526021	LENS, tail and stop light door, upper (red)	1	ea
06-13; 18-1		G244-7723899	772-3899	HAC-21780 WO-649692	7723899	LIGHT, blackout marker, assy (left and right)	2	ea
06-13	H1	H001-4167561			120368	NUT, PLAIN, HEXAGON, lt, s-fin, S, cd or zn-pltd, ⅝-24NF-2	2	ea
06-13	H1	H001-7017651	5310-013-8485		138485	WASHER, LOCK, S, cd or zn-fin, style No. 1, 0.588 OD, ⅝ bolt size	2	ea
06-17; 18-2	H4	H004-7760506		IL-510204 WO-802432	7760506	LIGHT, blackout, tail and stop, 24-28 v, right, assy	1	ea
	H1	H101-9409110			9409110	BOLT, w/spring lock WASHER, hex-hd, S, cd or zn-pltd, ⅜-16NC-2A x ⅝	4	ea
	H4	H004-7760505	776-0505	GL-925875 WO-118924	7760505	LIGHT, head, blackout, sealed beam, wtrprf, 24-28 v, w/o CABLES, assy	1	ea
06-15; 18-3	H4	H004-7760505		AL-2-15-8-49 WO-802428	7760505	LIGHT, head, blackout, shielded, wtrprf, 24-28 v, w/CABLES, assy	1	ea
06-14	H1	H001-4135821	013-4566	AL-CB22086	134566	NUT, PLAIN, HEXAGON, S, cd or zn-pltd, ⅜-16NC-2	1	ea
06-14 18-1	H1	H001-7025741	012-0382	AL-CB22085 AL-2-15-3-50 WO-802429	120382 8673513	WASHER, LOCK, med (reg) S, cd or zn-pltd, ⅜ in LIGHT, head, left, 24 v, wtrprf, w/CABLES, assy	1 1	ea ea

18-1		G741-7760504	6220-776-0504	AL-2-15-4-50 WO-802430	7760504	LIGHT, head, right, 24 v, wtrprf, w/CABLES, assy.....	1	ea
	H1	H101-0420505	042-0505		420505	BOLT, INTEGRAL, LOCKWASHER, int-tooth type, rd-hd, sltd, S, cd or zn-fin, header-pt, No. 10-24NC- 2 x 1/16 (head light to grille, left (8), right (8))	16	ea
06-15		G742-7760503	776-0503	GL-925876 WO-118927	7760503	LIGHT, head, service, 24 v, wtrprf, w/o CABLES, assy.	2	ea
06-16; 18-2	H4	H004-7760507		IL-510205 WO-802431	7760507	LIGHT, tail and stop, blackout and service, 24-28 v, left, assy	1	ea
06-13, 14, 15, 16, 17		G252-7524649		WO-801692	7524649	MARKER, light, blackout.....	5	ea
06-15				AL-CB17811 WO-118465		MOUNTING, sealed beam unit, headlight, assy.....	2	ea
06-13		G740-7375023		WO-800378	7375023	PAD, mounting, blackout marker light (ru).....	2	ea
		G740-7375022		WO-801860	7375022	PAD, mounting, headlight (ru).....	2	ea
06-16, 17				GL-5939709	7526003	PLATE, baffle (blackout tail and stop, left (1), right (1)).....	2	ea
				GL-5939703	7526016	PLATE, clinch, blackout taillight door, lower lens.....	2	ea
				GL-5939730	7526008	PLATE, clinch, blackout taillight door, upper lens.....	2	ea
06-16, 17				GL-5939708	7525999	PLATE, socket (blackout tail and stop light, left (1), right (2))	3	ea
06-13		G244-7729802	772-9802		7729802	PLUG, blackout marker light cable hole.....	2	ea
06-15		G506-7538582		WO-118469	7538582	RING, return, service headlight lamp-unit (left and right)	2	ea
06-16, 17		G251-7320642			7320642	RING, screw return, S, 0.047 stk (blackout tail light door)	12	ea
06-15				AL-CB17814 WO-118470		RIVET, headlight mounting unit return spring.....	4	ea
06-16, 17		G744-7375694			7375694	SCREW, mach, rd-hd, S, No. 10-24NC x 1 1/2 in (black- out taillight door)	12	ea
06-15	H1	H101-0454783			454783	SCREW, mach, w/int-tooth lockwasher, cross-recess, pan-hd, header-pt, S, cd or zn-pltd, No. 10-24 x 1/2 (headlight to grille, left (8), right (8))	16	ea
06-15		G506-7538146		AL-CB9944 WO-118471	7538146	SCREW, S, cd-pltd, 1/4-28NF-3 x 1 3/16 (focusing, service headlight lamp-unit)	4	ea
06-13		G244-7729797	772-9797	HAC-21216F1 WO-118157	7729797	SCREW, shoulder, oval-hd, sltd, S, cd or zn-pltd, No. 6-32NC-2 x 1 3/32 (blackout marker light)	4	ea
		G262-7320688		GL-5936219	7320688	WASHER, plain, S, zn-pltd, 0.220 ID, 0.4062 OD, 0.020 thk	4	ea
06-14, 15	H4	H004-0573010	350-9282		573010	SHELL, male, connector, 1-cable (2 wire) (mates w/SHELL, H004-0573007) (headlight cable, left (3), right (3); left blackout headlight cable (2); right black- out marker light cable to headlight cable (1))	9	ea



0609.1

(1) ILLUSTRATION NO.	(2) REFERENCE SYMBOLS	(3) ORDNANCE STOCK NO.	(4) FEDERAL STOCK NO.	(5) MFR'S PART NO.	(6) ORDNANCE PART NO.	(7) DESCRIPTION	(8) QUANTITY INCORPORATED IN UNIT	(9) UNIT OF ISSUE
<b>GROUP 06—ELECTRICAL SYSTEM—Continued</b>								
<b>0609.1—HEAD, TAIL, MARKER LIGHTS, AND LAMP-UNITS—Continued</b>								
06-14, 15 16, 17	H4	H004-0573007	350-9279		573007	SHELL, wtrprf cable connector, female (mates w/SHELL, 573010) (blackout marker light (2), taillight, left (3), right (2))	7	ea
06-16, 17				CC-1273972 GL-923121	7525998	SLEEVE, taillight socket (left (1), right (2))	3	ea
06-16		G742-7526023			7526023	SOCKET, w/PLATE, assy (left taillight)	1	ea
					7526025 6210568 7729798	Composed of: 1 PLATE 1 SOCKET 1 TERMINAL		
06-16		G067-0905540			7526027	SPRING, compression, music wire, $\frac{1}{32}$ diam, $\frac{3}{64}$ OD, $3\frac{1}{2}$ coils, $\frac{3}{8}$ free lgh (left taillight socket and wiring assy)	2	ea
06-15		G744-7712833		AL-CB18506 WO-118926	7712833	SPRING, retaining, service headlight door gasket	1	ea
06-14		G742-7525937		AL-CB258 WO-642233	7525937	SPRING, retn, blackout headlight sealed beam unit	3	ea
06-15		G505-0682452		AL-CB6134 WO-117116		SPRING, retn, headlight mounting unit	4	ea
06-16, 17		G260-7526001 G251-7729800			7526001 7729800	SPRING, taillight socket (left (1), right (2))	3	ea
					7729800	SPRING, wire, S, 0.340 diam, $\frac{5}{16}$ lg (blackout marker light)	2	ea
	H1	H101-7729803			7729803	STUD, FLANGE, S, cd or zn-pltd, $\frac{5}{16}$ -24NF-2 x $2\frac{1}{4}$ (blackout marker door)	2	ea
					7729801	SUPPORT, blackout marker light socket	2	ea
06-13					7353508	SUPPORT, blackout marker light socket, left and right	2	ea
06-13, 14, 15, 16, 17	H4	H004-0572929			572929	TERMINAL, cable, snap, male, type 1, 15 amp, No. 14AWG cable, 0.160 diam (blackout headlight (2); blackout headlight cable (3); blackout marker light (2) headlight, left (3), right (3); headlight cable, left (5), right (7); taillight left (3), right (2))	30	ea
06-17					7729798	TERMINAL, ground, br, 0.190 diam eyelet, 0.136 diam, rivet hole (taillight, left (1), right (2))	3	ea
06-17					135974	RIVET, oval-hd, tubular, br, ni-pltd, $\frac{1}{8}$ x $\frac{5}{32}$ , $\frac{1}{32}$ diam	6	ea

162

06-14, 15	H4	H004-7056708			7056708	TERMINAL, waterseal, type No. 1, No. 10 screw, No. 12 and No. 14 multi-conductor cable, cap, cd-pltd (headlight cable, left (1); right (1); blackout headlight (1))	3	ea	
06-16, 17		G260-7526289			7526289	WASHER (taillight socket, left (1), right (2))	3	ea	
06-14		G749-5294507		AL-CB114221 WO-118461	5294507	WASHER, bearing, blackout marker light	1	ea	
06-16		G251-7526026			7526026	WASHER, socket plate mtg (taillight, left)	2	ea	
06-13		G251-7729799			7729799	WASHER, 1/4 ID, 0.355 OD, 1/16 thk (blackout marker light)	2	ea	
<b>0610-SENDING UNITS</b>									
	H6	H106-0105421			105421	ELBOW, pipe, reducing, 90 deg, MI, black, 1/4 x 1/8 (oil gage to cylinder block)	1	ea	
03-4		G740-7375146		ACK-DC167 WO-648927	7375146	GASKET, fuel level sending unit (cork)	1	ea	
	H6	H106-0137536	013-7536		137536	NIPPLE, PIPE, br, style No. 2, RH thread, 1/8-27NPT x 1 (oil gage to cyl block)	1	ea	
		G740-7375148		WO-801749	7375148	SUPPORT, oil gage sending unit w/BRACKET, assy	1	ea	
	H1	H001-4029501	012-0372		120372	NUT, PLAIN, SQUARE, reg, unfin, S, cd or zn-pltd, 1/4-20NC-2 (clamp to oil gage)	1	ea	
	H1	H001-5150151	5305-013-3043		133043	SCREW, mach, rd-hd, S, cd or zn-fin, 1/4-20NC-2 x 3/4 (superseded by SCREW, 120583)	1	ea	
	H1	H001-5150141	5305-012-0583		120583	SCREW, mach, rd-hd, S, cd or zn-fin, 1/4-20NC-2 x 5/8 (supersedes SCREW, 133043)	1	ea	
03-5		G740-7524909		AC-1517375 WO-800201	7524909	UNIT, sending, fuel gage	1	ea	
	H1	H001-5147541	5305-013-2756		132756	SCREW, MACH, rd-hd, S, cd or zn-pltd, No. 8 (0.164)-32NC-2 x 1/16 (superseded by SCREW, 132760)	5	ea	
03-5	H1	H001-5147551	5305-013-2760		132760	SCREW, mach, rd-hd, S, cd or zn-pltd, No. 8 (0.164)-32NC-2 x 1/2 (supersedes SCREW, 132756)	5	ea	
06-11		G742-7728856		AC-1507492 WO-800213	7728856	UNIT, sending, oil pressure gage	1	ea	
06-11		G742-7389566		AC-1512423 WO-804873 AC-1512245 WO-800212	7389566	UNIT, sending, water temperature gage	1	ea	
		G742-7539073	753-9073	WO-648997	7539073	WASHER, FINISHING, sp, cop, 0.166 ID x 0.3125 OD x 0.0625 thk (fuel tank gage to fuel tank) (superseded by WASHER, G740-7375147)	5	ea	
		G740-7375147	5310-737-5147	WO-807161	7375147	WASHER, FLAT, sealing, hard lead, 0.165 x 0.169 ID x 5/16 x 0.05 thk (fuel tank gage to fuel tank) (supersedes WASHER, G742-7539073)	5	ea	

0611

(1)	(2)	(3)	(4)	(5)	(6)	(7)	(8)	(9)
ILLUSTRATION NO.	REFERENCE SYMBOLS	ORDNANCE STOCK NO.	FEDERAL STOCK NO.	MFR'S PART NO.	ORDNANCE PART NO.	DESCRIPTION	QUANTITY INCORPORATED IN UNIT	UNIT OF ISSUE
						<b>GROUP 06—ELECTRICAL SYSTEM—Continued</b>		
						<b>0611—HORN</b>		
14-3		G740-7375150		RG-402130 WO-801717	7375150	ADAPTER, horn switch (welded).....	1	ea
	H1	G740-7348574 H001-5417601	012-0854	WO-664986	7348574	BRACKET, horn, assy.....	1	ea
	H1	H001-5418301	012-3435		120854	BOLT, MACHINE, hex-hd, S, cd or zn-pltd, ¼-20NC-3 x ⅝ (supersedes BOLT, 123435)	4	ea
	H1	H001-4167501	012-0375		123435	BOLT, MACHINE, hex-hd, S, cd or zn-pltd, ¼-28NF-3 x ⅝ (superseded by BOLT, 120854)	4	ea
	H1	H001-4167521	012-0367		120375	NUT, PLAIN, HEXAGON, lt, s-fin, S, cd or zn-pltd, ¼-20NC-2 (supersedes NUT, 120367)	4	ea
	H1	H001-7025681	012-0380		120367	NUT, PLAIN, HEXAGON, lt, s-fin, S, cd or zn-pltd, ¼-28NF-2 (superseded by NUT, 120375)	4	ea
	H4	H004-0572999			120380	WASHER, lock, med, S, cd or zn-pltd, ¼ in.....	4	ea
		G740-7375090		WO-800296	572999	BUSHING, terminal, grommet adapting, wtrprf cable connector, No. 14 AWG cable (horn switch)	2	ea
	H5	H005-0812364			7375090	BUTTON, horn (used on vehicles through serial No. 31337)	1	ea
					15-C-2165 -170	CABLE, automotive, low tension, ins (plastic, natural, syn-ru) wtrprf, sgle cord, stranded, shielded, cond size, No. 14 AWG, 0.160 OD (horn switch)	‡	ea
06-18; 14-3		G740-7412442		WO-804623	7412442	CAP, horn button (used on vehicles after serial No. 31337)	1	ea
	H4	H004-0573000	350-9273		573000	CONNECTOR, assy (inside) (horn switch).....	2	ea
	H4	H004-7760599			7760599	CONNECTOR, female, No. 14 AWG cable terminal, assy (horn switch)	2	ea
					572999	Composed of:		
					573000	1 BUSHING		
					573005	1 CONNECTOR		
					573010	1 GROMMET		
					572929	1 SHELL		
					8329688	1 TERMINAL		
14-3	H4	H004-0573005			573005	GASKET, switch.....	1	ea
		G742-7728341		AL-HX4004UT SPW-D2140A WO-802893	7728341	GROMMET, wtrprf cable connector, No. 14 AWG cable (0.160 diam) (horn switch)	2	ea
						HORN, elec, 24v, wtrprf, assy.....	1	ea

164

	H1	H001-5418341	012-3450		123450	BOLT, MACHINE, hex-hd, S, cd or zn-pltd, ¼-28NF-3 x ¾	2	ea
	H1	H001-7017621	012-1753		121753	WASHER, LOCK, S, cd or zn-finish, style No. 1, 0.494 OD, ¼ in bolt size	2	ea
				WO-802894	8673338	HORN, w/BRACKET, assy (24v, wtrprf) (optional w/HORN, 8673329)	1	ea
				WO-800907	8673329	HORN, w/BRACKET, assy (24v, wtrprf) (optional w/HORN, 8673338)	1	ea
		G752-7524649		WO-801692	7524649	MARKER, circuit (horn switch)	2	ea
06-18; 14-3				WO-801719	8677067	ROD, push, horn switch	1	ea
	H4	H004-0573010	350-9282		573010	SHELL, male, connector, 1 cable (2 wire) (mates w/SHELL, H004-0573007)	2	ea
06-11, 18; 14-3		G740-7375088		SRM-E8240A WO-800299	7375088	SWITCH, horn, w/CABLE, assy	1	ea
06-18	H1	H001-4057741			107827	NUT, jam, stamped, hex, lt, 9-notch, S, cd or zn-pltd, ¾-16NF	1	ea
	H5	H005-0875945			17-T-1745-60	TAPE, insulating, vinyl chloride acetate, black, width ¾ in, thkns 0.010 in (36 yd pr roll)	‡	ea
	H4	H004-0572929			572929	TERMINAL, wire, No. 14 AWG, (0.160 diam) (horn switch)	2	ea
14-3		G740-7412441		RG-029070 WO-804389	7412441	WASHER, retaining, horn switch push rod (used on vehicles after serial No. 31337)	1	ea
						<b>0612-BATTERIES, HANGERS, BOXES, AND CABLES</b>		
	H15	H015-0572553		WB-8675 WO-800699 USL-26819A WO-800193	572553	BATTERY, storage, lead-acid, charged, dry, No. 2 HN (automotive service, 12 v, 6 cell, 45 amp-hr rating, 10 <sup>3</sup> / <sub>16</sub> x 5 <sup>1</sup> / <sub>4</sub> x 8 <sup>15</sup> / <sub>16</sub> max)	2	ea
	H4	H004-0116300			501924	BOLT, btry term, sq-hd, S, ld-ctd, w/NUT, assy 5 <sup>5</sup> / <sub>16</sub> -18NC x 1 <sup>1</sup> / <sub>4</sub> (battery to ground cable (1); battery to battery cable (2); battery to starter cable (1)) Consists of:	4	ea
				WO-323397	8393107	BOLT, sq-hd, S, ld-pltd, 5 <sup>5</sup> / <sub>16</sub> -18NC x 1 <sup>1</sup> / <sub>4</sub> (cable clamp)	4	ea
	H4	H004-0345320	350-9104		503067	NUT, hex, S, ld-ctd, 5 <sup>5</sup> / <sub>16</sub> -18NC-2 (cable clamp)	4	ea
				WO-673496	8673990	BOTTOM, battery box (at cowl)	1	ea
	H1	H101-0161895	5305-016-1895		161895	SCREW, TAPPING, THREAD FORMING, pan hd, gimlet-pt, S, cd or zn-pltd, No. 10 (0.190)-12 x ½ (supersedes SCREW, 144811)	4	ea
	H1	H001-6211371	5305-014-4811		144811	SCREW, TAPPING, THREAD FORMING, pan-hd, gimlet-pt, S, cd or zn-pltd, No. 10 (0.190)-12 x ½ (superseded by SCREW, H101-0161895) (battery box bottom to hanger)	4	ea
				WO-673423		BOX, battery, assy (cowl) (used on vehicles after serial No. 65927)	1	ea

(1) ILLUSTRATION NO.	(2) REFERENCE SYMBOLS	(3) ORDNANCE STOCK NO.	(4) FEDERAL STOCK NO.	(5) MFR'S PART NO.	(6) ORDNANCE PART NO.	(7) DESCRIPTION	(8) QUANTITY INCORPORATED IN UNIT	(9) UNIT OF ISSUE
						<b>GROUP 06—ELECTRICAL SYSTEM—Continued</b>		
						<b>0612—BATTERIES, HANGERS, BOXES, AND CABLES—Continued</b>		
		G740-7375086		WO-674289	7375086	BOX, battery, assy (used on vehicles through serial No. 65927)	1	ea
				WO-800009		BOX, battery, insulating (welded)	1	ea
	H1	G740-7375087		WO-800005	7375087	BOX, battery, insulating, w/COVER, assy (under hood)	1	ea
		H001-4035571		WO-53963	503262	NUT, stop, elastic, hex, S, self-locking, cd-pltd, No. 10 (0.190)-24NC (supersedes NUT, WO-53794)	3	ea
				WO-53794		NUT, stop, elastic, No. 10 (0.190)-32NF (superseded by NUT, 503262)	3	ea
	H1	H001-5418231	5305-013-2830		132830	SCREW, MACH, rd-hd, S, cd or zn-pltd, No. 10 (0.190)-24NC-2A x 3/8 (supersedes SCREW, 132900)	3	ea
	H1	H001-5148831	5305-013-2900		132900	SCREW, MACH, rd-hd, S, cd or zn-pltd, No. 10 (0.190)-32NF-2 x 3/8 (superseded by SCREW, 132830)	3	ea
				WO-800006	8673496	BOX, battery, insulating w/o COVER, assy	1	ea
				WO-673416		BRACKET, battery box to dash	1	ea
	H1	H101-9409098		WO-673438	8677261	BRACKET, hanger, battery box	2	ea
					9409098	BOLT, assembled washer, hex-hd, split lock washer, header-pt, S, cd or zn-pltd, 5/16-18NC-2A x 7/8 (hanger brkts to inst pnl suppt and dash support)	8	ea
	H1	H001-0926132	010-4249		104249	RIVET, SOLID, fl-hd, S, 1/4 x 1/2 (hanger brackets to tray)	4	ea
		G758-8331378		WO-674791	8331378	BRACKET, mounting, battery receptacle (used on vehicles through serial No. 47771)	1	ea
	H1	H001-1938060	042-3467	WO-674792		BOLT, INTEGRAL LOCK WASHER, rd-hd, header-pt, S, cd or zn-pltd, No. 12 (0.216)-24NC-2 x 5/8 (mounting brkt to fender)	4	ea
	H1	H001-4135701	012-1743		121743	NUT, PLAIN, HEXAGON, screw, S, cd or zn-pltd, No 12 (0.216)-24NC-2	3	ea
				WO-673432	8673992	BRACKET, support, battery box to instrument panel, assy	1	ea
		G740-7697440	5305-769-7440	WO-673597	7697440	BOLT, INTEGRAL LOCK WASHER, hex-hd, S, cd or zn-pltd, 5/16-18NC-2 x 3/4 (superseded by BOLT, H101-0425388) (suppt brkt to inst pnl)	3	ea

	H1	H101-0425388			425388	BOLT, integral lock washer, hex-hd, S, cd or zn-pltd, $\frac{5}{16}$ -18NC-2 x $\frac{3}{4}$ (supersedes BOLT, G740-7697440) (suppt brkt to inst panel)	3	ea
	H5	H005-0812370			812370	CABLE, automotive, low tension, ins, wtrprf, sgle-cond, stranded, cond size No. 2 AWG, 0.610 OD (battery to battery cable, to ground cable to starter cables)	†	ea
06-11		G740-7418481	6140-741-8481	PC-5292509 WO-802251	7418481	CABLE, battery to battery, assy..... Composed of: ‡ CABLE 2 INSULATOR 2 MARKER 2 TERMINAL	1	ea
					812370 7056639 A311679C			
		G740-7697551	5340-769-7551	PC-5292376 WO-642822	7697551	CLAMP, loop type, closed, cd or zn-pltd, $\frac{5}{8}$ , hole for No. 10 screw (superseded by CLAMP, 120527)	1	ea
06-11	H4	H004-0327736			120527	CLAMP, loop type, closed, S, cd or zn-pltd, $\frac{5}{8}$ , hole for No. 10 screw (supersedes CLAMP, G740-7697551)	1	ea
	H1	H001-4135661	012-0361		120361	NUT, PLAIN, HEXAGON, S, cd or zn-pltd, No. 10 (0.190)-24NC-2	1	ea
	H1	H001-5148271	5305-012-0222		120222	SCREW, MACHINE, rd-hd, S, cd or zn-fin, No. 10-24NC-2A x $\frac{5}{8}$	1	ea
	H1	H001-7021681	5310-012-1801		121801	WASHER, LOCK, int-teeth, S, cd or zn-pltd, No. 10 (0.190), style No. 2 (supersedes WASHER, 120217)	1	ea
	H1	H001-7025621	5310-012-0217		120217	WASHER, LOCK, med, S, cd-pltd, No. 10, 0.194 ID, 0.327 OD (superseded by WASHER, 121801) (cable to fender splasher)	1	ea
06-11		G740-7418483		PC-5292511 WO-802253	7418483	CABLE, battery to ground, assy..... Composed of: ‡ CABLE 2 INSULATOR 2 MARKER 2 TERMINAL	1	ea
					812370 7056639 A311679C			
	H1	H001-5421241	012-0758		120758	BOLT, MACHINE, cap, hex-hd, S, cd or zn-pltd, $\frac{3}{8}$ -24NF-3 x $\frac{7}{8}$	1	ea
	H1	H001-4167601	012-0369		120369	NUT, PLAIN, HEXAGON, S, lt, s-fin, cd or zn-pltd, $\frac{3}{8}$ -24NF-2	1	ea
	H1	H001-7025741	5310-012-0382		120382	WASHER, LOCK, med, S, cd or zn-pltd, $\frac{3}{8}$ in.....	1	ea
	H1	H001-7124741	5310-017-8551		178551	WASHER, LOCK, S, cd or zn-pltd, style No. 7, 0.965 OD, $\frac{3}{8}$ in bolt size	1	ea
06-11		G740-7418482		PC-5292510 WO-802252	7418482	CABLE, battery to starter, assy..... Composed of: ‡ CABLE 2 INSULATOR 2 MARKER 2 TERMINAL	1	ea
					812370 7056639 A311679C			
				PC-5292376				

(1) ILLUSTRATION NO.	(2) REFER- ENCE SYMBOLS	(3) ORDNANCE STOCK NO.	(4) FEDERAL STOCK NO.	(5) MFR'S PART NO.	(6) ORDNANCE PART NO.	(7) DESCRIPTION	(8) QUANTITY INCOR- PORATED IN UNIT	(9) UNIT OF ISSUE
<b>GROUP 06—ELECTRICAL SYSTEM—Continued</b>								
<b>0612—BATTERIES, HANGERS, BOXES, AND CABLES</b>								
<b>—Continued</b>								
	H6	H006-0502911			502911	CLAMP, hose, S, cd or zn-pltd, 3/4 in (tube to battery box)	1	ea
		G740-7375085		WO-800010	8673978	COVER, box, battery, insulating, assy	1	ea
		H101-0455146		WO-673805	7375085	DOOR, cowl battery box, assy, complete	1	ea
	H1			WO-673596	455146	SCREW, w/internal-tooth lockwasher, truss-head, slotted, S, cd or zn-pltd, 1/4-20NC-1/2	2	ea
		G740-7348513		WO-673506	8677262	EXTENSION, battery tray drain tube	1	ea
				WO-800013	7348513	FRAME, hold-down, battery (under hood (1) and under cowl (1))	2	ea
		G740-7346940		WO-640193	7346940	BOLT, clamp, battery, 5/16-18NC-3 x 8 3/4	2	ea
		G740-7346939		WO-800020	7346939	BOLT, clamp, battery, 5/16-18NC-3 x 11 1/8	2	ea
	H1	H101-0142745	014-2745		142745	NUT, PLAIN, WING, lt, S, cd or zn-pltd, 5/16-18NC-2 (optional w/NUT, H101-0148313)	4	ea
	H1	H101-0148313	014-8313		148313	NUT, PLAIN, WING, S, cd or zn-pltd, 5/16-18NC-2 (optional w/NUT, H101-0142745)	4	ea
	H2	H102-0187954			187954	GROMMET, plain, ru, 1 ID, 1 3/8 diam x 1/16 wide mounting groove (battery cable through dash and battery insulating boxes)	6	ea
		G252-7056639	5970-705-6639	WO-801697	7056639	INSULATOR, plastic, 0.625 ID, 2.000 lg, 0.046, wall thkns (battery to ground cable (2); battery to battery cable (2); battery to starter (2))	6	ea
		G170-0271838		CCL-15797 WO-800796	A246044B	LATCH, ring (battery box)	2	ea
	H1	H001-0926027	010-5535		105535	RIVET, SOLID, fl-hd, S, 1/8 x 5/16	4	ea
		G200-7412573		WO-801694	A311679C	MARKER, conduit, al-alloy, 0.126 thk, 1/2 ID	6	ea
	H1	H101-0213549	021-3549		213549	NUT, PLAIN, HEXAGON, lt, thick, semi-fin, S, ld-ctd, 3/8-16NC-2 (battery post terminal)	4	ea
				WO-669904	8673999	NUT, WELD, 5/16-18NC (battery box support bracket to instrument panel)	7	ea
				WO-673786	8676964	PIN, CROSS, battery box lid stud	2	ea
				WO-806673		PLUG, button 1/8 in (battery box, radio receptacle cable) (used on vehicles after serial No. 47771)	1	ea
				WO-673688	8676962	SEAL, cowl battery box lid lock strap (ru)	2	ea
		G740-7346938		WO-800016	7346938	STRAP, battery box (fender to box (1) and under hood (1))	2	ea

H1	H001-5419141	012-2007		122007	BOLT, MACHINE, S, cd or zn-pltd, hex-hd, 5/16-18NC x 3/4 (supersedes BOLT 149535)	2	ea
				149535	BOLT, sq-hd, S, cd or zn-pltd, 5/16-18NC x 3/4 (superseded by BOLT, 122007)	2	ea
H1	H101-0142745	014-2745		142745	NUT, PLAIN, WING, lt, S, cd or zn-pltd, 5/16-18NC-2 (optional w/NUT, H101-0148313)	4	ea
H1	H101-0148313	014-8313		148313	NUT, PLAIN, WING, S, (formed) cd or zn-pltd, 5/16-18NC-2 (optional w/NUT, H101-0142745)	4	ea
	G503-7324833		WO-52725	7324833	WASHER, flat, sp, cd-pltd, 5/16 in	4	ea
H1	H001-7025711	012-0214		120214	WASHER, LOCK, med, S, cd or zn-pltd, 5/16 in	4	ea
	G740-7346943		WO-673787	8676963	STUD, wing type, rd-hd	2	ea
	G740-8328262		WO-800019	7346943	SUPPORT, battery, inner (under hood)	1	ea
			WO-119586	8328262	TERMINAL, battery, clamp type, ld-alloy, neg, w/5/16-18NC-2 BOLT and NUT for cable term (supersedes TERMINAL, H004-0507032) (used on vehicles after serial No. 62920)	2	ea
H4	H004-0507032			507032	TERMINAL, battery, clamp type, ld-alloy, neg, w/3/8-16NC-2 BOLT and NUT for cable terminal (superseded by TERMINAL, G740-8328262) (used on vehicles through serial No. 62920)	2	ea
	G740-8328263		WO-119585	8328263	TERMINAL, battery, clamp type, ld-alloy, pos, w/5/16-18NC-2 BOLT and NUT for cable term, assy (supersedes TERMINAL, H004-0507031) (used on vehicles after serial No. 60619)	2	ea
H4	H004-0507031			507031	TERMINAL, battery, clamp type, ld-alloy, pos, w/3/8-16NC-2 BOLT and NUT for cable terminal (superseded by TERMINAL, G740-8328263) (used on vehicles through serial No. 60619)	2	ea
			AL-301702	8677048	TERMINAL, battery post, negative (superseded by TERMINAL, PC-5295737) (used on vehicles through serial No. 62920)	2	ea
			WO-802250		TERMINAL, battery post, negative (supersedes TERMINAL 8677048) (used on vehicles after serial No. 62920)	2	ea
			PC-5295737	8677047	TERMINAL, battery post, positive (superseded by TERMINAL, PC-5295736) (used on vehicles through serial No. 60619)	2	ea
			WO-806625		TERMINAL, battery post, positive (supersedes TERMINAL 8677047) (used on vehicles after serial No. 60619)	2	ea
			AL-301701		TERMINAL, cable, solder, lug rd-end, cop, cd-pltd (battery to ground cable (2); battery to battery cable (2); battery to starter cable (2))	6	ea
			PC-5292615				
			WO-802249				
			PC-5295736				
			WO-806624				
			PC-5292376				
			WO-802635				
			WO-673503	8673989	TRAY, battery box, assy	1	ea
			WO-A4690	8393069	TUBE, drain, radio battery tray	1	ea
			WO-673687	8677265	WEATHERSTRIP, battery box lid	1	ea



0613.1

(1) ILLUSTRATION NO.	(2) REFERENCE SYMBOLS	(3) ORDNANCE STOCK NO.	(4) FEDERAL STOCK NO.	(5) MFR'S PART NO.	(6) ORDNANCE PART NO.	(7) DESCRIPTION	(8) QUANTITY INCORPORATED IN UNIT	(9) UNIT OF ISSUE
						<b>GROUP 06—ELECTRICAL SYSTEM—Continued</b>		
						<b>0613.1—CHASSIS WIRING</b>		
				SCI-10-36386-28 WO-118506		BRACKET, trailer coupling receptacle cover.....	1	ea
	H4	H004-0572999			572999	BUSHING, terminal, grommet adapting, waterproof cable connector, size AWG No. 14 cable (light switch harness (25); stop light harness (4); voltage regulator harness (5))	34	ea
	H5	H005-0812371			15-C-2165-400	CABLE, automotive, low tension, ins (plastic, natural or syn-ru), wtrprf, sgle-cond, stranded, shielded (spec AXS-1819) cond size AWG No. 2, 0.610 OD	‡	ft
	H5	H005-0812367			15-C-2165-250	CABLE, automotive, low tension, ins (plastic, natural or syn-ru), wtrprf, sgle-cond, stranded, shielded (spec AXS-1819) cond size AWG No. 8, 0.360 OD	‡	ft
	H5	H005-0812364			14-C-2165-170	CABLE, automotive, low tension, ins (plastic, natural or syn-ru), wtrprf, sgle-cond, stranded, shielded (spec AXS-1819) cond size AWG No. 12, 0.160 OD	‡	ft
	H5	H005-0812366			15-C-2165-200	CABLE, automotive, low tension, ins (plastic, natural or syn-ru), wtrprf, sgle-cond, stranded, shielded (spec AXS-1819) cond size AWG No. 12, 0.235 OD	‡	ft
				WO-800440 PC-5292274	7762742 8677059	CABLE, fuel gage to sending unit, assy.....	1	ea
06-11	H1	H001-4135661	012-0361		120361	CABLE, horn to ground, assy.....	1	ea
	H1	H001-5148251	5305-012-0221		120221	NUT, PLAIN, HEXAGON, S, cd or zn-pltd, No. 10 (0.190)-24NC-2	1	ea
	H1	H001-7124621	017-8378		178378	SCREW, MACH, rd-hd, S, cd or zn-pltd, No. 10 (0.190)-24NC-2A x 1/2	1	ea
	H1	H001-7025621	012-0217		120217	WASHER, LOCK, int-teeth, reg, S, cd or zn-pltd, No. 10 x 0.610 OD	1	ea
	H1	H001-7021681	5310-012-1801		121801	WASHER, LOCK, med, S, cd or zn-pltd, No. 10 (0.190), 0.194 ID, 0.337 OD (superseded by WASHER, 121801)	1	ea
				WO-800439	7762739	WASHER, LOCK, S, cd or zn-pltd, style No. 2, 0.365 OD, No. 10 (0.190) (supersedes WASHER, 120217)	1	ea
						CABLE, instrument cluster to ignition switch, assy (used on vehicles through serial No. 65042)	1	ea

170

06-11

			WO-801327	7731419	CABLE, wiring, circuit breaker, assy (used on vehicles through serial No. 65927)	1	ea
			WO-804330		CABLE, wiring, voltage regulator, assy (used on vehicles after serial No. 20599 and through serial No. 65927)	1	ea
			WO-806777		CABLE, wiring, voltage regulator, assy (used on vehicles after serial No. 65927)	1	ea
	G744-7261670		WO-801165 SCI-60-37398-12 WO-802064	7261670	CAP, dust, $\frac{3}{4}$ -20thd, $\frac{7}{8}$ OD, auxiliary power receptacle, w/CHAIN, assy (used on vehicles through serial No. 47771)	1	ea
	G740-8331015		CED-2209-212 WO-801166	8331015	CAP, dust, $1\frac{3}{8}$ -18thd- $1\frac{1}{2}$ OD, radio receptacle, w/CHAIN, assy (optional w/CAP, G251-7261674) (used on vehicles through serial No. 47771)	1	ea
	G740-7697551	5340-769-7551	WO-642822	7697551	CLAMP, LOOP TYPE, closed, S, cd or zn-pltd, $\frac{5}{8}$ in hole for No. 10 screw (light switch rear harness to left side top rear cross member (1); radio receptacle cable to body side panel, through serial No. 37887 (2); slave receptacle cable to fender, through serial No. 47771 (2) (superseded by CLAMP, 120527))	5	ea
	H4	H004-0327736		120527	CLAMP, LOOP TYPE, closed, S, cd or zn-pltd, $\frac{5}{8}$ in hole for No. 10 screw (light switch rear harness to left side top rear cross member (1); radio receptacle cable to body side panel, through serial No. 37887 (2); slave receptacle cable to fender, through serial No. 47771 (2) (supersedes CLAMP, G740-7697551))	5	ea
	H1	H001-4135661	012-0361	120361	NUT, PLAIN, HEXAGON, S, cd or zn-pltd, No. 10 (0.190)-24NC-2	1	ea
	H1	H001-5148251	5305-012-0221	120221	SCREW, MACH, rd-hd, S, cd or zn-pltd, No. 10 (0.190)-24NC-2A x $\frac{1}{2}$	1	ea
	H1	H001-5148271	5305-012-0222	120222	SCREW, MACH, rd-hd, S, cd or zn-pltd, No. 10-24NC-2A x $\frac{5}{8}$	1	ea
	H1	H001-7025621	5310-012-0217	120217	WASHER, LOCK, med, S, cd or zn-pltd, No. 10 (0.190), 0.337 OD (superseded by WASHER, 121801)	1	ea
	H1	H001-7021681	5310-012-0801	121801	WASHER, LOCK, int-teeth, S, cd or zn-pltd, style No. 2, No. 10 (0.190) 0.365 OD (supersedes WASHER, 120217)	1	ea
	H4	H104-0432653		432653	CLIP, fastener, elec wiring, type B, $\frac{3}{8}$ in, S, cd or zn-pltd (light switch harness to dash panel (1), to fender splasher (3), headlight cable to upper air deflector (2) (superseded by CLIP, 145411))	6	ea
	H4			145411	CLIP, FASTENER, type B, S, phos-ctd, $\frac{3}{8}$ in (supersedes CLIP, H104-0432653) (light switch harness to dash panel (1); light switch harness to fender splasher (3); and head light cable to upper air deflector (2))	6	ea

(1) ILLUSTRATION NO.	(2) REFERENCE SYMBOLS	(3) ORDNANCE STOCK NO.	(4) FEDERAL STOCK NO.	(5) MFR'S PART NO.	(6) ORDNANCE PART NO.	(7) DESCRIPTION	(8) QUANTITY INCORPORATED IN UNIT	(9) UNIT OF ISSUE
<b>GROUP 06—ELECTRICAL SYSTEM—Continued</b>								
<b>0613.1—CHASSIS WIRING—Continued</b>								
06-11		G503-7343086	5940-734-3086	WO-A5450	7343086	CLIP, open, S, $\frac{1}{16}$ in hole for $\frac{3}{8}$ in screw (radio receipt cable to body side pnl (2); through serial No. 37887; radio receipt cable to tool box bottom (2) thru serial No. 47771; and head light cable to clip bracket (1) light switch rear harness to right side top rear cross member (1))	4	ea
	H1	H001-4135661	012-0361		120361	NUT, PLAIN, HEXAGON, S, cd or zn-pltd, No. 10 (0.190)-24NC-2	4	ea
	H1	H001-5148251	5305-012-0221		120221	SCREW, MACHINE, rd-hd, S, cd or zn-pltd, No. 10 (0.190)-24NC-2 x $\frac{1}{2}$	1	ea
	H1	H001-7021681	5310-012-0801		121801	WASHER, lock, int-teeth, S, cd or zn-pltd, style No. 2, No. 10 (0.190), 0.365 OD (supersedes WASHER, 120217)	4	ea
	H1	H001-7025621	5310-012-0217		120217	WASHER, LOCK, S, cd or zn-pltd, No. 10 (0.190), 0.194 ID, 0.337 OD (superseded by WASHER, 121801)	4	ea
06-11		G740-7047998		WO-A5449	7047998	CLIP, open, $\frac{5}{16}$ in hole for No. 10 bolt (blackout driving light to fender)	2	ea
	H1	H001-4135661	012-0361		120361	NUT, PLAIN, HEXAGON, S, cd or zn-pltd, No. 10 (0.190)-24NC-2	2	ea
	H1	H001-5148251	5305-012-0221		120221	SCREW, MED, S, rd-hd, cd or zn-pltd, No. 10 (0.190)-24NC-2 x $\frac{1}{2}$	2	ea
	H1	H001-7021681	5310-012-1801		121801	WASHER, LOCK, int-teeth, S, cd or zn-pltd, style No. 2, No. 10 (0.190), 0.365 OD (supersedes WASHER, 120217)	2	ea
	H1	H001-7025621	012-0217		120217	WASHER, LOCK, med, S, cd or zn-pltd, No. 10 (0.190), 0.337 OD (superseded by WASHER, 121801)	2	ea
	H2	H002-8328252		WO-806197	8328252	CLIP, roof nail wiring, type T, 0.132 diam, wire to 0.032 supporting structure (right taillight cable to right taillight bracket) (used on vehicles after serial No. 43685)	1	ea
06-11	H2	H102-0145525			145525	CLIP, wiring harness, open, $\frac{1}{8}$ in, slip-on type hole for $\frac{3}{8}$ screw (horn and stop light cable to fender (2), fuel gage cable to instrument panel (1), light switch rear harness to floor (1), to frame (9), to left taillight bracket (2), to right taillight bracket through serial No. 43685 (1))	16	ea

	G758-8365411		AE-65705 WO-802204	8365411	CONNECTOR, conduit, 90 deg, 3/8 in, assy (used on vehicles through serial No. 47771)	1	ea
	G244-7762605	776-2605		7762605	CONNECTOR, double, female, 14 AWG terminal, assy.... Composed of:	1	ea
				572999	2 BUSHING		
				573002	1 GROMMET		
				573008	1 SHELL		
				573126	1 SLEEVE		
				572929	1 TERMINAL (Light switch wiring harness) (used on vehicles through serial No. 65927 (1) and after serial No. 65927 (1))		
	G740-7412643		WO-804782	7412643	CONNECTOR, double, female, 14 AWG terminal, assy (light switch wiring harness) (used on vehicles after serial No. 29886)	1	ea
				572999	Composed of:		
				573000	2 BUSHING		
				573005	2 CONNECTOR		
				573008	2 GROMMET		
				572929	1 SHELL		
				572929	2 TERMINAL		
	G260-7762752			7762752	CONNECTOR, elect cable, waterproof, female, two No. 12 AWG cable, one No. 10 AWG cable	3	ea
H4	H004-7760599			7760599	CONNECTOR, female, type PCA, 14 AWG cable terminal, assy (used on vehicles through serial No. 29886 (25), after serial No. 29886 and through serial No. 47771 (24), after serial No. 47771 and through serial No. 65042 (23), after serial No. 65042 and through serial No. 65927 (22) and after serial No. 65927 (21) (voltage regulator (3); stop light switch (2); light switch harness (16))	25	ea
				572999	Composed of:		
				573000	1 BUSHING		
				573005	1 CONNECTOR		
				573010	1 GROMMET		
				572929	1 SHELL		
				572929	1 TERMINAL		
	G251-7762607			7762607	CONNECTOR, female, 14 AWG cable terminal, assy (used on vehicles through serial No. 65927 (2) and after serial No. 65927 (1))	3	ea
H4	H004-0573000	350-9273		573000	CONNECTOR, inside, assy (right blackout marker light cable to right headlight cable (1); fuel gage cable to gas gage instrument cluster (1); light switch harness (16); voltage regulator harness (3), stop light harness (2))	23	ea

(1) ILLUSTRATION NO.	(2) REFERENCE SYMBOLS	(3) ORDNANCE STOCK NO.	(4) FEDERAL STOCK NO.	(5) MFR'S PART NO.	(6) ORDNANCE PART NO.	(7) DESCRIPTION	(8) QUANTITY INCORPORATED IN UNIT	(9) UNIT OF ISSUE
<b>GROUP 06—ELECTRICAL SYSTEM—Continued</b>								
<b>0613.1—CHASSIS WIRING—Continued</b>								
				WO-801326		CONNECTOR, male, circuit breaker wiring harness, assy.	1	ea
				WO-806415		CONNECTOR, male, No. 12 AWG cable terminal, assy. Composed of:	1	ea
					573004	1 GROMMET		
					573009	1 SHELL		
					572930	1 TERMINAL (voltage regulator harness) (used on vehicles after serial No. 65927)		
		G251-7762642			7762642	CONNECTOR, male, 14 AWG cable terminal, assy. Composed of:	4	ea
					572999	1 BUSHING		
					573005	1 GROMMET		
					573009	1 SHELL		
					572929	1 TERMINAL (light switch wiring harness front and rear)		
		G244-7760598	776-0598	WO-800422	7760598	CONNECTOR, male, 14 AWG cable terminal, assy (used on vehicles through serial No. 29886 (9), after serial No. 29886 and through serial No. 65042 (8), and after serial No. 65042 (7) (voltage regulator harness (2); stop light switch harness (2); light switch harness (3); horn ground cable (1)) Composed of:	9	ea
					572999	1 BUSHING		
					573005	1 GROMMET		
					573007	1 SHELL		
					572929	1 TERMINAL		
		G244-7321299		WO-800472	7321299	CONNECTOR, RECEPTACLE, slave, w/COVER, assy (used on vehicles through serial No. 47771)	1	ea
		G256-7762750	5935-776-2750		7762750	CONNECTOR, 3 wire (light switch harness)	3	ea
		G592-7731428	773-1428	SCI-60-36397-28 WO-800391	7731428	COVER, receptacle	1	ea
		G251-7261674	5340-726-1674	SCI-60-37398-22 WO-802065	7261674	COVER, sealing, receptacle cover	1	ea
		G742-7731435		SCI-10-40822-54 WO-801251	7731435	GROMMET, chassis, wiring harness to generator regulator plug nut	1	ea

	G251-7722343		SCI-60-40813-5 WO-801252	7722343	GROMMET, elec connector, 1 cable hole, ru, 0.150 diam hole, $\frac{3}{8}$ OD (used on vehicles through serial No. 47771 (2); and after serial No. 47771 (1))	2	ea
	G742-7524564		SCI-10-40822-56 WO-801195	7524564	GROMMET, ru, radio receptacle (used on vehicles through serial No. 37887)	1	ea
	G518-7000997		WO-800802	7000997	GROMMET, split, ru, $1\frac{13}{32}$ ID (light switch rear wiring harness to dash panel (1) (used on vehicles through serial No. 35387) in front floor pan and front floor pan extn for radio recep ground cable (used on vehicles through serial No. 47771))	2	ea
	G740-7346945		WO-801809	7346945	GROMMET, split, ru, $\frac{3}{4}$ ID (in dash for voltage regulator harness (1); and in dash for light switch front harness (1))	2	ea
H4	H004-0573005		DM-6549 WO-801454	573005	GROMMET, waterproof cable connector, No. 14 AWG cable (ru) (right blackout marker light cable to right headlight cable (2) and fuel gage cable to gas gage instrument cluster (1) (voltage regulator harness (5); stop light switch harness (4); light switch harness (23))	35	ea
H4	H004-0573002		DM-6557 WO-801455	573002	GROMMET, waterproof cable, connector, two No. 14 AWG cable (headlight cables and left blackout marker light cable to front light switch harness)	3	ea
	G251-7722323	772-2323	SCI-10-40822-15 WO-801528	7722323	GROMMET, wtrprf elec connector, ru, 6 hole, one 0.115 and five 0.150 diam holes, 1 OD (used on vehicles through serial No. 35387)	1	ea
	G592-7722333		WO-801201	7722333	GROMMET, waterproof elec connector, ru, 12 hole, 0.150 diam holes 1.240 OD (light switch, plug)	1	ea
			GE-B5414857 WO-805399	7524674	GROMMET, wtrprf elec connector, syn-ru, 3 hole, (three 0.258/0.268 diam holes) 1 OD (used on vehicles after serial No. 37887 and through serial No. 47771)	1	ea
			SCI-10-36382-28 WO-118505		HANDLE, receptacle cover	1	ea
06-11	G742-7539500		TI-B36834	7539500	HARNESS, wiring, generator to generator regulator, assy.	1	ea
			PC-5292266D WO-800420	8673499	HARNESS, wiring, light switch, front, assy (used on vehicles through serial No. 35387)	1	ea
			WO-805401		HARNESS, wiring, light switch, front and rear, assy (used on vehicles after serial No. 35387 and through serial No. 65927)	1	ea
06-11			WO-806778		HARNESS, wiring, light switch, front and rear, assy (used on vehicles after serial No. 65927)	1	ea
			PC-5292275 WO-801530	8673319	HARNESS, wiring, light switch, rear, assy (used on vehicles through serial No. 35387)	1	ea
			PC-5292512 WO-802371	8677051	HARNESS, wiring, stop light switch extension, assy (used on vehicles through serial No. 29886)	1	ea

(1) ILLUSTRATION NO.	(2) REFER- ENCE SYMBOLS	(3) ORDNANCE STOCK NO.	(4) FEDERAL STOCK NO.	(5) MFR'S PART NO.	(6) ORDNANCE PART NO.	(7) DESCRIPTION	(8) QUANTITY INCOR- PORATED IN UNIT	(9) UNIT OF ISSUE
06-11	H4	H004-0506159		WO-804784		<b>GROUP 06—ELECTRICAL SYSTEM—Continued</b>  <b>0613.1—CHASSIS WIRING—Continued</b>  HARNESS, wiring, stop light, switch extension, assy..... Composed of: ‡ CABLE 1 CONNECTOR 1 CONNECTOR 1 CONNECTOR (used on vehicles after serial No. 29886)	1	ea
					7720853	HARNESS, wiring, voltage regulator, assy (used on vehicles through serial No. 20599)	1	ea
					7760599	INSULATOR, cable terminal plastic tube, 0.030 wall thkns, 0.395 ID, 0.460 OD, 1½ in lg ((3) used on vehicles through serial No. 47771) ((1) used on vehicles after serial No. 47771)	3	ea
					7412643	INSULATOR, cable terminal, plastic tube, 0.625 ID, 2¾ OD, 2 lg (used on vehicles through serial No. 47771)	2	ea
					7760598	MARKER, circuit number, al-alloy (used on vehicles through serial No. 35387 (15); after serial No. 35387 and through serial No. 47771 (46); after serial No. 47771 and through serial No. 65042 (45), after serial No. 65042 (44))	46	ea
					8673335	MARKER, circuit number, al-alloy, ¼ ID, 1 lg, 0.0126 thk (used on vehicles through serial No. 47771 (3), after serial No. 47771 (1))	3	ea
					506159	MARKER, circuit number, al-alloy, ½ ID, 2 lg, 0.0126 thk (used on vehicles through serial No. 47771)	2	ea
					7056639	NUT, PLAIN, KNURLED, retaining, grommet, 1.193 diam cable hole, 1⅝-18NF-2, 1.750 OD	1	ea
					7524649	NUT, retaining, waterproof, elec connector, grommet, 0.328 diam cable hole, 0.625-24NEF-2 thds (used on vehicles through serial No. 47771 (2) and after serial No. 47771 (1))	2	ea
					A311679A	NUT, retaining, waterproof, elec connector, grommet, 0.953 diam cable hole, 1.2500-18NEF-2 thds (used on vehicles through serial No. 35387 (6), after serial No. 35387 and through serial No. 37887 (4), after serial No. 37887 and through serial No. 47771 (3), after serial No. 47771 (1) and voltage regulator (1))	6	ea
					7412573			
					7723309			
					7723306			
	7723308							

		G244-7720495		SCI-60-42613-55 WO-801249	7720495	PLUG, waterproof, No. 12 shell, female socket insert, No. 16 AWG cable contact, assy	1	ea
		G742-7730893		SCI-60-42622-22P WO-801250	7730893	PLUG, waterproof, No. 12 shell, male pin insert, four No. 8 AWG cable contacts	1	ea
		G251-7716884	771-6884	SCI-60-42622-15-S WO-801532	7716884	PLUG, waterproof, No. 22 shell, female socket insert, five No. 12 and one No. 16 AWG cable contacts (used on vehicles through serial No. 35387)	1	ea
		G244-7716895	772-6895	SCI-60-42628-51S WO-801243 WO-800477	7716895 7731418	PLUG, waterproof, No. 28 shell, female socket insert, twelve No. 12 AWG cable contact, assy	1	ea
	H1	H101-0228295	022-8295		228295	RECEPTACLE, auxiliary power w/CABLE, assy (used on vehicles through serial No. 47771)	1	ea
		G742-7720497		SCI-60-42013-5S WO-801469	7720497	BOLT, INTEGRAL LOCK WASHER, ext-tooth-type, rd-hd, slotted, S, fin, No. 6 (0.138)-32NC-2 x 1/2	4	ea
		G741-7722352		SCI-60-42022-2S WO 801196	7722352	RECEPTACLE, auxiliary power, w/COVER, assy (used on vehicles through serial No. 47771)	1	ea
06-9, 11		G758-7355819		WO-805397	7355819	RECEPTACLE, radio, 24v, waterproof, assy (used on vehicles through serial No. 37887)	1	ea
	H1	H101-0228295	022-8295		228295	RECEPTACLE, radio, 24v, waterproof, w/CABLE, assy (used on vehicles after serial No. 37887 and through serial No. 47771)	1	ea
	H1	H001-5417601	012-0854		120854	BOLT, INTEGRAL LOCK WASHER, ext-tooth type, rd-hd, sltd, S, fin, No. 6-(0.138)-32NC-2 x 1/2	4	ea
	H1	H001-4167501	012-0375		120375	BOLT, MACHINE, hex-hd, S, cd or zn-pltd, 1/4-20NC-3 x 5/8	1	ea
	H1	H001-4135581	013-4530		134530	NUT, PLAIN, HEXAGON, lt, s-fin, S, cd or zn-pltd, 1/4-20NC-2	1	ea
	H1	H001-7124701	5310-017-4916		174916	NUT, PLAIN, HEXAGON, S, cd or zn-pltd, No. 6 (0.138)-32NC-2	4	ea
				TI-B37654 IHC-E1272-97-10 WO-802203	8677046	WASHER, LOCK, int-ext-teeth, reg, S, cd or zn-pltd, 1/4 x 0.760	2	ea
06-11		G742-7731421		WO-800471	7731421	RECEPTACLE, radio, 24v, wtrprf, w/CABLE, assy (used on vehicles through serial No. 37887)	1	ea
	H1	H001-1938060	042-3467	WO-674792	423467	RECEPTACLE, slave, w/CABLE, assy (used on vehicles through serial No. 47771)	1	ea
		G256-7762687	2510-776-2687		7762687	BOLT, INTEGRAL LOCK WASHER, type 2, S, cd or zn-pltd, No. 12 (0.216)-24NC-2 x 5/8	4	ea
				SCI-10-36384-28 WO-118502		RING, RETAINING, sleeve and connector (light switch harness)	9	ea
				SCI-10-36383 WO-118500		RIVET, oval-hd-tubular .186 x 3.312	1	ea
						RIVET, oval-hd .188 x .314 (recept cover)	1	ea



(1) ILLUSTRATION NO.	(2) REFERENCE SYMBOLS	(3) ORDNANCE STOCK NO.	(4) FEDERAL STOCK NO.	(5) MFR'S PART NO.	(6) ORDNANCE PART NO.	(7) DESCRIPTION	(8) QUANTITY INCORPORATED IN UNIT	(9) UNIT OF ISSUE
<b>GROUP 06—ELECTRICAL SYSTEM—Continued</b>								
<b>0613.1—CHASSIS WIRING—Continued</b>								
	H4	H004-0573007	350-9279		573007	SHELL, waterproof cable connector, 1 cable, female (2-wire) (mates w/SHELL, H004-0573010) right blackout marker light cable to right headlight cable (1); voltage regulator harness (2); stop light switch harness (2); light switch harness (3)	8	ea
	H4	H004-0573009			573009	SHELL, wtrprf connector, 1-cable, male (mates w/SHELL, H004-0573008) (voltage regulator harness (1); light switch harness (4))	5	ea
	H4	H004-0573010	350-9282		573010	SHELL, waterproof connector, 1 cable, male (2-wire) (mates w/SHELL, H004-0573007) (right blackout marker light cable to right headlight cable (1); fuel gage cable to gas gage instrument cluster (1); light switch harness (16); voltage regulator harness (3) and stop light switch harness (2))	23	ea
	H4	H004-0573008	350-9280		573008	SHELL, waterproof connector, 2 cable, female (mates w/SHELL, H004-0573009) (headlight cables and left blackout marker light cable to front light switch harness)	3	ea
	H4	G256-7762751 H004-0573126	2510-776-2751		7762751 573126	SLEEVE, connector cover (light switch harness)..... SLEEVE, w/CONNECTOR waterproof cable Y-connector (headlight cables and left blackout marker light cable to front right switch harness) Composed of:	3 3	ea ea
					7762750 7762687 7762751	1 CONNECTOR 3 RING 1 SLEEVE		
				SCI-10-36385-28 WO-118503		SPRING, receptacle cover.....	1	ea
	H5	H005-0875945			17-T-1745 -60	TAPE, insulating, vinyl chloride acetate, black, width $\frac{3}{4}$ in, thkns 0.010 in (108 ft per roll)	†	ft
	H4	H004-0572929			572929	TERMINAL, cable, snap, male, type 1, 15 amp, No. 14 AWG cable (0.160 diam) (fuel gage to sending unit cable) (voltage regulator harness (5); stop light switch harness (4); light switch harness (27))	36	ea
	H4	H004-0572930	350-9269		572930	TERMINAL, cable, snap, male, wire type V, 15 amp, No. 12 AWG cable (0.235 OD)	1	ea

06-8

179

06-8

0615

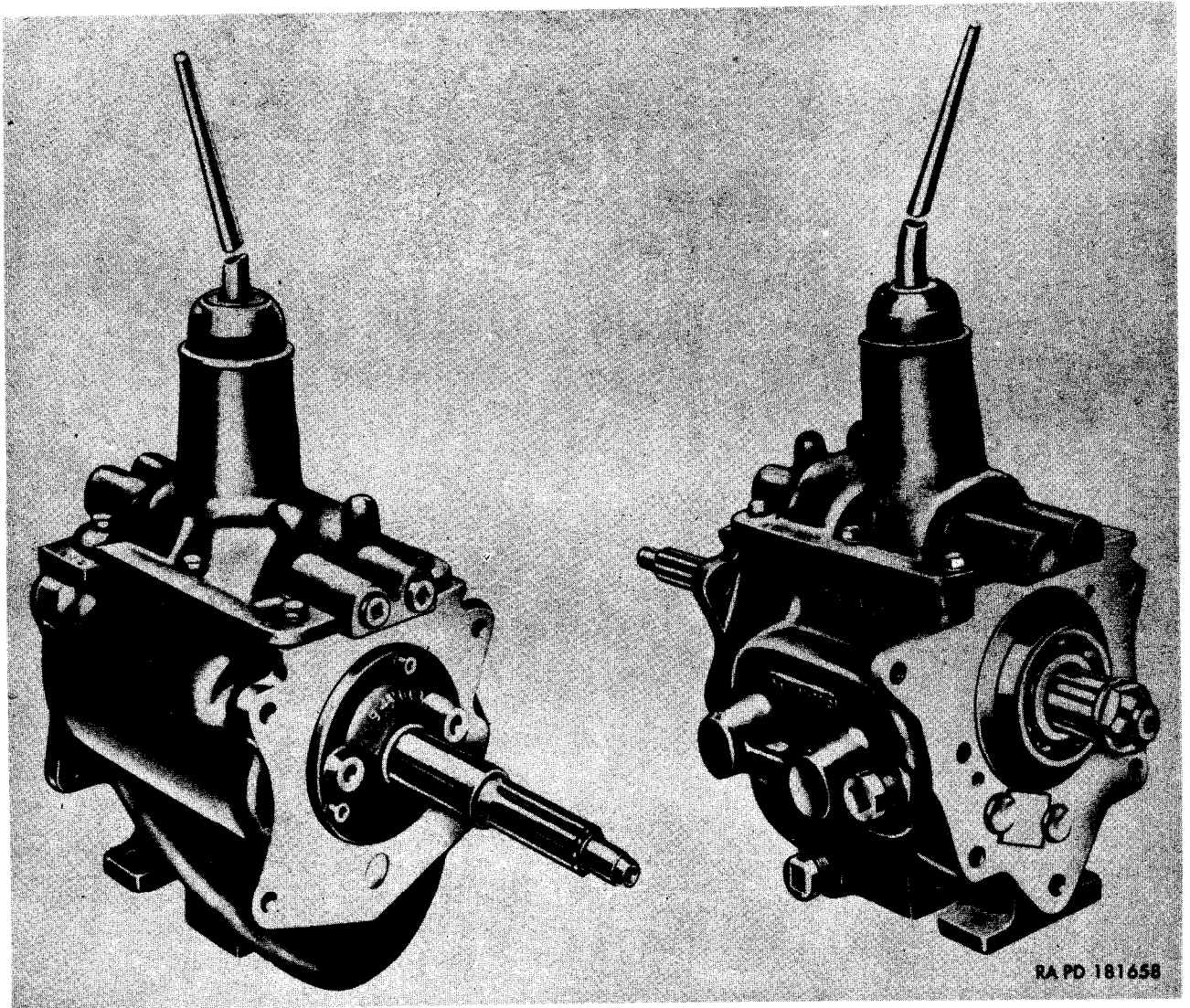
			PC-5292376 WO-802635		TERMINAL, stght, cop, cd-pltd, $\frac{1}{32}$ hole, for No. 2 cable (slave receptacle cable) (used on vehicles through serial No. 47771)	2	ea
			WO-800483	7056719	TERMINAL, stght, cop, hole for $\frac{3}{8}$ in screw, for use on multi-cond cable (voltage regulator cable to starter)	1	ea
H4	H004-7056708			7056708	TERMINAL, waterseal, type 1, No. 10 screw, No. 12 and No. 14 multi-cond conductor cable, copper, cd-pltd	1	ea
H4	H004-7056715	705-6715		7056715	TERMINAL, waterseal, type 1, stght, cop, cd-pltd, hole for $\frac{3}{8}$ in screw, for use on No. 8 sgle cond cable (used on vehicles through serial No. 47771 (3); and after serial No. 47771 (2))	3	ea
			GE A5428338 WO-805398	7355926	WASHER (2 hole) br, cd-pltd, 1.015 in diam (0.370/0.380 hole and 0.390/0.400 hole) (radio receptacle cable) (used on vehicles after serial No. 37887 and through serial No. 47771)	1	ea
					<b>0615—RADIO SUPPRESSION</b>		
H5	H005-0811650			811650	CABLE, automotive, bare strap, braided, AWG No. 4, width $2\frac{1}{32}$ in (supersedes LEAD, G503-7371311)	†	ft
H5	H005-0812364			812364	CABLE, automotive, low tension, ins (plastic, natural or syn-ru), wtrprf, sgle-cond, stranded, shielded (spec AXS-1819), cond size AWG No. 14, 0.160 OD (ignition switch filter to distributor) (used on vehicles through serial No. 20599)	1	ft
	G740-7348569			7348569	CABLE, ignition switch filter to distributor, assy Composed of: 1 CONDUIT AND CONNECTOR 1 ELBOW 2 PLUG (used on vehicles through serial No. 20599)	1	ea
			TI-S2883	7528205 7720495	CONDUIT, flexible shielding, br, inner core, flat ribbon wire, inner braid, rd, silicone bz, outer braid, 0.296 ID, 0.465 OD (ignition switch filter to distributor cable) (used on vehicles through serial No. 20599)	1	ea
			TI-S2883	7528197	CONDUIT, w/CONNECTOR, assy (ignition switch filter to distributor cable)	1	ea
			TI-A56136	7528192	ELBOW, ignition switch filter to distributor cable (used on vehicles through serial No. 20599)	1	ea
			TI-A36970	7528205	ELBOW, ignition switch filter to distributor cable, assy (used on vehicles through serial No. 20599) Composed of: 1 ELBOW 1 FERRULE 1 FERRULE 1 NUT	1	ea
				7528192 7528190 7528206 7528181			

(1) ILLUSTRATION NO.	(2) REFER- ENCE SYMBOLS	(3) ORDNANCE STOCK NO.	(4) FEDERAL STOCK NO.	(5) MFR'S PART NO.	(6) ORDNANCE PART NO.	(7) DESCRIPTION	(8) QUANTITY INCOR- PORATED IN UNIT	(9) UNIT OF ISSUE
						<b>GROUP 06—ELECTRICAL SYSTEM—Continued</b>		
						<b>0615—RADIO SUPPRESSION—Continued</b>		
				TI-U1864-21	7528189	ELBOW, ignition switch filter to distributor cable, assy (used on vehicles through serial No. 20599) Composed of:	1	ea
					7528178	1 ELBOW		
					7528194	1 FERRULE		
					7528181	1 NUT		
					7528183	1 WASHER		
					7528178	ELBOW, ignition switch filter to distributor cable (used on vehicles through serial No. 20599)	1	ea
					7528194	FERRULE, ignition switch filter to distributor cable (used on vehicles through serial No. 20599)	1	ea
				TI-A26854	7528190	FERRULE, ignition switch filter to distributor cable (used on vehicles through serial No. 20599)	1	ea
					7528206	FERRULE, ignition switch filter to distributor cable (used on vehicles through serial No. 20599)	1	ea
				TI-U1864-20A	7528193	FERRULE, ignition switch filter to distributor cable (used on vehicles through serial No. 20599)	1	ea
	H4	H004-0504804			504804	FERRULE, 3/4 in wide braided strap (supersedes LEAD, G503-7371311)	1	ea
				SPR-11715 WO-802383	8677052	FILTER, ignition switch, assy (optional w/FILTER, G741-7528195) (used on vehicles through serial No. 20599)	1	ea
		G741-7528195	2920-752-8195	AX-19525 WO-800239	7528195	FILTER, ignition switch, assy (optional w/FILTER, 8677052) (used on vehicles through serial No. 20599)	1	ea
	H1	H001-4135661	012-0361		120361	NUT, PLAIN, HEXAGON, mach screw, S, cd or zn- pltd, No. 10 (0.190)-24NC-2	4	ea
	H1	H001-7124621	017-8378		178378	WASHER, LOCK, int-ext-teeth, S, cd or zn-pltd, No. 10 x 0.610 (0.580 to 0.610 in OD)	4	ea
06-8				SCI-10-40813-5S	8844094	INSERT, waterproof electrical connector, No. 13 shell, one No. 12 AWG cable contact hole (ignition switch filter to distributor cable) (used on vehicles through serial No. 20599)	2	ea
		G503-7371311	6140-361-7444	WO-A1098	7371311	LEAD, elect eng, grd, 1 1/16 in wide, 7 1/2 in lg, 2 hdl, 1 1/32 in diam, 6 1/2 C to C (superseded by FERRULE, H004-0504804 and CABLE, H005-0811650)	1	ea

	H1	H001-5455261	018-1637		181637	BOLT, MACHINE, cap, hex-hd, S, 85,000 psi yield strength, cd or zn-pltd, $\frac{3}{8}$ -24NF-3 x 1	1	ea
	H1	H001-4167600	012-0369		120369	NUT, PLAIN, HEXAGON, lt, s-fin, S, cd or zn-pltd, $\frac{3}{8}$ -24NF-2	1	ea
	H1	H001-7124741	5310-017-8551		178551	WASHER, LOCK, int-ext-teeth, S, cd or zn-pltd, $\frac{3}{8}$ x 0.985 (0.965 to 0.985 in OD)	2	ea
	H1	H001-7025741	5310-012-0382		120382	WASHER, LOCK, med, S, cd or zn-pltd, $\frac{3}{8}$ in.....	1	ea
	H1	H001-7124911	5310-017-8532		178532	WASHER, LOCK, S, cd or zn-fin, style No. 7, 0.865 OD, $\frac{5}{16}$ in bolt size	2	ea
06-8		G244-7527643		SCI-10-40457-12	7527643	NUT, coupling, No. 13 shell, electrical connector, ignition switch filter to distributor cable (used on vehicles through serial No. 20599)	2	ea
06-8				TI-A23377	7528187	NUT, hex, corr-res, S, $\frac{5}{8}$ -24NF-3 x 3 (ignition switch filter to distributor cable) (used on vehicles through serial No. 20599)	1	ea
					7528181	NUT, ignition switch filter to distributor cable (used on vehicles through serial No. 20599)	2	ea
		G244-7720495		SCI-60-42613-5S TI-A36860	7720495	PLUG, waterproof electrical connector, No. 12 shell female socket insert, one No. 12 AWG cable contact (ignition switch filter to distributor cable) (used on vehicles through serial No. 20599)	2	ea
					7716520	Composed of: 1 SOCKET		
					8344094	1 INSERT		
					7527643	1 NUT		
				SCI-10-40456-12		1 SHELL		
		G244-7720498		WO-118881	7720498	RECEPTACLE, waterproof electrical connector, box mounting, male pin insert, one No. 12 AWG cable contact (used on vehicles through serial No. 20599)	2	ea
06-8				SCI-10-40456-12		SHELL, trailer receptacle, electrical connector, No. 13 (ignition switch filter to distributor cable) (used on vehicles through serial No. 20599)	2	ea
06-8				SCI-10-33644	7716520	SOCKET, No. 12, ignition switch filter to distributor cable (used on vehicles through serial No. 20599)	2	ea
					7528183	WASHER, ignition switch filter to distributor cable (used on vehicles through serial No. 20599)	1	ea
						<b>0617-TRAILER COUPLINGS</b>		
		G747-7355938		SCI-L8719-32 WO-807154	7355938	BRACKET, polarizing, electrical connector (type Q28) (used on vehicles after serial No. 65781)	1	ea
	H4	H004-0572999			572999	BUSHING, terminal grommet adapting, wtrprf cable connector	7	ea
	H5	H005-0812364			812364	CABLE, receptacle, trailer coupling, 14 AWG, 0.160 OD...	†	ea

(1) ILLUSTRATION NO.	(2) REFER- ENCE SYMBOLS	(3) ORDNANCE STOCK NO.	(4) FEDERAL STOCK NO.	(5) MFR'S PART NO.	(6) ORDNANCE PART NO.	(7) DESCRIPTION	(8) QUANTITY INCOR- PORATED IN UNIT	(9) UNIT OF ISSUE
<b>GROUP 06—ELECTRICAL SYSTEM—Continued</b>								
<b>0617—TRAILER COUPLINGS—Continued</b>								
		G244-7762605	776-2605		7762605	CONNECTOR, double, female, 14 AWG .....	1	ea
					572999	Composed of:		
					7762750	2 BUSHING		
					573002	1 CONNECTOR		
					7762687	1 GROMMET		
					573008	3 RING		
					7762751	1 SHELL		
					572929	1 SLEEVE		
					7760598	2 TERMINAL		
		G244-7760598	776-0598	WO-800422	7760598	CONNECTOR, male, 14 AWG .....	4	ea
					572999	Composed of:		
					573005	1 BUSHING		
					573007	1 GROMMET		
					572929	1 SHELL		
					7762642	1 TERMINAL		
		G251-7762642			7762642	CONNECTOR, male, 14 AWG .....	1	ea
					572999	Composed of:		
					573005	1 BUSHING		
					573009	1 GROMMET		
					572929	1 SHELL		
					7762750	1 TERMINAL		
		G256-7762750	5930-776-2750		7762750	CONNECTOR, 3 in wire .....	1	ea
18-2		G592-7731428	5935-773-1428	SCI-60-36397-28 WO-800391	7731428	COVER, trailer coupling receptacle, assy .....	1	ea
	H1	H101-0425381	042-5381		425381	BOLT, INTEGRAL LOCK WASHER, int-tooth type, hex-hd, S, cd or zn-fin, header-pt, ¼-20NC-2 x ¾ (recept and cover to body) (used on vehicles through serial No. 10467)	4	ea
	H1	H101-0446609	044-6609		446609	BOLT, INTEGRAL LOCK WASHER, spring type, hex-hd, S, cd or zn-fin, ¼-20NC-2 x ⅝ (used on vehicles after serial No. 10467)	4	ea
	H4	H004-0573005			573005	GROMMET, connector, No. 14 AWG, 0.160 diam wire	5	ea
	H4	H004-0573002			573002	GROMMET, connector, No. 14 AWG, 0.160 diam wire	1	ea
		G592-7722333		SCI-10-40828-51 WO-801201	7722333	GROMMET, wtrprf electrical connector, ru, 12 hole, 0.150 diam hole, 1.240 OD	1	ea
		G252-7524649		WO-801692	7524649	MARKER, circuit number .....	7	ea

	G592-7723309	772-3309	SCI-60-37005-281 WO-801193	7723309	NUT, retn, wtrprf electrical connector grommet, 1.193 diam cable hole, 1.6250-18NEF-2 thds	1	ea
			PC-5292276 WO-801531	8673318	RECEPTACLE and HARNESS, trailer coupling, assy, w/CABLE	1	ea
				812364	Composed of:		
				7760598	‡ CABLE		
				7762642	4 CONNECTOR		
				7762605	1 CONNECTOR		
				7722333	1 CONNECTOR		
				7524649	1 GROMMET		
				7723309	7 MARKER		
				7731429	1 NUT		
				7056708	1 RECEPTACLE		
				120361	1 TERMINAL		
H1	H001-4135661	012-0361			NUT, PLAIN, HEXAGON, S, cd or zn-pltd, No. 10 (0.190)-24NC x 2	1	ea
H1	H001-5148271	5305-012-0222		120222	SCREW, MACH, rd-hd, S, cd or zn-pltd, No. 10 (0.190)-24NC-2A x 5/8	1	ea
H1	H001-7124621	017-8378		178378	WASHER, LOCK, int-ext-teeth, S, cd or zn-pltd, No. 10 x 0.610 (0.580 to 0.610 OD)	1	ea
H1	H001-7025621	5310-012-0217		120217	WASHER, LOCK, med, S, cd or zn-pltd, No. 10 (0.190), 0.194 ID, 0.337 OD (superseded by WASHER, 121801)	1	ea
H1	H001-7021681	5310-012-1801		121801	WASHER, LOCK, S, cd or zn-fin, style No. 2, 0.365 OD, No. 10 (0.190) screw size (supersedes WASHER, 120217)	1	ea
	G740-7731429	773-1429	SCI-60-36028-51S WO-800392	7731429	RECEPTACLE, trailer coupling, assy (superseded by RECEPTACLE, G741-7524953)	1	ea
	G741-7524953			7524953	RECEPTACLE, trailer coupling, assy (supersedes RECEPTACLE, G740-7731429) (superseded by RECEPTACLE, G258-8376209)	1	ea
	G258-8376209			8376209	RECEPTACLE, waterproof trailer coupling, assy (supersedes RECEPTACLE, G741-7524953)	1	ea
	G256-7762687	2510-776-2687		7762687	RING, RETAINING, connector socket	1	ea
H4	H004-0573007	350-9279		573007	SHELL, female connector, 1 cable (2 wire) (mates w/SHELL, H004-0573010)	4	ea
H4	H004-0573008	350-9280		573008	SHELL, female connector, 2-cable (mates w/SHELL, H004-0573009)	1	ea
H4	H004-0573009			573009	SHELL, male connector (mates w/SHELL, H004-0573008)	1	ea
	G256-7762751	2510-776-2751		7762751	SLEEVE, 3 in wire	1	ea
H4	H004-0572929			572929	TERMINAL, cable, snap, male, type 1, 15 amp, No. 14 AWG cable	7	ea
H4	H004-7056708			7056708	TERMINAL, waterseal, type 1, No. 10 screw, No. 12 and 14 multi-conductor cable, cop, cd-pltd (inter-vehicle receptacle assy)	1	ea



RA PD 181658

*Figure 07-1. Transmission assy (7697471)*

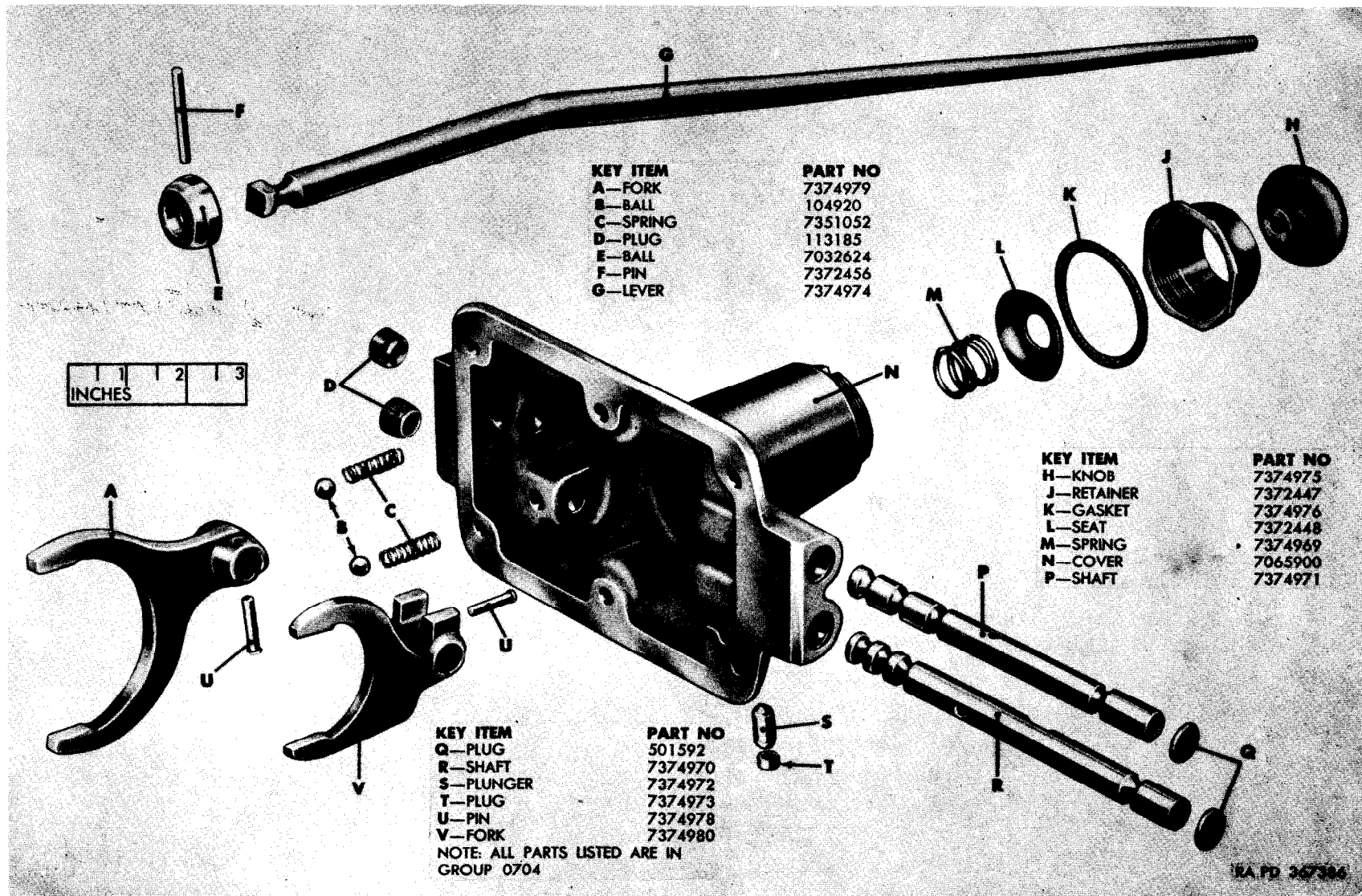


Figure 07-2. Transmission cover and related parts—exploded view



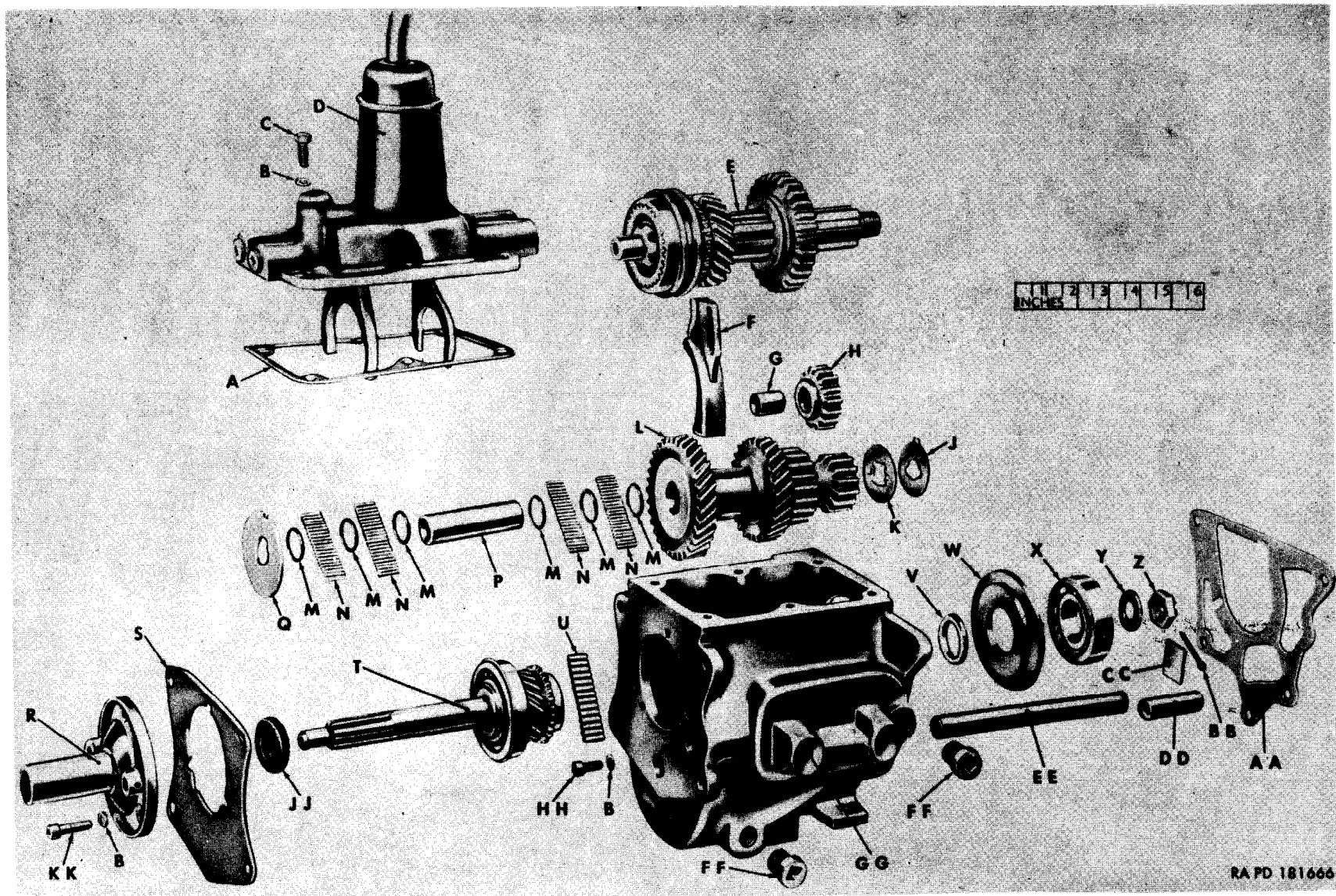


Figure 07-8. Transmission gears and related parts—exploded view

Key	Item	Part No.	Group	Key	Item	Part No.	Group
A	-GASKET.....	7374977	0704	S	-GASKET.....	8329853	0701
B	-GASKET.....	8329873	{ 0702.1	T	-GEAR, ASSY.....	8673949	0702.1
			{ 0702.5	U	-ROLLER.....	712420	0702.3
			{ 0704	V	-SPACER.....	7374992	0702.3
C	-SCREW.....	8329994	0704	W	-ADAPTER.....	7374991	0702.3
D	-COVER, ASSY.....	7032623	0704	X	-BEARING.....	700336	0702.3
E	-SHAFT, ASSY.....	WG-AT90A2	0704	Y	-WASHER.....	7375131	0802.1
F	-COLLECTOR.....	7697420	0702.5	Z	-NUT.....	7743652	0802.1
G	-BEARING.....	7697419	0702.5	AA	-GASKET.....	7372878	0800
H	-GEAR.....	8331730	0702.5	BB	-PIN.....	120123	0802.1
J	-WASHER.....	7697547	0702.5	CC	-PLATE.....	7697424	0702.5
K	-WASHER.....	7697429	0702.5	DD	-SHAFT.....	7697425	0702.5
L	-GEAR.....	7697422	0702.5	EE	-COUNTERSHAFT.....	7697421	0702.5
M	-WASHER.....	7697427	0702.5	FF	-PLUG.....	7372879	0701
N	-ROLLER.....	712386	0702.5	GG	-CASE.....	7372877	0701
P	-SPACER.....	7372667	0702.5	HH	-BOLT.....	571283	0702.5
Q	-WASHER.....	7697428	0702.5	JJ	-SEAL.....	7697572	0702.1
R	-COVER.....	7697564	0702.1	KK	-BOLT.....	426892	0702.1

Figure 07-3. Transmission gears and related parts—exploded view—legend

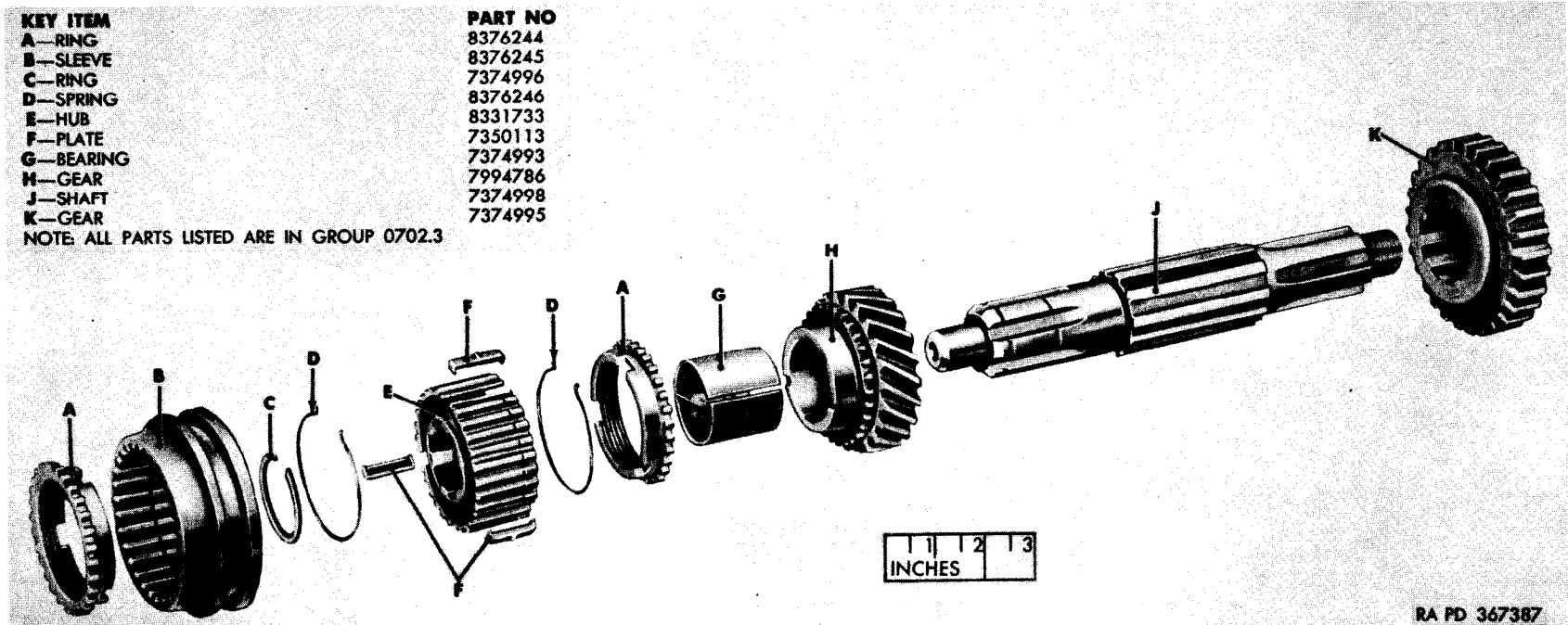
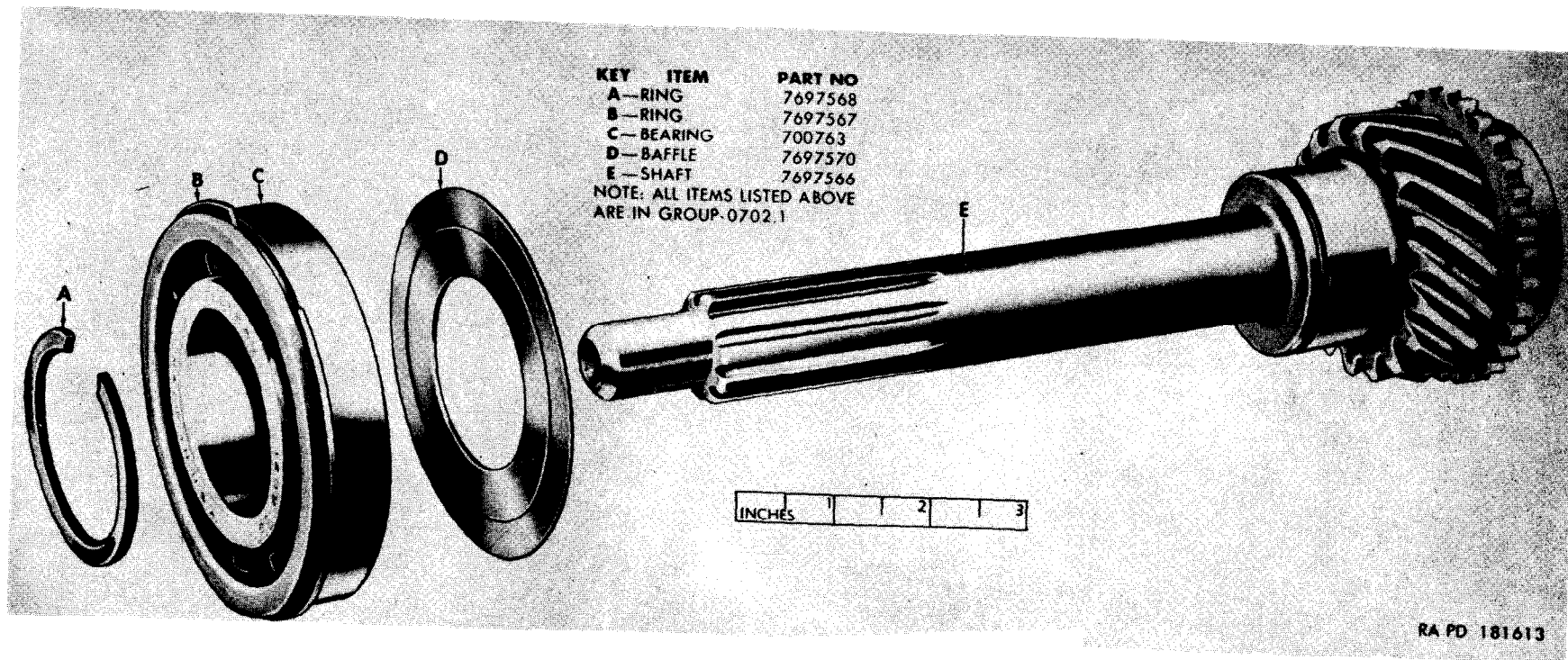


Figure 07-4. Transmission main shaft, assy—exploded view



*Figure 07-5. Transmission main drive gear, assy—exploded view*

0700

(1)	(2)	(3)	(4)	(5)	(6)	(7)	(8)	(9)
ILLUSTRATION NO.	REFERENCE SYMBOLS	ORDNANCE STOCK NO.	FEDERAL STOCK NO.	MFR'S PART NO.	ORDNANCE PART NO.	DESCRIPTION	QUANTITY INCORPORATED IN UNIT	UNIT OF ISSUE
						<b>GROUP 07—TRANSMISSION</b>		
						<b>0700—TRANSMISSION ASSEMBLY</b>		
07-1		G740-7697471	2520-769-7471	WG-AS3T90C WO-800079	7697471	TRANSMISSION, w/gear shift LEVER, assy.....	1	ea
	H1	H001-5421961	012-2267		122267	BOLT, MACHINE, hex-hd, S, cd or zn-pltd, $\frac{7}{16}$ -14NC-3 x $1\frac{1}{4}$	4	ea
	H1	H001-1525020	5310-011-6104		116104	WASHER, FLAT, light series, copper (plain) $\frac{15}{32}$ ID, $\frac{5}{8}$ OD, 0.065 thk (used on engine after serial No. 74419)	4	ea
	H1	H001-7025771	5310-012-0383		120383	WASHER, LOCK, med, S, cd or zn-pltd, $\frac{7}{16}$ in (used on engines through serial No. 74419)	4	ea
						<b>0701—CASE</b>		
07-3		G740-7372877		WG-T90C1 WO-642754	7372877	CASE, assy.....	1	ea
		G740-7697565	2520-769-7565	WG-T90A145B WO-640425	7697565	GASKET, main drive gear bearing retainer, $3\frac{13}{32}$ ID, $4\frac{1}{4}$ OD, 0.020 thk (used on vehicles through serial No. 53261)	1	ea
07-3		G758-8329853		WO-640351	8329853	GASKET, case to bell housing and main drive gear bearing retainer (dual purpose) (used on vehicles after serial No. 53261)	1	ea
07-3		G740-7372879		WG-4646A WO-801660	7372879	PLUG, PIPE, sq, ck-hd, MI, $\frac{1}{2}$ in (filling and drain openings)	2	ea
						<b>0702.1—INPUT DRIVE GEAR, BEARING, AND COVER</b>		
07-5		G740-7697570		WG-T90A-136A WO-640893	7697570	BAFFLE, oil.....	1	ea
07-5	H12	H012-1330040			700763	BEARING, ball, MIL-STD-CODE 112-04002-0500 (rad, SR, lt, loading groove, snap ring, 1.5748 bore, 3.1496 OD, 0.7087 width) (input gear)	1	ea
07-3		G740-7697564		WG-T90A6 WO-640422	7697564	COVER, input gear bearing.....	1	ea
07-3	H1	H101-0426892	042-6892		426892	BOLT, MACHINE, socket-hd, alloy-S, cd or zn-pltd, $\frac{5}{16}$ -18NC-3 x 1	3	ea
07-3		G503-0194032		WG-X01552 DGM-5201 WO-51875	8329873	GASKET, $\frac{5}{16}$ ID, $\frac{1}{2}$ OD, $\frac{3}{32}$ thk (input gear cover bearing bolt)	3	ea

190

07-3			WG-AT90A16 WO-640427	8673949	GEAR, input, w/BEARING, assy.....	1	ea
07-5		G740-7697567	WG-T90A6½ WO-640782	7697567	RING, snap, bearing, 0.0625 thk.....	1	ea
07-5		G740-7697568	WG-4559A WO-640783	7697568	0.086-0.088 thk.....	1	ea
		G176-5276883	WG-4559B WO-640784	5276883	0.089-0.091 thk.....	1	ea
		G740-7697569	WG-4559C WO-640785	7697569	0.092-0.094 thk.....	1	ea
		G740-7697571	5340-769-7571 WG-4559D WO-640894	7697571	0.096-0.098 thk.....	1	ea
			WG-4559E WO-808858		0.100-0.102 thk.....	1	ea
07-3		G740-7697572	WG-T90A54A WO-645980	7697572	SEAL, oil, input gear bearing retainer.....	1	ea
07-5		G740-7697566	WG-T90A16 WO-640428	7697566	SHAFT, input, w/integral GEAR.....	1	ea
<b>0702.3—MAIN SHAFT, GEARS, BEARINGS, AND SYNCHRONIZER</b>							
07-3		G740-7374991	WG-T90A7B WO-644552	7374991	ADAPTER, main shaft bearing.....	1	ea
07-3	H12	H012-1304035		700936	BEARING, ball, MIL-STD-CODE 111-03503-0000 (rad, SR, med, non-loading groove, 1.3780 bore, 3.1496 OD, 0.8268 width) (main shaft rear)	1	ea
07-4		G740-7374993	WG-T88-19E WO-640400	7374993	BEARING, bushing type, bz, 1.493 ID, 1.4990 OD, 1.422 width (main shaft second speed gear)	1	ea
07-4		G740-7374994	WG-AT90A11 WO-640398	7994786 7374994	GEAR, second speed, main shaft (22T, 2.970 OD).....	1	ea
07-4		G740-7374995	WG-T90A12 WO-640401	7374995	GEAR, second speed, w/BEARING, assy.....	1	ea
07-4		G179-8331733	WG-T90A2½ WO-640393	8331733	GEAR, sliding, low and reverse, S, 1.645 ID, 10 splines, 29T, 3.825 OD	1	ea
07-4		G502-7350113	WG-T88-13H WO-640395	7350113	HUB, second and high speed synchronizer.....	1	ea
07-4		G740-8376244	WG-T88-14F WO-640397	8376244	PLATE, shifting, second and high speed synchronizer.....	3	ea
07-4		G740-7374996	WG-4653 WO-640431	7374996	RING, blocking, second and high speed synchronizer.....	2	ea
07-3	H12	H012-0712420		712420	RING, snap, second and high speed synchronizer hub (1 <sup>15</sup> / <sub>64</sub> ID)	1	ea
					ROLLER, needle bearing, MIL-STD-CODE 999-59168- 0000, spherical ends, 0.2188 diam, 0.750 lgh (main shaft pilot bearings) (in main drive gear)	14	ea

(1) ILLUSTRATION NO.	(2) REFER- ENCE SYMBOLS	(3) ORDNANCE STOCK NO.	(4) FEDERAL STOCK NO.	(5) MFR'S PART NO.	(6) ORDNANCE PART NO.	(7) DESCRIPTION	(8) QUANTITY INCOR- PORATED IN UNIT	(9) UNIT OF ISSUE
<b>GROUP 07—TRANSMISSION—Continued</b>								
<b>0702.3—MAIN SHAFT, GEARS, BEARINGS, AND SYNCHRONIZER—Continued</b>								
07-4		G740-7374998		WG-T90A WO-640390	7374998	SHAFT, main	1	ea
07-3				WG-AT90A2 WO-640389		SHAFT, main, w/GEARS and blocking RING, assy	1	ea
07-4		G505-8376245		WG-T88-15C WO-640396	8376245	SLEEVE, second and high speed synchronizer	1	ea
07-3		G740-7374992		WG-T90A137A WO-643621	7374992	SPACER, main shaft bearing	1	ea
07-4		G505-8376246		WG-4682J WO-640394	8376246	SPRING, synchronizer	2	ea
		G740-7374999		WG-IAT90A2 1/2 WO-640391	7374999	SYNCHRONIZER, second and high speed, w/blocking RING, assy	1	ea
		G179-8331732		WG-AT90A2 1/2 WO-640392	8331732	SYNCHRONIZER, second and high speed, w/o blocking RING, assy	1	ea
<b>0702.5—COUNTERSHAFT, IDLER SHAFT, GEARS, AND SPACERS</b>								
07-3		G740-7697419		WG-T86-85 WO-640419	7697419	BEARING, bushing type, bz, 0.743 ID, 0.887 OD, 1 1/16 width (idler gear)	1	ea
07-3		G740-7697420	2520-769-7420	WG-AT90A140 WO-640413	7697420	COLLECTOR, oil, countershaft gear	1	ea
07-3	H1	H101-0571283	5305-057-1283		571283	BOLT, MACHINE, flat fil-hd, S, phos-fin, 5/16-24NF- 3 x 3/4	2	ea
07-3		G740-7697421		WG-T90A3 WO-640412	7697421	COUNTERSHAFT	1	ea
07-3		G503-0194032		WG-X1552 DGM-5201 WO-51875	8329873	GASKET, 5/16 ID, 1/2 OD, 3/32 thk (oil collector)	2	ea
07-3		G740-7697422		WG-T90A8 WO-640405	7697422	GEAR, countershaft (1.0625 ID, 4.0673 OD, 14T, 19T, 26T, 33T)	1	ea
07-3		G179-8331730		WG-T90A10 WO-640148	8331730	GEAR, reverse idler (S, 0.887 ID, 2.220 OD, 16T, 1 1/64 over all lgh)	1	ea
		G740-7697423		WG-AT90A10 WO-640417	7697423	GEAR, reverse idler, w/BEARING, assy	1	ea
07-3		G740-7697424		WG-T90A48A WO-644316	7697424	PLATE, lock, idler shaft and countershaft	1	ea

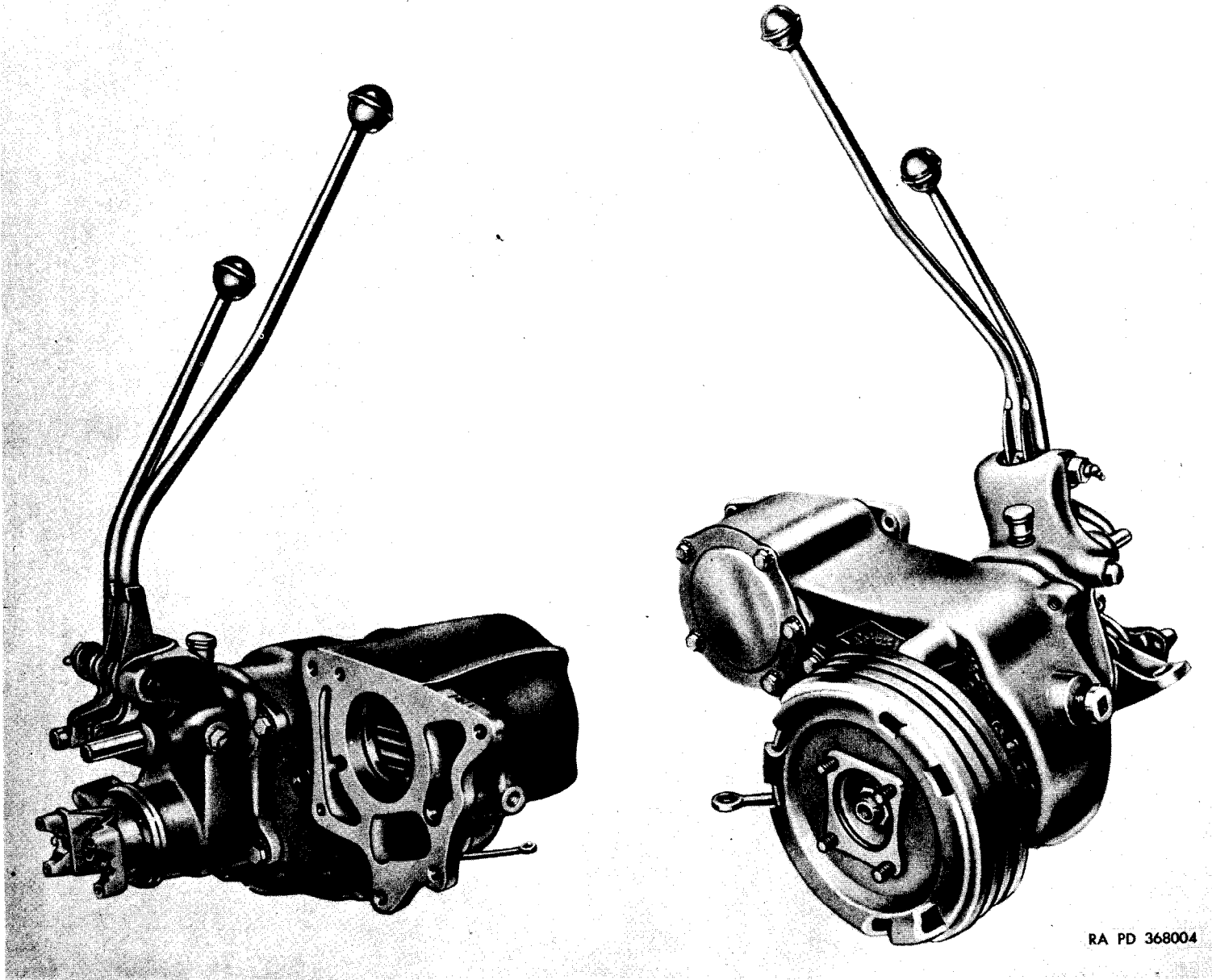
07-3	H12	H012-0712386		WG-T86-166 WO-640777	712386	ROLLER, needle, spherical, S, diam 0.125 OD, 0.750 lg (countershaft gear bearing)	88	ea	
07-3		G740-7697425		WG-T90A35 WO-640420	7697425	SHAFT, reverse idler gear	1	ea	
07-3		G740-7372667		WG-T90A28A WO-802414	7372667	SPACER, countershaft bearing	1	ea	
07-3		G740-7697428		WG-T90A30 WO-640409	7697428	WASHER, bz, $\frac{9}{64}$ ID, $2\frac{5}{8}$ OD, 0.0625 thk (thrust, countershaft, front)	1	ea	
07-3		G740-7697427		WG-T86D29 WO-640778	7697427	WASHER, countershaft bearing, S, 0.0765 ID, 0.962 OD, 0.050 thk	6	ea	
07-3		G740-7697429		WG-T90A32 WO-640410	7697429	WASHER, thrust, S, backed-bz, 0.0625 thk (countershaft, rear)	1	ea	
		G740-7697546		WG-T90A33A WO-640779	7697546	WASHER, thrust, S, 0.0555 thk (countershaft, rear)	1	ea	
07-3		G740-7697547		WG-T90A33 WO-640411	7697547	WASHER, thrust, S; 0.0625 thk (countershaft, rear)	1	ea	
<b>0704-GEAR SHIFT LEVER, SHAFTS, AND FORKS</b>									
07-2	H2	H002-0100140			104920	BALL, alloy-S, gr 2, $\frac{3}{8}$ in (poppet, gear shifter shaft)	2	ea	
07-2		G740-7032624		WG-G82 $\frac{1}{2}$ C WO-802579	7032624	BALL, fulcrum, gear shift lever	1	ea	
		G740-7697515		WO-647574	7697515	BOOT, gear shift lever (listed in subgroup 1805)	1	ea	
07-2		G740-7065900	2520-706-5900	WG-T90C-148B WO-801730	7065900	COVER, gear shift lever	1	ea	
	H1	H101-0425337	042-5337		425337	BOLT, INTEGRAL LOCK WASHER, int-tooth type, hex-hd, S, cd or zn-pltd, $\frac{5}{16}$ -18NC-2 x $\frac{7}{8}$ (used on engines through serial No. 74419)	6	ea	
07-3		G758-8329994		WG-20366S WO-635868	8329994	SCREW, hex-hd, $\frac{5}{16}$ -18 x $\frac{7}{8}$ (control housing) (used on engines after serial No. 74419)	6	ea	
07-3		G740-7032623		WO-802612	7032623	COVER, control lever, assy	1	ea	
07-2		G740-7374980		WG-T90C24 WO-642767	7374980	FORK, shifter, low and reverse speed	1	ea	
07-2		G740-7374979		WG-T90-23 WO-642766	7374979	FORK, shifter, second and high speed	1	ea	
07-2		G740-7374978		WG-4583 WO-642768	7374978	PIN, S, 0.188 diam, 0.9375 lgh under-hd, 0.250 hd diam	2	ea	
07-3		G503-0194032		WG-X1552 DGM-5201 WO-51875	8329873	GASKET, cop, $\frac{5}{16}$ ID, $\frac{1}{2}$ OD, $\frac{3}{32}$ thk (gear shift lever housing) (used w/SCREW, G758-8329994) (used on engines after serial No. 74419)	6	ea	
07-3		G740-7374977		WG-T90C115 WO-642770	7374977	GASKET, gear shift lever housing	1	ea	
07-2		G740-7374976		WG-4648 WO-801733	7374976	GASKET, gear shift lever housing cap	1	ea	
07-2		G740-7374975		WO-644233	7374975	KNOB, gear shift lever	1	ea	
07-2		G740-7374974		WG-AC90C2C WO-801731	7374974	LEVER, gear shift, w/BALL and PIN, assy	1	ea	



0704

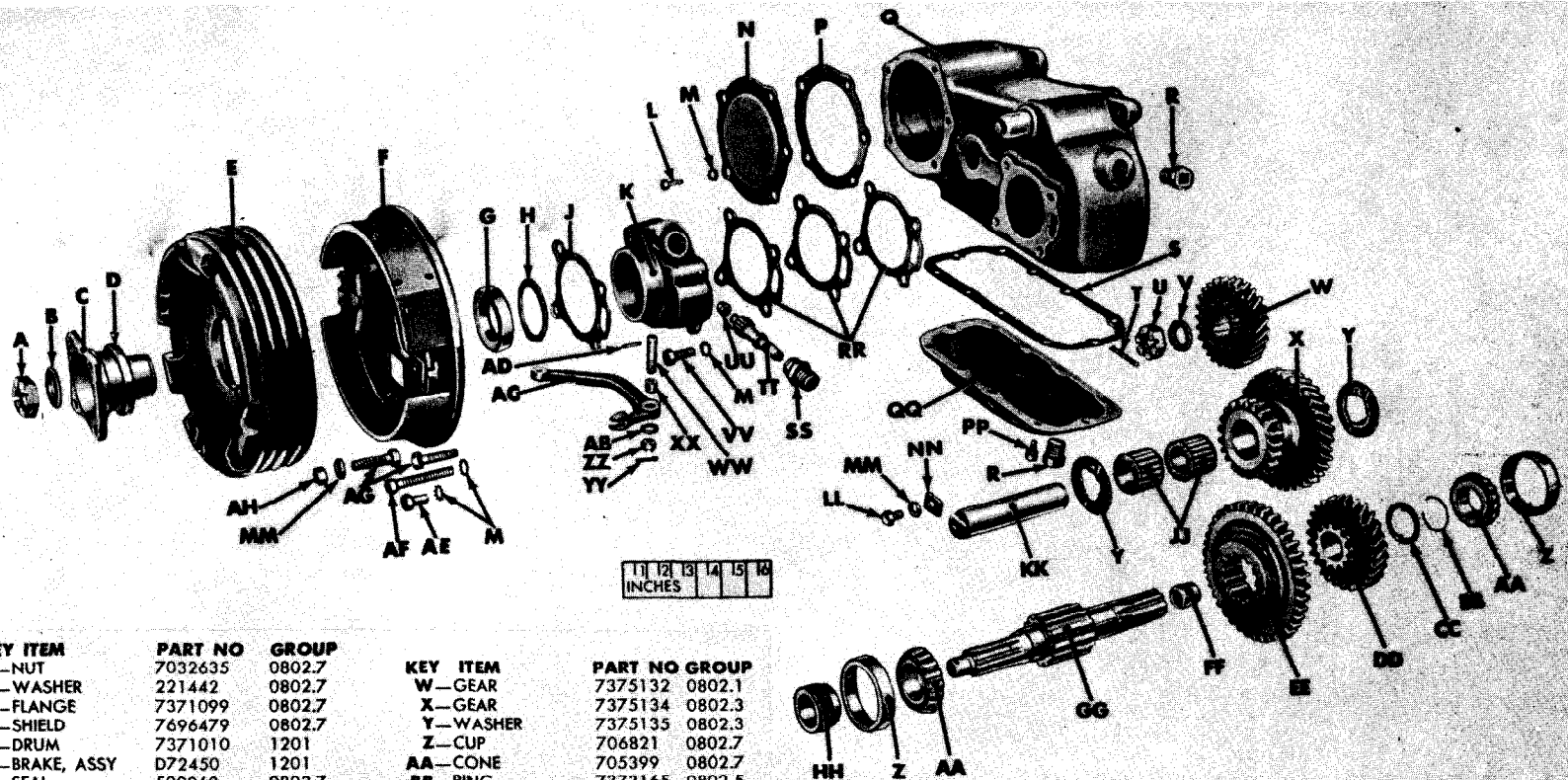
(1)	(2)	(3)	(4)	(5)	(6)	(7)	(8)	(9)
ILLUSTRATION NO.	REFERENCE SYMBOLS	ORDNANCE STOCK NO.	FEDERAL STOCK NO.	MFR'S PART NO.	ORDNANCE PART NO.	DESCRIPTION	QUANTITY INCORPORATED IN UNIT	UNIT OF ISSUE
<b>GROUP 07—TRANSMISSION—Continued</b>								
<b>0704—GEAR SHIFT LEVER, SHAFTS, AND FORKS</b>								
<b>—Continued</b>								
07-2		G503-7372456		WG-C84B12A WO-A1382	7372456	PIN, gear shift lever fulcrum ball.....	1	ea
07-2	H6	H006-0282435			501592	PLUG, expansion, S, $\frac{1}{16}$ in diam (shift rail hole).....	2	ea
07-2	H6	H006-0283755	011-3185		113185	PLUG, pipe, sq-socket, hdls, MI, plain finish, $\frac{3}{8}$ -18NPT (shift rail hole).....	2	ea
07-2		G740-7374973		WG-4572D WO-642759	7374973	PLUG, taper, $\frac{3}{8}$ in (interlock plunger hole).....	1	ea
07-2		G740-7374972		WG-T90-86 WO-642758	7374972	PLUNGER, interlock, gearshift rail.....	1	ea
07-2		G503-7372447		WG-4496K WO-A1379	7372447	RETAINER, gear shift lever housing.....	1	ea
07-2		G503-7372448		WG-4497 WO-635863	7372448	SEAT, gear shift lever spring.....	1	ea
07-2		G740-7374971		WG-T90C21 WO-642765	7374971	SHAFT, shifter, low and reverse speed gears.....	1	ea
07-2		G740-7374970		WG-T90-20 WO-642764	7374970	SHAFT, shifter, second and high speed gears.....	1	ea
07-2		G741-7351052	5340-360-7579	WG-T8B42 WO-642769	7351052	SPRING, compression, S, 0.054 diam stock, $\frac{11}{32}$ OD, 7 coils, $\frac{1}{16}$ free lgh (gear shift shaft poppet ball).....	2	ea
07-2		G740-7374969		WG-4498B WO-801732	7374969	SPRING, support, gear shift lever.....	1	ea

194



RA PD 368004

Figure 08-1. Transfer case, assy (7375083)



1	2	3	4	5	6
INCHES					

KEY ITEM	PART NO	GROUP
A—NUT	7032635	0802.7
B—WASHER	221442	0802.7
C—FLANGE	7371099	0802.7
D—SHIELD	7696479	0802.7
E—DRUM	7371010	1201
F—BRAKE, ASSY	D72450	1201
G—SEAL	500068	0802.7
H—GASKET	7373157	0802.7
J—GASKET	7539155	1201
K—RETAINER	7371373	0802.7
L—BOLT	193999	0801
M—WASHER	120930	0801
N—COVER	7369850	0801
O—GASKET	7373162	0801
Q—CASE	7375051	0801
R—PLUG	7372879	0801
S—GASKET	7375053	0801
T—PIN	120123	0802.1
U—NUT	7743652	0802.1
V—WASHER	7375131	0802.1

KEY ITEM	PART NO	GROUP
W—GEAR	7375132	0802.1
X—GEAR	7375134	0802.3
Y—WASHER	7375135	0802.3
Z—CUP	706821	0802.7
AA—CONE	705399	0802.7
BB—RING	7373165	0802.5
CC—WASHER	7371204	0802.7
DD—GEAR	7697467	0802.7
EE—GEAR	7697468	0802.7
FF—BEARING	7373115	0802.7
GG—SHAFT	8328479	0802.7
HH—GEAR	7373166	0802.7
JJ—BEARING	708234	0802.3
KK—COUNTERSHAFT	7375133	0802.3
LL—BOLT	180118	0802.3
MM—WASHER	120382	0802.3
NN—PLATE	7371213	0802.3
PP—BOLT	217233	0801
QQ—COVER	7375052	0801

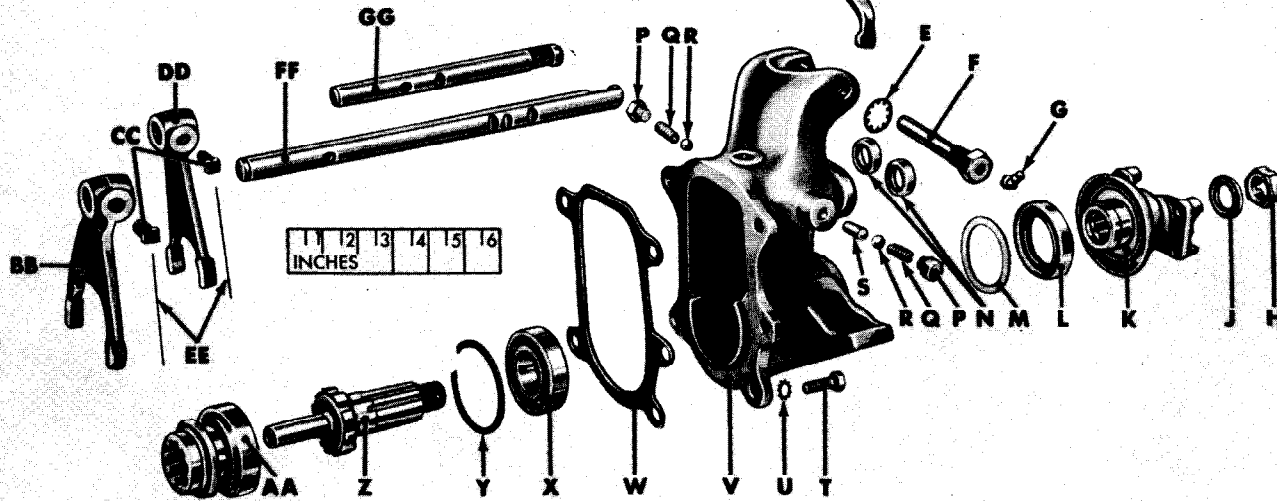
KEY ITEM	PART NO	GROUP	KEY ITEM	PART NO	GROUP
RR—SHIM	7373158	0802.7	ZZ—NUT	125348	1201
	7373159	0802.7	AB—WASHER	502204	1201
	7373160	0802.7	AC—LEVER	7697434	1201
SS—SLEEVE	8328481	2208.1	AD—PIN	112009	1201
TT—GEAR	8328480	2208.1	AE—BOLT	180132	0802.7
UU—BEARING	5167516	0802.7	AF—BOLT	180134	0802.7
VV—BOLT	180122	0802.7	AG—BOLT	7373177	1201
WW—STUD	7371859	1201	AH—NUT	121932	1201
XX—BEARING	7697430	1201			
YY—PIN	103373	1201			

RA PD 367388

Figure 08-2. Transfer case and related parts—exploded view

KEY ITEM	PART NO	GROUP
A—KNOB	7696491	0804
B—LEVER	7697470	0804
C—SPRING	7374968	0804
D—LEVER	7374966	0804
E—WASHER	180556	0804
F—PIN	7374967	0804
G—FITTING	271289	0804
H—NUT	7032635	0802.5
J—WASHER	7036380	0802.5
K—YOKE, ASSY.	8328440	0802.5
L—SEAL	500068	0802.5
M—GASKET	7373157	0802.5
N—SEAL	500007	0804
P—PLUG	7696481	0804
Q—SPRING	5214784	0804

KEY ITEM	PART NO	GROUP
R—BALL	104920	0804
S—LOCK	7373112	0804
T—BOLT	180122	0802.5
U—WASHER	120930	0802.5
V—RETAINER	7374990	0802.5
W—GASKET	7373156	0802.5
X—BEARING	700079	0802.5
Y—RING	7373185	0802.5
Z—SHAFT	8677510	0802.5
AA—GEAR	7371212	0802.5
BB—FORK	7373116	0804
CC—SCREW	5214776	0804
DD—FORK	7373117	0804
EE—WIRE	22W-1631-110	0804
FF—SHAFT	7373119	0804
GG—SHAFT	7373118	0804



(1) ILLUSTRATION NO.	(2) REFER- ENCE SYMBOLS	(3) ORDNANCE STOCK NO.	(4) FEDERAL STOCK NO.	(5) MFR'S PART NO.	(6) ORDNANCE PART NO.	(7) DESCRIPTION	(8) QUANTITY INCOR- PORATED IN UNIT	(9) UNIT OF ISSUE
<b>GROUP 08—TRANSFER</b>								
<b>0800—TRANSFER ASSEMBLY</b>								
	H1	G503-7371759 H001-4167681	5305-737-1759 012-0371	WO-A147	7371759 120371	BOLT, hex-hd, S, 1/2-20NC x 3 (transfer case support)	1	ea
	H1	H001-7043801	5310-012-0396		120396	NUT, PLAIN, HEXAGON, lt, s-fin, S, cd or zn-pltd, 1/2-20NF-2	1	ea
	H1	H001-7025801	5310-012-0384		120384	WASHER, flat, S, cd or zn-pltd, 17/32 ID, 1 1/16 OD, 0.095 thk	1	ea
	H1	G503-7371037		WO-A6740	7371037	WASHER, LOCK, med, S, cd or zn-pltd, 1/2 in	1	ea
07-3		G740-7372878		WO-644122	7372878	CUP, retaining, case support insulator	1	ea
		G740-7375081		WO-801043	7375081	GASKET, transfer case to transmission	1	ea
		G740-7375082		WO-801042	7375082	INSULATOR, case support	1	ea
08-1		G740-7375083	2520-737-5083	SP-002193	7375083	SNUBBER, case support insulator	1	ea
				WG-AS3J2A WO-800174		TRANSFER, w/BRAKE, assy	1	ea
	H1	H001-5420561	012-0233		120233	BOLT, MACHINE, hex-hd, S, cd or zn-pltd, 3/8- 16NC-3 x 1	1	ea
	H1	H001-5420581	012-2138		122138	BOLT, MACH, hex-hd, S, cd or zn-pltd, 3/8-16NC- 3 x 1 1/8	4	ea
	H1	H001-7025741	5310-012-0382		120382	WASHER, LOCK, med, S, cd or zn-pltd, 3/8 in (used on vehicles through serial No. 56212)	5	ea
	H1	H001-7017685	5310-012-0930		120930	WASHER, LOCK, S, phos-fin, style No. 1, 0.67 OD, 3/8 in bolt size (used on vehicles after serial No. 56212)	5	ea
		G503-7324850		WO-634762	7324850	WASHER, plain, S, 2 1/32 ID, 1 1/2 OD, 1/16 thk (case sup- port mounting) (superseded by WASHER, H001- 1530013)	1	ea
	H1	H001-1530013	5310-010-3345		103345	WASHER, plain, S, 2 1/32 ID, 1 3/16 OD, 3/32 thk (case sup- port mounting) (supersedes WASHER, G503-7324850)	1	ea
<b>0801—CASE AND COVERS</b>								
08-2		G740-7375051		SP-18-15-18 WG-J2A1 WO-644319	7375051	CASE, transfer	1	ea
08-2		G740-7375052	2520-737-5052	SP-7906X WG-IAJ2A-1 1/2 WO-801328	7375052	COVER, bottom	1	ea
08-2	H1	H101-0217233	021-7233		217233	BOLT, INTEGRAL LOCK WASHER, hex-hd, S, plain finish, 5/16-18NC-2 x 3/4	10	ea

08-2		G740-7369850	2520-736-9850	SP-18-267-5 WG-J2A48A WO-802088	7369850	COVER, rear.....	1	ea
	H1	H101-0443608	044-3608		443608	BOLT, INTEGRAL LOCK WASHER, hex-hd, S, plain finish, $\frac{3}{8}$ -16NC-2 x $\frac{3}{4}$ (superseded by BOLT, 122119)	5	ea
	H1	H001-5420521	012-2119		122119	BOLT, MACH, hex-hd, S, cd or zn-pltd, $\frac{3}{8}$ -16NC-3 x $\frac{3}{4}$ (supersedes BOLT, H101-0443608) (for service use BOLT, 193999)	5	ea
08-2	H1	H001-1013030	019-3999	WG-20348S	193999	BOLT, MACH, hex-hd, S, $\frac{3}{8}$ -16NC-2 x $\frac{3}{4}$ (for service only)	5	ea
08-2	H1	H001-7017685	5310-012-0930		120930	WASHER, LOCK, S, phos-finish, style No. 1, 0.67 OD, $\frac{3}{8}$ in bolt size (used on vehicles after serial No. 56212)	5	ea
08-2		G740-7375053		SP-18-155-2 WG-J2-57 WO-A-954	7375053	GASKET, bottom cover.....	1	ea
08-2; 20-4, 5		G503-7373162		SP-18-324-2 WO-A1509	7373162	GASKET, rear cover.....	1	ea
08-2		G740-7372879		SP-18-39-3 WG-4646A WO-801660	7372879	PLUG, sq, pipe, ck-hd, MI, $\frac{1}{2}$ in (drain and filler).....	2	ea
<b>0802.1—INPUT SHAFT</b>								
08-2		G740-7375132		SP-18-8-19 WG-J2A11 WO-A10469	7375132	GEAR, input (26T) (transmission main shaft).....	1	ea
07-3; 08-2		G503-7743652		WG-T9-50P WO-A520	7743652	NUT, sp, hex, S, $\frac{7}{8}$ -16NC-2.....	1	ea
	H1	H001-0811053	010-3386		103386	PIN, COTTER, split, S, $\frac{1}{8}$ x $1\frac{1}{4}$ (superseded by PIN, 120123)	1	ea
07-3; 08-2	H1	H001-4417741	012-0123		120123	PIN, COTTER, split, S, pltd, $\frac{1}{8}$ x $1\frac{1}{4}$ (supersedes PIN, 103386)	1	ea
07-3; 08-2		G740-7375131		WG-T84J50 $\frac{1}{2}$ A WO-A1410	7375131	WASHER, plain, $2\frac{9}{32}$ ID, $1\frac{1}{16}$ OD, $\frac{5}{32}$ thk.....	1	ea
<b>0802.3—COUNTERSHAFT</b>								
08-2	H12	H012-0708234			708234	BEARING, roller, journal, MIL-STD-CODE 341-01854-0000 (solid rollers, no races, type 2, 1.1250 shaft diam, 1.6250 housing bore, 1.3750 operating space) (countershaft)	2	ea
08-2		G740-7375133		SP-18-187-4 WG-J2A35 WO-642188	7375133	COUNTERSHAFT.....	1	ea
08-2		G740-7375134		SP-18-5-7 WG-J2A10A WO-642189	7375134	GEAR, countershaft (34T-21T).....	1	ea

(1)	(2)	(3)	(4)	(5)	(6)	(7)	(8)	(9)
ILLUSTRATION NO.	REFERENCE SYMBOLS	ORDNANCE STOCK NO.	FEDERAL STOCK NO.	MFR'S PART NO.	ORDNANCE PART NO.	DESCRIPTION	QUANTITY INCORPORATED IN UNIT	UNIT OF ISSUE
<b>GROUP 08—TRANSFER—Continued</b>								
<b>0802.3—COUNTERSHAFT—Continued</b>								
08-2		G503-7371213		SP-31-246-2 WG-J2-36 WO-A1001	7371213	PLATE, lock	1	ea
08-2	H1	H001-5454481	018-0118		180118	BOLT, MACH, hex-hd, S, 85,000 psi yield strength, cd or zn-pltd, $\frac{3}{8}$ -16NC-3 x $\frac{5}{8}$	1	ea
08-2	H1	H001-7025741	012-0382		120382	WASHER, LOCK, med S, cd or zn-pltd, $\frac{3}{8}$ in (intermediate shaft lock plate screw)	1	ea
08-2		G740-7375135		SP-884W WG-J2B30 WO-642191	7375135	WASHER, thrust, countershaft gear	2	ea
<b>0802.5—FRONT AXLE OUTPUT SHAFT</b>								
08-3	H12	H012-1303030			700079	BEARING, ball, MIL-STD-CODE 111-03002-0000 (rad) SR, light, non-loading groove, 1.1811 bore, 2.4409 OD, 0.6299 width) (output clutch shaft)	1	ea
				SP-2-4-1421 WG-4714C WO-807695		FLANGE, propeller shaft to transfer	1	ea
08-3		G503-7373156		SP-18-223-2 WG-J2-60 WO-A957	7373156	GASKET, front bearing cap	1	ea
08-3		G503-7373157		SP-18-223-3 WG-J2-33 WO-A1134	7373157	GASKET, front bearing cap oil seal	1	ea
08-3		G503-7371212		SP-18-466-1 WG-J2-15 WO-A992	7371212	GEAR, clutch, 10 int-teeth, 1.088 bore, 1.755 face, 2.311 OD	1	ea
08-3		G740-7374990		SP-18-19-32 WG-J2-49A WO-801183	7374990	RETAINER, front bearing	1	ea
08-3	H1	H001-5454561	018-0122		180122	BOLT, MACH, hex-hd, S, 85,000 psi yield strength, cd or zn-pltd, $\frac{3}{8}$ -16NC-3 x 1	5	ea
08-3	H1	H001-7017685	5310-012-0930		120930	WASHER, LOCK, S, phos finish, style No. 1, 0.67 OD, $\frac{3}{8}$ in bolt size	5	ea
08-3		G503-7373185		SP-22-381-19 WO-A976	7373185	RING, snap, clutch gear shaft bearing (optional w/RING WG-R6A7 $\frac{1}{2}$ )	1	ea

08-2		G503-7373165		WG-R6A7½ WO-639429		RING, snap, clutch gear shaft bearing (optional w/RING, G503-7373185)	1	ea
				SP-18-381-2 WG-J2-32 WO-A991	7373165	RING, snap, thrust washer	1	ea
08-3	H13	H013-0500068			500068	SEAL, oil, type ML, 1⅞ x 2.506 x ½ (output shaft front)	1	ea
		G503-7373164		SP-18-362-3 WO-A975	7373164	SHAFT, clutch gear (for service use SHAFT, G758-8329674) (superseded by SHAFT, 8677510)	1	ea
		G758-8329674		WO-807892	8329674	SHAFT, output, w/NUT and LOCKWASHER, assy (for service only)	1	ea
					7032635 8677510 7036380	Composed of: 1 NUT 1 SHAFT 1 WASHER		
08-3				SP-18-362-7 WG-J2A-3 WO-806037	8677510	SHAFT, transfer case output clutch (supersedes SHAFT, G503-7373164) (for service use SHAFT, G758-8329674)	1	ea
		G503-7696479	2530-769-6479	SP-715W WO-A979	7696479	SHIELD, dust (companion flange, frt)	1	ea
		G503-7696494	2520-769-6494	SP-5962X WG-AJ2-16 WO-A1111	7696494	SHIELD, dust, w/SLINGER, assy (front yoke)	1	ea
					7696479 7371371	Composed of: 1 SHIELD 1 SLINGER		
		G503-7371371	2520-495-9524	SP-712W WG-J2-17 WO-A978	7371371	SLINGER, dust, companion flange and front yoke	1	ea
08-3		G758-8328440		SP-2-4-88X WG-A4714C WO-A1106	8328440	YOKE, front propeller shaft to transfer, w/SHIELD, assy	1	ea
		G503-7696464		SP-124J WO-A980	7696464	NUT, hex, S, ¾-20NF-3 (superseded by NUT, H101-7032635)	1	ea
08-3	H1	H101-7032635			7032635	NUT, SAFETY, hex, sltd, ("huglock" type), ¾-16NF-2 (supersedes NUT, G503-7696464 and PIN 120123)	1	ea
		H101-4417741	012-0123		120123	PIN, cotter, split, S, pltd, ⅛ x 1¼ (superseded by NUT, H101-7032635)	1	ea
08-3	H1	H1001-7036380		SP-145W WG-J2-50½ WO-A1028	7036380	WASHER, sp, flat, ¾ in	1	ea
						<b>0802.7-REAR AXLE OUTPUT SHAFT</b>		
08-2		G503-7373115		SP-18-24-1 WG-J2-27 WO-A987	7373115	BEARING, bushing type, bz 0.627 ID, 0.750 OD, 0.930 width (pilot output clutch gear shaft)	1	ea



0802.7

(1) ILLUSTRATION NO.	(2) REFERENCE SYMBOLS	(3) ORDNANCE STOCK NO.	(4) FEDERAL STOCK NO.	(5) MFR'S PART NO.	(6) ORDNANCE PART NO.	(7) DESCRIPTION	(8) QUANTITY INCORPORATED IN UNIT	(9) UNIT OF ISSUE
<b>GROUP 08—TRANSFER—Continued</b>								
<b>0802.7—REAR AXLE OUTPUT SHAFT—Continued</b>								
08-2		G742-5167516		SP-475-2 WG-T54A172A WO-A985	5167516	BEARING, bushing type, S, 0.2550 ID, 0.3145 OD, $1\frac{11}{32}$ width (speedometer driven gear)	1	ea
08-2	H12	H012-6136260		TIM-14131 SP-500-14131-6 WO-51575	705399	CONE, tapered roller bearing, MIL-STD-CODE 711-14131-3000 (includes rollers and cage, SR, 1.3125 bore, 0.7710 width) (bearing)	2	ea
08-2	H12	H012-6217320		TIM-14276 SP-510-14276-6 WO-52883	706821	CUP, tapered roller bearing, MIL-STD-CODE 711-14276-1000 (SR, 2.7170 OD, 0.625 width) (bearing)	2	ea
08-2		G503-7371099		SP-2-1-1191 WO-A996	7371099	FLANGE, companion, rear	1	ea
		G503-7371035	2520-737-1035	SP-2-1-68X WG-1A4713 WO-116714	7371035	FLANGE, companion, rear, assy Composed of:	1	ea
		G503-7696464	5310-769-6464	SP-124J WO-A980	7371099 7696479 7696464	1 FLANGE 1 SHIELD NUT, SLOTTED, HEXAGON, S, $\frac{3}{4}$ -20NF-3 (superseded by NUT, H101-7032635)	1	ea
08-2	H1	H101-7032635			7032635	NUT, SAFETY, sld, "huglock" type, $\frac{3}{4}$ -16NF-2 (supersedes NUT, G503-7696464 and PIN, 120123)	1	ea
	H1	H001-4417741	012-0123		120123	PIN, COTTER, split, S, pltd, $\frac{1}{8}$ x $1\frac{1}{4}$ (superseded by NUT, H101-7032635)	1	ea
		G740-7372868		SP-145W WG-J2-50 $\frac{1}{2}$ WO-A1028	7372868	WASHER, flat, $\frac{3}{4}$ in (superseded by WASHER, 221442)	1	ea
08-2		H001-7036380	5310-022-1442		221442	WASHER, flat, $\frac{3}{4}$ in (supersedes WASHER, G740-7372868)	1	ea
08-2		G503-7373157		SP-18-223-3 WG-J2-33 WO-A1134	7373157	GASKET, bearing cap oil seal, rear	1	ea
08-2		G503-7373166		SP-18-452-2 WG-J2-169 WG-J2-169A WO-A1511	7373166	GEAR, drive, speedometer (4T, 1.775 OD)	1	ea
08-2		G740-7697467		SP-18-8-18 WG-J2A8 WO-A15044	7697467	GEAR, helical (26T, 3.961 OD)	1	ea

202

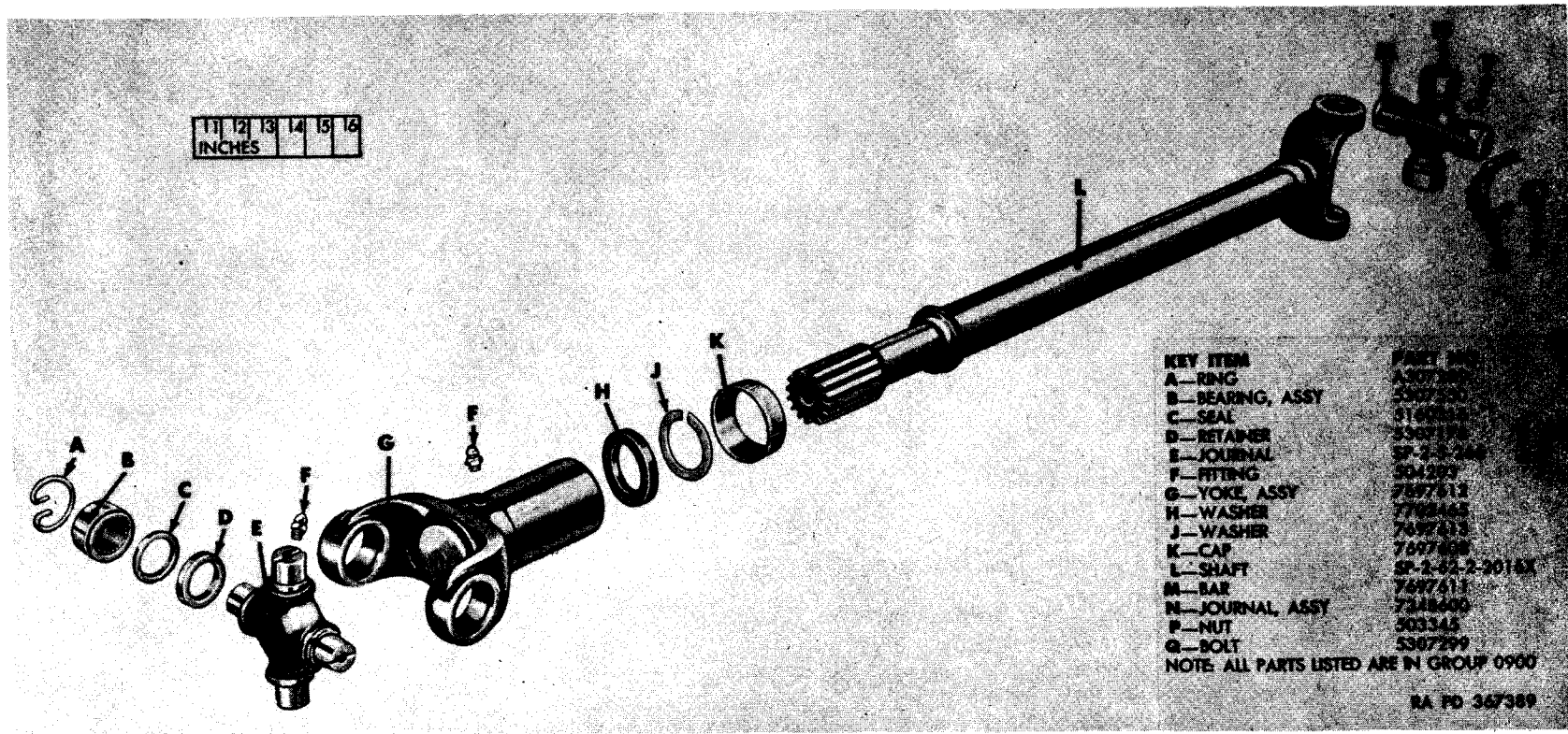
08-2		G740-7697468		SP-18-8-17 WG-J2A12 WO-A15045	7697468	GEAR, sliding (39T, 5.757 OD).....	1	ea
				WG-4780 WO-805877		PIN, roll, No. 125 $\frac{1}{8}$ x $\frac{3}{4}$ (bearing cap).....	1	ea
08-2		G503-7371373	2520-737-1373	SP-6507X WG-AJ2A7 WO-A9330	7371373	RETAINER, rear, w/BEARING, assy.....	1	ea
08-2; 12-1	H1	H001-5454561	018-0122		180122	BOLT, MACHINE, hex-hd, S, 85,000 psi yield strength, cd or zn-pltd, $\frac{3}{8}$ -16NC-3 x 1 (rear bearing cap to case)	1	ea
08-2	H1	H001-5454481	018-0118		180118	BOLT, MACHINE, hex-hd, S, 85,000 psi yield strength, cd or zn-pltd, $\frac{3}{8}$ -16NC-3 x $\frac{5}{8}$ (brake backing plate to rear bearing cap)	1	ea
08-2; 12-1	H1	H001-5454761	018-0132		180132	BOLT, MACHINE, hex-hd, S, 85,000 psi yield strength, cd or zn-pltd, $\frac{3}{8}$ -16NC-3 x 2 $\frac{1}{4}$ (rear bearing cap and brake backing plate to case)	1	ea
08-2; 12-1	H1	H001-5454781	018-0134		180134	BOLT, MACHINE, hex-hd, S, 85,000 psi yield strength, cd or zn-pltd, $\frac{3}{8}$ -16NC-3 x 2 $\frac{1}{2}$ (rear bearing cap and brake backing plate to case)	2	ea
08-2; 12-1	H1	H001-7017685	5310-012-0930		120930	WASHER, LOCK, S, phos-finish, style No. 1, 0.67 OD, $\frac{3}{8}$ in bolt size	5	ea
				WG-J2A7 SP-18-19-28 WO-A9341		RETAINER, rear axle output shaft.....	1	ea
08-2	H13	G758-8830158 H013-0500068		SP-330152	8331793 0500068	SEAL, felt.....	1	ea
				SP-18-362-6 WG-J2A4 WO-806038		SEAL, oil, type ML, 1 $\frac{1}{16}$ x 2.504 x $\frac{1}{2}$ .....	1	ea
				SP-18-362-6 WG-J2A4 WO-806038		SHAFT, output.....	1	ea
		G503-7371209	2520-737-1209	SP-5866X WO-A1764	7371209	SHAFT, output, w/BEARING, assy (for service use SHAFT, G503-7036544) (superseded by SHAFT, 8677509)	1	ea
				SP-310057X WO-806036	8677509	SHAFT, output, w/BEARING, assy (for service use SHAFT, G758-8328479) (supersedes SHAFT, G503-7371209)	1	ea
		G503-7036544		WO-A8841	7036544	SHAFT, output, w/NUT and WASHER, assy (for service only) (superseded by SHAFT, G758-8328479)	1	ea
08-2		G758-8328479		WO-807767	8328479	SHAFT, output, w/NUT and lock WASHER, assy (for service only) (supersedes SHAFT, G503-7036544)	1	ea
08-2		G503-7696479	2530-769-6479	SP-715W WG-J2-16 WO-A979	7696479	SHIELD, dust, companion flange.....	1	ea

0802.7

(1) ILLUSTRATION NO.	(2) REFERENCE SYMBOLS	(3) ORDNANCE STOCK NO.	(4) FEDERAL STOCK NO.	(5) MFR'S PART NO.	(6) ORDNANCE PART NO.	(7) DESCRIPTION	(8) QUANTITY INCORPORATED IN UNIT	(9) UNIT OF ISSUE
<b>GROUP 08—TRANSFER—Continued</b>								
<b>0802.7—REAR AXLE OUTPUT SHAFT—Continued</b>								
08-2		G503-7373158	2520-737-3158	SP-18-228-7 WG-J2-59 WO-A982	7373158	SHIM, bearing cap 0.003.....	2	ea
08-2		G503-7373159		SP-18-228-8 WG-J2-59A WO-A983	7373159	0.010.....	2	ea
08-2		G503-7373160	2520-737-3160	SP-18-228-9 WG-J2-59B WO-A984	7373160	0.031.....	2	ea
08-2		G503-7371204		SP-710W WG-J2-30 WO-A990	7371204	WASHER, thrust.....	1	ea
<b>0804—SHIFTER SHAFTS, FORKS, AND GEAR SHIFT HAND LEVERS</b>								
08-3	H2	H002-0100140			104920	BALL, alloy-S, gr 2, 3/8 in (poppet, shifter shaft).....	2	ea
	H16	H016-0504205	050-4205		504205	FITTING, lubr, hydraulic type, angle 45 deg, 1/4-28NF-3/16, male, overall lgh 7/8 in (shift lever pivot pin) (superseded by FITTING, 271289)	1	ea
08-3					271289	FITTING, lubr, hydraulic type, angle 45 deg, 1/4-28NF-taper thd, male (shift lever pivot pin) (supersedes FITTING, H016-0504205)	1	ea
08-3		G503-7373117		SP-18-66-7 WG-J2-24 WO-A960	7373117	FORK, shifter, output clutch gear.....	1	ea
08-3		G503-7373116		SP-18-66-1 WG-J2-23 WO-A959	7373116	FORK, shifter, output shaft sliding gear.....	1	ea
08-3		G503-5214776		SP-745-D WG-4418N WO-A963	5214776	SCREW, set, S, 3/8-24NF x 0.72 (dld-hd).....	2	ea
08-3	H9	H009-0102230			22-W-1631 -110	WIRE, S, carbon, low, annealed, soft, black, diam 0.0625 in (pivot pin set screw)	†	lb
08-3		G503-7696491		SP-39Q20 WG-J2-83 WO-A971	7696491	KNOB, gear shift lever.....	2	ea

204

08-3		G740-7697470		SP-25Q1250 WG-J2A80A WO-801330	7697470	LEVER, gear shift, direct and underdrive.....	1	ea
08-3		G740-7374966		SP-25Q1251 WG-J2A81A WO-801331	7374966	LEVER, gear shift, front wheel drive.....	1	ea
08-3		G503-7373112		SP-18-12-1 WG-J2-86 WO-A965	7373112	LOCK, gear shifter shaft.....	1	ea
08-3		G740-7374967		SP-471SP WG-J2A85 WO-800818	7374967	PIN, pivot, gear shift lever.....	1	ea
08-3	H1	H101-0180556	018-0556		180556	WASHER, LOCK, int-teeth, heavy, S, cd or zn-pltd, 5/8 in	1	ea
08-3		G503-7696481		SP-854D WG-J2-155 WO-A967	7696481	PLUG, hex-hd, 7/16-20NF-3 x 5/16, shifter shaft poppet ball spring	2	ea
08-3	H13	H013-0500007			500007	SEAL, oil, type ML, 5/8 x 1.128 x 3/8 (gear shifter shaft)...	2	ea
08-3		G503-7373118		SP-18-67-2 WG-J2-21 WO-A962	7373118	SHAFT, shifter, clutch gear fork.....	1	ea
08-3		G503-7373119		SP-18-67-5 WG-J2-20 WO-A1504	7373119	SHAFT, shifter, sliding gear fork.....	1	ea
08-3		G740-7374968		SP-97Q14 WG-J2A82 WO-801332	7374968	SPRING, gear shift lever.....	2	ea
08-3		G503-5214784		SP-22-72-5 WG-J2-42 WO-A966	5214784	SPRING, shifter shaft poppet ball.....	2	ea



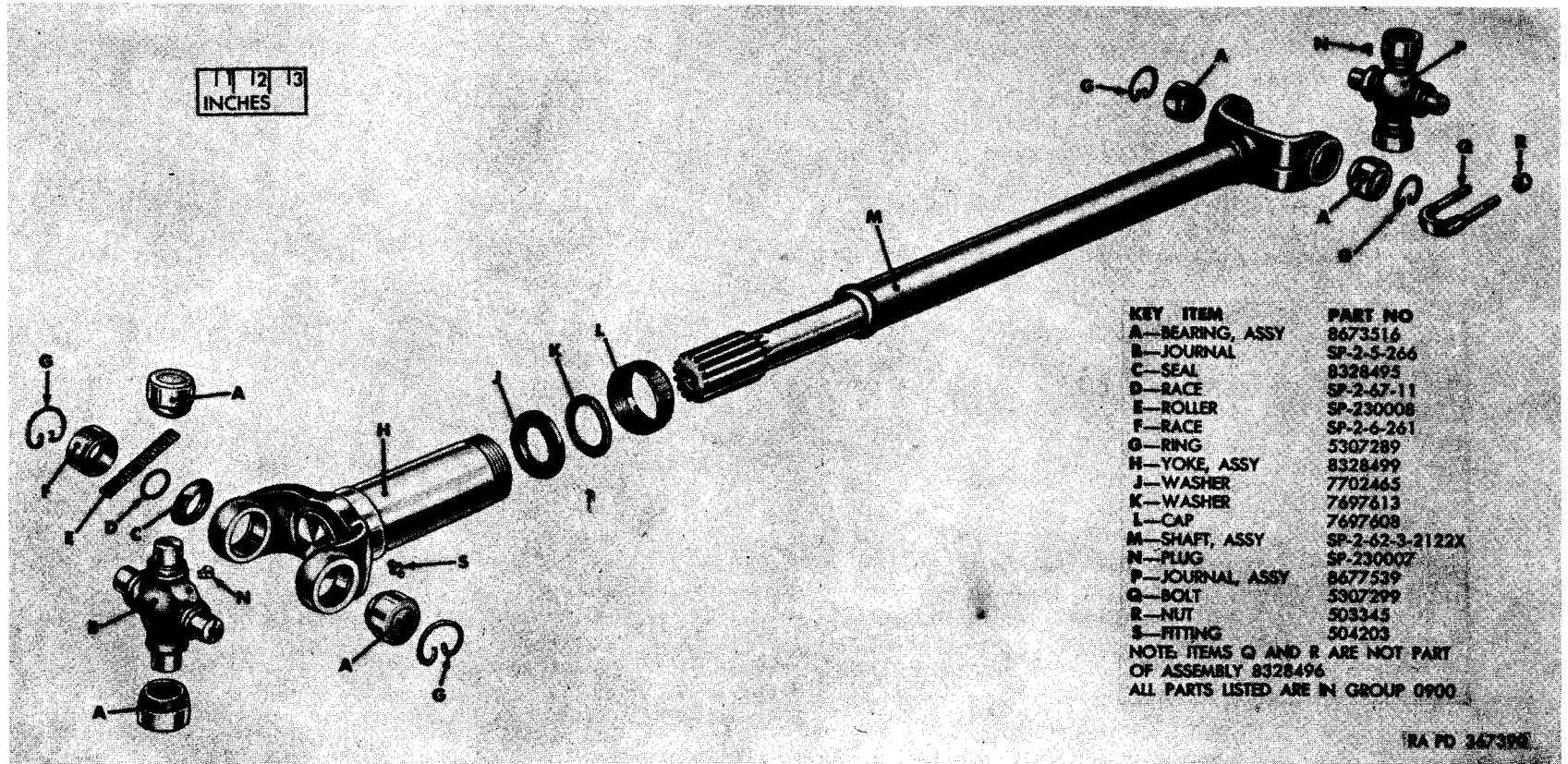


Figure 09-2. Propeller shaft, rear, assy (8328497)—exploded view

(1)	(2)	(3)	(4)	(5)	(6)	(7)	(8)	(9)
ILLUSTRATION NO.	REFERENCE SYMBOLS	ORDNANCE STOCK NO.	FEDERAL STOCK NO.	MFR'S PART NO.	ORDNANCE PART NO.	DESCRIPTION	QUANTITY INCORPORATED IN UNIT	UNIT OF ISSUE
<b>GROUP 09—PROPELLER SHAFT AND UNIVERSAL JOINTS</b>								
<b>0900—PROPELLER SHAFT AND UNIVERSAL JOINTS</b>								
09-1		G740-7697611	2520-769-7611	SP-2-95-39 WO-802311	7697611	BAR, tie, universal joint ((2) used w/SHAFT, G740-7697610; (1) used w/SHAFT, G740-7697609)	3	ea
09-1		G742-5307550	3110-530-7550	SP-2-6-78X WO-A1434	5307550	BEARING, ROLLER NEEDLE, universal joint, assy ((8) used w/SHAFT, G740-7697610; (8) used w/SHAFT, G740-7697609)	16	ea
09-2				SP-2-6-118X WO-807779	8673516	BEARING, universal joint, assy (used w/SHAFT, G758-8328497)	8	ea
09-1, 2		G085-5307299	5305-530-7299	SP-2-94-29 WO-A490	5307299	BOLT, "U", S, $\frac{5}{16}$ -24NF-3, universal joint bearing	6	ea
09-1, 2	H1	H001-4040521	050-3345		503345	NUT, SELF-LOCKING, HEXAGON, cd or zn-pltd, $\frac{5}{16}$ -24NF-3 (critical installation)	12	ea
09-1, 2		G740-7697608		SP-2-14-19 WO-113373	7697608	CAP, dust, sleeve yoke ((1) used w/SHAFT, G740-7697610; (1) used w/SHAFT, G740-7697609; (1) used w/SHAFT, G758-8328497)	3	ea
09-1, 2	H16	H016-0504203	050-4203	SP-2-6-181 WO-A1425	504203	CAP, universal joint bearing ((8) used w/SHAFT, G740-7697610; (8) used w/SHAFT, G740-7697609)	16	ea
09-1, 2				SP-2-5-266 WO-A1427		FITTING, LUBRICATION, hyd type, style No. 1, S, cd or zn-pltd, $\frac{1}{4}$ -28NF, male (ball check valve) ((3) used w/SHAFT, G740-7697610; (3) used w/SHAFT, G740-7697609; (1) used w/SHAFT, G758-8328497)	7	ea
09-1, 2		G179-5307552		SP-2-5-198X WO-A1426	5307552	JOURNAL, universal joint ((2) used w/SHAFT, G740-7697610; (2) used w/SHAFT, G740-7697609)	4	ea
09-1		G740-7348600	2520-734-8600	WO-802600	7348600	JOURNAL, universal joint w/BEARING and tie BAR, assy ((2) used w/SHAFT, G740-7697610; (1) used w/SHAFT, G740-7697609)	3	ea
				SP-2-5-298X WO-807780	8673517	JOURNAL, universal joint, rear, assy (used w/SHAFT, G758-8328497 for service)	2	ea
				SP-2-5-266 SP-230007		Composed of: 1 JOURNAL 1 PLUG		
09-2				WO-807781	8677539	JOURNAL, universal joint, w/BEARING and tie BAR, assy	3	ea

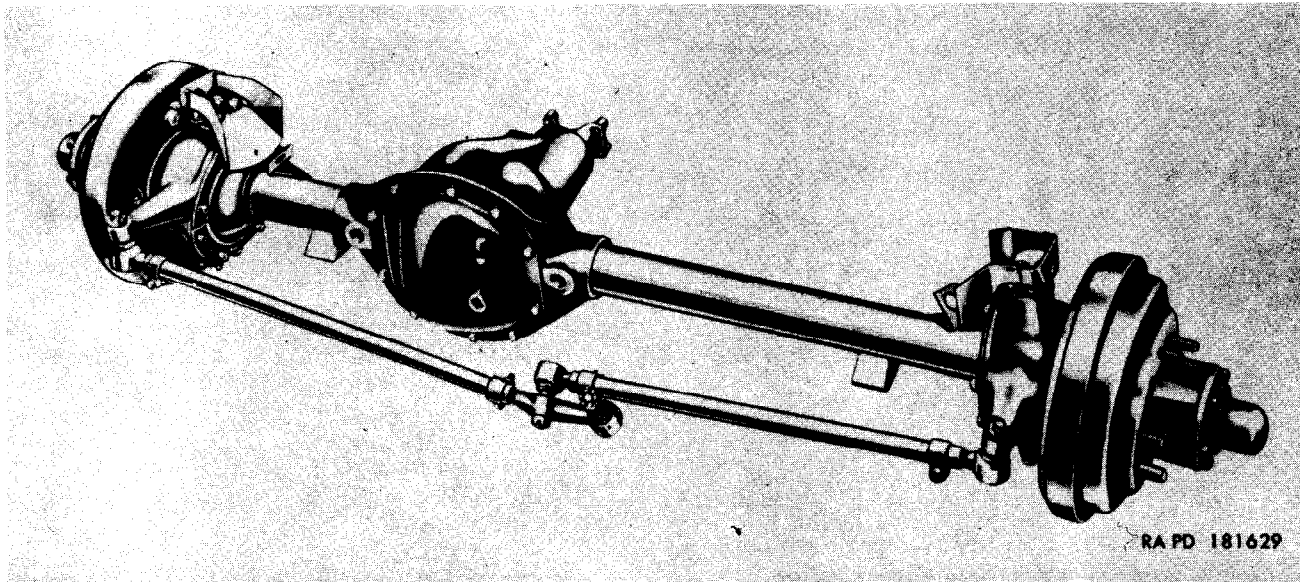
09-2			SP-230007 WO-119752		PLUG, universal joint journal (used w/SHAFT, G758-8328497 for service)	2	ea
09-2			SP-2-6-261 WO-119731		RACE, needle bearing, outer, universal joint (used w/SHAFT, G758-8328497)	16	ea
09-2			SP-2-67-11 WO-119733		RACE, universal joint bearing (used w/SHAFT, G758-8328497)	8	ea
09-1	G503-5307178		SP-2-76-17 WO-A940	5307178	RETAINER, universal joint journal gasket ((8) used w/SHAFT, G740-7697610; (8) used w/SHAFT, G740-7697609)	16	ea
09-1, 2	G503-5307289		SP-2-7-29 WO-A945	5307289	RING, SNAP, universal joint journal bearing ((4) used w/SHAFT, G740-7697610; (6) used w/SHAFT, G740-7697609; (8) used w/SHAFT, G758-8328497)	18	ea
09-2			SP-230008 WO-119732		ROLLER, universal joint bearing (rear) (used w/SHAFT, G758-8328497)	368	ea
			SP-98-851 WO-A946		ROLLER, universal joint bearing ((184) used w/SHAFT, G740-7697609; (184) used w/SHAFT, G740-7697610)	368	ea
	G758-8333061		SP-2-16-93 WO-120127	8333061	SEAL, PLAIN, 0.963 ID, 1.562 OD, 0.219 thk (used w/SHAFT, G758-8328497 for service)	1	ea
09-2	G758-8328495		SP-2-86-69 WO-807801	8328495	SEAL, ru, shaft bearing (used w/SHAFT, G758-8328497 for service)	8	ea
09-1	G508-5160316		SP-3-86-89 WO-A941	5160316	SEAL, universal joint journal ((8) used w/SHAFT, G740-7697609; (8) used w/SHAFT, G740-7697610)	16	ea
09-1			SP-2-62-2-2016X WO-118513		SHAFT, front (welded) (used w/SHAFT, G740-7697610 with yoke)	1	ea
09-1	G740-7697610		SP-10253-1-SF WO-800125	7697610	SHAFT, front, w/universal JOINTS, assy.....	1	ea
09-2			SP-2-62-3-2122X WO-119706		SHAFT, propeller, sub-assy (used w/SHAFT, G758-8328497)	1	ea
			SP-2-60-20-1519X WO-119705		SHAFT, rear, assy (used w/SHAFT, G758-8328497) (superseded by SHAFT, WO-118516)	1	ea
			SP-2-60-20-1519X WO-118516		SHAFT, rear, assy ((1) used w/SHAFT, G740-7697609; (1) used w/SHAFT, G758-8328497) (supersedes SHAFT, WO-119705)	2	ea
	G740-7697609		SP-10391-1SF WO-801675	7697609	SHAFT, rear, w/universal JOINTS, assy (for service use SHAFT, G758-8328497)	1	ea
09-2	G758-8328497		SP-200122-1 WO-807690	8328497	SHAFT, rear, w/universal JOINTS, assy (for service only)	1	ea
09-1, 2	G503-7702465		SP-2-16-53 WO-A943	7702465	WASHER, cork, split, 1 ID, 1 <sup>37</sup> / <sub>64</sub> OD, 5 <sup>1</sup> / <sub>16</sub> thk (packing, sliding yoke) ((1) used w/SHAFT, G740-7697609; (1) used w/SHAFT, G740-7697610)	2	ea
09-1, 2	G740-7697613		SP-2-15-13 WO-113387	7697613	WASHER, split, 1.035 ID, 1.505 OD, 0.036 thk (sleeve yoke) ((1) used w/SHAFT, G740-7697609; (1) used w/SHAFT, G740-7697610; (1) used w/SHAFT, G758-8328497)	3	ea



0900

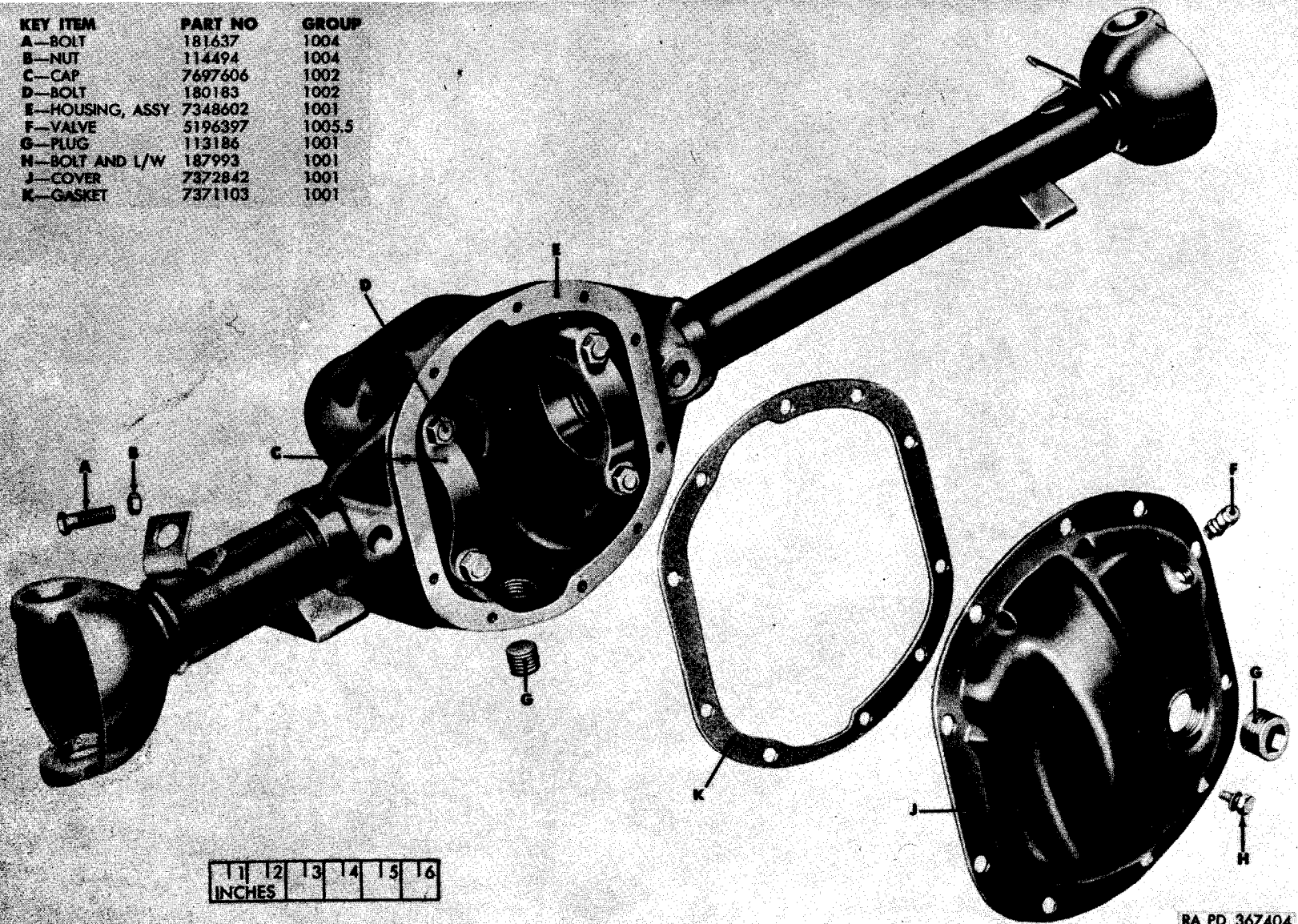
(1) ILLUSTRATION NO.	(2) REFER- ENCE SYMBOLS	(3) ORDNANCE STOCK NO.	(4) FEDERAL STOCK NO.	(5) MFR'S PART NO.	(6) ORDNANCE PART NO.	(7) DESCRIPTION	(8) QUANTITY INCOR- PORATED IN UNIT	(9) UNIT OF ISSUE
						<b>GROUP 09—PROPELLER SHAFT AND UNIVERSAL JOINTS—Continued</b>		
						<b>0900—PROPELLER SHAFT AND UNIVERSAL JOINT—Continued</b>		
		G758-8328498		SP-2-2-459 WO-807784	8328498	YOKE, flange, rear propeller shaft to transfer (used w/SHAFT, G758-8328497)	1	ea
		G503-7702631		SP-2-2-329 WO-A950	7702631	YOKE, flange, rear propeller shaft to transfer (used w/SHAFT, G740-7697609)	1	ea
09-1		G740-7697612		SP-2-3-428X WO-118514	7697612	YOKE, sleeve, assy ((1) used w/SHAFT, G740-7697609; (1) used w/SHAFT, G740-7697610)	2	ea
		G758-8329700		SP-2-3-1131X WO-119704	8329700	YOKE, sleeve, assy (used w/SHAFT, G758-8328497)	1	ea
09-2		G758-8328499		SP-2-3-1111X WO-119707	8328499	YOKE, sleeve, front propeller shaft, assy (used w/SHAFT, G758-8328497)	1	ea

210



*Figure 10-1. Front axle, assy (7375067)*

KEY ITEM	PART NO	GROUP
A—BOLT	181637	1004
B—NUT	114494	1004
C—CAP	7697606	1002
D—BOLT	180183	1002
E—HOUSING, ASSY	7348602	1001
F—VALVE	5196397	1005.5
G—PLUG	113186	1001
H—BOLT AND L/W	187993	1001
J—COVER	7372842	1001
K—GASKET	7371103	1001



RA PD 367404

Figure 10-2. Front axle housing and related parts—exploded view

KEY ITEM	PART NO	GROUP	KEY ITEM	PART NO	GROUP
A—GUIDE	7372869	1006	P—GASKET	7372855	1002
B—SEAL	500030	1006	Q—SEAL	500071	1002
C—OIL	706849	1002	R—YOKE, ASSY	7373121	1002
D—CONE	705438	1002	S—WASHER	221442	1002
E—SHAFT	7372843	1002	T—NUT	7032635	1002
F—GEAR SET	SP-18392X	1002	U—WASHER	7371102	1002
G—CONE	8329852	1002	V—WASHER	7373146	1002
H—OIL	706877	1002	W—GEAR SET	7372860	1002
J—SHAFT	7372847	1002	X—PIN	7372858	1002
K—SHAFT	7372850	1002	Y—SHAFT	7372856	1002
L—OIL	707063	1002	Z—STRAP	7372857	1002
M—CONE	705271	1002	AA—SCREW	7372863	1002
N—SLINGER	7696512	1002	BB—CASE	7372854	1002

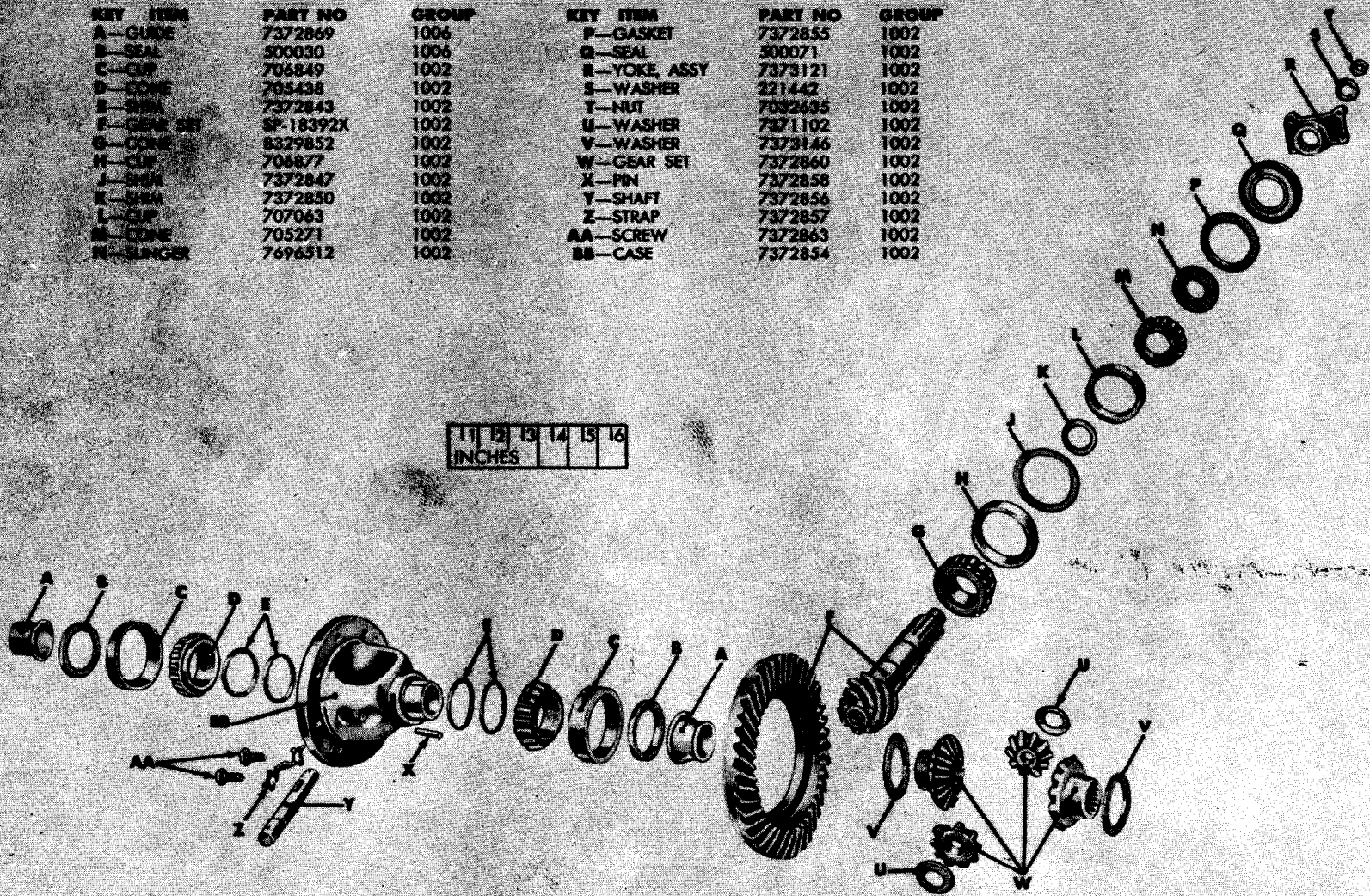


Figure 10-3. Front axle differential case and gears—exploded view



KEY	ITEM	PART NO	GROUP	KEY	ITEM	PART NO	GROUP
A	CAP	7375143	1311	T	CONE	705381	1004
B	FLANGE	7371110	1006	U	CUP	706813	1004
C	SHAFT	7351403	1006	V	WASHER	7372870	1006
D	SHAFT	7351404	1006	W	GASKET	7696523	1004
E	SHIM	7371105	1004	X	FLANGE	8328398	1004
F	CAP, ASSY	7371108	1004	Y	PLUG	7372879	1004
G	GUARD	7032625	1204.5	Z	BEARING	7375045	1004
H	WASHER	120382	1004	AA	BOLT	100025	1004
J	BOLT	181645	1004	BB	SPINDLE	7994785	1004
K	BOLT	181643	1004	CC	SEAL	8329731	1311
L	SEAL	7696526	1004	DD	CONE	705423	1311
M	SPRING	7032628	1004	EE	CUP	706836	1311
N	SEAL	7994778	1004	FF	WASHER	7696520	1311
P	HOUSING ASSY	7348602	1001	GG	NUT	7371106	1311
Q	NUT	114494	1004	HH	WASHER	7696521	1311
R	BOLT	181637	1004	JJ	GASKET	7372872	1006
S	BOLT	192417	1004	KK	SCREW	7372864	1006

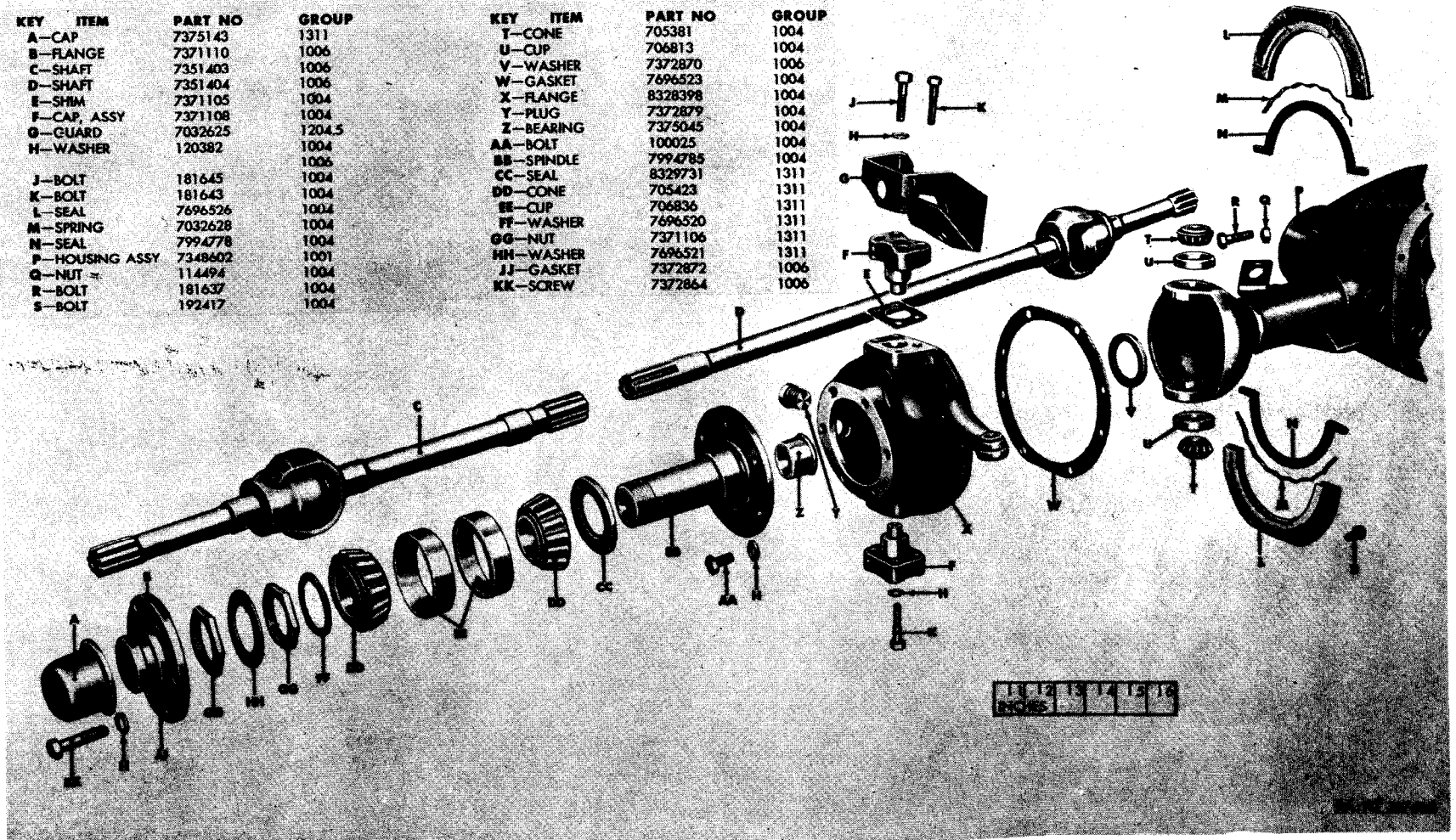


Figure 10-4. Steering knuckle and universal joint—exploded view

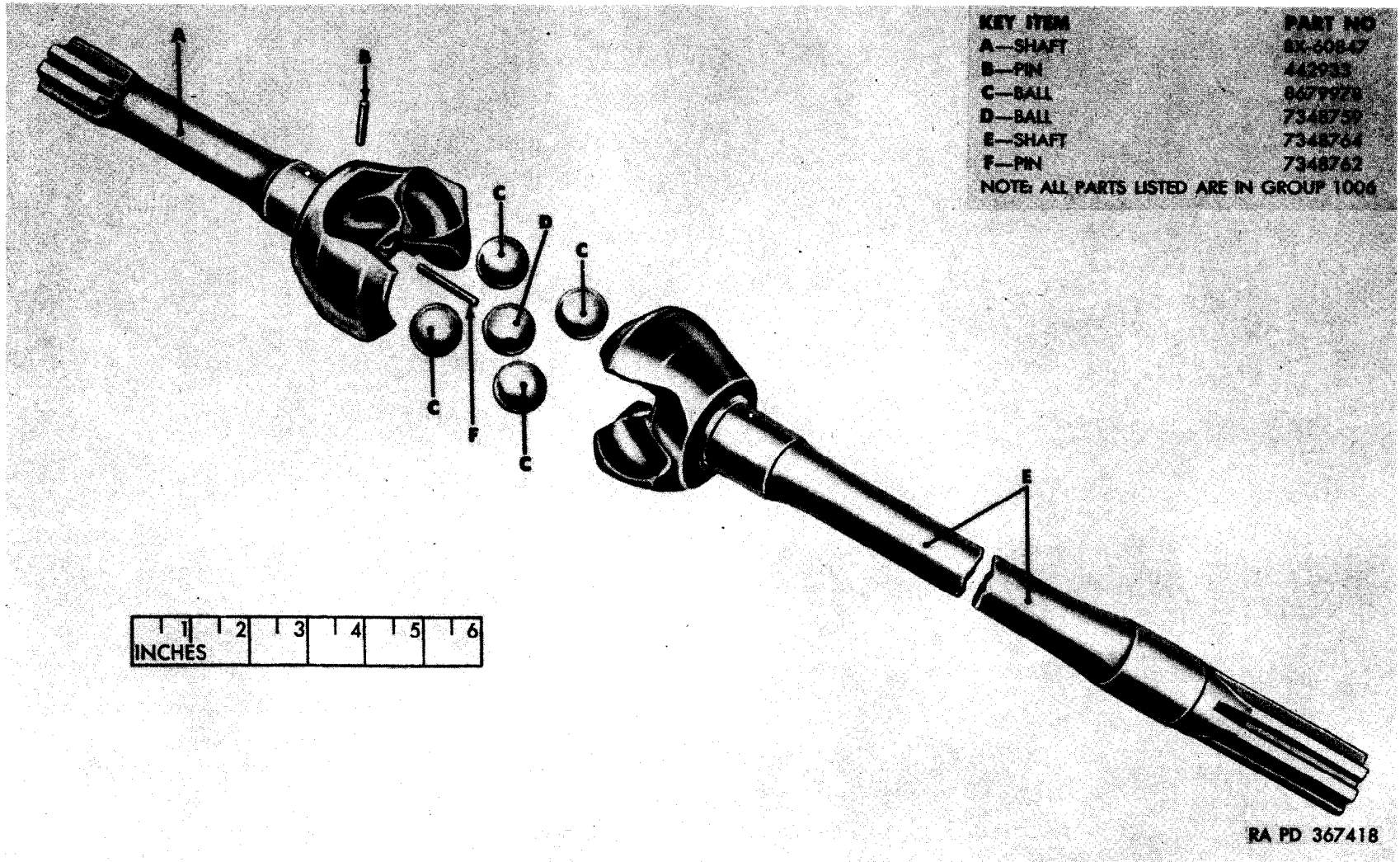
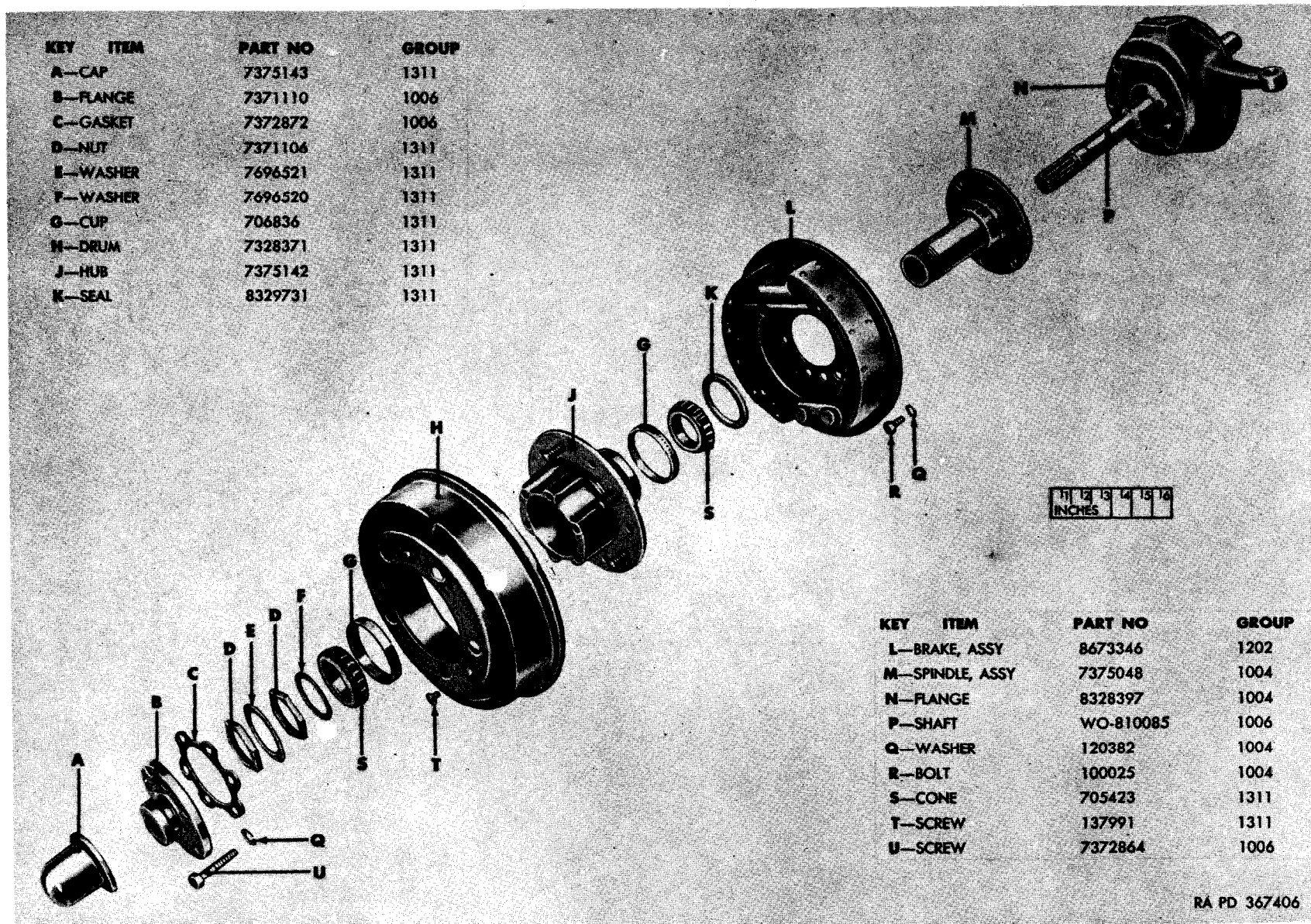


Figure 10-5. Front axle universal joint—exploded view



RA PD 367406

Figure 10-6. Front wheel connecting parts—exploded view

(1) ILLUSTRATION NO.	(2) REFER- ENCE SYMBOLS	(3) ORDNANCE STOCK NO.	(4) FEDERAL STOCK NO.	(5) MFR'S PART NO.	(6) ORDNANCE PART NO.	(7) DESCRIPTION	(8) QUANTITY INCOR- PORATED IN UNIT	(9) UNIT OF ISSUE		
<b>GROUP 10—FRONT AXLE</b>										
<b>1000—FRONT AXLE ASSEMBLY</b>										
10-1		G740-7375067		SP-2131-1	8673352	AXLE, front, assy (Bendix joints) (for service use AXLE SP-2166-1)	1	ea		
				WO-801647						
				SP-2166-1					1	ea
				WO-805788						
				SP-2131-2					1	ea
				WO-801648						
				SP-2166-2		AXLE, front, assy (Rzeppa joints) (for service use AXLE SP-2166-2)	1	ea		
				WO-805789		AXLE, front, assy (Rzeppa joints) (for service only)	1	ea		
				WO-801775	7375067	AXLE, front, (Bendix joints) (w/BRAKES, HUB and brake DRUM, assy (Bendix or Rzeppa joints))	1	ea		
				WO-801776		AXLE, front, less BRAKES, HUB and brake DRUM, assy (Bendix or Rzeppa joints) (for service use AXLE 8673520)	1	ea		
				WO-807873	8673520	AXLE, front, less BRAKES, HUB and brake DRUM, assy (Bendix or Rzeppa joints) (for service only)	1	ea		
<b>1001—HOUSING, COVER, AND PLUGS</b>										
10-2		G740-7372842	2520-737-2842	SP-17434	7372842	COVER, gear carrier housing	1	ea		
				WO-A10231						
10-2	H1	H101-0187993	018-7993		187993	BOLT, INTEGRAL LOCKWASHER, hex-hd, S, cd or zn-pltd finish, 5/16-18NC-2 x 3/4	10	ea		
10-2		G503-7371103		SP-16409	7371103	GASKET, housing cover	1	ea		
				WO-A782						
10-2, 4		G740-7348602	2520-734-8602	SP-18596X	7348602	HOUSING, gear carrier, w/TUBE, assy	1	ea		
				WO-802300						
10-2	H6	H006-0283765	011-3186		113186	PLUG, PIPE, sq-socket, hdls, MI, plain finish, 3/4-14NPT (drain and filler)	2	ea		
<b>1002—DIFFERENTIAL</b>										
10-2		G740-7697606	2520-769-7606	SP-16379	7697606	CAP, differential case	2	ea		
				WO-A764						
	H1	H101-0106343	010-6343	SP-S1358-1	106343	BOLT, MACHINE, cap, hex-hd, S, 1/2-13NC-3 x 2 1/4 (superseded by BOLT, H101-0180183)	4	ea		
				WO-636527						
10-2	H1	H101-0180183	018-0183		180183	BOLT, MACHINE, cap, hex-hd, S, 85,000 psi yield strength, cd or zn-pltd, 1/2-13NC-3 x 2 1/4 (supersedes BOLT, H101-0106343)	4	ea		



(1) ILLUSTRATION NO.	(2) REFERENCE SYMBOLS	(3) ORDNANCE STOCK NO.	(4) FEDERAL STOCK NO.	(5) MFR'S PART NO.	(6) ORDNANCE PART NO.	(7) DESCRIPTION	(8) QUANTITY INCORPORATED IN UNIT	(9) UNIT OF ISSUE
<b>GROUP 10—FRONT AXLE—Continued</b>								
<b>1002—DIFFERENTIAL—Continued</b>								
10-3		G740-7372854		SP-16383 WO-A793	7372854	CASE, differential.....	1	ea
10-3	H12	H012-6146900		TIM-24780 WO-52880	705438	CONE, tapered roller bearing, MIL-STD-CODE 711-24780-3000 (includes roller and cage, SR, 1.6250 bore, 0.963 width) (case bearing)	2	ea
10-3	H12	H012-6122200		TIM-02872 WO-52878	705271	CONE, tapered roller bearing, MIL-STD-CODE 719-02872-3000 (drive pinion outer bearing)	1	ea
	H12	H012-6160380		TIM-31593 WO-52876	705478	CONE, tapered roller bearing, MIL-STD-CODE 711-31593-3000 (drive pinion inner bearing) (superseded by CONE, H012-8329852)	1	ea
10-3	H12	H012-8329852		TIM-31594 WO-807266	8329852	CONE, tapered roller bearing (includes rollers and cage SR, 1.3750 bore, 1.1250 width) (drive pinion inner bearing) (supersedes CONE, 705478)	1	ea
10-3	H12	H012-6220960		TIM-24721 WO-52881	706849	CUP, tapered roller bearing, MIL-STD-CODE 711-24721-1000 (case bearing)	2	ea
10-3	H12	H012-6224700		TIM-31520 WO-52877	706877	CUP, tapered roller bearing, MIL-STD-CODE 711-31520-1000 (drive pinion inner bearing)	1	ea
10-3	H12	H012-6209700		TIM-02820 WO-52879	707063	CUP, tapered roller bearing, MIL-STD-CODE 719-02820-1000 (drive pinion outer bearing)	1	ea
		G740-7348603		SP-18397-3X WO-801929	7348603	DIFFERENTIAL, front axle complete, assy.....	1	ea
10-3		G740-7372855		SP-30188 WO-636565	7372855	GASKET, paper, 2 3/4 ID, 3 3/4 OD, 0.040 thk (drive pinion oil seal)	1	ea
				SP-17555 WO-644141	8677287	GEAR, bevel side.....	2	ea
				SP-17483 WO-640699	8677013	GEAR, hypoid driven, 43T.....	1	ea
10-3		G740-7372860		WO-644148	7372860	GEAR SET, side, w/PINION.....	1	ea
					8677287	Composed of: 2 GEAR		
					8677288	2 PINION  (for service—GEARS and PINIONS are to be furnished in matched sets only)		

10-3			SP-18392X WO-801926	8677076	GEAR SET, w/PINION..... Composed of: 1 GEAR 1 NUT 1 PINION (for service—GEARS and PINIONS are to be furnished in matched sets only)	1	ea
10-3		G740-7372858	SP-13449 WO-636360	7372858	PIN, locking, pinion shaft.....	1	ea
			SP-17556 WO-644142	8677288	PINION, bevel side gear.....	2	ea
			SP-18396 WO-801927	8673464	PINION, hypoid 8T (drive).....	1	ea
10-3		G740-7372863	SP-30187 WO-649454	7372863	SCREW, hex-hd, $\frac{3}{8}$ -24NF-3 x $1\frac{5}{16}$ (bevel drive gear).....	8	ea
10-3	H13	H013-0500071		500071	SEAL, oil, type MLS, $1\frac{9}{16}$ x 3.165 x $1\frac{9}{32}$ (drive pinion).....	1	ea
10-3		G740-7372856	SP-16075 WO-A798	7372856	SHAFT, pinion.....	1	ea
		G740-7372859	2520-495-7068 SP-15099 WO-636568	7372859	SHIELD, dust, hypoid pinion.....	1	ea
10-3		G740-7372843	SP-S58 WO-639959	7372843	SHIM, case bearing 0.003 thk.....	†	ea
		G740-7372844	SP-S59 WO-639960	7372844	0.005 thk.....	†	ea
		G740-7372845	SP-S74 WO-639961	7372845	0.010 thk.....	†	ea
		G740-7372846	SP-S75 WO-639962	7372846	0.030 thk.....	†	ea
10-3		G740-7372847	SP-S112 WO-639969	7372847	SHIM, drive pinion inner bearing 0.003 thk.....	†	ea
		G740-7372848	SP-S113 WO-639970	7372848	0.005 thk.....	†	ea
		G740-7372849	SP-S114 WO-639971	7372849	0.010 thk.....	†	ea
10-3		G740-7372850	SP-S638 WO-639972	7372850	SHIM, drive pinion outer bearing 0.003 thk.....	†	ea
		G740-7372851	SP-S638-1 WO-639973	7372851	0.005 thk.....	†	ea
		G740-7372852	SP-S638-2 WO-639974	7372852	0.010 thk.....	†	ea
		G740-7372853	SP-S638-3 WO-639975	7372853	0.030 thk.....	†	ea

(1) ILLUSTRATION NO.	(2) REFERENCE SYMBOLS	(3) ORDNANCE STOCK NO.	(4) FEDERAL STOCK NO.	(5) MFR'S PART NO.	(6) ORDNANCE PART NO.	(7) DESCRIPTION	(8) QUANTITY INCORPORATED IN UNIT	(9) UNIT OF ISSUE
<b>GROUP 10—FRONT AXLE—Continued</b>								
<b>1002—DIFFERENTIAL—Continued</b>								
		G503-7371439		WO-649228	7371439	SHIM SET, axle drive pinion bearing.....	‡	ea
					7372847	Composed of:		
					7372848	2 SHIM		
					7372849	2 SHIM		
					7372850	2 SHIM		
					7372851	2 SHIM		
					7372852	2 SHIM		
					7372853	1 SHIM		
10-3		G503-7696512		SP-13575	7696512	SLINGER, oil, drive pinion bearing.....	1	ea
				WO-636566				
10-3		G740-7372857		SP-16866	7372857	STRAP, locking, axle drive gear screw.....	4	ea
				WO-A792				
10-3		G503-7371102		SP-16322-4	7371102	WASHER, thrust, differential pinion.....	2	ea
				WO-A797				
10-3		G503-7373146		SP-16323-4	7373146	WASHER, thrust, side gear.....	2	ea
				WO-A795				
10-3		G503-7373121	2520-495-7112	SP-2-4-108X	7373121	YOKE, propeller shaft to differential, assy.....	1	ea
				WO-A1445				
10-3	H1	H101-7032635			7032635	NUT, SAFETY, S, hex, "huglock" type, 3/4-16NF-2...	1	ea
		G740-7372868	5310-737-2868	SP-S1056	7372868	WASHER, flat, S, 0.7656 ID, 1.150 OD, 0.1196 thk (superseded by WASHER, 221442)	1	ea
				WO-636570				
10-3	H1	H001-7036380	5310-022-1442		221442	WASHER, flat, S, 4/64 ID, 1 1/2 OD, 0.1196 thk (super- sedes WASHER, G740-7372868)	1	ea
		G740-7348604		SP-2-4-581	7348604	YOKE, universal joint.....	1	ea
				WO-A1446				
<b>1004—STEERING KNUCKLES</b>								
10-4		G740-7375045		SP-18174	7375045	BEARING, bushing type (wheel bearing spindle).....	2	ea
				BX-60799				
				WO-649783				
		G503-7373188	5305-456-6211	SP-6-73-1117	7373188	BOLT, MACH, S, 3/8-24NF-3 x 1 1/16 (stop, steering knuckle) (superseded by BOLT, 181637)	2	ea
				WO-A821				
10-2, 4	H1	H001-5455261	018-1637		181637	BOLT, MACHINE, cap, hex-hd, S, 85,000 psi yield strength, cd or zn-pltd, 3/8-24NF-3 x 1 (supersedes BOLT, G503-7373188)	2	ea

	H1	H001-4183600	012-2230		122230	NUT, plain, hex, s-fin, S, $\frac{3}{8}$ -24NF-3 (superseded by NUT, 114494)	2	ea
10-2, 4	H1	H001-4185600	5310-011-4494		114494	NUT, PLAIN, HEXAGON, light s-fin, S, $\frac{3}{8}$ -24NF-2 (supersedes NUT, 122230)	2	ea
				SP-16995 WO-A829		CAP, king pin bearing (steering knuckle)	4	ea
10-4		G503-7371108		SP-17048X WO-A828	7371108	CAP, steering knuckle flange, w/king PIN and lock PIN assy) Composed of: 1 CAP 1 PIN 1 PIN	4	ea
10-4	H1	H001-5455381	018-1645		181645	BOLT, MACH, hex-hd, S, 85,000 psi yield strength, cd or zn-pltd, $\frac{3}{8}$ -24NF-3 x 1 $\frac{5}{8}$	4	ea
10-4	H1	H001-5455341	018-1643		181643	BOLT, MACH, hex-hd, S, 85,000 psi yield strength, cd or zn-pltd, $\frac{3}{8}$ -24NF-3 x 1 $\frac{1}{2}$	12	ea
10-4	H1	H001-7025741	012-0382		120382	WASHER, LOCK, med, S, cd or zn-pltd, $\frac{3}{8}$ in	16	ea
10-4	H12	H012-6133330			705381	CONE, tapered roller bearing, MIL-STD-CODE 711-11590-3000 (includes rollers and cage, SR, steep angle, 0.6250 bore, 0.5265 width) (king pin bearing)	4	ea
10-4	H12	H012-6216140			706813	CUP, tapered roller bearing, MIL-STD-CODE 711-11520-1000 (SR, steep angle, 1.6875 ID, 0.3750 width) (king pin bearing)	4	ea
		G740-7375046		SP-17537 WO-641629	7375046	FLANGE, steering, left, w/integral ARM (superseded by FLANGE, G758-8328397)	1	ea
10-6		G758-8328397		SP-30071 WO-805783	8328397	FLANGE, steering, left, w/integral ARM (supersedes FLANGE, G740-7375046)	1	ea
		G740-7375047		SP-17535 WO-641630	7375047	FLANGE, steering, right, w/integral ARM (superseded by FLANGE, G758-8328398)	1	ea
10-4		G758-8328398		SP-30070 WO-805784	8328398	FLANGE, steering, right, w/integral ARM (supersedes FLANGE, G740-7375047)	1	ea
10-4		G503-7696523		SP-17041 WO-A820	7696523	GASKET, steering knuckle oil seal	2	ea
		G503-7696518		SP-16991 WO-A824	7696518	PIN, king	4	ea
		G503-7696482		SP-S957 WO-A825	7696482	PIN, locking, king pin	4	ea
10-4		G740-7372879		WG-4646A SP-18-39-3 WO-801660	7372879	PLUG, PIPE, ck-hd, MI, $\frac{1}{2}$ in (filler, steering knuckle)	2	ea
10-4				SP-18593 WO-800095	7994778	SEAL, half, oil, steering knuckle (ru)	4	ea
10-4		G503-7696526		SP-17133X WO-A814	7696526	SEAL, oil, steering knuckle (half)	4	ea

(1) ILLUSTRATION NO.	(2) REFERENCE SYMBOLS	(3) ORDNANCE STOCK NO.	(4) FEDERAL STOCK NO.	(5) MFR'S PART NO.	(6) ORDNANCE PART NO.	(7) DESCRIPTION	(8) QUANTITY INCORPORATED IN UNIT	(9) UNIT OF ISSUE
<b>GROUP 10—FRONT AXLE—Continued</b>								
<b>1004—STEERING KNUCKLES—Continued</b>								
		G740-7375049	2530-737-5049	SP-18592X WO-801759	7375049	SEAL, oil, steering knuckle, assy (half).....	4	ea
		G740-7348605	5305-734-8605	SP-S1640 WO-802498	7348605	BOLT, INTEGRAL LOCK WASHER, hex-hd, S, cd-pltd, $\frac{5}{16}$ -24NF-3 x $1\frac{1}{16}$ (superseded by BOLT, H101-0192417)	16	ea
10-4	H1	H101-0192417	019-2417		192417	BOLT, INTEGRAL LOCK WASHER, hex-hd, S, cd or zn-pltd, $\frac{5}{16}$ -24NF-2 x $\frac{3}{4}$ (supersedes BOLT, G740-7348605)	16	ea
10-4		G503-7371105		SP-16992-2 WO-A831	7371105	SHIM, king pin bearing 0.005 thk.....	‡	ea
		G503-7520991		SP-16992-3 WO-A832	7520991	0.010 thk.....	‡	ea
		G503-7373148		SP-16992-4 WO-A833	7373148	0.030 thk.....	‡	ea
10-4				SP-16964 WO-A852	7994785	SPINDLE, wheel bearing.....	2	ea
10-6		G740-7375048		SP-18173X WO-64978z	7375048	SPINDLE, wheel bearing, w/BEARING, assy.....	2	ea
10-4, 6	H1	H001-5421220	010-0025	SP-IS-1310 WO-A877	100025	BOLT, MACHINE, hex-hd, S, $\frac{3}{8}$ -24NF-2 x $\frac{7}{8}$ .....	8	ea
10-4, 6	H1	H001-7025741	012-0382		120382	WASHER, LOCK, med, S, cd or zn-pltd, $\frac{3}{8}$ in.....	8	ea
10-4		G740-7032628		SP-18594 WO-800068	7032628	SPRING, oil seal.....	4	ea
<b>1005.5—VENTILATION</b>								
10-2	H16	H016-5196397			5196397	VALVE, relief, air pressure $\frac{1}{8}$ -27NPT.....	1	ea
<b>1006—FRONT AXLE SHAFT AND UNIVERSAL JOINTS</b>								
10-5				BX-60572 WO-A6289	8679978	BALL, alloy-S (univ-jt, outer) (Bendix joint) 0.872 diam.....	‡	ea
		G740-7348767		BX-60573 WO-A6290	7348767	0.873 diam.....	‡	ea

		G503-7416485		BX-60574 WO-A6291	7416485	0.874 diam.....	‡	ea
	H2	H102-0145652		BX-60575 WO-A6292	145652	0.875 diam.....	‡	ea
		G503-7416486		BX-60576 WO-A6293	7416486	0.876 diam.....	‡	ea
		G740-7348768		BX-60577 WO-A6294	7348768	0.877 diam.....	‡	ea
				BX-60578 WO-A6295		0.878 diam.....	‡	ea
10-5		G740-7348759	2520-734-8759	BX-60863 WO-A6288	7348759	BALL, univ-jt, center, dld (Bendix joint).....	2	ea
		G503-7373108		SP-17232 WO-A1721	7373108	BALL, univ-jt, (S, 1 <sup>1</sup> / <sub>6</sub> in diam) (Rzeppa joint).....	12	ea
		G503-7540093		SP-17230 WO-A1719	7540093	CAGE, univ-jt, (Rzeppa joint).....	2	ea
10-4, 6		G503-7371110		SP-17153 WO-A868	7371110	FLANGE, drive, axle shaft.....	2	ea
10-4, 6		G740-7372864		SP-S6-73-124 WO-A760	7372864	SCREW, hex-hd, s-fin, alloy-S, 3 <sup>3</sup> / <sub>8</sub> -16NC-2 x 1 <sup>1</sup> / <sub>2</sub> .....	12	ea
10-4, 6	H1	H001-7025741	012-0382		120382	WASHER, LOCK, med, S, reg, cd or zn-pltd, 3 <sup>3</sup> / <sub>8</sub> in.....	12	ea
10-4, 6		G740-7372872		SP-18188 WO-649784	7372872	GASKET, flange, drive, axle shaft.....	2	ea
10-3		G740-7372869		SP-17377 WO-A6439	7372869	GUIDE, axle shaft.....	2	ea
		G740-7348763	5315-734-8763	BX-60409 WO-A6278	7348763	PIN, GROOVED, HEADLESS, univ-jt, (Bendix joint) (optional w/PIN, WO-906680) (superseded by PIN, H101-0442933)	2	ea
10-5	H1	H101-0442933			442933	PIN, GROOVED, HEADLESS, univ-jt, (Bendix joint) (supersedes PIN, G740-7348763)	2	ea
10-5		G740-7348762		BX-60364 WO-A6279	7348762	PIN, univ-jt, center ball (Bendix joint).....	2	ea
				WO-906680		PIN, univ-jt, spiral (Bendix joint) (optional w/PIN, G740-7348763)	2	ea
				RZ-OR-33-6 WO-802314	8677079	RACE, axle shaft, univ-jt, inner (Rzeppa joint) (used w/SHAFT, 8673512 and SHAFT, SP-18597-1X only)	2	ea
				SP-30103 WO-810086		RACE, univ-jt, inner (Rzeppa joint) (used w/SHAFT, SP-20128-1X and SHAFT, SP-20128-2X)	2	ea
		G503-7540096	2530-754-0096	SP-17216 WO-A1724	7540096	RETAINER, univ-jt, inner shaft (Rzeppa joint) (used w/SHAFT, 8673512 and SHAFT, SP-18597-1X)	2	ea
	H1	H101-0133503	5305-013-3503		133503	SCREW, MACHINE, fl-hd, S, cd or zn-pltd, No. 8 (0.164)-32NC-2A x 7 <sup>3</sup> / <sub>8</sub> (used w/AXLE, SP-2131-2)	6	ea
				SP 30101 WO-810095		RING, snap, inner shaft (Rzeppa joint) (used w/SHAFT, SP-20128-2X and SHAFT, SP-20128-1X)	2	ea

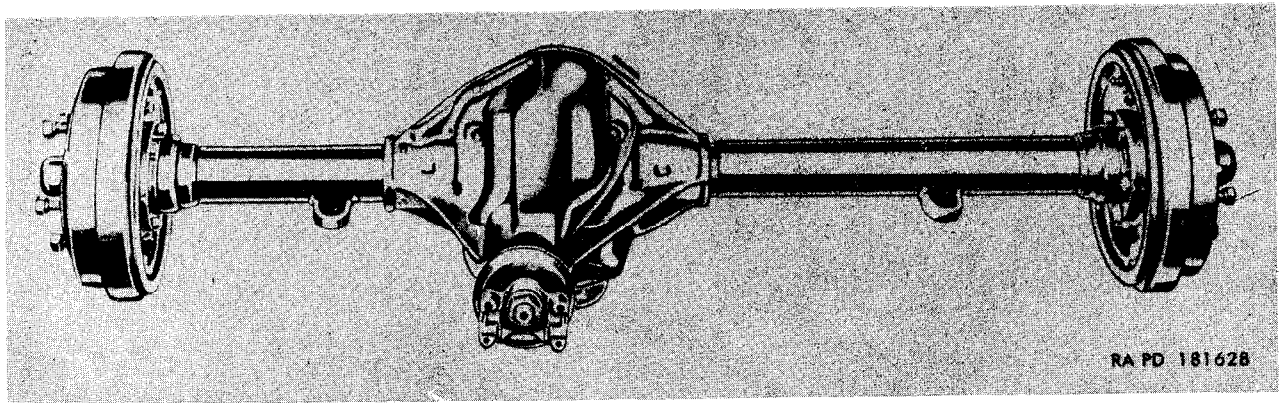
1006

(1) ILLUSTRATION NO.	(2) REFERENCE SYMBOLS	(3) ORDNANCE STOCK NO.	(4) FEDERAL STOCK NO.	(5) MFR'S PART NO.	(6) ORDNANCE PART NO.	(7) DESCRIPTION	(8) QUANTITY INCORPORATED IN UNIT	(9) UNIT OF ISSUE
<b>GROUP 10—FRONT AXLE—Continued</b>								
<b>1006—FRONT AXLE SHAFT, AND UNIVERSAL JOINTS—Continued</b>								
		G740-7372865		SP-17218 WO-A1726	7372865	RING, snap, inner shaft (Rzeppa joint) (used w/SHAFT, 8673512 and SHAFT, SP-18597-1X)	2	ca
	H2	H002-0583386			5833386	RING, snap, retn, exter, S, cd or zn-pltd, 1 1/8 in shaft diam (outer shaft) (Rzeppa)	2	ea
10-3	H13	H013-0500030			500030	SEAL, OIL, type MW, 1 3/16 x 2.000 x 1/4, inner bearing (axle shaft, inner)	2	ea
10-4		G740-7351404		BX-60771 SP-18172-2X WO-649771	7351404	SHAFT, complete, left, w/universal JOINT, assy (Bendix)	1	ea
				SP-18597-2X RZ-VA2558 WO-802315	8673512	SHAFT, complete, left, w/universal JOINT, assy (Rzeppa) (superseded by SHAFT, SP-20128-2X) (for service use SHAFT, SP-18411-2X)	1	ea
				SP-20128-2X WO-810081		SHAFT, complete, left, w/universal JOINT, assy (Rzeppa joint) (supersedes SHAFT, 8673512) (for service use SHAFT, SP-18411-2X)	1	ea
				SP-18411-2X WO-800607		SHAFT, complete, left, w/universal JOINT and snap RING, assy (Rzeppa joint) (for service only)	1	ea
10-4		G740-7351403		BX-60772 SP-18172-1X WO-649772	7351403	SHAFT, complete, right, w/universal JOINT, assy (Bendix)	1	ea
				SP-18597-1X WO-802316		SHAFT, complete, right, w/universal JOINT, assy (Rzeppa) (superseded by SHAFT, SP-20128-1X) (for service use SHAFT, SP-18411-1X)	1	ea
				SP-20128-1X WO-810082		SHAFT, complete, right w/universal JOINT, assy (Rzeppa) (supersedes SHAFT, SP-18597-1X) (for service use SHAFT, SP-18411-1X)	1	ea
				SP-18411-1X WO-800608		SHAFT, complete, right, w/universal JOINT and snap RING, assy (Rzeppa joint) (for service only)	1	ea
10-5		G740-7348764		BX-60524 WO-A6276	7348764	SHAFT, inner left (Bendix joint)	1	ea
		G740-7372866		SP-17122-4 WO-A1729	7372866	SHAFT, inner, left (Rzeppa) (used w/SHAFT, 8673512)	1	ea
				SP-30102-2 WO-810091		SHAFT, inner, left (Rzeppa) (used w/SHAFT, SP-20128-2X)	1	ea

224

			WO-810087		SHAFT, inner, left, w/retn RING, assy (Rzeppa) (used w/SHAFT, SP-20128-2X) Composed of: 1 RING 1 SHAFT	1	ea
	G740-7372867		SP-30101 SP-30102-2 SP-17122-3 WO-A1727 SP-30102-1 WO-810092 WO-810088	7372867	SHAFT, inner, right (Rzeppa) (used w/SHAFT, SP-18597-1X) SHAFT, inner, right (Rzeppa) (used w/SHAFT, SP-20128-1X) SHAFT, inner, right w/retn RING, assy (Rzeppa) (used w/SHAFT, SP-20128-1X) Composed of: 1 RING 1 SHAFT	1 1 1	ea ea ea
	G740-7348765		SP-30101 SP-30102-1 BX-60525 WO-A6277	7348765	SHAFT, inner, right (Bendix joint)	1	ea
	G740-7348766		WO-649770	7348766	SHAFT, outer (Bendix joint) (used w/SHAFT, G740-7351404 and SHAFT, G740-7351403) (superseded by SHAFT BX-60847)	2	ea
10-5			BX-60847 WO-906703		SHAFT, outer (Bendix joint) (used w/SHAFT, G740-7351404 and SHAFT, G740-7351403) (supersedes SHAFT, G740-7348766)	2	ea
	G740-7032626	2520-703-2626	SP-30020 WO-802321	7032626	SHAFT, outer (Rzeppa) (for service for SHAFT, 8673512 and SHAFT, SP-18597-1X use SHAFT, G740-7347733) (for service for SHAFT, SP-20128-1X and SHAFT, SP-20128-2X use SHAFT, WO-810085)	2	ea
	G740-7347733		WO-802319	7347733	SHAFT, outer, w/universal JOINT, assy (Rzeppa) (for service only) (use w/SHAFTS, SP-18579-2X and 8673512)	2	ea
10-6			WO-810085		SHAFT, outer, w/universal JOINT, assy (Rzeppa) (use w/SHAFTS, SP-20128-1X and SP-20128-2X)	2	ea
10-4	G740-7372870		SP-S1622 WO-649769	7372870	WASHER, thrust, univ-jt	2	ea





*Figure 11-1. Rear axle, assy (7348606)*

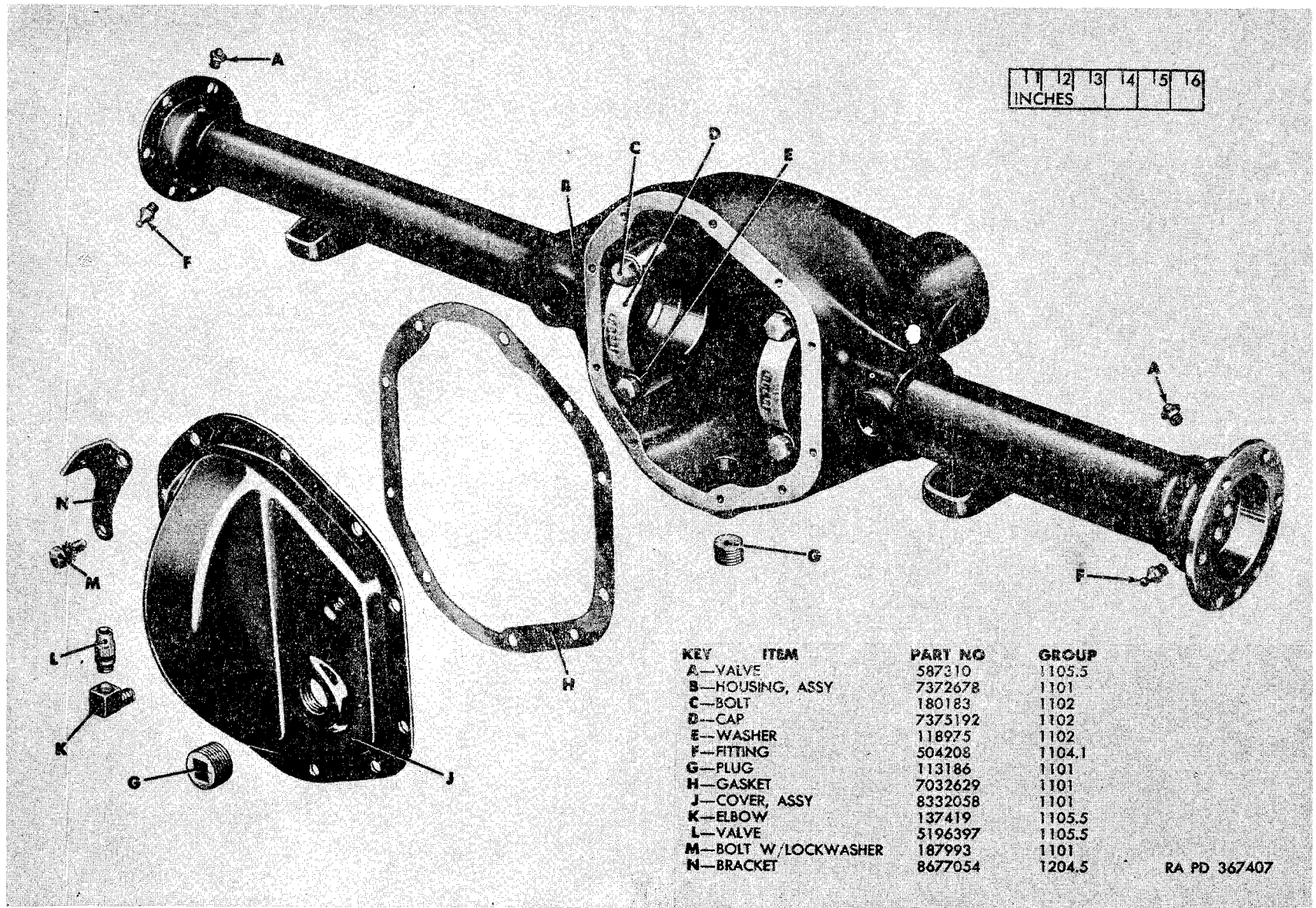
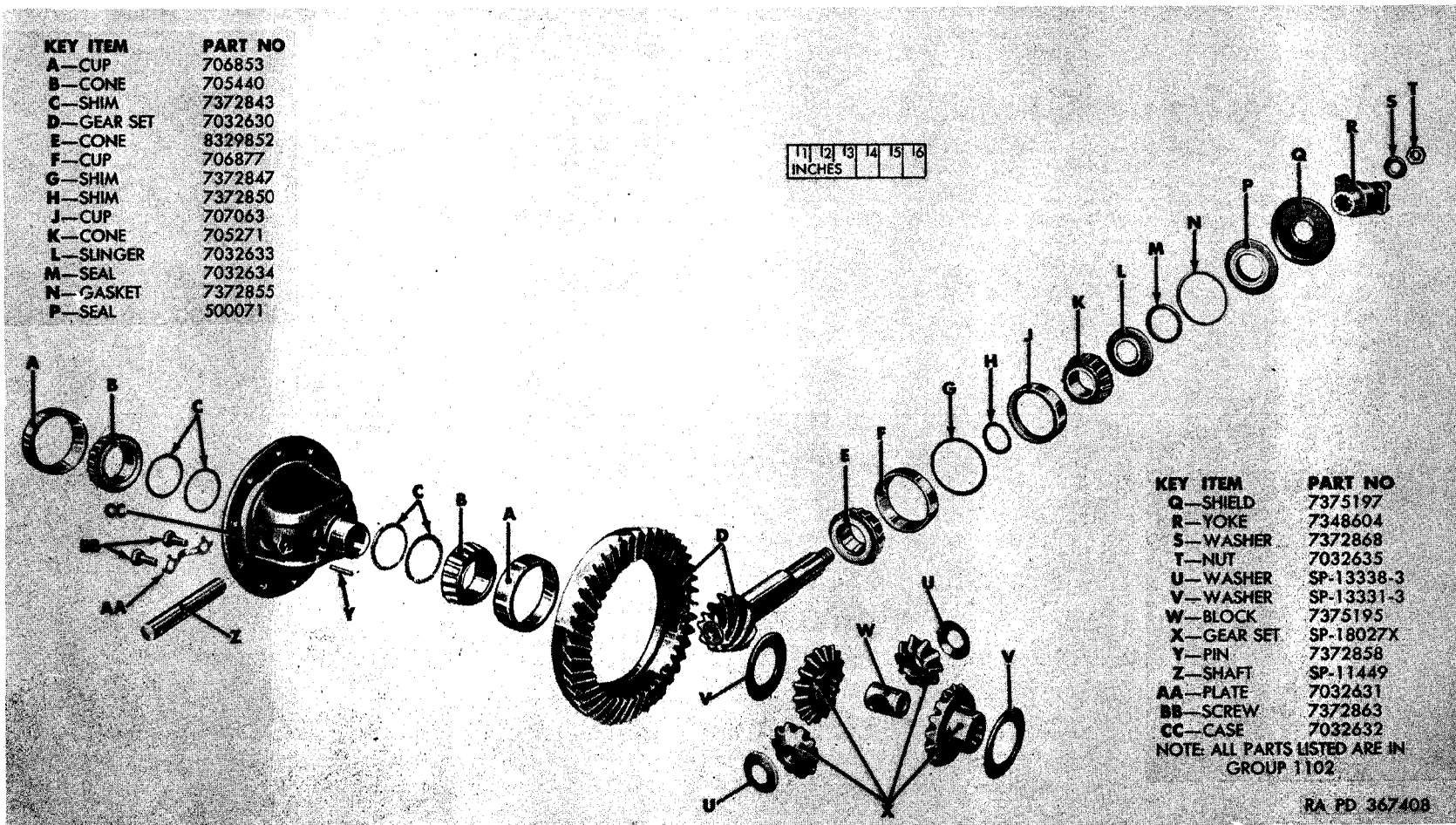


Figure 11-2. Rear axle housing and related parts—exploded view



KEY ITEM	PART NO
A—CUP	706853
B—CONE	705440
C—SHIM	7372843
D—GEAR SET	7032630
E—CONE	8329852
F—CUP	706877
G—SHIM	7372847
H—SHIM	7372850
J—CUP	707063
K—CONE	705271
L—SLINGER	7032633
M—SEAL	7032634
N—GASKET	7372855
P—SEAL	500071

1	2	3	4	5	6
INCHES					

KEY ITEM	PART NO
Q—SHIELD	7375197
R—YOKE	7348604
S—WASHER	7372868
T—NUT	7032635
U—WASHER	SP-13338-3
V—WASHER	SP-13331-3
W—BLOCK	7375195
X—GEAR SET	SP-18027X
Y—PIN	7372858
Z—SHAFT	SP-11449
AA—PLATE	7032431
BB—SCREW	7372863
CC—CASE	7032632

NOTE: ALL PARTS LISTED ARE IN GROUP 1102.

RA FD 367408

Figure 11-3. Rear axle differential case and gears—exploded view

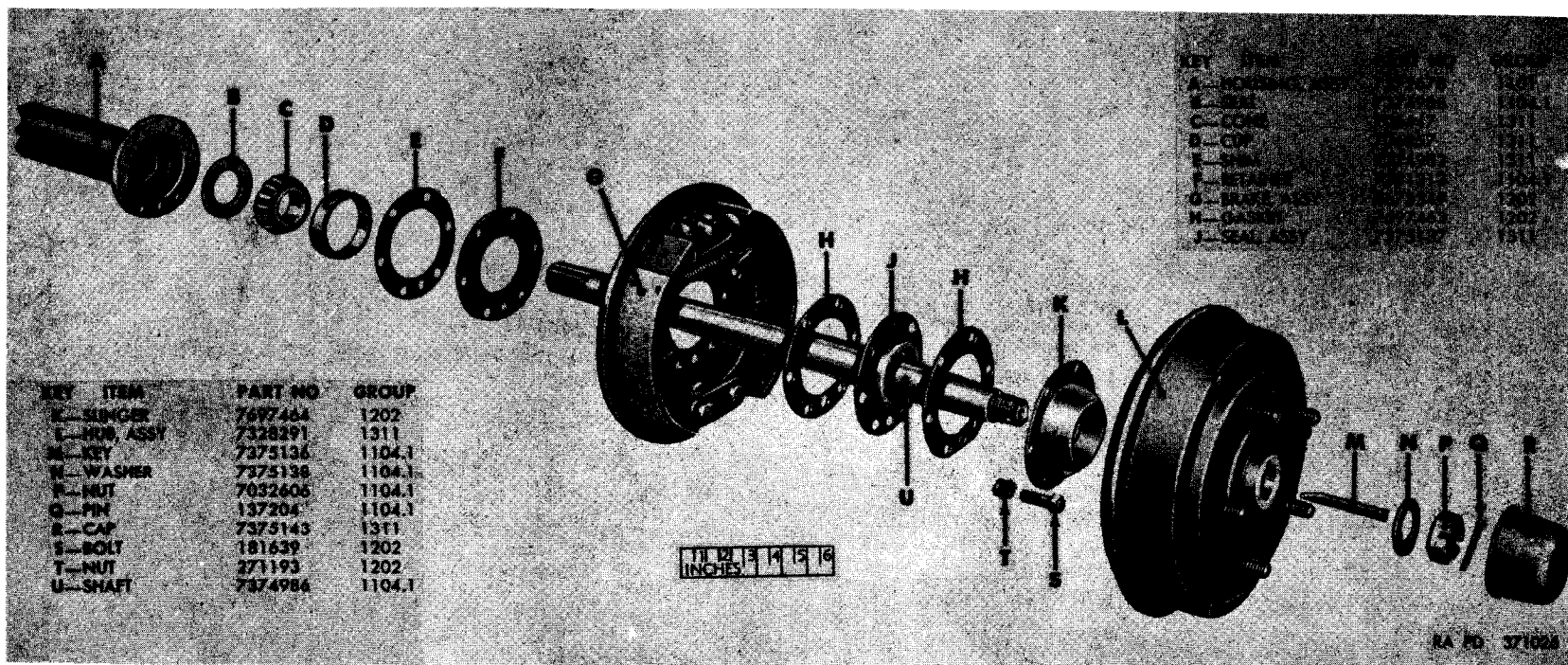


Figure 11-4. Rear wheel connecting parts—exploded view

(1) ILLUSTRATION NO.	(2) REFER- ENCE SYMBOLS	(3) ORDNANCE STOCK NO.	(4) FEDERAL STOCK NO.	(5) MFR'S PART NO.	(6) ORDNANCE PART NO.	(7) DESCRIPTION	(8) QUANTITY INCORPORATED IN UNIT	(9) UNIT OF ISSUE	
<b>GROUP 11—REAR AXLE</b>									
<b>1100—REAR AXLE ASSEMBLY</b>									
11-1		G740-7372680		SP-2149-1	7372680	AXLE, rear, assy (for service, use AXLE, 8677577).....	1	ea	
				WO-802420					
		G740-7348606		SP-2167-1	8677577	AXLE, rear, assy (for service only).....	1	ea	
				WO-805791					
				WO-802566	7348606	AXLE, rear, w/BRAKES, HUB, and brake DRUM, assy.	1	ea	
				WO-802567		AXLE, rear, w/o BRAKES, HUB, and brake DRUM, assy (for service use AXLE, 8673521)	1	ea	
				WO-807875	8673521	AXLE, rear w/o BRAKES, HUB, and brake DRUM, assy (for service only)	1	ea	
<b>1101—HOUSING AND COVER</b>									
11-2		G740-7346728	2520-734-6728	SP-18633	7346728	COVER, rear axle housing (superseded by COVER, G758-8329850)	1	ea	
				WO-802555					
		G758-8329850		SP-20075X	8329850	COVER, rear axle housing, w/BAFFLE (welded) (supersedes COVER, G740-7346728) (superseded by COVER, G758-8332058)	1	ea	
				WO-807267					
11-2		G758-8332058		SP-20124X	8332058	COVER, rear axle housing, w/BAFFLE (welded) (supersedes COVER, G758-8329850)	1	ea	
11-2	H1	H101-0187993	018-7993	WO-809548	187993	BOLT, INTEGRAL LOCK WASHER, hex-hd, cd or zn-fin, 5/16-18 x 3/4	10	ea	
11-2		G740-7032629		SP-18434	7032629	GASKET, axle housing cover.....	1	ea	
				WO-802556					
11-2, 4		G740-7372678		SP-18634X	7372678	HOUSING, gear carrier, w/TUBE, assy.....	1	ea	
				WO-802552					
11-2	H6	H006-0283765	011-3186		113186	PLUG, PIPE, sq-socket, hdls, MI, 3/4 in (filler and drain).	2	ea	
<b>1102—DIFFERENTIAL</b>									
11-3		G740-7375195		SP-13810	7375195	BLOCK, drive shaft.....	1	ea	
				WO-640965					
11-2		G740-7375192		SP-15365	7375192	CAP, bearing, differential.....	2	ea	
				WO-639818					
11-2	H1	H101-0180183	018-0183		180183	BOLT, MACHINE, cap, hex-hd, S, 85,000 psi yield strength, cd or zn-pltd, 1/2-13NC-3 x 2 1/4	4	ea	
11-2	H1	H001-1520005	5310-011-8975		118975	WASHER, LOCK, S, style No. 2, 0.880 OD, 1/2 in bolt size (flat type)	4	ea	

11-3		G740-7032632	SP-18458 WO-802562	7032632	CASE, differential.....	1	ea
11-3	H12	H012-6122200	TIM-02872 SP-550163 WO-52878	705271	CONE AND ROLLERS, tapered roller bearing, MIL-STD-CODE 719-02872-3000 (drive pinion outer bearing)	1	ea
11-3	H12	H012-6147940	TIM-25577 SP-550180 WO-52979	705440	CONE, tapered roller bearing, MIL-STD-CODE 711-25577-3000 (case bearing)	2	ea
	H12	H012-6160380	TIM-31593 SP-15358 WO-52876	705478	CONE, tapered roller bearing, MIL-STD-CODE 711-31593-3000 (drive pinion inner bearing) (superseded by CONE, H012-8329852)	1	ea
11-3	H12	H012-8329852	TIM-31594 WO-807266	8329852	CONE, tapered roller bearing, type "TS" 1.375 bore, 1.125 width (includes rollers and cage) (drive pinion inner bearing) (supersedes CONE, 705478)	1	ea
11-3	H12	H012-6209700	TIM-02820 SP-550213 WO-52879	707063	CUP, tapered roller bearing, MIL-STD-CODE 719-02820-1000 (drive pinion outer bearing)	1	ea
11-3	H12	H012-6221280	TIM-25523 SP-550225 WO-52980	706853	CUP, tapered roller bearing, MIL-STD-CODE 711-25523-1000 (case bearing)	2	ea
11-3	H12	H012-6224700	TIM-31520 SP-550233 WO-52877	706877	CUP, tapered roller bearing, MIL-STD-CODE 711-31520-1000 (drive pinion inner bearing)	1	ea
		G740-7372679	SP-18599-7X WO-802557	7372679	DIFFERENTIAL, assy (43-8T, 5.38 ratio).....	1	ea
11-3		G740-7372855	SP-30188 WO-636565	7372855	GASKET, bevel pinion oil seal.....	1	ea
			SP-17716 WO-647061	8677294	GEAR, differential bevel side.....	2	ea
			SP-18530 WO-802559	7994912	GEAR, hypoid bevel driven (43-T).....	1	ea
11-3			SP-18027-X WO-647063		GEAR SET, side, w/PINION.....	1	ea
				8677294 8677295	Composed of: 2 GEAR 2 PINION (for service-GEARS and PINIONS are to be furnished in matched sets ONLY)		
11-3		G740-7032630	SP-18528X WO-802558	7032630	GEAR SET, w/PINION.....	1	ea
				7994912 7032635 7994913	Composed of: 1 GEAR 43T 1 NUT 1 PINION, 8T (for service-GEARS and PINIONS are to be furnished in matched sets ONLY)		

(1) ILLUSTRATION NO.	(2) REFER- ENCE SYMBOLS	(3) ORDNANCE STOCK NO.	(4) FEDERAL STOCK NO.	(5) MFR'S PART NO.	(6) ORDNANCE PART NO.	(7) DESCRIPTION	(8) QUANTITY INCOR- PORATED IN UNIT	(9) UNIT OF ISSUE
<b>GROUP 11—REAR AXLE—Continued</b>								
<b>1102—DIFFERENTIAL—Continued</b>								
11-3		G740-7372858		SP-13449 WO-636360 WO-802560 SP-17717 WO-647062	7372858 7994913 8677295	PIN, locking, pinion shaft..... PINION, axle drive (hypoid bevel) (8-T)..... PINION, bevel.....	1 1 2	ea ea ea
11-3		G740-7032631		SP-18429 WO-802561	7032631	PLATE, lock, drive gear screw.....	5	ea
11-3		G740-7372863		SP-30187 WO-649454	7372863	SCREW, hex-hd, 3/8-24NF-3 x 1 1/16 (bevel drive gear).....	10	ea
11-3		G740-7032634		SP-17858 WO-802563	7032634	SEAL, felt, 1.562 ID, 2.016 OD, 0.250 thk, drive pinion.....	1	ea
11-3	H13	H013-0500071		SP-14223 WO-639265	500071	SEAL, oil, type MLS, 1 1/16 x 3.165 x 1 1/32, assy (drive pinion)	1	ea
11-3				SP-11449 WO-636553		SHAFT, bevel pinion.....	1	ea
11-3		G740-7375197		SP-17562 WO-642121	7375197	SHIELD, dust, universal joint end yoke.....	1	ea
11-3		G740-7372843		SP-S58 WO-639959	7372843	SHIM, case bearing 0.003 thk.....	‡	ea
		G740-7372844		SP-S59 WO-639960	7372844	0.005 thk.....	‡	ea
		G740-7372845		SP-S74 WO-639961	7372845	0.010 thk.....	‡	ea
		G740-7372846		SP-S75 WO-639962	7372846	0.030 thk.....	‡	ea
11-3		G740-7372847		SP-S112 WO-639969	7372847	SHIM, drive pinion inner bearing 0.003 thk.....	‡	ea
		G740-7372848		SP-S113 WO-639970	7372848	0.005 thk.....	‡	ea
		G740-7372849		SP-S114 WO-639971	7372849	0.010 thk.....	‡	ea
11-3		G740-7372850		SP-S638 WO-639972	7372850	SHIM, drive pinion outer bearing 0.003 thk.....	‡	ea



		G740-7372851		SP-S638-1 WO-639973	7372851	0.005 thk.....	†	ea
		G740-7372852		SP-S638-2 WO-639974	7372852	0.010 thk.....	†	ea
		G740-7372853		SP-S638-3 WO-639975	7372853	0.030 thk.....	†	ea
11-3		G740-7032633		SP-17857 WO-802564	7032633	SLINGER, oil, drive pinion.....	1	ea
11-3				SP-13331-3 WO-645789		WASHER, pl, S, 1 $\frac{1}{4}$ " ID, 2 $\frac{1}{16}$ " OD, 0.032 thk (thrust, differential side gear)	2	ea
11-3				SP-13338-3 WO-645790		WASHER, pl, ck, S, $\frac{9}{64}$ " ID, 1 $\frac{21}{32}$ " OD, 0.032 thk (thrust, differential pinion)	2	ea
11-3		G740-7348604		SP-2-4-581 WO-A1446	7348604	YOKE, universal joint.....	1	ea
		G740-7375196		SP-2-4-158X WO-642120	7375196	YOKE, universal joint, assy (used w/AXLE, G740-7372680)	1	ea
11-3	H1	H101-7032635		SP-30185 WO-801367	7032635	NUT, SAFETY, steel, $\frac{3}{4}$ -16NF-2.....	1	ea
11-3		G740-7372868		SP-30186 WO-636570	7372868	WASHER, flat, S, 0.7656 ID, 1.150 OD, 0.1196 thk.....	1	ea
		G758-8328005		SP-2-4-1451X WO-807693	8328005	YOKE, universal joint, assy (used w/AXLE, 8677577).....	1	ea
						<b>1104.1-REAR AXLE SHAFT</b>		
11-2	H16	H016-0504208	050-4208		504208	FITTING, LUBR, hyd type, S, cd or zn-fin, male thd, $\frac{1}{8}$ -27NPT, ball check valve (rear wheel bearing)	2	ea
11-4		G740-7375136		WO-636374	7375136	KEY, tall, rectangle, one taper, chamfer, end, S, 0.3175 x 0.250 x 2 $\frac{7}{8}$ in lgh (axle shaft, rear)	2	ea
11-4		G740-7032606		SP-S161 WO-636344	7032606	NUT, hex, slotted, S, No. 1-14SAE-3 (axle shaft).....	2	ea
	H1	H001-0811054	010-3387		103387	PIN, COTTER, coml S, pl-fin, $\frac{1}{8}$ x 1 $\frac{1}{2}$ (rear axle shaft nut) (superseded by PIN, H101-0137204)	2	ea
11-4	H1	H101-0137204	013-7204		137204	PIN, COTTER, S, cd or zn-pltd, $\frac{1}{8}$ x 1 $\frac{1}{2}$ (rear axle shaft nut) (supersedes PIN 103387)	2	ea
				WO-636371	8393110	RETAINER, axle shaft grease, inner.....	2	ea
				WO-640887		RETAINER, axle shaft grease, outer.....	2	ea
11-4		G740-7351313		SP-18653 WO-802887	7351313	RETAINER, bearing.....	2	ea
				WO-636372	8393111	RETAINER, felt axle shaft grease, 2 $\frac{1}{16}$ " OD, $\frac{1}{16}$ " thk, 1 $\frac{15}{16}$ " ID	2	ea
11-4	H13	H013-7374988		WO-640959	7374988	SEAL, oil, axle shaft.....	2	ea
		G740-7374987		SP-18024 WO-640968	7374987	SHAFT, axle, left.....	1	ea



(1) ILLUSTRATION NO.	(2) REFERENCE SYMBOLS	(3) ORDNANCE STOCK NO.	(4) FEDERAL STOCK NO.	(5) MFR'S PART NO.	(6) ORDNANCE PART NO.	(7) DESCRIPTION	(8) QUANTITY INCORPORATED IN UNIT	(9) UNIT OF ISSUE
<b>GROUP 11—REAR AXLE—Continued</b>								
<b>1104.1—REAR AXLE SHAFT—Continued</b>								
11-4		G740-7374986		SP-17509X SP-18022X WO-640966	8677281	SHAFT, axle, left, assy.....	1	ea
				SP-18023 WO-640969	7374986	SHAFT, axle, right.....	1	ea
				SP-18021X WO-640967		SHAFT, axle, right, assy.....	1	ea
11-4		G740-7374982		SP-17521-1 WO-640971	7374982	SHIM, rear axle shaft bearing, 0.003 thk.....	†	ea
		G740-7374983		SP-17521-2 WO-640972	7374983	0.005 thk.....	†	ea
		G740-7374984		SP-17521-3 WO-640973	7374984	0.010 thk.....	†	ea
		G740-7374985		SP-17521-4 WO-640974	7374985	0.030 thk.....	†	ea
11-4		G740-7375138		WO-640945	7375138	WASHER, rear axle shaft, 1½ ID, 1½ OD, ½ in thk.....	2	ea
<b>1105.5—VENTILATION</b>								
11-2	H6	H006-0326500			137419	ELBOW, 90 deg, br, inverted flared type, ⅛ male pipe end (axle vent plug)	1	ea
11-2	H16	H016-0587810			587810	VALVE, lubr, pressure relief, 1500 lbs, ⅛NPT male, short (propeller shaft, universal joint sleeve yoke)	2	ea
11-2	H16	H016-5196397		SP-16979 SW-G131000 WO-A870	5196397	VALVE, relief, air pressure, ⅛-27NPT.....	1	ea

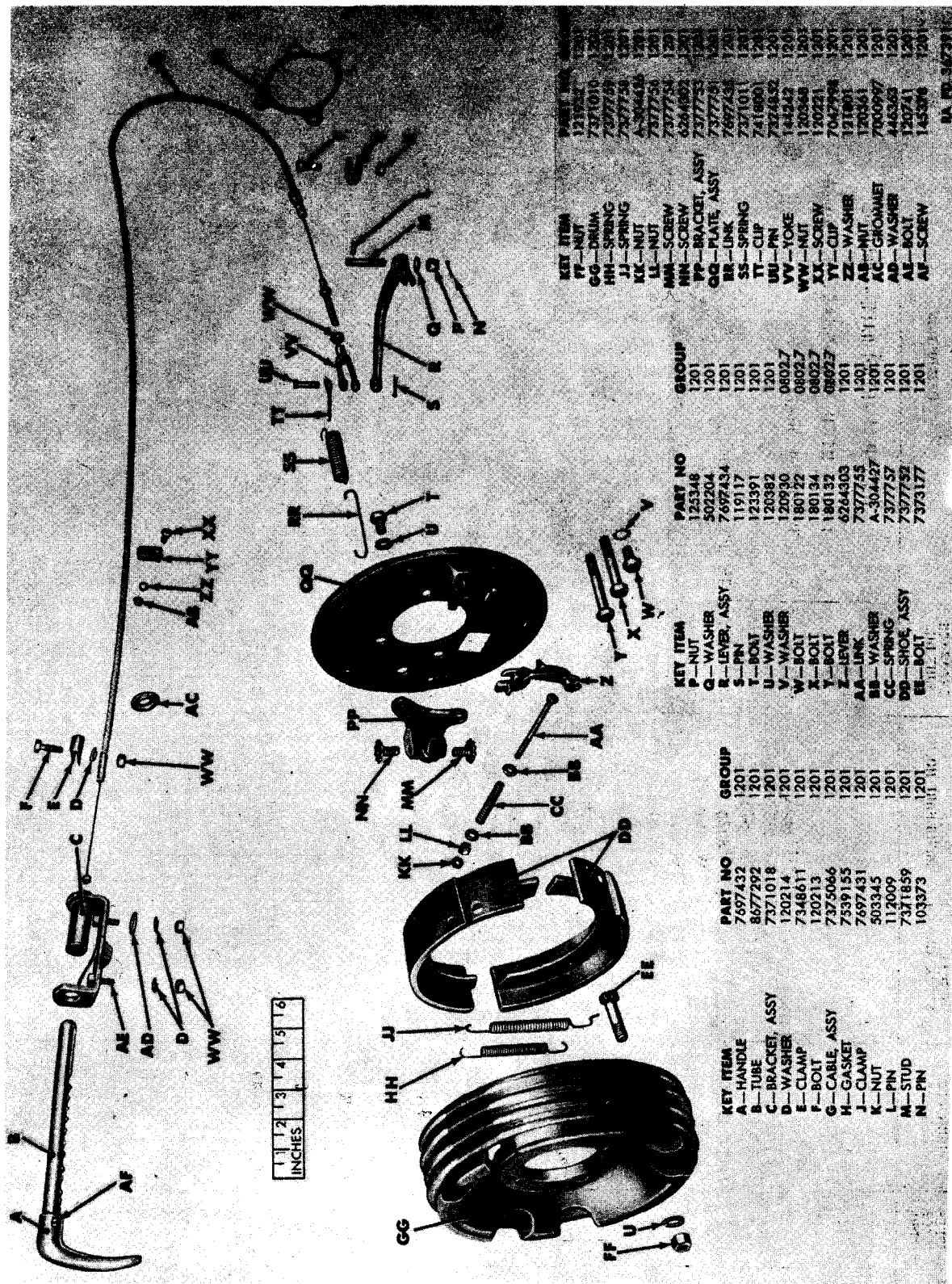
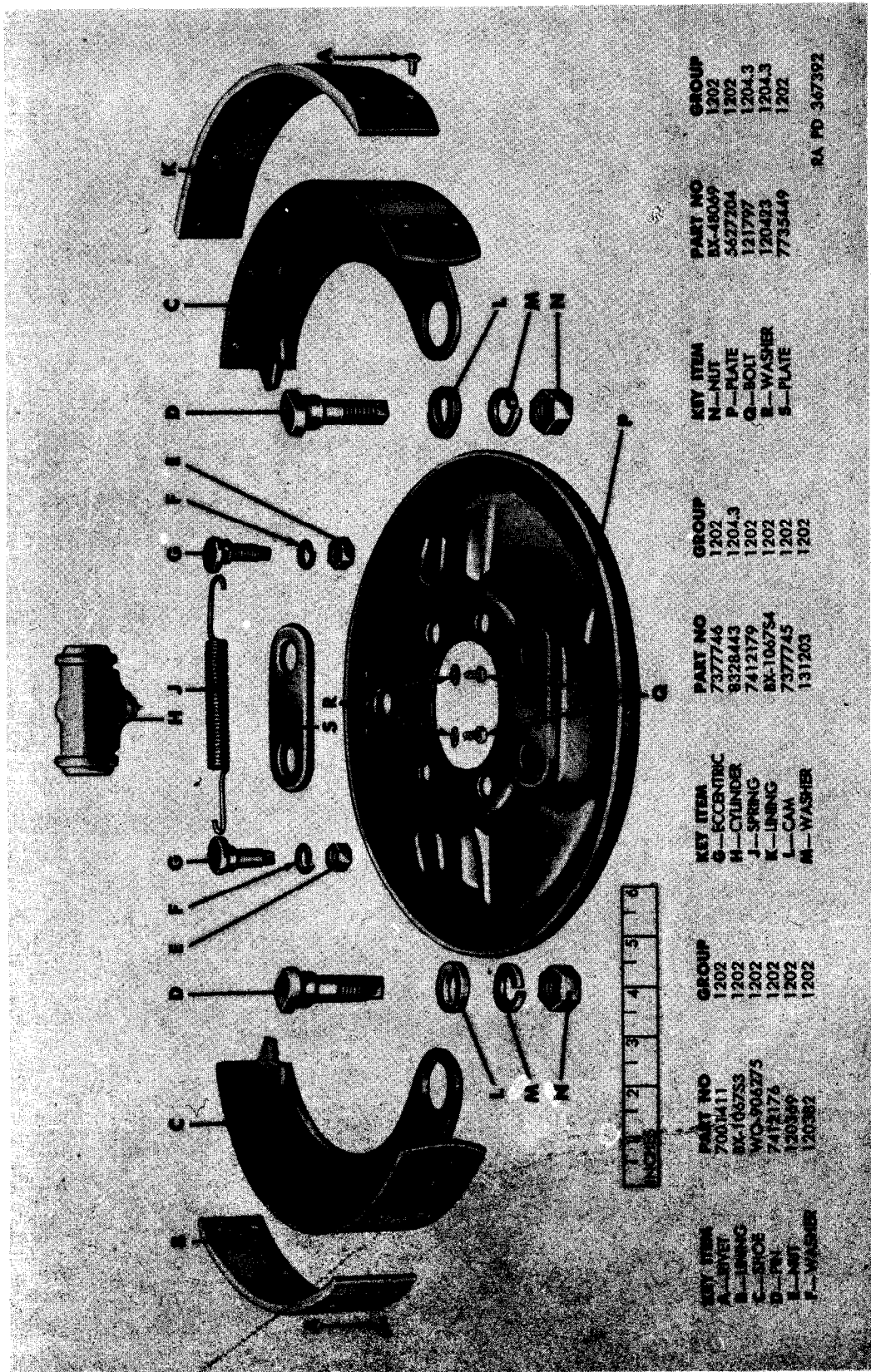


Figure 12-1. Hand brake and related parts—exploded view



GROUP  
 1202  
 1202  
 1204.3  
 1204.3  
 1202

PART NO  
 BX-48049  
 5627204  
 121797  
 120483  
 7735449

KEY ITEM  
 N-NUT  
 P-PLATE  
 Q-BOLT  
 R-WASHER  
 S-PLATE

GROUP  
 1202  
 1204.3  
 1202  
 1202  
 1202

PART NO  
 7377746  
 8328443  
 7412179  
 BX-106754  
 7377745  
 131203

KEY ITEM  
 G-ECCENTRIC  
 H-CYLINDER  
 J-SPRING  
 K-LINING  
 L-CAM  
 M-WASHER

GROUP  
 1202  
 1202  
 1202  
 1202  
 1202

PART NO  
 7003411  
 BX-106753  
 WQ-906275  
 7412176  
 120349  
 120362

KEY ITEM  
 A-BYRET  
 B-LINING  
 C-SPRIG  
 D-PIN  
 E-NUT  
 F-WASHER

SA PD 367392

Figure 12-2. Service brake, assy—exploded view



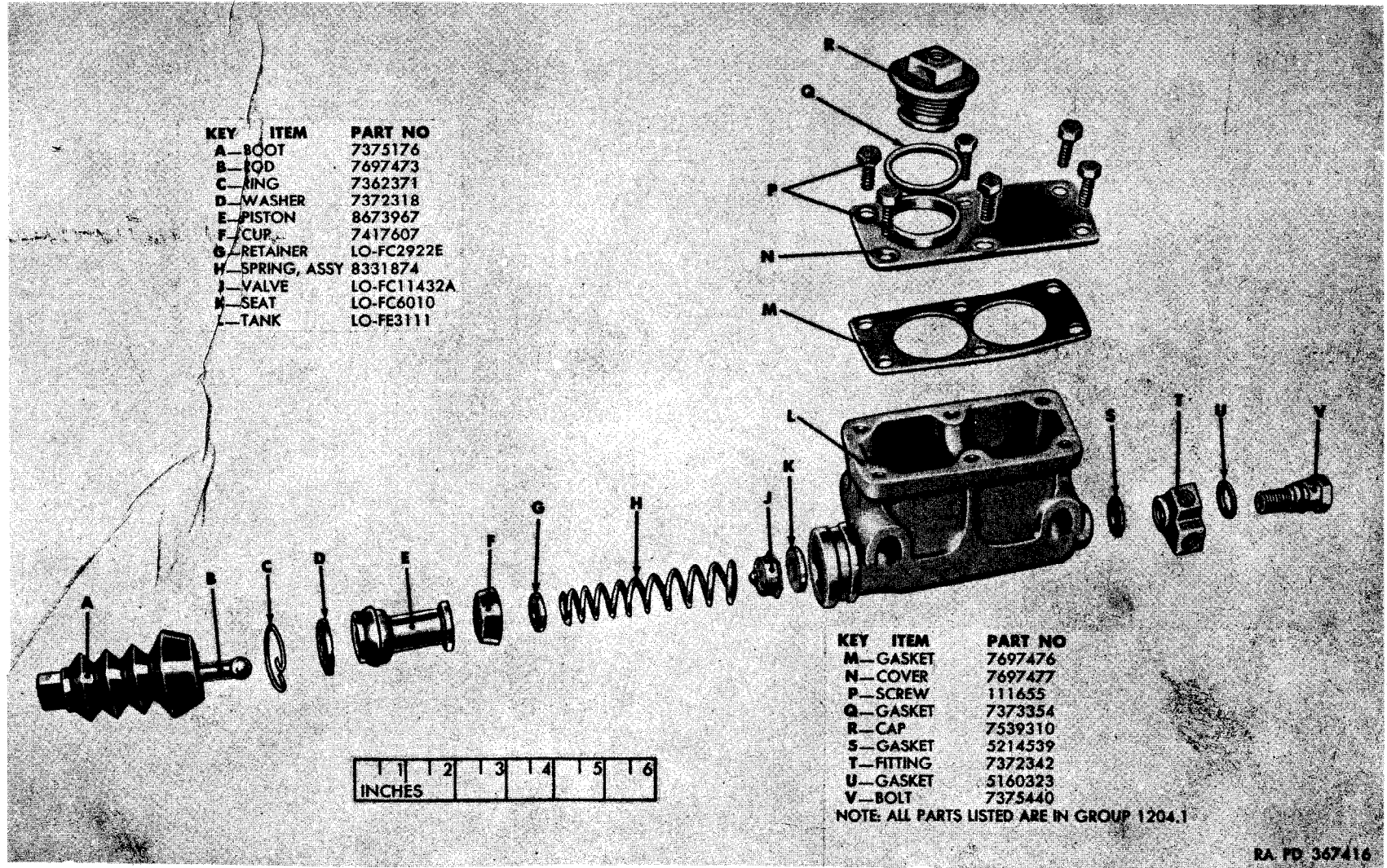


Figure 12-3. Brake master cylinder, assy (7697478)—exploded view

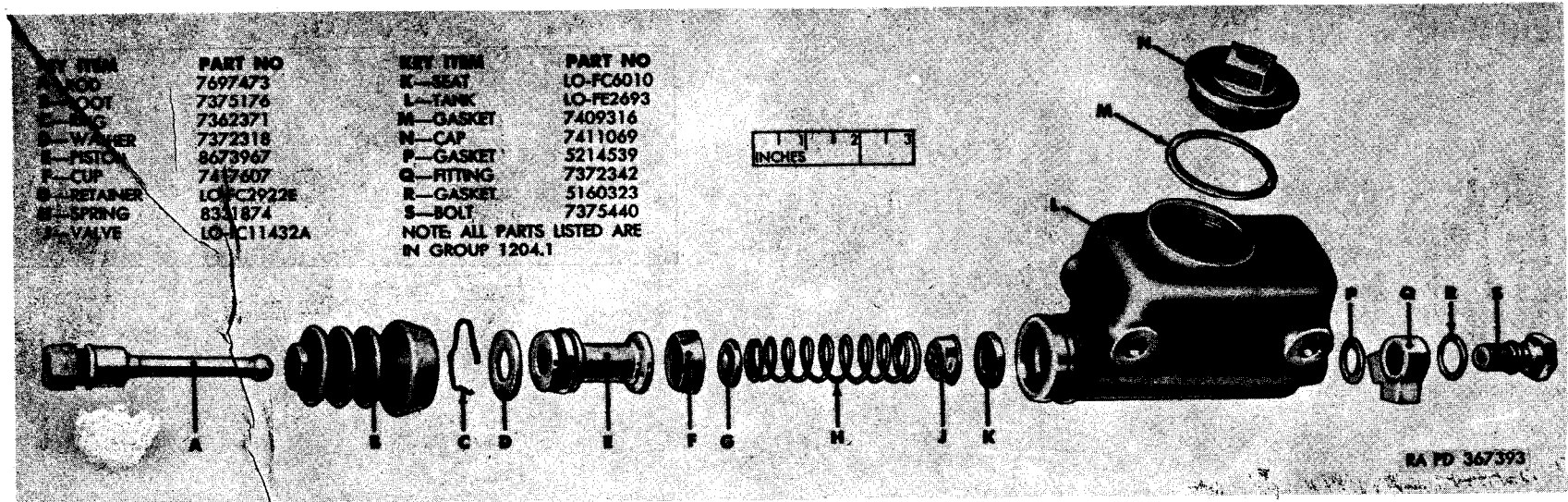
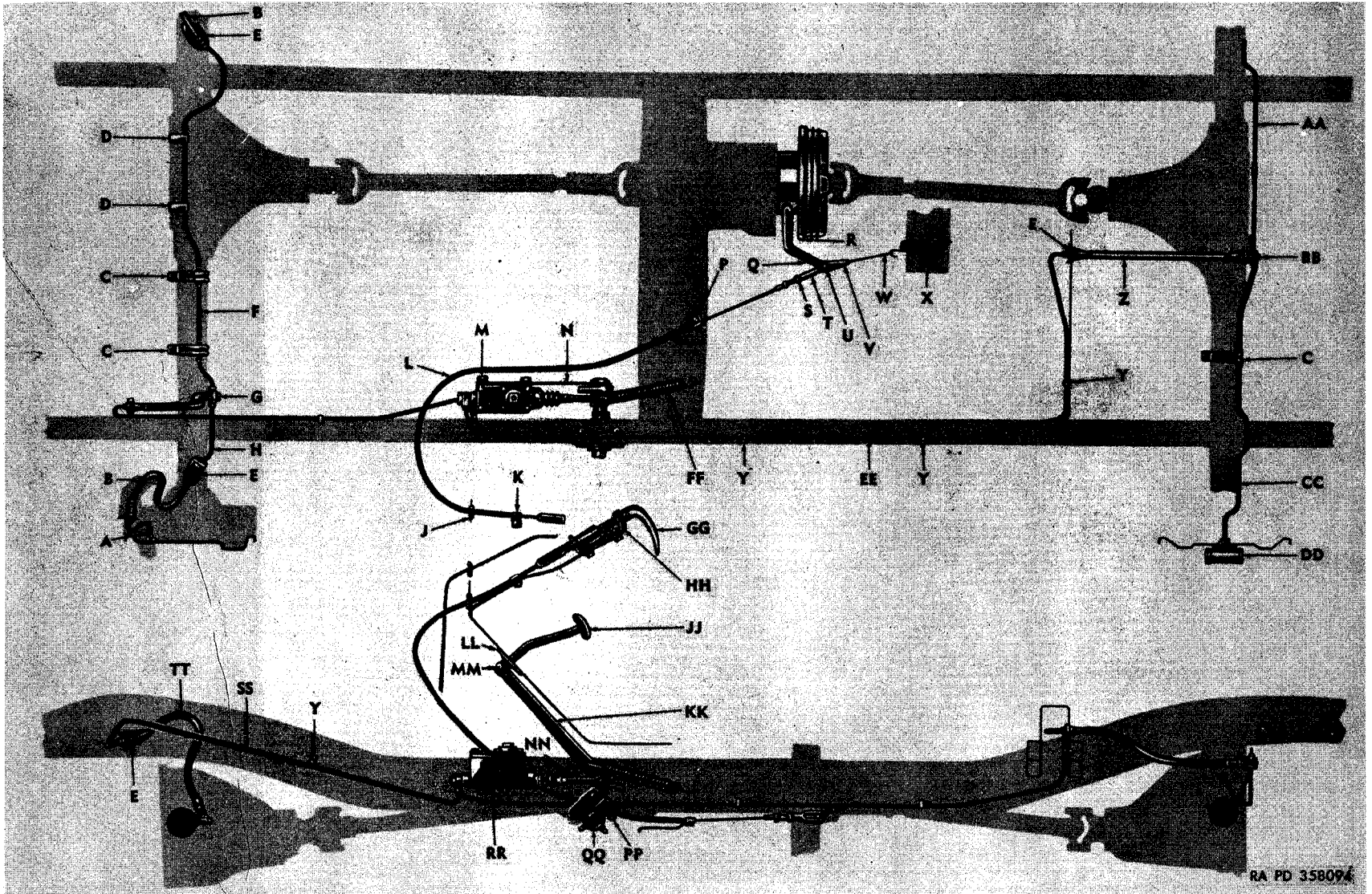


Figure 12-4. Brake master cylinder, assy (7416478)—exploded view







RA PD 358094

Figure 12-6. Brake system

Key	Item	Part No.	Group	Key	Item	Part No.	Group
A	-LINE, ASSY.....	7371009	1204.5	X	-SPRING.....	7371011	1201
B	-LINE, ASSY.....	7372836	1204.5	Y	-CLIP.....	432666	1204.5
C	-RING.....	7418146	1204.5	Z	-HOSE, ASSY.....	7372837	1204.5
D	-CLAMP.....	7372833	1204.5	AA	-TUBE, ASSY.....	8673474	1204.5
E	-CLIP.....	7735289	1204.5	BB	-TEE.....	7372343	1204.5
F	-TUBE, ASSY.....	8677345	1204.5	CC	-TUBE, ASSY.....	8673473	1204.5
G	-TEE.....	7372839	1204.5	DD	-CYLINDER, ASSY.....	8328443	1204.5
H	-TUBE, ASSY.....	8677344	1204.5	EE	-TUBE, ASSY.....	8673481	1204.5
J	-GROMMET.....	7000997	1201	FF	-SPRING.....	8387940	1206
K	-CLAMP.....	7348611	1201	GG	-HANDLE, ASSY.....	7697433	1201
L	-CABLE, ASSY.....	7375066	1201	HH	-BRACKET, ASSY.....	7371018	1201
M	-BOLT.....	9409117	1204.1	JJ	-PAD, ASSY.....	7697466	1206
N	-BAR.....	8677304	1204.1	KK	-PEDAL, ASSY.....	7697453	1206
P	-CLAMP.....	7697431	1201	LL	-PAD.....	8328436	1206
Q	-LEVER, ASSY.....	7697434	1201	MM	-BOLT.....	122027	1206
R	-DRUM.....	7371010	1201	NN	-BOLT.....	7697465	1204.1
S	-NUT.....	120368	1201	PP	-SCREW.....	120647	1206
T	-YOKE.....	144242	1201	QQ	-BRACKET, ASSY.....	7697452	1206
U	-PIN.....	7324852	1201	RR	-CYLINDER, ASSY.....	7697478	1204.1
V	-CLIP.....	7418001	1201	SS	-TUBE, ASSY.....	8673484	1204.5
W	-LINK.....	7697435	1201	TT	-LINE, ASSY.....	7372835	1204.5

Figure 12-6. Brake system—legend



(1) ILLUSTRATION NO.	(2) REFER- ENCE SYMBOLS	(3) ORDNANCE STOCK NO.	(4) FEDERAL STOCK NO.	(5) MFR'S PART NO.	(6) ORDNANCE PART NO.	(7) DESCRIPTION	(8) QUANTITY INCOR- PORATED IN UNIT	(9) UNIT OF ISSUE
<b>GROUP 12—BRAKES</b>								
<b>1201—HAND BRAKE</b>								
08-2		G740-7697430		SP-18-24-4 WG-A33-26 WO-A17253	7697430	BEARING, bushing type, operating lever.....	1	ea
12-1		G503-7377753		BX-47667 SP-7724X WG-AA33-19 WO-A10330	7377753	BRACKET, adj screw, assy.....	1	ea
12-1	H1	H101-0123391	012-3391		123391	BOLT, MACHINE, cap, hex-hd, S, cd or zn-pltd, $\frac{3}{8}$ -24NF-3 x $\frac{9}{16}$	1	ea
12-1	H1	H001-7025741	012-0382		120382	WASHER, LOCK, med, reg, S, cd or zn-pltd, $\frac{3}{8}$ in.....	1	ea
				WO-673725		BRACKET, hand brake ratchet tube.....	1	ea
12-1, 6		G503-7371018	2530-737-1018	WO-639010	7371018	BRACKET, ratchet, w/GUIDE and SPRING, assy.....	1	ea
12-1	H1	H001-5419821	012-0741		120741	BOLT, MACHINE, cap, hex-hd, S, cd or zn-pltd, $\frac{5}{16}$ -24NF-3 x $\frac{3}{4}$	1	ea
12-1	H1	H001-4167561	012-0368		120368	NUT, PLAIN, HEXAGON, light, s-fin, cd or zn-pltd, $\frac{5}{16}$ -24NF-2	2	ea
12-1	H1	H101-0446363	5310-044-6363		446363	WASHER, FLAT, hv series, cd or zn-pltd, S, $\frac{3}{8}$ ID, $\frac{7}{8}$ OD, 0.083 thk	2	ea
12-1	H1	H001-7025711	5310-012-0214		120214	WASHER, LOCK, med, S, cd or zn-pltd, $\frac{5}{16}$ in.....	2	ea
08-2; 12-1				BX-48534 SP-6935X WG-AS1A33 WO-642776	D72450	BRAKE, hand, internal expanding type, assy.....	1	ea
12-1, 6		G740-7375066		WO-649879	7375066	CABLE, w/TUBE, assy.....	1	ea
12-1, 6		G503-7324852		WO-311003	7324852	PIN, clevis, S, $\frac{5}{16}$ x $\frac{7}{8}$ (dimensions shown are diam and lgh under hd to c/l of hole)	1	ea
12-1	H1	H101-0119117	011-9117		119117	PIN, COTTER, split, S, pltd, $\frac{3}{32}$ x $\frac{1}{2}$ .....	1	ea
12-1, 6		G740-7348611		WO-638781	7348611	CLAMP, cable tube (at air cleaner bracket).....	1	ea
12-1	H1	H001-5419841			120213	BOLT, MACHINE, cap, hex-hd, S, cd or zn-pltd, $\frac{5}{16}$ -24NF-3 x $\frac{7}{8}$	1	ea
12-1	H1	H001-4167561	012-0368		120368	NUT, PLAIN, HEXAGON, light, s-fin, S, cd or zn- pltd, $\frac{5}{16}$ -24NF-2	1	ea
12-1	H1	H001-7025711	012-0214		120214	WASHER, LOCK, med, S, cd or zn-pltd, $\frac{5}{16}$ in.....	1	ea
12-1, 6		G740-7697431		WO-A8847	7697431	CLAMP, cable tube (at cross member).....	1	ea
12-1	H1	H001-5419841	012-0213		120213	BOLT, MACHINE, cap, hex-hd, S, cd or zn-pltd, $\frac{5}{16}$ -24NF-3 x $\frac{7}{8}$	1	ea

12-1	H1	H001-4040521	050-3345		503345	NUT, SELF-LOCKING, HEXAGON, S, cd or zn-pltd, $\frac{5}{16}$ -24NF-3 (critical installations)	1	ea
12-1		G740-7047998	5340-704-7998	WO-A5449	7047998	CLIP, open, $\frac{3}{16}$ diam hole for No. 10 screw (hand brake cable to fender)	1	ea
12-1	H1	H001-4135661	012-0361		120361	NUT, PLAIN, HEXAGON, mach screw, S, cd or zn-pltd, No. 10 (0.190)-24NC-2	1	ea
12-1	H1	H001-5148251	5305-012-0221		120221	SCREW, MACHINE, rd-hd, S, cd or zn-fin, No. 10 (0.190)-24NC-2 x $\frac{1}{2}$	1	ea
	H1	H001-7025621	5310-012-0217		120217	WASHER, LOCK, med, S, cd or zn-pltd, No. 10, 0.194 ID, 0.337 OD (superseded by WASHER, 121801)	1	ea
12-1	H1	H001-7021681	5310-012-1801		121801	WASHER, LOCK, S, cd or zn-fin, style No. 2, 0.365 in OD, No. 10 screw size (supersedes WASHER, 120217)	1	ea
		G740-7372668		WO-642724	7372668	CLIP, open, ru, covered, $\frac{11}{64}$ diam hole for $\frac{3}{8}$ bolt (use same attaching parts as engine stay cable front)	1	ea
12-1, 6		G503-7418001		WO-641921	7418001	CLIP, operating lever retracting spring	1	ea
08-2;		G503-7371010	2530-737-1010	SP-20-B-81	7371010	DRUM, hand brake	1	ea
12-1, 6				WO-A9332				
08-2; 12-1		G503-7373177	5305-737-3177	SP-6-73-122	7373177	BOLT, hex-hd, S, $\frac{3}{8}$ -24NF-3 x $1\frac{3}{8}$	4	ea
				WO-A6084				
08-2; 12-1	H1	H001-4171601	012-1932		121932	NUT, plain, hexagon, s-fin, S, light, cd or zn-pltd, $\frac{3}{8}$ -24NF-3	4	ea
08-2; 12-1	H1	H001-7025741	5310-012-0382		120382	WASHER, LOCK, med, reg, S, cd or zn-pltd, $\frac{3}{8}$ in	4	ea
08-2; 12-1		G503-7539155		SP-18-223-6	7539155	GASKET, backing plate to transier bearing cap	1	ea
				WG J2A145				
				WO-A10052				
12-1, 6		G518-7000997		WO-800802	7000997	GROMMET, split, ru, $1\frac{3}{32}$ ID (hand brake cable through dash)	1	ea
12-1; 18 3		G740-7697432		WO-800748	7697432	HANDLE, cable	1	ea
12-6		G740-7697433		WO-800753	7697433	HANDLE, cable, w/ratchet TUBE, assy	1	ea
12-1		G740-6264303		BX-47670	6264303	LEVER, cam	1	ea
				SP-6B14				
				WG-A33-2				
				WO-A10333				
08-2;		G740-7697434	2520-769-7434	SP-7898X	7697434	LEVER, operating, w/BEARING, assy	1	ea
12-1, 6				WG-AA33-1A				
				WO-800811				
08-2; 12-1	H1	H101-0125348	012-5348		125348	NUT, SLOTTED, hexagon, lt, thk, s-fin, S, cd or zn-pltd, $\frac{3}{8}$ -24NF-2	1	ea
08-2; 12-1	H1	H001-0811039	010-3373		103373	PIN, COTTER, split, S, $\frac{3}{32}$ x $\frac{3}{4}$	1	ea
08-2; 12-1	H1	H001-0829588	011-2009		112009	PIN, STRAIGHT, HEADLESS, sq-end, S, plain, $\frac{1}{8}$ x $\frac{3}{4}$	1	ea
08-2; 12-1		G503-7371859	5305-737-1859	SP-223V	7371859	STUD, S, cd-pltd, $\frac{3}{8}$ -24NF-3 (threaded one end)	1	ea
				WG-A33-27				
				WO-A9339				

(1) ILLUSTRATION NO.	(2) REFER- ENCE SYMBOLS	(3) ORDNANCE STOCK NO.	(4) FEDERAL STOCK NO.	(5) MFR'S PART NO.	(6) ORDNANCE PART NO.	(7) DESCRIPTION	(8) QUANTITY INCOR- PORATED IN UNIT	(9) UNIT OF ISSUE
<b>GROUP 12--BRAKES--Continued</b>								
<b>1201 -- HAND BRAKE--Continued</b>								
<b>LEVER--Continued</b>								
		G740-7697434 G503-7371762	2520-769-7434 5310-737-1762	SP-7898X SP-14W WG-X2825 WO-A9338	7697434 7371762	WASHER, FLAT, 0.390 ID, 3/4 OD, 0.062 thk (super- seded by WASHER, H101-0502204)	1	ea
08-2; 12-1	H1	H101-0502204	5310-050-2204		502204	WASHER, plain, S, cd or zn-pltd, 25/64 ID x 5/8 OD x 0.064 thk (supersedes WASHER, G593-7371762)	1	ea
12-1		G503-7377756	5310-737-7756	BX-47675 SP-417J WG-A33-17 WO-A10335	7377756	NUT, PLAIN, CAP, adj, sp, hex, S, No. 12-28NF-2 (operating lever link)	1	ea
12-1				BX-901835K6 SP-418J WG-X1784 WO-53379	A304426	NUT, jam, hex, S, No. 12 (0.216)-28NF-2	1	ea
				BX-47885 SP-4B33 WO-A10329	C127238	LINING, brake shoe	2	ea
				BX-70S25 SP-259R WG-X3004CT WO-640102	A304430	RIVET, tubular, sp, br, 9/64 x 7/32, 19/64 hd diam	16	ea
12-1		G503-7377755		BX-47674 SP-27B62 WG-A33-7 WO-A10334	7377755	LINK, operating lever	1	ea
12-1, 6		G740-7697435		WO-A8860	7697435	LINK, operating lever retracting spring	1	ea
12-1		G503-7377751		BX-48256 SP-6936X WO-643454	7377751	PLATE, backing, w/anchor PIN, assy	1	ea
12-1		G503-7377754		BX-47668 SP-991D WG-A33-35 WO-A10331	7377754	SCREW, adj, shoe (LH thd)	1	ea
12-1		G740-6264302		BX-47669 SP-992D WG-A33-34 WO-A10332	6264302	SCREW, adj, shoe (RH thd)	1	ea

			BX-47662 SP-6526X WG-AA33-12 WO-A10325	C127235	SHOE, welded, assy.....	2	ea
12-1	G503-7377752		BX-47661 SP-6525X WG-IAA33-12 WO-A10324	7377752	SHOE, w/LINING, assy.....	2	ea
12-1	G503-7377757	5340-737-7757	BX-47676 SP-34B23 WG-A33-31 WO-A10336	7377757	SPRING, compression, 0.0507 wire diam, 29 coils, $1\frac{1}{32}$ OD, $2\frac{5}{32}$ free lgh (cam lever retaining)	1	ea
12-1			BX-901138K6 SP-838W WG-X2846 WO-53538	A304427	WASHER, cam lever retaining spring seat.....	2	ea
12-1, 6	G503-7371011		WO-A5335	7371011	SPRING, retracting, cable end.....	1	ea
12-1	G503-7377758		BX-47677 SP-34B24 WG-A33-33 WO-A10337	7377758	SPRING, tension, S, 0.076 wire diam, 35 coils $2\frac{3}{4}$ OD, $4\frac{1}{8}$ overall lgh (shoe retracting)	1	ea
12-1	G503-7377759		BX-47678 SP-34B25 WG-A33-32 WO-A10338 WO-646144	7377759	SPRING, tension, S, 0.080 wire diam, 29 coils $\frac{3}{8}$ OD, 4 overall lgh (shoe retracting, adj end)	1	ea
12-1	H1	H101-0145378	014-5378	8677292	TUBE, hand brake ratchet.....	1	ea
12-1				145378	SCREW, DRIVE, metallic, rd-hd, S, cd or zn-pltd, No. 6 (0.138) x $\frac{5}{16}$ in	2	ea
12-1, 6	H1	H101-0144242		144242	YOKE, rod end, adj, lt, S, cd or zn-pltd, $\frac{5}{16}$ -24NF-2	1	ea
12-1, 6	H1	H001-4167561	012-0368	120368	NUT, PLAIN, HEXAGON, reg, s-fin, S, $\frac{5}{16}$ -24NF-2	1	ea
<b>1202-SERVICE BRAKE ASSEMBLY</b>							
10-6			WO-800145	8673346	BRAKE, front, left, assy.....	1	ea
			WO-800146	8673347	BRAKE, front, right, assy.....	1	ea
			WO-800147	8673348	BRAKE, rear, left, assy.....	1	ea
11-4			WO-800148	8673349	BRAKE, rear, right, assy.....	1	ea
12-2	G503-7377745		BX-41876 WO-637900	7377745	CAM, shoe anchor pin.....	8	ea
12-2	G503-7377746	2530-352-1914	BX-45771 WO-A754	7377746	ECCENTRIC, adjusting, shoe.....	8	ea
12-2	H1	H001-4167601	012-0369	120369	NUT, PLAIN, hexagon, light, s-fin, S, $\frac{3}{8}$ -24NF-2	8	ea
12-2	H1	H001-7025741	5310-012-0382	120382	WASHER, lock, med, S, cd or zn-pltd, $\frac{3}{8}$ in	8	ea
11-4		G740-7697463		7697463	GASKET, rear brake grease protector.....	4	ea
12-2			WO-640886 BX-1067S3 WO-116551		LINING, front brake shoe.....	4	ea

(1) ILLUSTRATION NO.	(2) REFER- ENCE SYMBOLS	(3) ORDNANCE STOCK NO.	(4) FEDERAL STOCK NO.	(5) MFR'S PART NO.	(6) ORDNANCE PART NO.	(7) DESCRIPTION	(8) QUANTITY INCOR- PORATED IN UNIT	(9) UNIT OF ISSUE
<b>GROUP 12—BRAKES—Continued</b>								
<b>1202—SERVICE BRAKE ASSEMBLY—Continued</b>								
12-2				BX-1067S4 WO-116552		LINING, rear brake shoe.....	4	ea
12-2		G518-7001411		WO-374586	7001411	RIVET, tubular, sp, br, $\frac{3}{64}$ x $\frac{1}{4}$ , $\frac{19}{64}$ hd diam.....	80	ea
12-2		G529-7412176		BX-39953 WO-637899	7412176	PIN, anchor, shoe.....	8	ea
	H1	H001-4167685	011-5731		115731	NUT, PLAIN, HEXAGON, lt, s-fin, S, phos-ctd, $\frac{1}{2}$ -20NF-2 (superseded by NUT, BX-48069)	8	ea
12-2				BX-48069 WO-805465		NUT, hex, lt, s-fin, S, phos-ctd, $\frac{1}{2}$ -20NF-2 (super- sedes NUT, 115731)	8	ea
12-2	H1	H101-0131203 G503-5627204	013-1203		131203	WASHER, LOCK, lt, S, phos-ctd, $\frac{1}{2}$ in.....	8	ea
				WO-800747	5627204	PLATE, backing, brake, assy (superseded by PLATE, WO-641917)	4	ea
12-2		G503-5627204	2530-562-7204	WO-641917	5627204	PLATE, backing, brake, assy (supersedes PLATE WO-800747)	4	ea
	H1	H001-5421301	012-1615		121615	BOLT, MACHINE, hex-hd, S, cd or zn-pltd, $\frac{3}{8}$ -24NF- 3 x $1\frac{1}{4}$ (used on vehicles through serial No. 21885)	12	ea
11-4	H1	H001-5455301	018-1639		181639	BOLT, MACHINE, hex-hd, S, 85,000 psi yield strength, cd or zn-pltd, $\frac{3}{8}$ -24NF-3 x $1\frac{1}{4}$ (used on vehicles after serial No. 21885)	12	ea
	H1	H001-5421220	010-0025	SP-S-1310 WO-A877	100025	BOLT, MACHINE, hex-hd, S, $\frac{3}{8}$ -24NF-3 x $\frac{7}{8}$ .....	4	ea
11-4	H1	H101-0271193			271193	NUT, hex, lt, w/ext-teeth lock washer, S, cd or zn- pltd, $\frac{3}{8}$ -24NF-2B (rear backing plate) (for service only)	12	ea
	H1	H001-4171601			121932	NUT, PLAIN, HEXAGON, lt, s-fin, S, cd or zn-pltd, $\frac{3}{8}$ -24NF-2 (rear backing plate) (for service use NUT, H101-0271193)	12	ea
	H1	H001-7025741	012-0382		120382	WASHER, LOCK, med, S, cd or zn-pltd, $\frac{3}{8}$ in (front and rear wheel brake) (rear backing plate) (for service use NUT, H101-0271193)	12	ea
12-2		G085-7735449		BX-39956 WO-637901	7735449	PLATE, shoe anchor pin.....	4	ea
12-2				WO-906275		SHOE, front, rear (w/o LINING).....	2	ea
		G503-7735544		BX-1141S1 WO-116549	7735544	SHOE, front, w/LINING, assy.....	4	ea

		G529-7412178		BX-1141S2 WO-116550	7412178	SHOE, rear, w/LINING, assy.....	4	ea
11-4		G740-7697464		WO-640888	7697464	SLINGER, grease, rear brake.....	2	ea
12-2		G529-7412179		BX-41545 WO-637905	7412179	SPRING, retracting, shoe.....	4	ea
<b>1204.1 — MASTER CYLINDER</b>								
02-2; 12-6				WO-647592	8677304	BAR, tie.....	1	ea
12-6	H1	H101-9409117			9409117	BOLT, MACHINE, hex-hd, w/spring lockwasher, S, cd or zn-pltd, $\frac{3}{8}$ -24NF-2 x 3	2	ea
12-6		G740-7697465	5305-769-7465	WO-647606	7697465	BOLT, eye, $\frac{1}{16}$ -20NF (pedal to master cylinder).....	1	ea
	H1	H001-4167641	012-0370		120370	NUT, PLAIN, HEXAGON, lt, s-fin, S, cd or zn-pltd, $\frac{7}{16}$ -20NF-2	1	ea
	H1	H101-0121222	012-1222		121222	PIN, COTTER, split, S, cd or zn-pltd, $\frac{3}{32}$ x $\frac{3}{4}$ .....	1	ea
	H1	H001-7043771	5310-012-0395		120395	WASHER, FLAT, light series, S, cd or zn-pltd, $\frac{7}{16}$ in, $\frac{15}{32}$ ID, $\frac{59}{64}$ OD, 0.065 thk (supersedes WASHER, G503-7324834)	1	ea
		G503-7324834	5310-732-4834	WO-52835	7324834	WASHER, sp, S, plain, $\frac{7}{16}$ in (superseded by WASHER, 120395)	1	ea
12-3, 4		G503-7375440		LO-FC3474 WO-637605	7375440	BOLT, sp, hex-hd, S, $\frac{1}{2}$ -20NF-2 x $1\frac{5}{32}$ (master cylinder outlet fitting)	1	ea
12-3, 4		G740-7375176		LO-FC12496 WO-801937	7375176	BOOT (eye bolt to tank).....	1	ea
12-3		G740-7539310	753-9310	LO-FC11940 WO-800713	7539310	CAP, filler (used in CYLINDER, G740-7697478).....	1	ea
		G740-7418139		LO-FC14078 WO-119161	7418139	CAP, filler (superseded by CAP, G740-7411069) (used w/CYLINDER, G740-7416478)	1	ea
12-4		G744-7411069		LO-FC14577 WO-119513	7411069	CAP, filler (used w/CYLINDER, G740-7416478) (supersedes CAP, G740-7418139)	1	ea
12-3		G740-7697477	2530-359-0456	LO-FC10945 WO-647297	7697477	COVER (use w/CYLINDER, G740-7697478).....	1	ea
		G740-7697575	5305-769-7575	WO-648277	7697575	SCREW, hex-hd, S, No. 14 (0.242) x $\frac{3}{4}$ in (superseded by SCREW, H101-0111655)	6	ea
12-3	H1	H101-0111655	5305-011-1655		111655	SCREW, TAPPING, THREAD FORMING, hex-hd, blunt-pt, sh-met-thd, S, cd or zn-pltd, No. 14 (0.243) x $\frac{3}{4}$ in (supersedes SCREW, G740-7697575)	6	ea
12-3, 4		G503-7417607		LO-FD2108 WO-637590	7417607	CUP, piston, primary (ru).....	1	ea
12-3, 6		G740-7697478		LO-FE3441 WO-648069	7697478	CYLINDER, master, assy (AL body) (optional w/CYLINDER, G740-7416478)	1	ea
12-4		G740-7416478		LO-FN14054 WO-805238	7416478	CYLINDER, master, assy (CI body) (optional w/CYLINDER, G740-7697478)	1	ea
12-3, 4		G503-7372342		LO-FC5727 WO-A557	7372342	FITTING, outlet.....	1	ea

(1) ILLUSTRATION NO.	(2) REFER- ENCE SYMBOLS	(3) ORDNANCE STOCK NO.	(4) FEDERAL STOCK NO.	(5) MFR'S PART NO.	(6) ORDNANCE PART NO.	(7) DESCRIPTION	(8) QUANTITY INCOR- PORATED IN UNIT	(9) UNIT OF ISSUE
<b>GROUP 12—BRAKES—Continued</b>								
<b>1204.1—MASTER CYLINDER—Continued</b>								
12-4		G744-7409316	2530-740-9316	LO-FC7370 WO-119162	7409316	GASKET, filler cap (used w/CYLINDER, G740-7416478)	1	ea
12-3		G740-7697476		LO-FC10946 WO-647289	7697476	GASKET, cover (used w/CYLINDER, G740-7697478)	1	ea
12-3		G742-7373354		LO-FC3587 WO-648974	7373354	GASKET, filler cap (used w/CYLINDER, G740-7697478)	1	ea
12-3, 4		G508-5214539		LO-FC602 WO-637604	5214539	GASKET, cop, 0.510 ID, $\frac{13}{16}$ OD, $\frac{1}{32}$ thk (outlet fitting)	1	ea
12-3, 4		G508-5160323		LO-FC603 WO-637606	5160323	GASKET, cop, 0.600 ID, $\frac{13}{16}$ OD, 0.032 thk (outlet fitting bolt)	1	ea
12-3, 4				LO-FC11140 WO-647286	8673967	PISTON, assy (includes secondary CUP and RETAINER)	1	ea
12-3, 4				LO-FC2922E		RETAINER, piston return spring (part of SPRING, G740-7418140)	1	ea
12-3, 4		G740-7697473		LO-FC11067 WO-647282	7697473	ROD, push, cylinder	1	ea
				LO-FC6666 WO-643672		SEAT, piston return spring (superseded by SEAT, WO-119153)	1	ea
				WO-119153		SEAT, piston return spring (supersedes SEAT, LO-FC6666) (superseded by SEAT, LO-FC6010)	1	ea
12-3, 4		9240-FC6010	2530-378-7735	LO-FC6010 WO-637583		SEAT, piston return spring (supersedes SEAT, WO-119153)	1	ea
		G740-7697479		WO-800027	7697479	SHIELD, assy	1	ea
		G740-7697472	2530-359-0880	LO-FC10164 WO-643674	7697472	SPRING, HELICAL COMPRESSION, piston return, w/RETAINER, assy (superseded by SPRING, G740-7418140)	1	ea
		G740-7418140	5340-741-8140	WO-119152	7418140	SPRING, piston return, w/RETAINER, assy (supersedes SPRING, G740-7697472) (superseded by SPRING, LO-FC11473A)	1	ea
		G740-7418140	5340-741-8140	LO-FC11473A WO-647492	7418140	SPRING, piston return, w/RETAINER and VALVE, assy	1	ea
				LO-FC2922E	8331874	Composed of: 1 RETAINER 1 SPRING 1 VALVE (supplied only as components)		
				LO-FC11432A				

12-3, 4		G758-8331874		LO-FC11471 WO-811646	8331874	SPRING, piston return, w/RETAINER, assy (part of SPRING, assy, G740-7418140)	1	ea
12-3				LO-FE3111 WO-800023		TANK, supply (AL) (used w/CYLINDER, G740-7697478)	1	ea
12-4				LO-FE2693 WO-643671		TANK, supply (CI) (used w/CYLINDER, G740-7416478)	1	ea
12-3, 4				LO-FC11432A WO-811645		VALVE, check (part of SPRING, G740-7418140)	1	ea
12-3, 4		G503-7372318		LO-FC14297 WO-637597	7372318	WASHER, FLAT, piston	1	ea
12-3, 4		G503-7362371	736-2371	LO-FC2927 WO-637598	7362371	RING, locking	1	ea
<b>1204.3—WHEEL CYLINDERS</b>								
		G740-7348610		LO-FC13091 WO-802551	7348610	BOOT, wheel cylinder (for 3/4 in rear cylinder)	4	ea
12-5		G740-7348609		LO-FC13090 WO-802550	7348609	BOOT, wheel cylinder (for 1 in front or 7/8 in rear cylinder)	4	ea
12-5		G085-7735312		LO-FC1499 WO-637579	7735312	CUP, front wheel cylinder (1 in cylinder)	4	ea
		G503-7348852		LO-FC4158 WO-A6116	7348852	CUP, rear wheel cylinder (3/4 in cylinder)	4	ea
		G740-7412945		BX-302093 LO-FD13092 WO-800053	7412945	CYLINDER, hydraulic, front wheel brake, assy (for service, use CYLINDER, G758-8328442)	2	ea
12-5		G758-8328442		BX-303141 LO-FD16534 WO-807356	8328442	CYLINDER, hydraulic, front wheel brake, assy (use for service only)	2	ea
		G740-7697455	2530-769-7455	BX-302094 LO-FD13093B WO-800055	7697455	CYLINDER, hydraulic, rear wheel brake, assy (superseded by CYLINDER, G758-8328443)	2	ea
12-2, 6		G758-8328443		WO-807357	8328443	CYLINDER, hydraulic, rear, wheel brake assy (supersedes CYLINDER, G740-7697455)	2	ea
12-2, 5	H1	H001-5417521	012-1797		121797	SCREW, MACHINE, hex-hd, S, cd or zn-pltd, 1/4-20NC-3 x 3/8	8	ea
12-2, 5	H1	H001-7021741	5310-012-0423		120423	WASHER, LOCK, S, cd or zn-fin, style No. 2, 0.46 OD, 1/4 in bolt	8	ea
12-5				LO-FD7378A WO-A1737	8677093	CYLINDER, front wheel brake	2	ea
				LO-FD7544A WO-A6112	8677097	CYLINDER, rear wheel brake	2	ea
				LO-FC10311 WO-642014		INSERT, shoe (use w/CYLINDER, G758-8328442)	4	ea
				LO-FC12416		INSERT, shoe (use w/CYLINDER, G758-8328443)	4	ea



1204.3

250

(1) ILLUSTRATION NO.	(2) REFER- ENCE SYMBOLS	(3) ORDNANCE STOCK NO.	(4) FEDERAL STOCK NO.	(5) MFR'S PART NO.	(6) ORDNANCE PART NO.	(7) DESCRIPTION	(8) QUANTITY INCOR- PORATED IN UNIT	(9) UNIT OF ISSUE
<b>GROUP 12—BRAKES—Continued</b>								
<b>1204.3—WHEEL CYLINDERS—Continued</b>								
		G740-7697457		LO-FC8777C WO-A6115	7697457	INSERT, shoe (use w/CYLINDER, G740-7697455).....	4	ea
		G740-7697456		LO-FC5995A WO-637543	7697456	INSERT, shoe (use w/CYLINDER, G740-7412945).....	4	ea
		G740-7697459		LO-FC5889K WO-637578	7697459	PISTON, front wheel brake cylinder.....	4	ea
		G758-8328444		LO-FC10310 WO-642013	8328444	PISTON, front wheel cylinder, assy (1 in diam) (use w/CYLINDER, G758-8328442)	4	ea
12-5		G503-7372348		LO-FC5997 WO-637577	7372348	PISTON, front wheel cylinder, assy (1 in diam) (use w/CYLINDER, G740-7412945)	4	ea
		G740-7697460		LO-FC8776 WO-A6114	7697460	PISTON, rear wheel cylinder.....	4	ea
		G758-8328445		LO-FC16536 WO-807411	8328445	PISTON, rear wheel cylinder, assy (¾ in diam) (use w/CYLINDER, G758-8328443)	4	ea
		G503-7372361		LO-FC8778 WO-A6113	7372361	PISTON, rear wheel cylinder, assy (¾ in diam) (use w/CYLINDER, G740-7697455)	4	ea
		G740-7372838		LO-FC5999A WO-637539	7372838	SEAT, tube, rear wheel cylinder.....	4	ea
12-5		G740-7697461		LO-FC3024B WO-639949	7697461	SPRING, HELICAL COMPRESSION, return, front wheel cylinder piston	2	ea
		G503-7371112	5340-263-5171	LO-FC6003 WO-637545	7371112	SPRING, HELICAL COMPRESSION, return, rear wheel cylinder piston	2	ea
12-5		G740-7697462		LO-FC12411 WO-648674	7697462	VALVE, bleeder.....	4	ea
<b>1204.5—LINES AND FITTINGS</b>								
				SP-18176 WO-649767		BRACKET, left front flexible line.....	1	ea
11-2				SP-18602 WO-802509	8677054	BRACKET, rear axle brake line tee.....	1	ea
				SP-18175 WO-649768		BRACKET, right front flexible line.....	1	ea
		G503-7371002		WO-A1515	7371002	CLAMP, hose, 2½ ID (axle brake tube) (superseded by CLAMP, H006-0502923)	3	ea

	H6	H006-0502923		502923	CLAMP, hose, cd or zn-pltd, 2½ ID (axle brake tube) (supersedes CLAMP, G503-7371002) (superseded by RING, G740-7418146)	3	ea	
	H1	H001-4139681	012-0611	120611	NUT, PLAIN, SQUARE, S, cd or zn-pltd, No. 10 (0.190)-32NF-2 (superseded by NUT, 120619)	3	ea	
	H1	H001-4051541	012-0619	120619	NUT, PLAIN, SQUARE, S, cd or zn-pltd, No. 10 (0.190)-24NC-2 (supersedes NUT, 120611)	3	ea	
	H1	H001-5148921	5305-013-2930	132930	SCREW, MACH, rd-hd, S, cd or zn-pltd, No. 10 (0.190)-32NF-2 x 1½ (superseded by SCREW, 132855)	3	ea	
	H1	H001-5148341	5305-013-2855	132855	SCREW, MACHINE, rd-hd, S, cd or zn-fin, No. 10-24NC-2A x 1½ (supersedes SCREW, 132930)	3	ea	
12-6		G740-7372833	5340-737-2833	WO-A1378	7372833	CLAMP, LOOP TYPE, closed, ⅜ in (brake line)	2	ea
		G740-7372832		WO-645539	7372832	CLIP, closed, ⅜ in (brake line to side rail) (for ⅜ in line) (superseded by CLIP, H104-0432666)	4	ea
12-6	H4	H104-0432666			432666	CLIP, closed, ⅜ in (brake line to side rail) (for ⅜ in line) (supersedes CLIP, G740-7372832)	4	ea
12-6		G085-7735289		WO-637427	7735289	CLIP, lock, hose to bracket	6	ea
		G740-7372834		WO-637426	7372834	GASKET, cop (brake line tee fitting)	2	ea
10-4		G740-7032625		SP-18590	7032625	GUARD, front wheel flexible line	2	ea
				WO-802298				
12-6		G740-7372837		WO-800952	7372837	HOSE, HYDRAULIC SYSTEM, flexible, rear axle tee to master cylinder line, assy (15 in lg)	1	ea
12-6		G740-7372835		WO-800896	7372835	LINE, flexible, front axle tee to master cylinder line, assy (11 in lg)	1	ea
12-6		G740-7372836		WO-800953	7372836	LINE, flexible, left and right, front brake, assy (6 in lg)	2	ea
12-6		G503-7371009	2530-368-4866	WO-A1488	7371009	LINE, front wheel cylinder to flex line, assy	2	ea
					142431	Composed of: 2 NUT		
12-6						1 TUBE, S, seamless, pltd, ⅜ OD, 0.030 thickness of wall (dev lgh 5¼) (use TUBING, 44-T-5080-10)	1	ea
	H6	H006-0230209	014-2431		142431	NUT, inverted flared tube coupling, br, plain, ⅜-24NF-2 x ⅜, male thd (brake lines) (optional w/NUT, 137396)	14	ea
	H6	H006-0230308	013-7396		137396	NUT, inverted flared tube fitting, S, cd or zn-pltd, ⅜-24NF-2 x ⅜ male thread (optional w/NUT, 142431)	14	ea
12-6		G740-7418146		UC-98382	7418146	RING, RETAINING, hose, 2 ID (axle brake tube) (supersedes CLAMP, H006-0502923) (used on vehicles after serial No. 34529)	3	ea
				WO-804201				
12-6		G740-7372839		WO-649859	7372839	TEE, axle, front	1	ea
				GM-9409105	9409105	BOLT, lock washer, hex-hd, S, cd or zn-pltd, ¼-20NC x 1⅜	1	ea
				WO-800224				
12-6		G503-7372343		LO-FC5778	7372343	TEE, brake tube, rear axle	1	ea
				WO-637432				
				GM-9409109	9409109	BOLT, lock washer, hex-hd, S, cd or zn-pltd, ¼-20NC x ⅜	1	ea
				WO-800225				

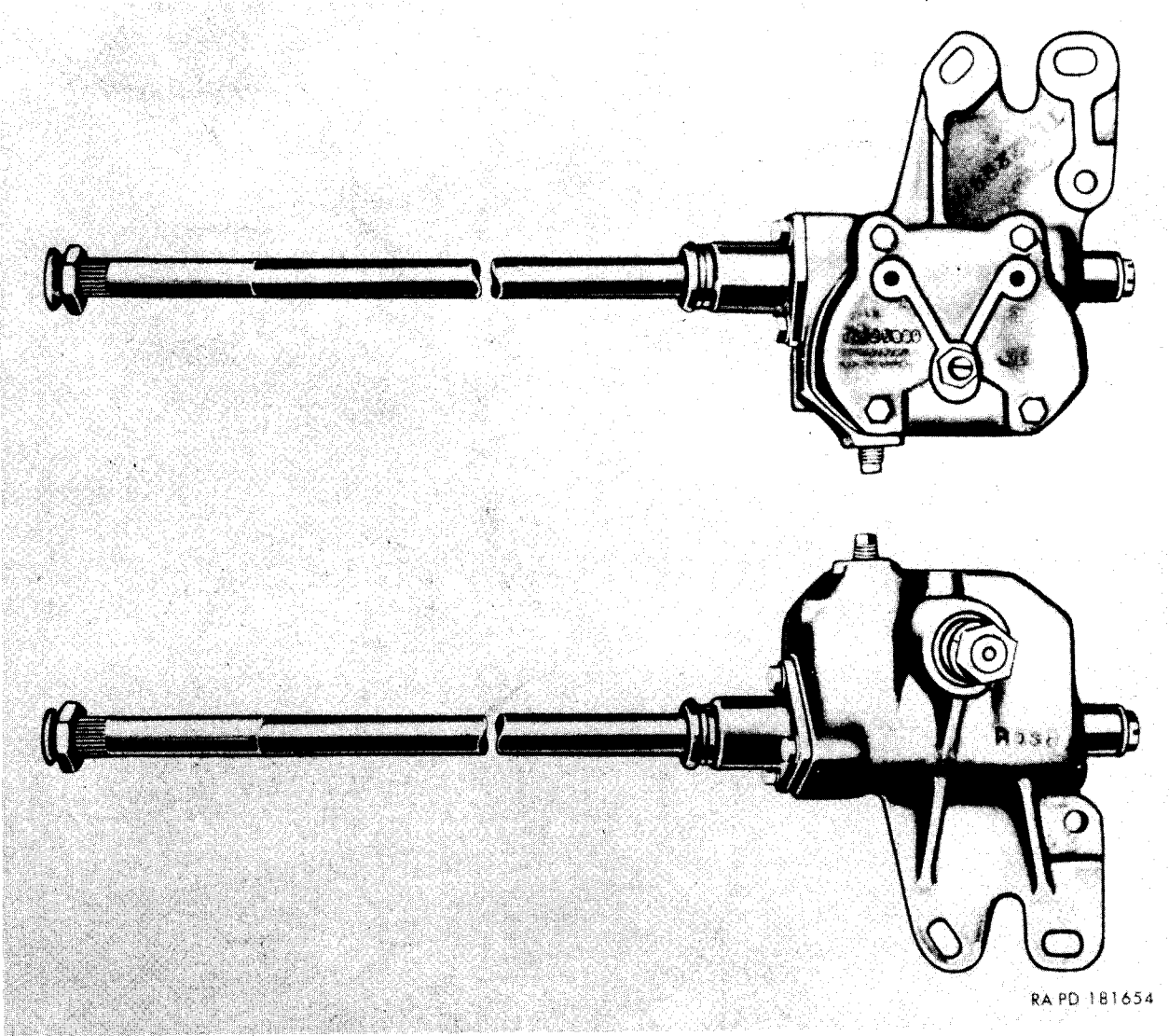
(1) ILLUSTRATION NO.	(2) REFER- ENCE SYMBOLS	(3) ORDNANCE STOCK NO.	(4) FEDERAL STOCK NO.	(5) MFR'S PART NO.	(6) ORDNANCE PART NO.	(7) DESCRIPTION	(8) QUANTITY INCOR- PORATED IN UNIT	(9) UNIT OF ISSUE
<b>GROUP 12—BRAKES—Continued</b>								
<b>1204.5—LINES AND FITTINGS—Continued</b>								
12-6				WO-801393	8677344	TUBE, front tee to left flexible line, assy ( $\frac{3}{16}$ tube, $6\frac{1}{2}$ in lg)	1	ea
12-6				WO-801394	8677345	TUBE, front tee to right flexible line, assy ( $\frac{3}{16}$ in tube, $33\frac{1}{8}$ in lg)	1	ea
12-6				WO-649860	8673484	TUBE, master cylinder, front, assy ( $\frac{3}{16}$ in tube, 36 in lg)	1	ea
12-6				WO-647544	8673481	TUBE, master cylinder, rear, assy ( $\frac{3}{16}$ in tube, $62\frac{9}{16}$ in lg)	1	ea
12-6				WO-640942	8673473	TUBE, rear tee to left wheel cylinder, assy ( $\frac{3}{16}$ in tube, $38\frac{11}{16}$ in lg)	1	ea
12-6				WO-640943	8673474	TUBE, rear tee to right wheel cylinder, assy ( $\frac{3}{16}$ in tube, $30\frac{9}{32}$ in lg)	1	ea
	H7	H007-0218040			44-T-5080-10	TUBING, cop, seamless, soft, anld, size $\frac{3}{16}$ in, 0.188 OD, thickness of wall 0.035 in	‡	ea
<b>1206—PEDAL AND CONNECTIONS</b>								
02-2		G740-7372840		WO-801664	7372840	BEARING, pedal shaft retainer bracket	2	ea
		G740-7697451		WO-663539	7697451	BRACKET, brake pedal spring	1	ea
				WO-801663	8673316	BRACKET, pedal shaft retainer	1	ea
12-6		G740-7697452	2530-769-7452	WO-801662	7697452	BRACKET, pedal shaft retainer, w/BUSHING, assy	1	ea
	H1	H001-4040541	050-3351		503351	NUT, SELF-LOCKING, HEXAGON, S, cd or zn-pltd, $\frac{3}{8}$ -24NF-3	3	ea
12-6	H1	H001-5421261	012-0647		120647	SCREW, hex-hd, S, cd or zn-pltd, $\frac{3}{8}$ -24NF-3 x 1	3	ea
	H16	H016-0504208	256-4307		504208	FITTING, LUBRICATION, hyd type, S, cd or zn-fin, $\frac{1}{8}$ -27NPT male thread, $\frac{1}{16}$ in overall lgh, ball check valve	2	ea
				WO-645575	8673963	PAD, brake pedal	1	ea
12-6		G740-7697466		WO-800754	7697466	PAD, brake pedal, assy	1	ea
12-6	H1	H001-5419221	012-2027		122027	BOLT, MACHINE, hex-hd, S, cd or zn-pltd, $\frac{5}{16}$ -18NC-3 x $1\frac{1}{4}$	1	ea
	H1	H101-0137223	013-7223		137223	PIN, COTTER, split, S, cd or zn-pltd, $\frac{5}{32}$ x $1\frac{3}{8}$ (super- seded by PIN, H101-0137228)	2	ea
	H1	H101-0137228	013-7228		137228	PIN, COTTER, split, S, cd or zn-pltd, $\frac{5}{32}$ x $1\frac{1}{2}$ (super- sedes PIN, H101-0137223)	2	ea
	H1	H001-7025711	012-0214		120214	WASHER, LOCK, med, S, cd or zn-pltd, $\frac{5}{16}$ in	1	ea

		G740-7372824		WO-A6359	7372824	PAD, brake pedal shank (used on vehicles through serial No. 63741)	1	ea
12-6		G758-8328436		WO-807208	8328436	PAD, brake pedal shank (used on vehicles after serial No. 63741)	1	ea
				WO-647634	8673397	PEDAL, brake (interchangeable w/PEDAL, 8673482)	1	ea
				WO-647635	8673482	PEDAL, brake (interchangeable w/PEDAL, 8673397)	1	ea
12-6; 18-3		G740-7697453		WO-800527	7697453	PEDAL, brake, assy	1	ea
02-2		G503-7340237		WO-A495	7340237	SHAFT, pedal, assy	1	ea
		G740-7697454		WO-650684	7697454	SPRING, clutch and brake pedal shank pad	1	ea
12-6		G503-8387940		WO-630593	8387940	SPRING, retracting, brake pedal	1	ea
		G740-7375065		WO-A6360	7375065	WASHER, brake pedal shank drive pad (for service use WASHER, 7954265)	1	ea
	H1	H101-0502242	5310-050-2242		502242	WASHER, FLAT, plain, S, 1 $\frac{1}{32}$ ID, 1 $\frac{3}{4}$ OD, 0.109 thk (brake pedal shaft) (supersedes WASHER, G740-7372827)	1	ea
		G740-7372827	5310-456-6298	WO-A498	7372827	WASHER, FLAT, sp, S, 1 $\frac{1}{32}$ ID, 1 $\frac{1}{2}$ OD, $\frac{1}{8}$ thk (brake pedal shaft) (superseded by WASHER, H101-0502242)	1	ea
				WO-641929	7954265	WASHER, plain, S, cd-pltd, 1 $\frac{1}{32}$ ID, 1 $\frac{3}{4}$ OD, 0.0747 thk (brake pedal shank drive pad) (for service only)	1	ea

(1) ILLUSTRATION NO.	(2) REFERENCE SYMBOLS	(3) ORDNANCE STOCK NO.	(4) FEDERAL STOCK NO.	(5) MFR'S PART NO.	(6) ORDNANCE PART NO.	(7) DESCRIPTION	(8) QUANTITY INCORPORATED IN UNIT	(9) UNIT OF ISSUE
						<b>GROUP 13—WHEELS, HUBS, AND DRUMS</b>		
						<b>1311—WHEELS, HUBS, AND DRUMS</b>		
	H14	H014-7328294		KHW-33551 WO-649877	7328294	BOLT, rivet type, wheel mounting, S, carburized, case hardened, 1/2-20NF-3 x 1.42 in rolled thd LH	10	ea
	H14	H014-7328293		KHW-33550 WO-649878	7328293	BOLT, rivet type, wheel mounting, carburized, case hardened, 1/2-20NF-3 x 1.42 in rolled thd RH	10	ea
10-4, 6; 11-4		G740-7375143		WO-800798	7375143	CAP, hub	4	ea
11-4	H12	H012-6149800			705447	CONE, tapered roller bearing, MIL-STD-CODE 711-25877-3000 (includes rollers and cage, SR, 1.3750 bore, 0.9688 width)	2	ea
10-4, 6	H12	H012-6141280			705423	CONE, tapered roller bearing, MIL-STD-CODE 711-18590-3000 (includes rollers and cage, SR, 1.6250 bore, 0.6875 width)	4	ea
11-4	H12	H012-6221700			706857	CUP, tapered roller bearing, MIL-STD-CODE 711-25821-1000 (SR, 2.8750 OD, 0.7500 width)	2	ea
10-4, 6	H12	H012-6219420			706836	CUP, tapered roller bearing, MIL-STD-CODE 711-18520-1000 (SR, 2.8750 OD, 0.5000 width)	4	ea
		G740-8332075		KHW-36567 WO-808769	8332075	DRUM, brake, front and rear (optional w/DRUM, G747-7328371) (for service only)	4	ea
		G740-7375139		KHW-33547 WO-649875	7375139	DRUM, brake, front and rear (optional w/DRUM, MW-33596A) (for service use DRUM, G740-8332075) (superseded by DRUM, G747-7328371)	4	ea
10-6		G747-7328371		MW-33596A WO-808770	7328371	DRUM, brake, front and rear (optional w/DRUM, G740-8332075) (for service only) (supersedes DRUM, G740-7375139)	4	ea
				MW-33596 WO-808595		DRUM, brake, front and rear (optional w/DRUM, G740-7375139) (for service use DRUM, G747-7328371)	4	ea
	H1	H101-0133757	5305-013-3757		133757	SCREW, MACHINE, fl-hd, S, cd or zn-pltd, 1/4-20NC-2 x 3/8 (superseded by SCREW, H101-0137991)	12	ea
10-6	H1	H101-0137991	5305-013-7991		137991	SCREW, MACHINE, fl-hd, S, cd or zn-pltd, 1/4-20NC-2 x 1 1/16 (supersedes SCREW, H101-0133757)	12	ea
11-4		G747-7328291		KHW-33544 WO-649873	7328291	HUB, front, left, w/brake DRUM, assy	1	ea

		G747-7328292	KHW-33545 WO-649874	7328292	HUB, front, right, w/brake DRUM, assy.....	1	ea
			KHW-33706 WO-801707	8673315	HUB, rear, left, w/brake DRUM, assy.....	1	ea
			KHW-33705 WO-801708		HUB, rear, right, w/brake DRUM, assy.....	1	ea
10-6		G740-7375142	KHW-33546 WO-649936	7375142	HUB, wheel, front, left and right.....	2	ea
		G747-7328376	KHW-33553 WO-649937	7328376	HUB, wheel, front, left, assy.....	1	ea
				7328294	Composed of:		
				706836	5 BOLT		
				7375142	2 CUP		
				7328375	1 HUB		
		G747-7328375	KHW-33552 WO-649938	7328375	HUB, wheel, front, right, assy.....	1	ea
					Composed of:		
				7328293	5 BOLT		
				706836	2 CUP		
				7375142	1 HUB		
		G740-7375144	KHW-38707 KHW-33707 WO-801709	7375144	HUB, wheel, rear, left and right.....	2	ea
			KHW-36749 MW-33604 WO-808783		HUB, wheel, rear, left, w/BOLTS, assy.....	1	ea
					Composed of:		
				7328294	5 BOLT		
				7375144	1 HUB		
			KHW-36748 MW-33603 WO-808784		HUB, wheel, rear, right, w/BOLTS, assy.....	1	ea
					Composed of:		
				7328293	5 BOLT		
				7375144	1 HUB		
10-4, 6		G503-7371106	SP-17016 WO-A866	7371106	NUT, hex, S, 1 $\frac{1}{8}$ -16 (front axle wheel bearing).....	4	ea
11-4		G740-7375137	WO-640885	7375137	SEAL, grease, axle shaft, assy.....	2	ea
		G758-8329732	WO-804821	8329732	SEAL, "O" ring, syn-ru, 1 $\frac{1}{2}$ ID (front hub cap) (for service only)	2	ea
10-4, 6	H13	H013-8329731	GM-18386A WO-805150	8329731	SEAL, oil, 2 $\frac{1}{8}$ x 2.879 x 1 $\frac{1}{32}$ , front hub (for service only).....	2	ea
	H13	H013-0500128	GM-10067A WO-A864	500128	SEAL, oil, type MW, 2 $\frac{1}{8}$ x 2.879 x $\frac{1}{4}$ (front axle) (for service use SEAL, H013-8329731)	2	ea
10-4, 6		G503-7696520	SP-17015 WO-A865	7696520	WASHER, lock, S, 1 $\frac{1}{32}$ (front axle wheel bearing).....	2	ea
10-4, 6		G503-7696521	SP-17017 WO-A867	7696521	WASHER, lock, S, 1 $\frac{1}{64}$ (wheel bearing nut).....	2	ea

(1) ILLUSTRATION NO.	(2) REFER- ENCE SYMBOLS	(3) ORDNANCE STOCK NO.	(4) FEDERAL STOCK NO.	(5) MFR'S PART NO.	(6) ORDNANCE PART NO.	(7) DESCRIPTION	(8) QUANTITY INCOR- PORATED IN UNIT	(9) UNIT OF ISSUE
						<b>GROUP 13—WHEELS, HUBS, AND DRUMS—Continued</b>		
						<b>1311—WHEELS, HUBS, AND DRUMS—Continued</b>		
15-3		G503-7387807		KHW-33702 WO-801762	7387807	WHEEL, S (16 x 4.50).....	5	ea
	H14	H014-5232404		KHW-24576 WO-A475	5232404	NUT, CONE, SEAT, HEX, S, cyanide, case hardened, parkerized, 1/2-20NF-2, LH thd (wheel mtg stud)	10	ea
15-3	H14	H014-5232405		KHW-24575 WO-A476	5232405	NUT, CONE, SEAT, HEX, S, cyanide, case hardened, 1/2-20NF-2, RH thds (wheel stud (10) and spare wheel to carrier stud (3))	13	ea
						<b>1313—TIRES AND TUBES</b>		
	H14	H014-0520944	052-0944		520944	CAP, TIRE VALVE, screwdriver type.....	5	ea
	H14	H014-0501229	050-1229		501229	CORE, VALVE, TIRE.....	5	ea
	H14	H014-0520394			520894	SLEEVE, tire valve mounting (for the valves of 6.00-16 tubes, when mounted with bead locks)	5	ea
				WO-800044	8676975	TIRE, CASING AND TUBE, assy.....	5	ea
					511830	Composed of: 1 TIRE		
					519282	1 TUBE		
	H14	H014-0511830			511830	TIRE, pneumatic, truck and bus, 6-ply, cross-country tread, 7.00-16 (new)	5	ea
	H14	H014-0519282			519282	TUBE, pneumatic tire, truck and bus, 7.00-16 (new).....	5	ea



RA PD 181654

Figure 14-1. Steering gear, assy (7412447)



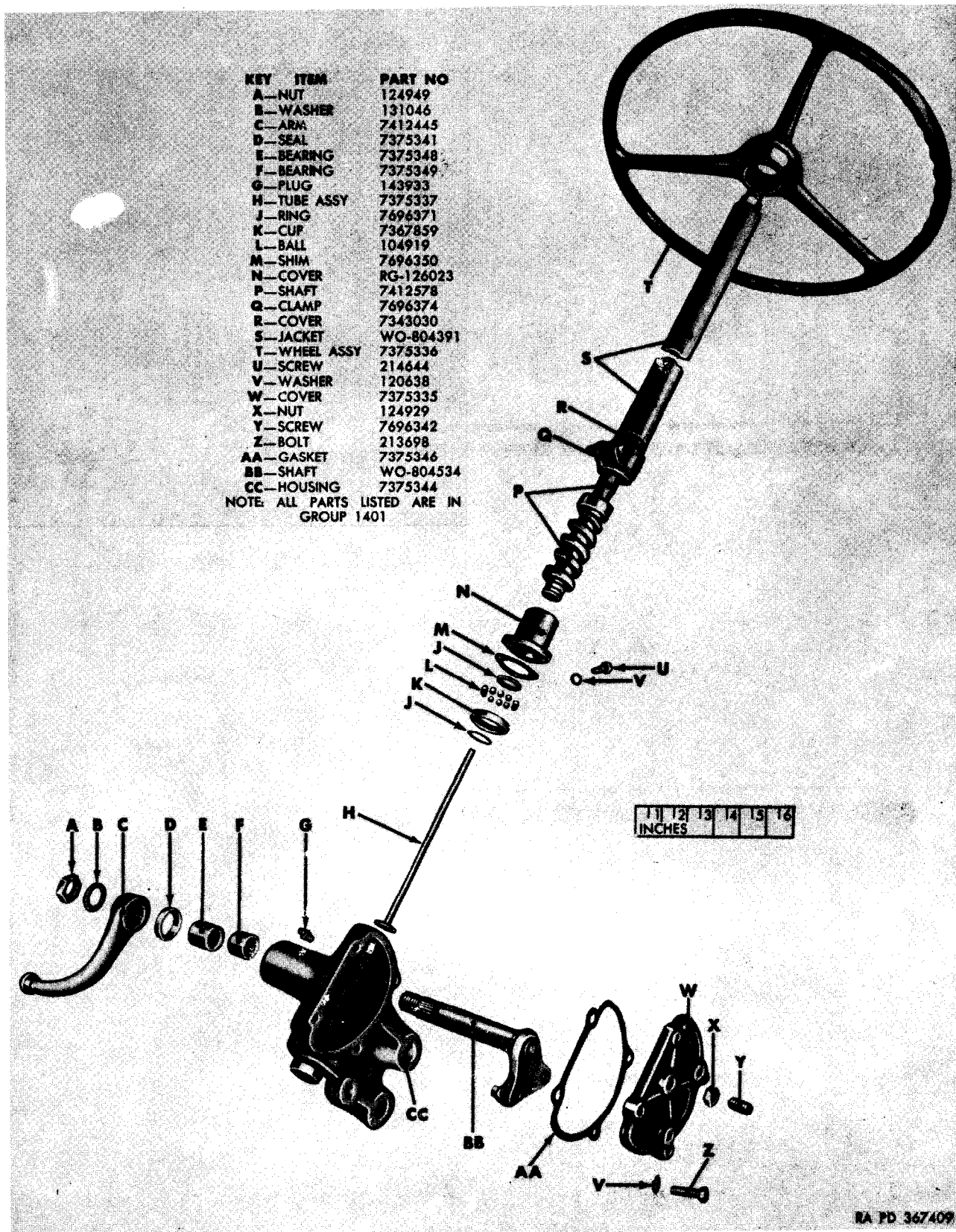
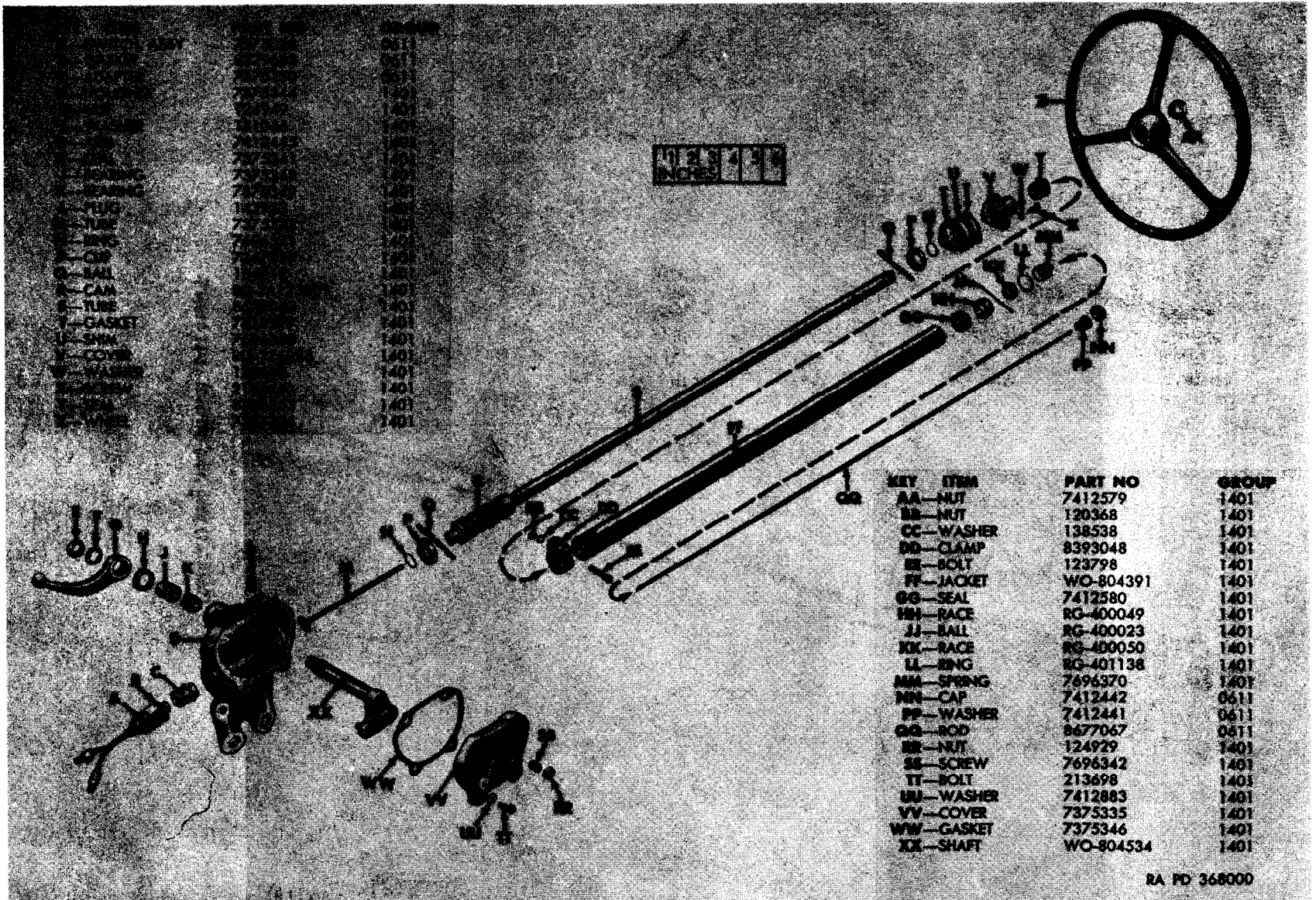


Figure 14-2. Steering gear and related parts—exploded view





RA PD 368000

Figure 14-8. Steering gear and related parts—exploded view



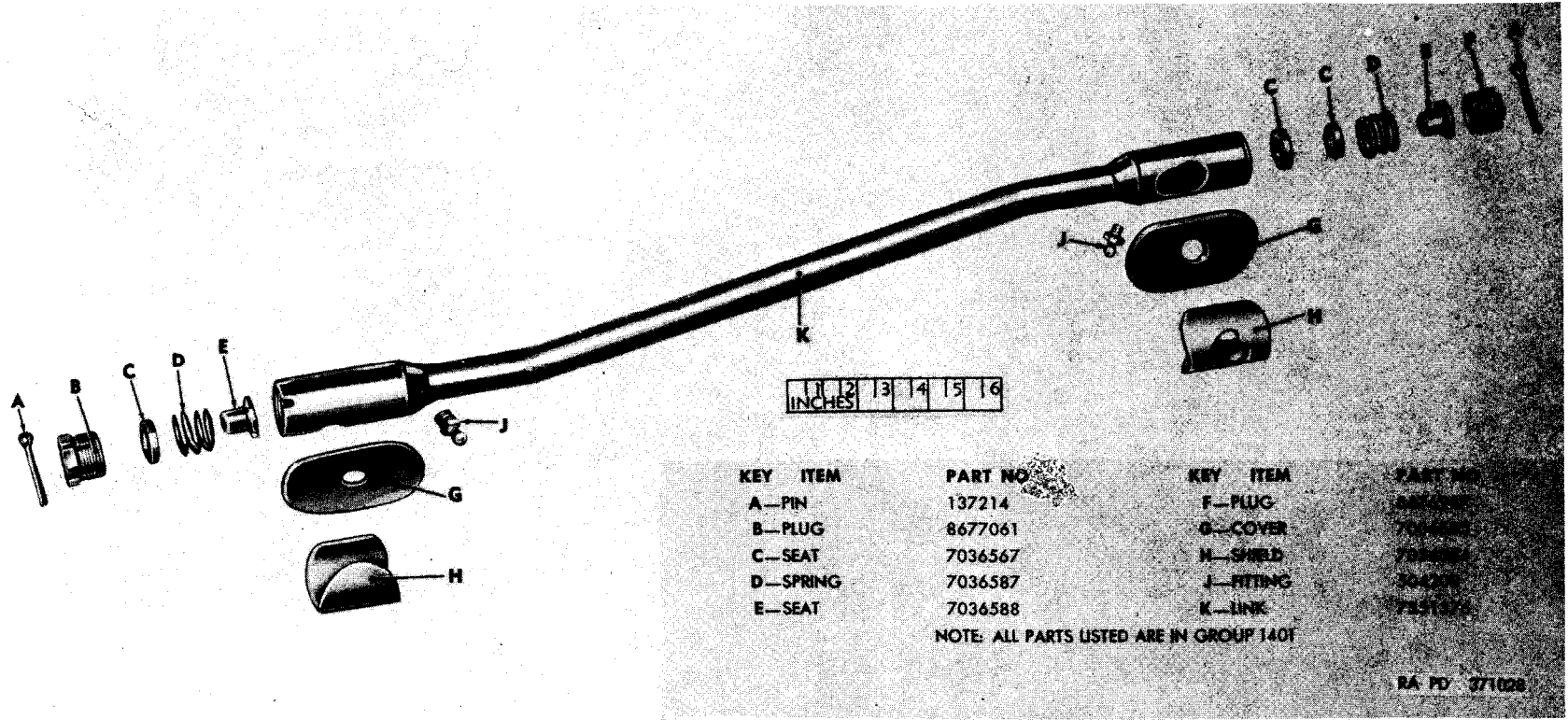
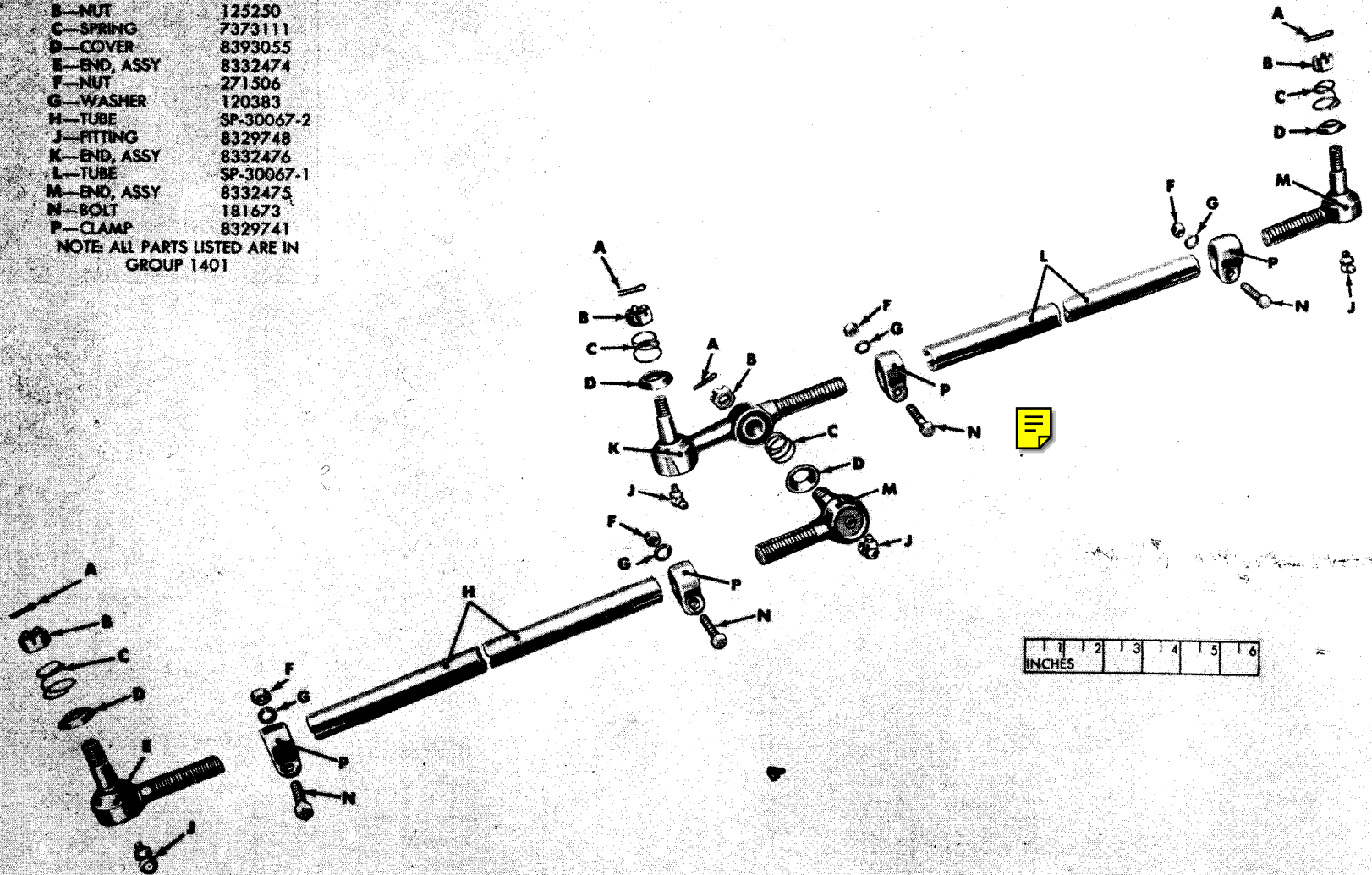


Figure 14-4. Drag link—exploded view

KEY ITEM	PART NO
A—PIN	137168
B—NUT	125250
C—SPRING	7373111
D—COVER	8393055
E—END, ASSY	8332474
F—NUT	271506
G—WASHER	120383
H—TUBE	SP-30067-2
J—FITTING	8329748
K—END, ASSY	8332476
L—TUBE	SP-30067-1
M—END, ASSY	8332475
N—BOLT	181673
P—CLAMP	8329741

NOTE: ALL PARTS LISTED ARE IN  
GROUP 1401



RA PD 367410

Figure 14-5. Steering tie rod—exploded view

(1) ILLUSTRATION NO.	(2) REFER- ENCE SYMBOLS	(3) ORDNANCE STOCK NO.	(4) FEDERAL STOCK NO.	(5) MFR'S PART NO.	(6) ORDNANCE PART NO.	(7) DESCRIPTION	(8) QUANTITY INCOR- PORATED IN UNIT	(9) UNIT OF ISSUE
<b>GROUP 14-CONTROLS</b>								
<b>1401-STEERING CONTROLS</b>								
14-2, 3		G740-7375393		WO-801674	7375393	ARM, pitman (used on vehicles through serial No. 31337)	1	ea
14-2, 3		G740-7412445		WO-804535	7412445	ARM, pitman (used on vehicles after serial No. 31337)	1	ea
14-2, 3	H2	H002-0100130			104919	BALL, alloy-S, gr 2, 5/16 in (cam thrust bearing)	22	ea
14-3				RG-400023		BALL, steering column bearing	22	ea
14-2, 3	H12	H012-7375185		WO-645662	7375185	BEARING, bushing type, 0.8750 ID, 1.1260 OD, 1.636 lg.	1	ea
14-2, 3		G740-7375349		RG-064003	7375349	BEARING, bushing type (housing, inner)	1	ea
14-2, 3		G740-7375348		WO-647099				
				RG-064004	7375348	BEARING, bushing type (housing, outer)	1	ea
				WO-647098				
				RG-063983	8677346	BEARING, jacket, assy	1	ea
				WO-801422		Composed of:		
				RG-400023		22 BALL		
				RG-400049		1 RACE		
				RG-400050		1 RACE		
				RG-401138		1 RING		
	H12	H012-0712159			712159	BEARING, needle, MIL-STD-CODE 354-01801-430 (open end, no inner race, 1.1250 shaft diam, 1.3750 OD, 0.5000 width) (bellcrank)	2	ea
				WO-647008	8677020	BELLCRANK, steering	1	ea
		G740-7375183		WO-800867	7375183	BELLCRANK, steering, assy	1	ea
	H1	H001-5423121	012-4139		124139	BOLT, MACHINE, hex-hd, S, cd or zn-pltd, 7/16-20NF-3 x 2 1/4	1	ea
	H1	H101-0218585	021-8585		218585	NUT, PLAIN, HEXAGON, reg, s-fin, S, cd or zn-pltd, 7/16-20NF-2 (superseded by NUT, 120370)	1	ea
	H1	H001-4167641	012-0370		120370	NUT, PLAIN, HEXAGON, lt, s-fin, S, cd or zn-pltd, 7/16-20NF-2 (supersedes NUT, H101-0218585)	1	ea
	H1	H001-7025771	012-0383		120383	WASHER, LOCK, med, S, cd or zn-pltd, 7/16 in	1	ea
		G503-7416462		WO-A1277	7416462	BUSHING, webbing, 5 lg, 1 1/2 wide, 1/8 thk (jacket support clamp)	1	ea
14-3				RG-TA123001		CAM, steering gear	1	ea
				WO-644833				
		G740-7375347	5340-737-5347	WO-649995	7375347	CLAMP, jacket support	1	ea
	H1	H101-0425591	042-5591		425591	BOLT, INTEGRAL LOCK WASHER, ext-teeth, hex-hd, S, cd or zn-pltd, 7/16-24NF-2 x 7/8	2	ea

	H1	H001-4167561	012-0368		120368	NUT, PLAIN, HEXAGON, lt, s-fin, S, cd or zn-pltd, $\frac{5}{16}$ -24NF-2	2	ea
14-2		G503-7696374		WO-A635	7696374	CLAMP, mounting, steering jacket to housing, w/BOLT, NUT and WASHER, assy	1	ea
14-3				RG-475104 WO-A636	8393048	CLAMP, steering column	1	ea
14-3	H1	H101-0123798	012-3798		123798	BOLT, MACHINE, hex-hd, S, cd or zn-pltd, $\frac{5}{16}$ -24NF-3 x $1\frac{3}{4}$	1	ea
14-3	H1	H001-4167561	012-0368		120368	NUT, PLAIN, HEXAGON, lt, s-fin, S, cd or zn-pltd, $\frac{5}{16}$ -24NF-2	1	ea
14-3	H1	H001-7021771	5310-013-8538		138538	WASHER, LOCK, int-teeth, S, cd or zn-pltd, $\frac{5}{16}$ in	1	ea
14-5		G758-8329741		SP-30068 WO-806746	8329741	CLAMP, steering knuckle tie rod (used w/AXLES, SP-2166-1 and SP-2166-2 for service)	4	ea
14-5	H1	H001-5457081	018-1673		181673	BOLT, MACHINE, hex-hd, S, 85,000 psi yield strength, cd or zn-pltd, $\frac{7}{16}$ -20NF-2 x $1\frac{7}{8}$	4	ea
	H1	H001-4171641	012-1949		121949	NUT, PLAIN, HEXAGON, lt, s-fin, S, cd or zn-pltd, $\frac{7}{16}$ -20NF-3 (superseded by NUT, 271506)	4	ea
14-5	H1				271506	NUT, PLAIN, HEXAGON, s-fin, S, cd or zn-pltd, $\frac{7}{16}$ -20NF-2 (supersedes NUT, 121949)	4	ea
14-5	H1	H001-7025771	5310-012-0383		120383	WASHER, LOCK, med, S, cd or zn-pltd, $\frac{7}{16}$ in	4	ea
		G740-7375333	2530-737-5333	SP-14145 WO-A837	7375333	CLAMP, steering knuckle tie rod (used w/AXLES, SP-2131-2 and 8673352)	4	ea
	H1	H001-4167561	012-0368		120368	NUT, PLAIN, HEXAGON, lt, s-fin, S, cd or zn-pltd, $\frac{5}{16}$ -24NF-2	4	ea
		G503-7696485	5310-769-6485	SP-5-73-223 WO-A875	7696485	NUT, SLOTTED, HEXAGON, sp, S, $\frac{5}{16}$ -24NF-2 x $1\frac{7}{16}$	4	ea
14-3	H1	H001-7018711	5310-012-0638		120638	WASHER, LOCK, hv, S, cd or zn-pltd, $\frac{5}{16}$ in, style No. 9, 0.601 OD	4	ea
14-4		G503-7036585		WO-A622	7036585	COVER, dust, drag link	2	ea
14-5		G503-8393055		SP-16067 WO-A844	8393055	COVER, grease retaining, tie rod end	4	ea
14-2, 3		G740-7375335		RG-TA125000 WO-644531	7375335	COVER, housing, side	1	ea
				RG-502T16 WO-644546	8673961	COVER, housing, side, assy	1	ea
					7375335	Composed of:		
					124929	1 COVER		
					7696342	1 NUT		
					213698	1 SCREW		
14-2, 3	H1	H001-1013021	021-3698	RG-020041 WO-639120	213698	BOLT, MACHINE, hex-hd, S, $\frac{5}{16}$ -18NC-2 x $1\frac{1}{2}$	4	ea
14-3	H1	H101-7412883			7412883	WASHER, FLAT, cop, $\frac{21}{64}$ ID, $\frac{9}{16}$ OD, $\frac{3}{64}$ thk	4	ea
14-2, 3	H1	H001-7018711	5310-012-0638		120638	WASHER, LOCK, hv, S, cd or zn-pltd, $\frac{5}{16}$ in, style No. 9, 0.601 OD	4	ea

(1)	(2)	(3)	(4)	(5)	(6)	(7)	(8)	(9)
ILLUSTRATION NO.	REFERENCE SYMBOLS	ORDNANCE STOCK NO.	FEDERAL STOCK NO.	MFR'S PART NO.	ORDNANCE PART NO.	DESCRIPTION	QUANTITY INCORPORATED IN UNIT	UNIT OF ISSUE
<b>GROUP 14-CONTROLS-Continued</b>								
<b>1401-STEERING CONTROLS-Continued</b>								
14-2, 3	H1	G740-7412446 H101-0214644		RG-500824 WO-804385 RG-020122 WO-639107	7412446 214644	COVER, housing, upper, w/SEAL, assy (used on vehicles after serial No. 31337) SCREW, shoulder, hex-hd, S, $\frac{5}{16}$ -18NC-2 x $\frac{3}{4}$	1 3	ea ea
14-2, 3	H1	H001-7018711	012-0638		120638	WASHER, LOCK, hv, S, cd or zn-pltd, $\frac{3}{16}$ in, style No. 9, 0.601 OD	3	ea
14-2, 3		G503-7696367		RG-T126000 WO-A1760	7696367	COVER, housing, upper (used on vehicles through serial No. 31337)	1	ea
14-2				RG-126023 WO-804386		COVER, housing, upper (used on vehicles after serial No. 31337)	1	ea
14-2		G503-7343030		WO-390510	7343030	COVER, jacket oil hole (used on vehicles through serial No. 31337)	1	ea
14-2, 3		G503-7367859		RG-400025 WO-639102	7367859	CUP, ball, cam shaft thrust bearing	2	ea
		G503-7350298	2530-735-0298	SP-17047X WO-A847 WO-809187	7350298	END, tie rod, LH thd, assy (used w/AXLES, SP-2131-2 and 8673352) (for service use END, WO-809187)	1	ea
		G740-7375334	2530-737-5334	SP-17476 WO-640178 WO-809186	7375334	END, tie rod, LH thd, assy (used w/AXLES, SP-2131-2 and 8673352) (for service use END, WO-809186)	1	ea
		G758-8329742		SP-20071X WO-806749	8329742	END, tie rod, LH thd, assy (used w/AXLES, SP-2166-1 and SP-2166-2) (for service use END, 8332474)	1	ea
14-5		G758-8332474		WO-809190	8332474	END, tie rod, LH thd, assy (used w/AXLES, SP-2166-1 and SP-2166-2 for service)	1	ea
		G758-8329744		SP-20072X WO-806752	8329744	END, tie rod, center, LH thd, assy (used w/AXLES, SP-2166-1 and SP-2166-2) (for service use END, G758-8332476)	1	ea
14-5		G758-8332476		WO-809189	8332476	END, tie rod, center, LH thd, assy (used w/AXLES, SP-2166-1 and SP-2166-2 for service)	1	ea
		G503-7350354		SP-17046X WO-A838 WO-809188	7350354	END, tie rod, RH thd, assy (used w/AXLES, SP-2131-2 and 8673352) (for service use END, WO-809188)	2	ea
						END, tie rod, RH thd, assy (used w/AXLES, SP-2131-2 and 8673352 for service)	2	ea

		G758-8329743		SP-20070X WO-806750	8329743	END, tie rod, RH thread, assy (used w/AXLES, SP-2166-1 and SP-2166-2) (for service use END, G758-8332475)	2	ea
14-5		G758-8332475		WO-809191	8332475	END, tie rod, RH thd, assy (used w/AXLES, SP-2166-1 and SP-2166-2 for service)	2	ea
14-5	H1	H001-4217681	012-5250		125250	NUT, SLOTTED, HEXAGON, lt, s-fin, S, cd or zn-pltd, $\frac{1}{2}$ -20NF-2	4	ea
14-5	H1	H101-0137168	013-7168		137168	PIN, COTTER, split, S, pltd, $\frac{3}{32}$ x $\frac{7}{8}$	4	ea
	H16	H016-1720034	172-0034		45-F-420	FITTING, LUBRICATION, hyd, angle 90 deg, $\frac{1}{8}$ -27NPT male, lgh overall $2\frac{7}{32}$ in (drag link) (used on vehicles through serial No. 53225)	1	ea
	H16	H016-0504207	050-4207		504207	FITTING, LUBRICATION, hyd, 90 deg, $\frac{1}{4}$ -28NF, male, style No. 4, S, cd or zn-pltd (tie rod) (used on vehicles through serial No. 53225)	4	ea
14-5		G758-8329748		WO-806430	8329748	FITTING, lubricating, hyd, 90 deg (tie rod) (used on vehicles after serial No. 53225)	4	ea
	H16	H016-8329669		WO-806432	8329669	FITTING, lubrication, 0.125 PTF, pipe thd, 90 deg (used on vehicles after serial No. 53225)	1	ea
14-4	H16	H016-0504208	050-4208		504208	FITTING, LUBRICATION, hyd, stght, male, lgh overall $\frac{1}{16}$ in (bellcrank (1); drag link (1))	2	ea
14-2, 3		G740-7375346		RG-TA129000 WO-644537	7375346	GASKET, housing, side cover.....	1	ea
		G740-7412577		RG-033092 WO-804399	7412577	GASKET, housing, upper cover (used on vehicles after serial No. 31337)	1	ea
		G740-7375345		RG-TA13077 WO-801691	7375345	GEAR, steering, assy (15.4; 13.5; 15.4 ratio) (used on vehicles through serial No. 31337)	1	ea
14-1		G740-7412447		RG-TA13084 WO-804384	7412447	GEAR, steering, assy (15.4; 13.5; 15.4 ratio) (used on vehicles after serial No. 31337)	1	ea
	H1	H101-0124155	012-4155		124155	BOLT, MACHINE, hex-hd, S, cd or zn-pltd, $\frac{7}{16}$ -20NF-3 x 3	3	ea
	H1	H001-4167641	012-0370		120370	NUT, PLAIN, HEXAGON, lt, s-fin, S, cd or zn-pltd, $\frac{7}{16}$ -20NF-2	3	ea
	H1	H001-7124761	017-8571		178571	WASHER, LOCK, int-ext-teeth, S, cd or zn-pltd, $\frac{7}{16}$ x 1.070 (1.045 to 1.070 OD)	6	ea
14-2, 3		G740-7375344		WO-801711	7375344	HOUSING, steering gear.....	1	ea
		G740-7348820		WO-801720	7348820	HOUSING, steering gear, assy.....	1	ea
		G740-7375323		RG-036006 WO-639113 WO-801078	7375323	INSERT, thrust, steering gear arm shaft.....	1	ea
14-2, 3				WO-804391		JACKET, steering (used on vehicles through serial No. 31337)	1	ea
						JACKET, steering (used on vehicles after serial No. 31337)	1	ea

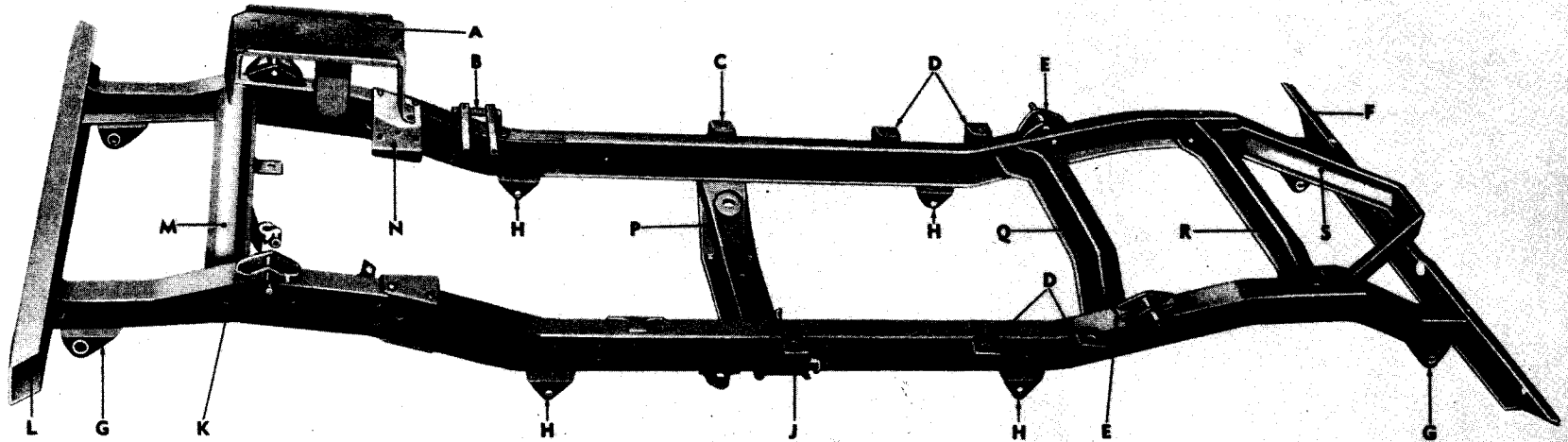


(1) ILLUSTRATION NO.	(2) REFERENCE SYMBOLS	(3) ORDNANCE STOCK NO.	(4) FEDERAL STOCK NO.	(5) MFR'S PART NO.	(6) ORDNANCE PART NO.	(7) DESCRIPTION	(8) QUANTITY INCORPORATED IN UNIT	(9) UNIT OF ISSUE
<b>GROUP 14—CONTROLS—Continued</b>								
<b>1401—STEERING CONTROLS—Continued</b>								
		G740-7375343	2530-737-5343	WO-800784	7375343	JACKET, steering, assy.....	1	ea
					8677346	Composed of: 1 BEARING 1 JACKET (used on vehicles through serial No. 31337)		
		G740-7412576		WO-804390	7412576	JACKET, steering, assy.....	1	ea
					8677346	Composed of: 1 BEARING 1 JACKET		
				WO-804391	7412580	1 SEAL (used on vehicles after serial No. 31337)		
		G740-7375322	2530-737-5322	WO-801714	7375322	LEVERSHAFT, steering gear, assy (used on vehicles through serial No. 31337)	1	ea
		G740-7416527	2530-741-6527	WO-804533	7416527	LEVERSHAFT, steering gear, assy (used on vehicles after serial No. 31337)	1	ea
14-2, 3	H1	H001-4185801	012-4949		124949	NUT, PLAIN, HEXAGON, lt, s-fin, S, cd or zn-pltd, 3/4-16NF-2	1	ea
14-2, 3	H1	H101-0131046	5310-013-1046		131046	WASHER, LOCK, med, S, cd or zn-pltd, style No. 9, 1.279 OD, 3/4 in	1	ea
14-4		G740-7351376		WO-646620	7351376	LINK, drag.....	1	ea
		G740-7375182		WO-801264	7375182	LINK, drag, assy.....	1	ea
				WO-800868	8677333	LINK, drag, w/FITTINGS, assy.....	1	ea
					504208	Composed of: 1 FITTING		
					8329669	1 FITTING		
					7375182	1 LINK		
14-4				CA-S-11373	8677061	PLUG, adjusting, drag link ball seat, large.....	1	ea
				WO-801565				
	H1	H001-0811055	010-3388		103388	PIN, COTTER, split, S, 1/8 x 3 3/4 (superseded by PIN, H101-0137214)	1	ea
14-4	H1	H101-0137214	013-7214		137214	PIN, COTTER, split, S, cd or zn-pltd, 1/8 x 1 3/4 (supersedes PIN, 103388)	1	ea
14-4				CA-S-11372	8676987	PLUG, adjusting, drag link ball seat, small.....	1	ea
				WO-801265				

	H1	H001-0811055	010-3388		103388	PIN, COTTER, split, S, $\frac{1}{8}$ x $1\frac{3}{4}$ (superseded by PIN, H101-0137214)	1	ea
14-4	H1	H101-0137214	013-7214		137214	PIN, COTTER, split, S, cd or zn-pltd, $\frac{1}{8}$ x $1\frac{3}{4}$ (supersedes PIN, 103388)	1	ea
14-2, 3	H6	H006-0283569	014-3933		143933	PLUG, PIPE, sq-hd, CI, cd or zn-pltd, $\frac{1}{4}$ in (steering gear housing)	1	ea
14-3				RG-400050		RACE, steering column bearing inner	1	ea
14-3				RG-400049		RACE, steering column bearing outer	1	ea
14-2, 3		G503-7696371		RG-401100 WO-639103	7696371	RING, retaining, shaft cam thrust bearing	2	ea
14-3				RG-401138		RING, steering column bearing	1	ea
		G740-7375332		SP-17540-X WO-642056	7375332	ROD, tie, steering, left, assy (used w/AXLES SP-2131-2 and 8673352)	1	ea
		G758-8329746		SP-20069X WO-806372	8329746	ROD, tie, steering, left, assy (used w/AXLES SP-2166-1 and SP-2166-2 for service)	1	ea
		G740-7375331		SP-17539X WO-642057	7375331	ROD, tie, steering, right, assy (used w/AXLES SP-2131-2 and 8673352)	1	ea
		G758-8329747		SP-20068X WO-806371	8329747	ROD, tie, steering, right, assy (used w/AXLES, SP-2166-1 and SP-2166-2 for service)	1	ea
14-2, 3		G503-7696342		RG-021116 WO-639118	7696342	SCREW, set, hdls, half-dog-pt, S, $\frac{1}{16}$ -20NF-2 x $\frac{1}{8}$ (Pitman shaft adjusting) (in housing)	1	ea
14-2, 3	H1	H001-4185641	012-4929		124929	NUT, PLAIN, HEXAGON, lt, s-fin, S, cd or zn-pltd, $\frac{1}{16}$ -20NF-2	1	ea
		G740-7375181		GPC-14982 WO-645663	7375181	SEAL, bellcrank	2	ea
14-2, 3		G740-7375341		RG-032144 WO-801816	7375341	SEAL, oil, steering gear arm shaft ( $\frac{15}{16}$ diam shaft)	1	ea
		G740-7375180		WO-801566	7375180	SEAL, ru, $1\frac{1}{32}$ ID, $1\frac{5}{8}$ OD, $\frac{5}{16}$ thk (steering bellcrank bracket)	1	ea
		G740-7375155		WO-801279	7375155	SEAL, ru, $1\frac{1}{2}$ ID, 4 OD, $\frac{1}{16}$ thk, four holes for $\frac{1}{16}$ diam bolt (steering column to floor)	1	ea
14-3		G758-8332553		RG-032161 WO-804387	8332553	SEAL, ru, 1.185 ID, 1.5000 OD, 0.250 thk (upper housing cover) (used on vehicles after serial No. 31337)	1	ea
14-3		G740-7412580		RG-032171 WO-804392	7412580	SEAL, steering jacket (used on vehicles after serial No. 31337)	1	ea
14-4		G503-7036567		CA-S7733 WO-630755	7036567	SEAT, ball, drag link	3	ea
06-18				RG-028166 WO-801423	8677035	SEAT, jacket upper bearing spring	1	ea
14-4		G503-7036588		CA-S5144 WO-630753 RG-TA124000 -4-3-4 WO-801715	7036588 8677043	SEAT, steering drag link ball seat spring SHAFT, arm, w/LEVER (used on vehicles through serial No. 31337)	2 1	ea ea

(1) ILLUSTRATION NO.	(2) REFER- ENCE SYMBOLS	(3) ORDNANCE STOCK NO.	(4) FEDERAL STOCK NO.	(5) MFR'S PART NO.	(6) ORDNANCE PART NO.	(7) DESCRIPTION	(8) QUANTITY INCOR- PORATED IN UNIT	(9) UNIT OF ISSUE
<b>GROUP 14—CONTROLS—Continued</b>								
<b>1401—STEERING CONTROLS—Continued</b>								
14-2, 3				WO-804534		SHAFT, arm, w/LEVER (used on vehicles after serial No. 31337)	1	ea
		G740-7375179		WO-649219	7375179	SHAFT, bellcrank	1	ea
		G740-7375178		WO-649240	7375178	NUT, locking, bellcrank pivot shaft	1	ea
	H1	H001-7043861	013-1016		131016	WASHER, FLAT, lt, S, cd or zn-pltd, $2\frac{1}{32}$ ID, $1\frac{1}{16}$ OD, 0.095 thk	1	ea
	H1	H101-0131018	013-1018		131018	WASHER, FLAT, S, cd or zn-pltd, $1\frac{5}{16}$ ID, $1\frac{3}{4}$ OD, 0.134 thk	1	ea
14-2		G740-7412578	2530-741-2578	WO-804388	7412578	SHAFT, w/integral CAM and NUT, assy	1	ea
				RG-RA123001		Composed of:		
					7412579	1 CAM		
				RG-089041-36 $\frac{1}{2}$		1 NUT		
						1 TUBE		
						(used on vehicles after serial No. 31337)		
		G740-7375340	2530-737-5340	WO-801712	7375340	SHAFT, w/integral CAM and NUT, assy	1	ea
				RG-TA123001		Composed of:		
					7371096	1 CAM		
				RG-089041-36 $\frac{1}{2}$		1 NUT		
						1 TUBE		
						(used on vehicles through serial No. 31337)		
14-4		G503-7036584		CA-S8819 WO-A623	7036584	SHIELD, dust, drag link dust cover	2	ea
14-2, 3		G503-7696350		RG-033046 WO-639108	7696350	SHIM, housing upper cover, S, 0.002 thk	†	ea
		G503-7696351		RG-033047 WO-639109	7696351	0.003 thk	†	ea
		G503-7696352		WO-639110	7696352	0.010 thk	†	ea
		G503-7371030		WO-638918	7371030	SHIM, washer type, S, $1\frac{5}{32}$ ID, $1\frac{1}{4}$ OD, 0.0097 thk (housing mounting)	†	ea
14-4		G740-7375339		WO-647089	7375339	SPACER, steering to frame bolt	1	ea
		G503-7036587		CA-S5145 WO-630754	7036587	SPRING, drag link ball seat	2	ea

14-5	G503-7373111	SP-17347 WO-A6305	7373111	SPRING, front axle tie rod	4	ea
06-18; 14-3	G503-7696370	WO-639191	7696370	SPRING, jacket upper bearing	1	ea
14-2, 3	G740-7375177	WO-801666	7375177	SPRING, tension seal (steering bellcrank)	1	ea
	G740-7375337	WO-801186	7375337	TUBE, oil seal, steering gear, assy (horn adapter) (flared end)	1	ea
	G740-7375342	WO-801716	7375342	TUBE, oil seal, w/ADAPTER, assy	1	ea
14-5		SP-17541-2 WO-642058	7375150	Composed of:		
		SP-30067-1 TP-14RT224 WO-806369	7375337	1 ADAPTER		
		TP-14RT225 SP-30067-2 WO-806370		1 TUBE		
14-5		SP-17541-1 WO-642059		TUBE, steering rod, left (17 $\frac{1}{4}$ in lg) (use w/AXLES, SP 2131-2 and 8673352)	1	ea
14-5		RG-089041-36 $\frac{1}{2}$ WO-801713		TUBE, steering rod, right (used w/AXLES, SP-2166-1 and SP-2166-2 for service)	1	ea
14-3		WO-800737	8677042	TUBE, steering rod, left (17.19 in lg) (use w/AXLES, SP-2166-1 and SP-2166-2 for service)	1	ea
14-2, 3; 18-3	G740-7375336	WO-800737	7375336	TUBE, steering rod, right (18 $\frac{7}{8}$ in lg) (use w/AXLES, SP-2131-2 and 8673352)	1	ea
14-3; 06-18	G740-7412579	RG-026097 WO-801425	7412579	TUBE, steering wheel	1	ea
	G503-7371096	RG-026988 WO-A633	7371096	WHEEL, steering, assy	1	ea
				NUT, hex, $\frac{13}{16}$ -20NEF-2 (used on vehicles after serial No. 31337)	1	ea
				NUT, special, hex, $\frac{13}{16}$ -20NEF-2 (used on vehicles through serial No. 31337)	1	ea



KEY ITEM	PART NO	GROUP
A—SUPPORT	7347736	1501
B—SUPPORT	7375364	1501
C—OUTRIGGER	8677289	1501
D—BRACKET	7697870	1501
E—BRACKET	7372506	1501
F—CROSS MEMBER	WO-800605	1501

KEY ITEM	PART NO	GROUP
G—BRACKET	7371056	1501
H—BRACKET	7697573	1501
J—OUTRIGGER	8677291	1501
K—BRACKET	7372505	1501
L—BAR	8331831	2101
M—CROSS MEMBER, ASSY	WO-907749	1501

KEY ITEM	PART NO	GROUP
N—BRACKET	7372547	1501
P—CROSS MEMBER	7372507	1501
Q—CROSS MEMBER	8673467	1501
R—CROSS MEMBER	8673477	1501
S—REINFORCEMENT	8673500	1501

RA PD 367395

Figure 15-1. Frame assy (8678441)

KEY	ITEM	PART NO
A	LATCH	7524313
B	SPRING	7044253
C	LOCK	7524314
D	RING	583035
E	BOLT	124169
F	WASHER	120384
G	NUT	120371
H	PINTLE	7073213
J	PIN	7524315
K	FITTING	504203
L	PIN	7524316

ITEMS E, F, AND G ARE NOT PART OF ASSY 7073209.  
ALL PARTS LISTED ARE IN GROUP 1503.

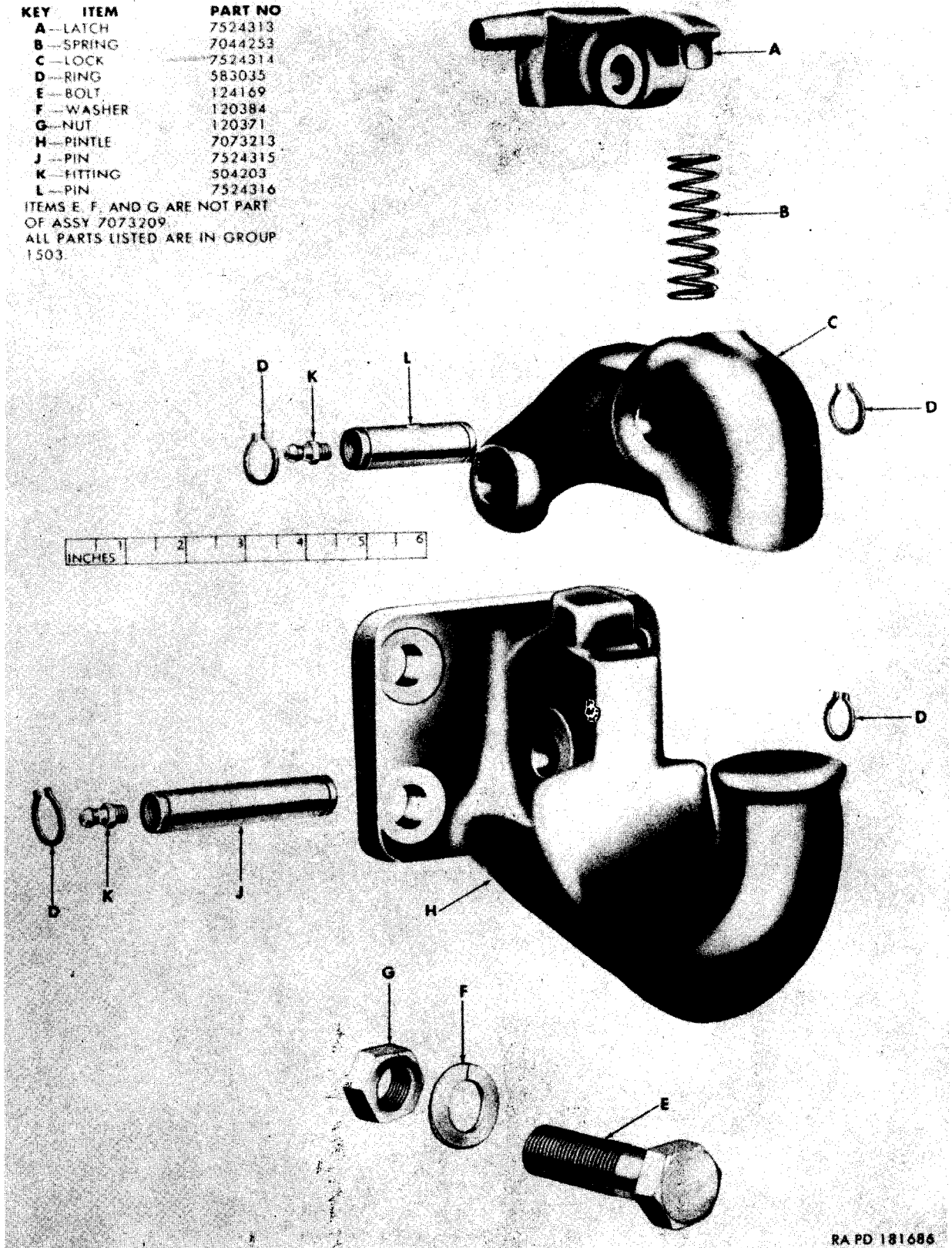


Figure 15-2. Pinle hook, assy (7073209)—exploded view

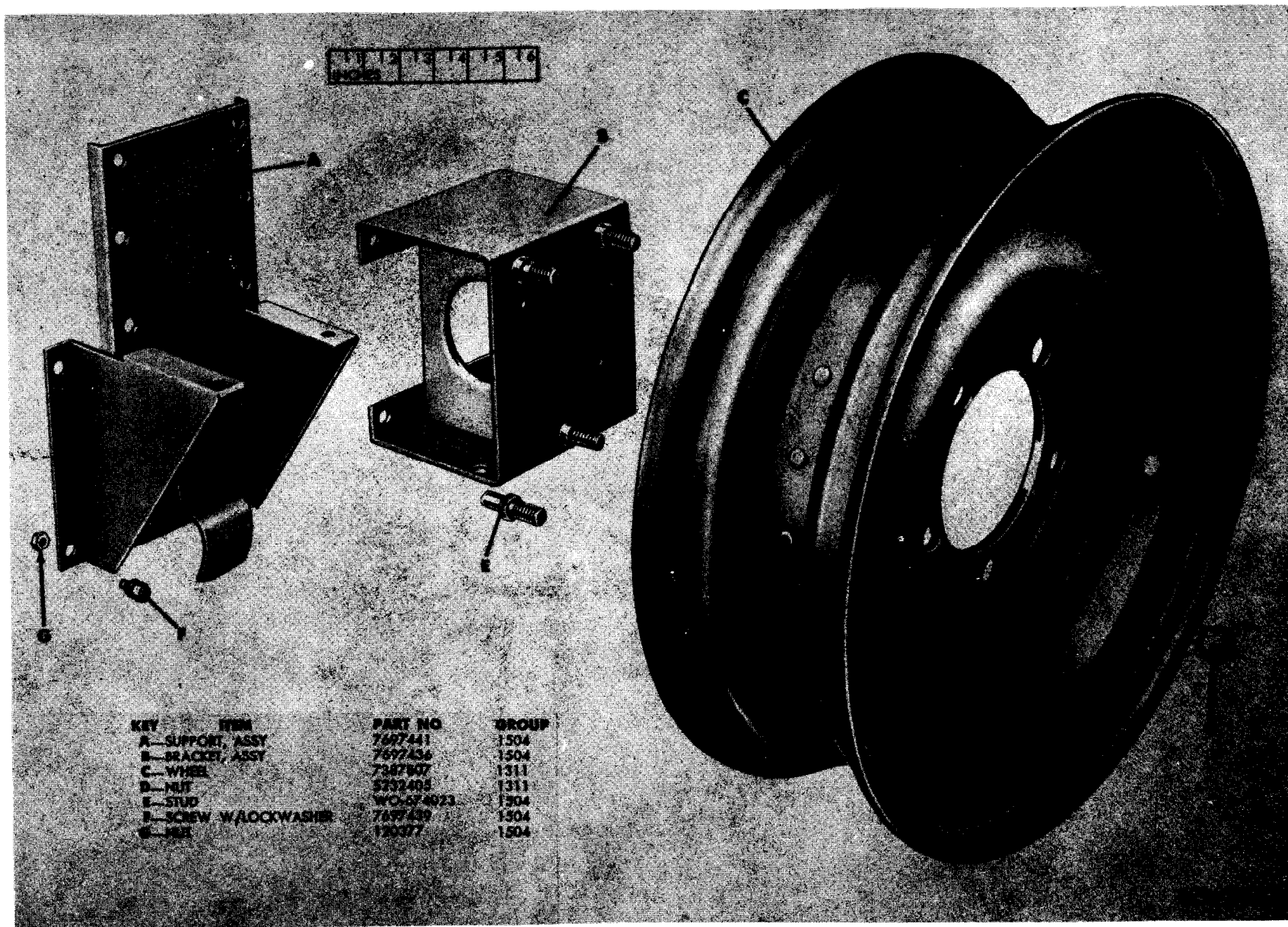


Figure 15-3. Spare wheel carrier—exploded view

(1) ILLUSTRATION NO.	(2) REFER- ENCE SYMBOLS	(3) ORDNANCE STOCK NO.	(4) FEDERAL STOCK NO.	(5) MFR'S PART NO.	(6) ORDNANCE PART NO.	(7) DESCRIPTION	(8) QUANTITY INCOR- PORATED IN UNIT	(9) UNIT OF ISSUE
<b>GROUP 15—FRAME AND BRACKETS</b>								
<b>1501—FRAME ASSEMBLY AND BRACKETS</b>								
15-1; 16-2		G740-7697574		WO-A546	7697574	BEARING, bushing type (front spring front bracket and rear spring rear bracket)	4	ea
		G503-7697870	2510-769-7870	WO-645072	7697870	BRACKET, body, left, right, No. 2 and 3	4	ea
				WO-646933	8673966	BRACKET, body support, rear	2	ea
				WO-649856	8673970	BRACKET, brake, front hose	3	ea
				MSP-344-40 WO-A185	8393046	BRACKET, brake pedal retracting spring	1	ea
15-1	H1	H001-0924218	010-4097		104097	RIVET, SOLID, b-hd, S, $\frac{5}{16}$ x $\frac{3}{4}$	1	ea
		G740-7372547		WO-647025	7372547	BRACKET, engine support, front, right, w/REIN- FORCEMENT, assy Composed of: 1 BRACKET 1 REINFORCEMENT 1 RIVET	1	ea
				WO-647028				
				WO-647026				
				NPN				
		G740-7372546		WO-647919	7372546	BRACKET, engine support, left	1	ea
		G758-8328446		WO-800048	8328446	BRACKET, hold down (front and rear)	4	ea
	H1	H001-5422921	012-3567		123567	BOLT, MACHINE, cap, hex-hd, S, cd or zn-pltd, $\frac{1}{16}$ - 20NF-3 x 1	8	ea
	H1	H101-0218585			218585	NUT, PLAIN, HEXAGON, reg, s-fin, S, cd or zn-pltd, $\frac{1}{16}$ -20NF-2 (superseded by NUT, 120370)	4	ea
	H1	H001-4167641	012-0370		120370	NUT, PLAIN, HEXAGON, lt, s-fin, S, cd or zn-pltd, $\frac{1}{16}$ -20NF-2 (supersedes NUT, H101-0218585)	4	ea
	H1	H001-7025771	012-0383		120383	WASHER, LOCK, med, S, cd or zn-pltd, $\frac{1}{16}$ in.	8	ea
				WO-801285	8677338	BRACKET, radiator support, left	1	ea
				WO-801286	8677339	BRACKET, radiator support, right	1	ea
15-1; 16-1		G740-7372505		WO-800824	7372505	BRACKET, shock absorber, front, w/SHAFT (welded)	2	ea
15-1; 16-2		G740-7372506		WO-800825	7372506	BRACKET, shock absorber, rear, w/SHAFT (welded)	2	ea
15-1; 16-1, 2		G740-7697573		MSP-344-266 WO-646193	7697573	BRACKET, spring pivot, front spring rear and rear spring front	4	ea
15-1; 16-1, 2		G503-7371056	2510-737-1056	SMA-FLA2941 MSP-344-47 WO-A544	7371056	BRACKET, spring shackle, front spring front and rear spring rear Composed of: 1 BEARING 1 BRACKET	4	ea
				WO-A545	7697574			



1501

(1) ILLUSTRATION NO.	(2) REFER- ENCE SYMBOLS	(3) ORDNANCE STOCK NO.	(4) FEDERAL STOCK NO.	(5) MFR'S PART NO.	(6) ORDNANCE PART NO.	(7) DESCRIPTION	(8) QUANTITY INCOR- PORATED IN UNIT	(9) UNIT OF ISSUE
<b>GROUP 15—FRAME AND BRACKETS—Continued</b>								
<b>1501—FRAME ASSEMBLY AND BRACKETS</b>								
<b>—Continued</b>								
15-1		G740-7372507		WO-801567	8677036	BRACKET, steering bellcrank.....	1	ea
				WO-649705	7372507	CROSSMEMBER, engine rear support.....	1	ea
	H1	H001-5421241	012-0758		120758	BOLT, MACHINE, hex-hd, S, cd or zn-pltd, $\frac{3}{8}$ - 24NF-3 x $\frac{1}{8}$	4	ea
	H1	H001-4167601	012-0369		120369	NUT, PLAIN, HEXAGON, lt, s-fin, S, cd or zn-pltd, $\frac{3}{8}$ -24NF-2	4	ea
15-1				WO-A1150	8673467	CROSSMEMBER, frame, center.....	1	ea
15-1				WO-907749		CROSSMEMBER, frame, front, assy.....	1	ea
					8677338	Composed of:		
					8677339	1 BRACKET		
					8677036	1 BRACKET		
					8677021	1 TUBE		
15-1				WO-646962	8673477	CROSSMEMBER, frame, intermediate rear.....	1	ea
15-1				WO-800605		CROSSMEMBER, frame, rear.....	1	ea
15-1				WO-649997	8673441	FRAME, assy.....	1	ea
				MSP-200-145	8677040	NUT, clinch, $\frac{1}{2}$ -20NF-2 (frame side member reinforce- ment, front, LH (2); RH (2); lifting hooks (4))	8	ea
				WO-801661				
				MSP-F2011	8677283	NUT, clinch, $\frac{1}{16}$ -20NF-2 (hold down bracket).....	4	ea
	H1	H101-0585811			585811	NUT, welding, S, $\frac{3}{8}$ -24NF-2 (body outrigger (2); fender support bracket (4); and frame side member reinforce- ment, left (2))	8	ea
	H1	H101-0585807		WO-A668	585807	NUT, welding, $\frac{1}{4}$ -28NF-2 (generator regulator mtg support)	4	ea
	H1	H101-0585809			585809	NUT, welding, S, $\frac{5}{16}$ -24NF-2 (radiator guard hinge bracket (4); axle bumper, front (4))	8	ea
15-1				WO-645702	8677291	OUTRIGGER, body, left, No. 1.....	1	ea
15-1				WO-645071	8677289	OUTRIGGER, body, right, No. 1.....	2	ea
				WO-800815	8677330	PLATE, reinforcement, rear.....	1	ea
				WO-800781		PLATE, skid, under frame.....	1	ea
	H1	H101-0126390	012-6390		126390	BOLT, SQUARE NECK, S, cd or zn-pltd, $\frac{3}{8}$ -16NC-2 x $\frac{1}{8}$	4	ea
	H1	H001-4167581	012-0377		120377	NUT, PLAIN, HEXAGON, lt, s-fin, S, cd or zn-pltd, $\frac{3}{8}$ -16NC-2	4	ea

274

15-1

15-1

15-1

275

15-2

1503

II1	II001-7043741	5310-012-0394		120394	WASHER, FLAT, lt series, S, $\frac{3}{8}$ in, cd or zn-pltd, $\frac{13}{32}$ ID, $\frac{13}{16}$ OD, 0.065 thk	4	ea
H1	H001-7025741	5310-012-0382		120382	WASHER, LOCK, med, S, (reg), cd or zn-pltd, $\frac{3}{8}$ in	4	ea
			WO-801695	8673507	REINFORCEMENT, frame, crossmember, rear	1	ea
			WO-800814	8673500	REINFORCEMENT, frame, rear	1	ea
			WO-801387	8673321	REINFORCEMENT, side member, left (superseded by REINFORCEMENT, WO-647019)	1	ea
			WO-647019		REINFORCEMENT, side member, left (superscdes REINFORCEMENT, 8673321)	1	ea
			WO-801388	8673320	REINFORCEMENT, side member, right, assy (welded)	1	ea
			WO-647415	8673968	SPACER, bolt, snow plow	2	ea
	G740-7347736		WO-649998	7347736	SUPPORT, battery, w/BRACE	1	ea
	G740-7375364		WO-800845	7375364	SUPPORT, mounting (generator regulator)	1	ea
			WO-647030	8677021	TUBE, front, frame cross (welded)	1	ea
<b>1503-PINTLE AND TOWING ATTACHMENTS</b>							
	G740-7697489	2510-769-7489	WO-800051	7697489	BRACKET, lifting hook, rear	2	ea
H1	H001-5424561	012-0424		120424	SCREW, hex-hd, S, cd or zn-pltd, $\frac{1}{2}$ -20NF-3 x $1\frac{1}{4}$	4	ea
H1	H001-4167681	012-0371		120371	NUT, PLAIN, HEXAGON, s-fin, lt, $\frac{1}{2}$ -20NF-2, cd or zn-fin	4	ea
H1	H001-7043801	5310-012-0396		120396	WASHER, FLAT, S, cd or zn-fin, $\frac{17}{32}$ ID, $1\frac{1}{16}$ OD, 0.095 thk	4	ea
H1	H001-7025801	5310-012-0384		120384	WASHER, LOCK, med, S, cd or zn-pltd, $\frac{1}{2}$ in	4	ea
	G740-7410837	2540-741-0837	WO-802765	7410837	BRACKET, w/SPACER, lifting hook, front	2	ea
H1	H001-5424561	012-0424		120424	BOLT, MACHINE, hex-hd, S, cd or zn-pltd, $\frac{1}{2}$ -20NF-3 x $1\frac{1}{4}$	2	ea
H1	H001-5424701	012-4169		124169	BOLT, MACHINE, hex-hd, S, cd or zn-pltd, $\frac{1}{2}$ -20NF-3 x 2	2	ea
H1	H001-7025801	5310-012-0384		120384	WASHER, LOCK, med, S, cd or zn-pltd, $\frac{1}{2}$ in	4	ea
			ACD-91	8676979	CHAIN, snap clip, 5 in (11 links)	4	ea
			WO-800338				
	G740-7697511		WO-800340	7697511	CLIP, snap, lifting hook (superseded by CLIP, G758-8328448)	4	ea
	G758-8328448		WO-807564	8328448	CLIP, snap, lifting hook (supersedes CLIP, G740-7697511)	4	ea
			WO-800328	8676978	CLIP, snap, lifting hook, w/CHAIN, assy (superseded by CLIP, WO-807578)	4	ea
			WO-807578		CLIP, snap, lifting hook, w/CHAIN, assy (supersedes CLIP, 8676978)	4	ea
H1	H001-5614921	014-5371		145371	SCREW, DRIVE, rd-hd, S, cd or zn-fin, blunt-pt, No. 2 (0.086) x $\frac{1}{4}$	4	ea
H16	H016-0504203	050-4203	AD-1641B	504203	FITTING, lubr, hyd type, stght, $\frac{1}{4}$ -28NF taper thd (pintle, hook)	2	ea
	G503-7524313		WO-806365				
			HLH-T63-0	7524313	LATCH, pintle hook	1	ea
			WO-801786				

(1) ILLUSTRATION NO.	(2) REFER- ENCE SYMBOLS	(3) ORDNANCE STOCK NO.	(4) FEDERAL STOCK NO.	(5) MFR'S PART NO.	(6) ORDNANCE PART NO.	(7) DESCRIPTION	(8) QUANTITY INCOR- PORATED IN UNIT	(9) UNIT OF ISSUE
<b>GROUP 15—FRAME AND BRACKETS—Continued</b>								
<b>1503—PINTLE AND TOWING ATTACHMENTS</b>								
<b>—Continued</b>								
15-2				HLH-T62-0L WO-801781		LOCK, left half.....	1	ea
				HLH-T62-0R WO-801782		LOCK, right half.....	1	ea
15-2				HLH-T62-0 WO-801780	7524314	LOCK, pintle hook.....	1	ea
		G503-7524312		HLH-T62-0-1 WO-801779	7524312	LOCK, pintle hook, w/LATCH, assy.....	1	ea
15-2		G503-7524316		HLH-T67-0 WO-801784	7524316	PIN, pintle hook latch.....	1	ea
15-2		G503-7524315		HLH-T64-0 WO-801787	7524315	PIN, pintle hook lock.....	1	ea
15-2		G503-7073213		HLH-T60-0 WO-801778	7073213	PINTLE.....	1	ea
15-2; 18-2		G503-7073209	707-3209	HLH-T60-AD WO-800929	7073209	PINTLE, assy.....	1	ea
15-2	H1	H001-5424701	012-4169		124169	BOLT, MACHINE, hex-hd, S, cd or zn-pltd, 1/2-20NF-3 x 2 (supersedes SCREW, 123899)	4	ea
15-2	H1	H001-4167681	012-0371		120371	NUT, PLAIN, HEXAGON, s-fin, lt, cd or zn-fin, 1/2-20NF-2	4	ea
	H1	H001-5424681	012-3899		123899	SCREW, hex-hd, S, cd or zn-pltd, 1/2-20NF-3 x 1 1/8 (superseded by BOLT, 124169)	4	ea
15-2	H1	H001-7025801	5310-012-0384		120384	WASHER, LOCK, med, S, cd or zn-pltd, 1/2 in.....	4	ea
				WO-801682	8677065	REINFORCEMENT, pintle hook, frame.....	1	ea
15-2	H2	H002-0583035			583035	RING, retn, snap, exter, S, cd or zn-pltd, 0.500 shaft diam (pintle hook lock latch)	4	ea
		G740-7410838		WO-802768	7410838	SHACKLE, lifting, front.....	2	ea
		G740-7697512		WO-800820	7697512	SHACKLE, lifting, rear.....	2	ea
		G740-7697490		CC-126854Z WO-800337	7697490	PIN, STRAIGHT, HEADED, S, cd or zn-pltd, 3/4 x 2 11/16 (dimensions shown are diam and lgh under hd to C/1 of hole)	4	ea
		G740-8328264		WO-800817	8328264	SPACER, bracket, left hook, rear.....	2	ea
		G740-7697488		WO-800047	7697488	SPOOL, parachute.....	4	ea
15-2		G503-7044253		HLH-78 WO-801785	7044253	SPRING, compression, S, 0.625 diam wire, 5/8 OD, 9 coils, 1 3/4 free lgh (pintle hook latch)	1	ea

1504—SPARE WHEEL CARRIER

				WO-674915		BRACKET, spare wheel carrier, w/FILLER, assy (welds to right side body panel)	1	ea
15-3; 18-2	H1	G740-7697436 H001-4167581	012-0377	WO-673344	7697436 120377	BRACKET, support, spare wheel, w/STUDS, assy.....	1	ea
		G740-7697438		WO-673439	7697438	NUT, PLAIN, HEXAGON, lt, s-fin, S, cd or zn-pltd, 3/8-16NC-2	6	ea
	H1	H101-0451976			451976	SCREW, lock washer, mach, hex-hd, S, cd or zn-pltd, 3/8-16NC x 3/4 (superseded by SCREW, H101-0451976)	6	ea
		G740-7697437		WO-673773 WO-663399	7697437	SCREW, MACHINE, hex-hd, w/spring lock washer, S, cd or zn-pltd, 3/8-16NC-2A x 3/4 (supersedes SCREW, G740-7697438)	6	ea
	H1	H101-0123854	012-3854	WO-673349	104858 8677259 123854	BRACKET, vibration dampener, spare wheel.....	1	ea
	H1	H001-4135661	012-0361		120361	FILLER, spare wheel carrier (wood).....	1	ea
	H1	H001-7025621	012-0217		120217	NAIL, fl-hd, bright, S, No. 15 x 3/8.....	2	ea
	H1	H001-7021681	5310-012-1801		121801	PLATE, spare wheel support and reflector retainer.....	1	ea
15-3		G740-7697439		WO-673458	7697439	BOLT, MACH, fl-hd, S, cd or zn-pltd, No. 10-24NC-2 x 1/2	2	ea
15-3	H1	H001-4167581	012-0377		120377	NUT, PLAIN, HEXAGON, S, cd or zn-pltd, No. 10 (0.190)-24NC-2	2	ea
	H1	G758-8329989 H001-3015511	012-6715	WO-643473	8329989 126715	WASHER, LOCK, med, S, cd or zn-pltd, No. 10 (0.190) (superseded by WASHER, 121801)	2	ea
	H1	H001-4167581	012-0377		120377	WASHER, LOCK, S, cd or zn-fin, style No. 2, 0.365 OD, No. 10 screw size (supersedes WASHER, 120217)	2	ea
15-3	H1	H001-7025741	012-0382		120382	SCREW, lock washer, hex-hd, S, cd or zn-pltd, 3/8-16NC x 1 1/8 (used when tire support bracket is mounted on side panel)	2	ea
				WO-674023		NUT, PLAIN, HEXAGON, lt, s-fin, S, cd or zn-pltd, 3/8-16NC-2	2	ea
15-3; 18-2		G740-7697441		WO-673420	7697441	SPACER, tail gate panel to spare wheel support.....	2	ea
15-3	H1	H001-4167581	012-0377		120377	BOLT, square, carriage, rd-hd, S, cd or zn-pltd, 3/8-16NC-2 x 3 1/2 (w/o NUT)	2	ea
		G740-7697438		WO-673439	7697438	NUT, PLAIN, HEXAGON, lt, s-fin, S, cd or zn-pltd, 3/8-16NC-2	2	ea
	H1	H101-0451976			451976	WASHER, LOCK, med, S, reg, cd or zn-pltd, 3/8 in.....	2	ea
						STUD, S, cd or zn-pltd, 1/2-20NF (7/8) x 1 1/8 in lg (spare wheel support bracket)	3	ea
15-3; 18-2		G740-7697441		WO-673420	7697441	SUPPORT, spare wheel, assy.....	1	ea
15-3	H1	H001-4167581	012-0377		120377	NUT, PLAIN, HEXAGON, lt, s-fin, S, cd or zn-pltd, 3/8-16NC-2	4	ea
		G740-7697438		WO-673439	7697438	SCREW, lock washer, mach, hex-hd, S, cd or zn-pltd, 3/8-16NC x 3/4 (superseded by SCREW, H101-0451976)	4	ea
	H1	H101-0451976			451976	SCREW, MACHINE, hex, w/spring lock washer, S, cd or zn-pltd, 3/8-16UNC-2A x 3/4 (supersedes SCREW, G740-7697438)	4	ea

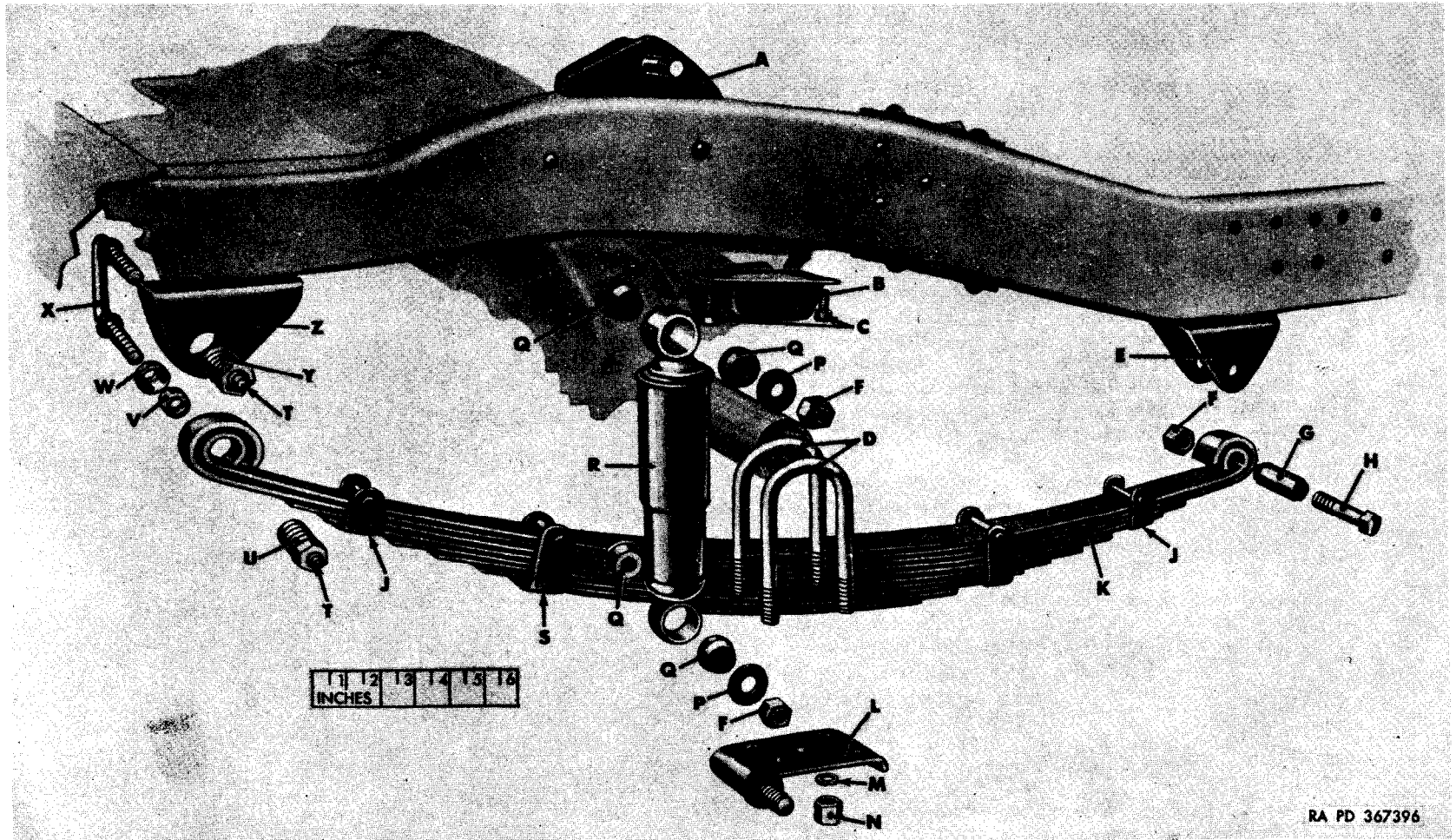


Figure 16-1. Front spring and shock absorber—exploded view

<i>Key</i>	<i>Item</i>	<i>Part No.</i>	<i>Group</i>	<i>Key</i>	<i>Item</i>	<i>Part No.</i>	<i>Group</i>
A	-BRACKET.....	7372505	1501	N	-NUT.....	7371061	1601.1
B	-BUMPER.....	7065901	1601.1	P	-WASHER.....	120389	1604.1
C	-BOLT.....	9409102	1601.1	Q	-BUSHING.....	7343032	1604.1
D	-BOLT "U".....	7371081	1601.1	R	-ABSORBER.....	7697442	1604.1
E	-BRACKET.....	7697573	1501	S	-CLIP.....	7697604	1601.1
F	-NUT.....	503357	1601.1	T	-FITTING.....	504208	1601.1
			1604.1	U	-BEARING.....	7697596	1601.1
G	-BEARING.....	7697597	1601.1	V	-RETAINER.....	7735843	1601.1
H	-SCREW.....	124155	1601.1	W	-SEAL.....	7697602	1601.1
J	-CLIP.....	WO-119962	1601.1	X	-SHACKLE.....	7371090	1601.1
K	-SPRING ASSY.....	7697599	1601.1	Y	-BEARING.....	7697598	1601.1
L	-SEAT.....	7697601	1601.1	Z	-BRACKET.....	7371056	1501
M	-WASHER.....	131100	1601.1				

Figure 16-1. Front spring and shock absorber—legend

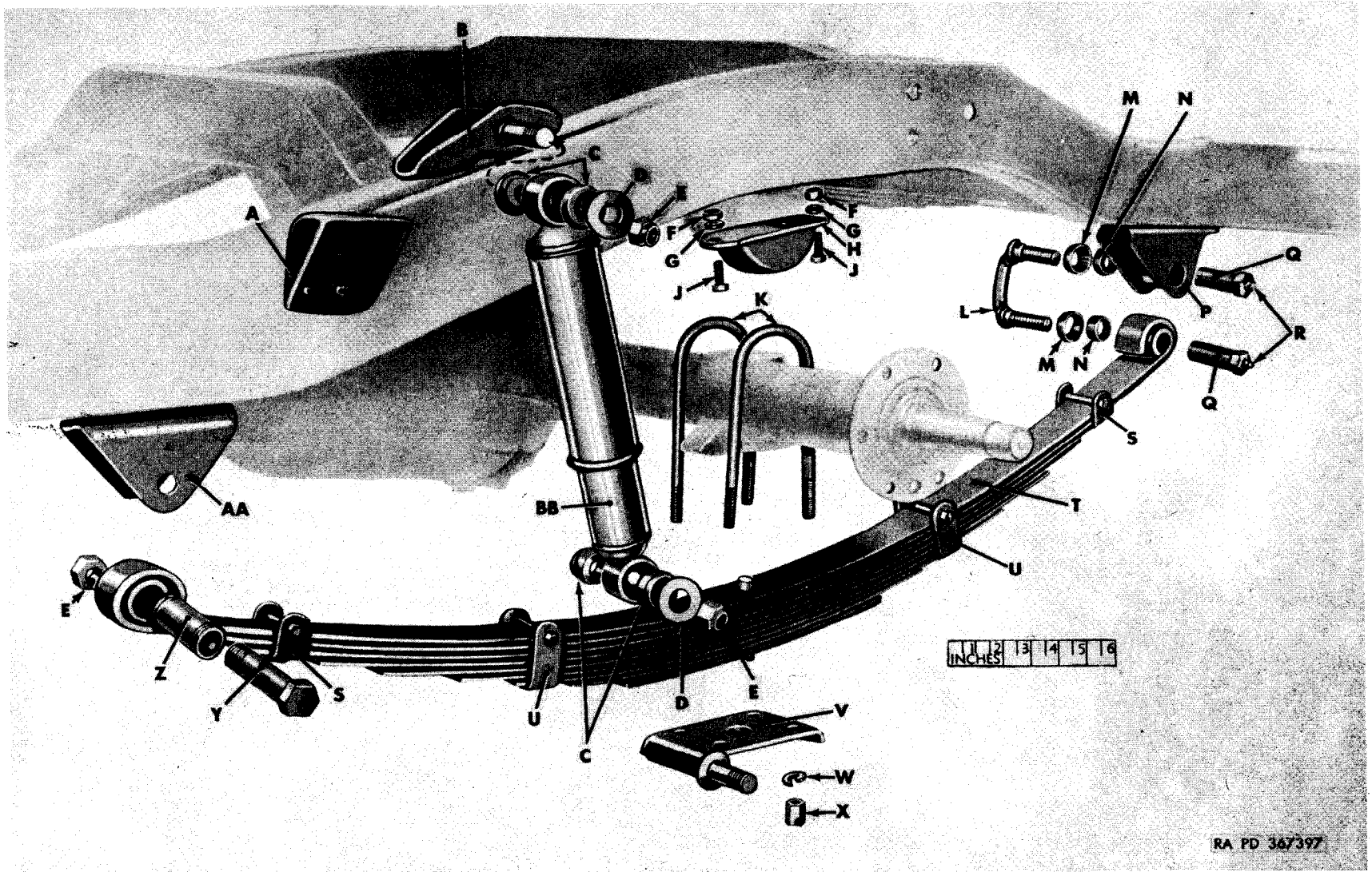


Figure 16-2. Rear spring and shock absorber—exploded view

<i>Key</i>	<i>Item</i>	<i>Part No.</i>	<i>Group</i>	<i>Key</i>	<i>Item</i>	<i>Part No.</i>	<i>Group</i>
A	—BRACKET.....	7697870	1501	P	—BRACKET.....	7371056	1501
B	—BRACKET.....	7372506	1501	Q	—BEARING.....	7697598	1601.3
C	—BUSHING.....	7343032	1604.1	R	—FITTING.....	504208	1601.3
D	—WASHER.....	120389	1604.1	S	—CLIP.....	WO-119964	1601.3
E	—NUT.....	503357	{ 1604.1	T	—SPRING, ASSY.....	7375002	1601.3
			{ 1601.3	U	—CLIP.....	7375004	1601.3
F	—NUT.....	120368	1601.3	V	—SEAT.....	7375000	1601.3
G	—WASHER.....	120214	1601.3	W	—WASHER.....	131100	1601.3
H	—BUMPER.....	7065901	1601.3	X	—NUT.....	7371061	1601.3
J	—BOLT.....	120741	1601.3	Y	—BOLT.....	124155	1601.3
K	—BOLT “U”.....	7375005	1601.3	Z	—BEARING.....	7697597	1601.3
L	—BOLT “U”.....	7735833	1601.3	AA	—BRACKET.....	7697573	1501
M	—RETAINER.....	7735843	1601.3	BB	—ABSORBER.....	7697443	1604.1
N	—SEAL.....	7697602	1601.3				

*Figure 16-2. Rear spring and shock absorber—legend*



(1)	(2)	(3)	(4)	(5)	(6)	(7)	(8)	(9)
ILLUSTRATION NO.	REFERENCE SYMBOLS	ORDNANCE STOCK NO.	FEDERAL STOCK NO.	MFR'S PART NO.	ORDNANCE PART NO.	DESCRIPTION	QUANTITY INCORPORATED IN UNIT	UNIT OF ISSUE
<b>GROUP 16—SPRINGS AND SHOCK ABSORBERS</b>								
<b>1601.1—FRONT SPRINGS</b>								
16-1		G740-7697597	3120-769-7597	WO-801624	7697597	BEARING, silent block, bushing type (front spring)	2	ea
16-1		G740-7697598		WO-801244	7697598	BEARING, spring shackle, RH thd (front end, right front spring (2) and front end left front spring (1))	3	ea
16-1		G740-7697596	3120-769-7596	WO-801245	7697596	BEARING, spring shackle, LH thd (front end, front left spring)	1	ea
		G503-7371057	5305-737-1057	WO-116610	7371057	BOLT, center, S, $\frac{5}{16}$ -24NF-2 x $2\frac{3}{8}$ (front spring) (for 10 leaf)	1	ea
		G503-7371054	5305-737-1054	WO-116711	7371054	BOLT, center, S, $\frac{5}{16}$ -24NF-2 x $2\frac{3}{8}$ , w/NUT, assy (front spring) (for 10 leaf)	1	ea
	H1	H001-4167561	012-0368		120368	NUT, PLAIN, HEXAGON, reg, s-fin, S, $\frac{5}{16}$ -24NF-2	2	ea
		G503-7735833	2510-773-5833	WO-A514	7735833	BOLT, "U", RH thd (front end, right front spring)	1	ea
		G503-7371059		WO-A8289	7371059	BOLT, "U", spring, front (right spring over axle tube)	1	ea
16-1		G503-7371081	5305-737-1081	WO-A575	7371081	BOLT, "U", spring, front (right spring over axle tube (1) and left spring over axle tube (2))	3	ea
16-1		G503-7371061	5310-495-9542	WO-339372	7371061	NUT, PLAIN, HEXAGON, sp, $\frac{1}{16}$ 20NF-2	8	ea
16-1	H1	H101-0131100	5310-013-1100		131100	WASHER, LOCK, S, cd or zn-fin, style No. 9, 0.792 OD, $\frac{1}{16}$ in bolt size	8	ea
16-1		G740-7065901	2530-706-5901	WO-802454	7065901	BUMPER, front axle	2	ea
16-1	H1	H101-9409102			9409102	BOLT, MACHINE, hex-hd, w/spring lock washer, S, cd or zn-pltd, $\frac{5}{16}$ -24NF-2 x $\frac{3}{4}$	4	ea
16-1		G740-7697604		WO-118056	7697604	CLIP, rebound, front, large, assy (includes CLIP, BOLT, SPACER, and NUT)	4	ea
		G740-7697603		WO-118037	7697603	CLIP, rebound, front, small (superseded by CLIP, WO-119962)	4	ea
16-1				WO-119962		CLIP, rebound, front, small, assy (includes CLIP, BOLT, SPACER and NUT) (supersedes CLIP, G740-7697603)	4	ea
16-1	H16	H016-0504208	050-4208		504208	FITTING, LUBRICATION, hyd type, S, cd or zn-fin, male thd, $\frac{1}{8}$ -27NPT ball check valve (spring shackle bushing)	4	ea
16-1		G503-7735843		WO-A1252	7735843	RETAINER, grease seal, spring shackle	4	ea
16-1	H1	H101-0124155	012-4155		124155	SCREW, machine, hex-hd, S, cd or zn-pltd, $\frac{1}{16}$ -20NF-3 x 3 (spring pivot)	2	ea
16-1	H1	H101-0503357	050-3357		503357	NUT, SELF-LOCKING, HEXAGON, S, cd or zn-fin, $\frac{1}{16}$ -20NF-3 (critical installations)	2	ea
16-1		G740-7697602		WO-801045	7697602	SEAL, grease, ru, $\frac{5}{8}$ ID, 1 OD, $\frac{15}{32}$ thk (spring shackle)	4	ea

16-1		G740-7697601		WO-800821	7697601	SEAT, spring clip, front left, w/SHAFT, assy (welded) (includes SHAFT and WASHER)	1	ea
		G740-7697600		WO-800823	7697600	SEAT, spring clip, front right, w/SHAFT (welded) (includes SHAFT and WASHER)	1	ea
16-1		G503-7371090	2510-737-1090	WO-A513	7371090	SHACKLE, LH thd (front end, left front spring)	1	ea
16-1		G740-7697599	2510-769-7599	WO-801619	7697599	SPRING, FRONT, assy (10 leaf)	2	ea
					7371057	Composed of:		
					7697604	1 BOLT		
				WO-119962		2 CLIP, large, assy		
				WO-118521		2 CLIP, small, assy		
				WO-118522		1 LEAF, No. 1 (36¼ in between eye center)		
				WO-118523		1 LEAF, No. 2 (36¼ in between eye center)		
				WO-118524		1 LEAF, No. 3 (32 long)		
				WO-118525		1 LEAF, No. 4 (30 long) w/clip		
				WO-118526		1 LEAF, No. 5 (26 long)		
				WO-118527		1 LEAF, No. 6 (23 long)		
				WO-118528		1 LEAF, No. 7 (20½ long)		
				WO-118529		1 LEAF, No. 8 (18 long) w/clip		
				WO-118530		1 LEAF, No. 9 (14 long)		
						1 LEAF, No. 10 (10 long)		
				WO-801623	120368	1 NUT		
				WO-808065	8673317	SPRING, front, w/BEARING, assy (optional w/SPRING, WO-808065)	2	ea
						SPRING, front, w/BEARING, assy (optional w/SPRING, 8673317)	2	ea
						<b>1601.3-REAR SPRINGS</b>		
16-2		G740-7697597	3120-769-7597	WO-801624	7697597	BEARING, silent block (rear spring)	2	ea
		G740-7697596		WO-801245	7697596	BEARING, spring shackle, LH thd (rear and right rear spring)	1	ea
16-2		G740-7697598	3120-769-7598	WO-801244	7697598	BEARING, spring shackle, RH thd (rear end left rear spring (2)) (rear end right rear spring (1))	3	ea
		G740-7375006	5305-737-5006	WO-116715	7375006	BOLT, center, S, 5/16-24NF-2 x 2 3/4 (rear spring, 11 leaf) (superseded by BOLT, G503-7371055)	2	ea
		G503-7371055	5305-737-1055		7371055	BOLT, center, S, 5/16-24NF-2 x 2 3/4 (rear spring, for 11 leaf) (superseded BOLT, G740-7375006)	2	ea
16-2	H1	H001-4167561	012-0368		120368	NUT, PLAIN, HEXAGON, lt, s-fin, S, cd or zn-pltd, 5/16-24NF-2	2	ea
16-2	H1	H101-0124155	012-4155		124155	BOLT, MACHINE, hex-hd, S, cd or zn-pltd, 1/16-20NF-3 x 3 (spring pivot)	2	ea
16-2	H1	H101-0503357	050-3357		503357	NUT, SELF-LOCKING, HEXAGON, S, cd or zn-fin, 7/16-20UNF-3B	2	ea
16-2		G503-7735833	2510-773-5833	WO-A514	7735833	BOLT, "U," RH thd (rear end, left rear spring)	1	ea

(1)	(2)	(3)	(4)	(5)	(6)	(7)	(8)	(9)
ILLUSTRATION NO.	REFERENCE SYMBOLS	ORDNANCE STOCK NO.	FEDERAL STOCK NO.	MFR'S PART NO.	ORDNANCE PART NO.	DESCRIPTION	QUANTITY INCORPORATED IN UNIT	UNIT OF ISSUE
						<b>GROUP 16—SPRINGS AND SHOCK ABSORBERS</b>		
						<b>—Continued</b>		
						<b>1601.3—REAR SPRINGS—Continued</b>		
16-2		G740-7375005	5305-737-5005	WO-642987	7375005	BOLT, "U", spring, rear.....	4	ea
16-2		G503-7371061	5310-495-9542	WO-339372	7371061	NUT, PLAIN, HEXAGON, sp, S, $\frac{1}{16}$ -20NF-2.....	8	ea
16-2	H1	H101-0131100	5310-013-1100		131100	WASHER, LOCK, S, cd or zn-pltd, style No. 9, 0.792 OD, $\frac{1}{16}$ in bolt size	8	ea
16-2		G740-7065901	2530-706-5901	WO-802454	7065901	BUMPER, rear axle.....	2	ea
16-2	H1	H001-5419821	012-0741		120741	BOLT, MACHINE, hex-hd, S, cd or zn-pltd, $\frac{5}{16}$ -24NF-3 x $\frac{3}{4}$ (rear axle bumpers to frame)	4	ea
16-2	H1	H001-4167561	012-0368		120368	NUT, PLAIN, HEXAGON, lt, s-fin, S, cd or zn-pltd, $\frac{5}{16}$ -24NF-2	4	ea
16-2	H1	H001-7025711	5310-012-0214		120214	WASHER, LOCK, med, S, cd or zn-pltd, $\frac{5}{16}$ in.....	4	ea
16-2		G740-7375004		WO-118058	7375004	CLIP, rebound, rear, large, assy (includes CLIP, BOLT, SPACER, and NUT)	4	ea
		G740-7375003		WO-118057	7375003	CLIP, rebound, rear, small (includes CLIP, BOLT, SPACER, and NUT) (superseded by CLIP, WO-119964)	4	ea
16-2				WO-119964		CLIP, rebound, rear, small, assy (includes CLIP, BOLT, SPACER, and NUT) (supersedes CLIP, G740-7375003)	4	ea
16-2	H16	H016-0504208	050-4208		504208	FITTING, LUBRICATION, hyd type, S, cd or zn-fin, male thd, $\frac{1}{8}$ -27NPT ball check valve	4	ea
16-2		G503-7735843		WO-A1252	7735843	RETAINER, grease seal, spring shackle.....	4	ea
16-2		G740-7697602		WO-801045	7697602	SEAL, grease, ru, $\frac{5}{8}$ ID, 1 OD, $\frac{15}{32}$ thk (spring shackle).....	4	ea
16-2		G740-7375000		WO-801735	7375000	SEAT, spring clip, left rear, w/SHAFT, and WASHER (welded)	1	ea
		G740-7375001		WO-801736	7375001	SEAT, spring clip, right rear, w/SHAFT, assy (welded).....	1	ea
		G503-7371090		WO-A513	7371090	SHACKLE, LH thd (rear end, right rear spring).....	1	ea
16-2		G740-7375002	2510-737-5002	WO-801659	7375002	SPRING, rear, assy (11 leaf).....	2	ea
					7371055	Composed of:		
					7375004	1 BOLT		
						2 CLIP, large, assy		
				WO-119964		2 CLIP, small, assy		
				WO-118531		1 LEAF, No. 1 (42 in between eye centers)		
				WO-118532		1 LEAF, No. 2 (42 in between eye centers)		

				WO-118533		1 LEAF, No. 3 (39 in)
				WO-118534		1 LEAF, No. 4 (36 in)
				WO-118535		1 LEAF, No. 5 (32 in)
				WO-118536		1 LEAF, No. 6 (30 in)
				WO-118537		1 LEAF, No. 7 (28 in)
				WO-118538		1 LEAF, No. 8 (23 in)
				WO-118539		1 LEAF, No. 9 (19 in)
				WO-118540		1 LEAF, No. 10 (15 in)
				WO-118541		1 LEAF, No. 11 (11 in)
					120368	1 NUT
				WO-801658		SPRING, rear, w/BEARING, (part no. WO-808062)
				WO-808062		SPRING, rear, w/BEARING, (part no. WO-801658)
						<b>1604.1—SHOCK ABSORBER</b>
16-1	G740-7697442		MAE-18236	7697442		ABSORBER, shock, front, assy (part no. MAE-18236)
			WO-800991			
16-2	G740-7697443	2540-769-7443	MAE-18237	7697443		ABSORBER, shock, rear, assy (part no. MAE-18237)
			WO-800992			
16-1, 2	H1	H101-0503357	050-3357	503357		NUT, SELF-LOCKING, HEXAGON, 3/16-20NF-3 pltd, 3/16-20NF-3
16-1, 2	H1	H001-7045621	5310-012-0389	120389		WASHER, FLAT, S, cd or mpd (part no. H001-7045621) 0.083 thk
16-1, 2		G503-7343032	HP-779	7343032		BUSHING, shock absorber mounting (part no. HP-779)
			WO-637936			

1701

286

(1) ILLUSTRATION NO.	(2) REFERENCE SYMBOLS	(3) ORDNANCE STOCK NO.	(4) FEDERAL STOCK NO.	(5) MFR'S PART NO.	(6) ORDNANCE PART NO.	(7) DESCRIPTION	(8) QUANTITY INCORPORATED IN UNIT	(9) UNIT OF ISSUE
						<b>GROUP 17—FENDERS AND HOOD</b>		
						<b>1701—FENDERS</b>		
		G503-7743875		FM-GPW16132	7743875	ANTI-SQUEAK, fender to cowl side panel, lower (superseded by ANTI-SQUEAK, 17-W-918)	2	ea
		G503-7743876		FM-GPW16159	7743876	ANTI-SQUEAK, fender to cowl side panel, upper (superseded by ANTI-SQUEAK, 17-W-918)	2	ea
	H9	H009-0100890			17-W-918	ANTI-SQUEAK, fender to cowl side panel lower and upper (supersedes ANTI-SQUEAK, G503-7743875 and G503-7743876)	†	yds
				WO-A3179		BOLT, welding, $\frac{5}{16}$ -18NC x $\frac{5}{8}$ (battery to front fender strap bolt reinforcement to front fender)	2	ea
		G740-7697493		WO-A2843	7697493	BRACE, left fender, front.....	2	ea
		G740-7697494	2510-769-7494	WO-A2844	7697494	BRACE, right fender, front.....	1	ea
	H1	H101-0123814	012-3814		123814	BOLT, MACHINE, hex-hd, S, cd or zn-pltd, $\frac{3}{8}$ -24NF-3 x $1\frac{3}{8}$ (superseded by BOLT, 120677)	4	ea
	H1	H001-5421341	012-0677		120677	BOLT, MACHINE, hex-hd, S, cd or zn-pltd, $\frac{3}{8}$ -24NF-3 x $1\frac{1}{2}$ (supersedes BOLT, H101-0123814)	4	ea
	H1	H001-7045591	5310-012-0388		120388	WASHER, FLAT, S, cd or zn-pltd, $\frac{1}{16}$ ID, 1 OD, 0.083 thk	4	ea
	H1	H001-7025741	5310-012-0382		120382	WASHER, LOCK, med, S, cd or zn-pltd, $\frac{3}{8}$ in.....	4	ea
		G740-7697495		WO-673493	7697495	FENDER, front, left, w/NUTS (welded).....	1	ea
		G740-7697496	2510-769-7496	WO-673494	7697496	FENDER, front, right, w/NUTS (welded).....	1	ea
	H1	H001-4167541	012-0376		120376	NUT, PLAIN, HEXAGON, lt-fin, S, cd or zn-pltd, $\frac{5}{16}$ -18NC-2	2	ea
	H1	H001-4139781	012-0399		120399	NUT, PLAIN, SQUARE, cd or zn-pltd, $\frac{5}{16}$ -18NC-2.....	2	ea
		G740-7697548	2510-769-7548	WO-A3549	7697548	RETAINER, sq, nut, $\frac{5}{16}$ in.....	2	ea
		G740-7372886	5305-737-2886	WO-673468	7372886	SCREW, int-teeth-lock washer, hex-hd, S, cd or zn-pltd, $\frac{5}{16}$ -18NC x 6/8 (8 required through serial No. 34151)	8	ea
					432407	PLUG, button, S, cd or zn-pltd, $\frac{9}{32}$ in diam hole size (for 0.032 to 0.078 in thk material) (splash apron, left front fender (5) used on vehicles after serial No. 34151) (splash apron, right front fender (2) used on vehicles after serial No. 42982)	7	ea
				WO-A3097		REINFORCEMENT, left front fender.....	1	ea
				WO-A3098		REINFORCEMENT, right front fender.....	1	ea

1703-HOOD

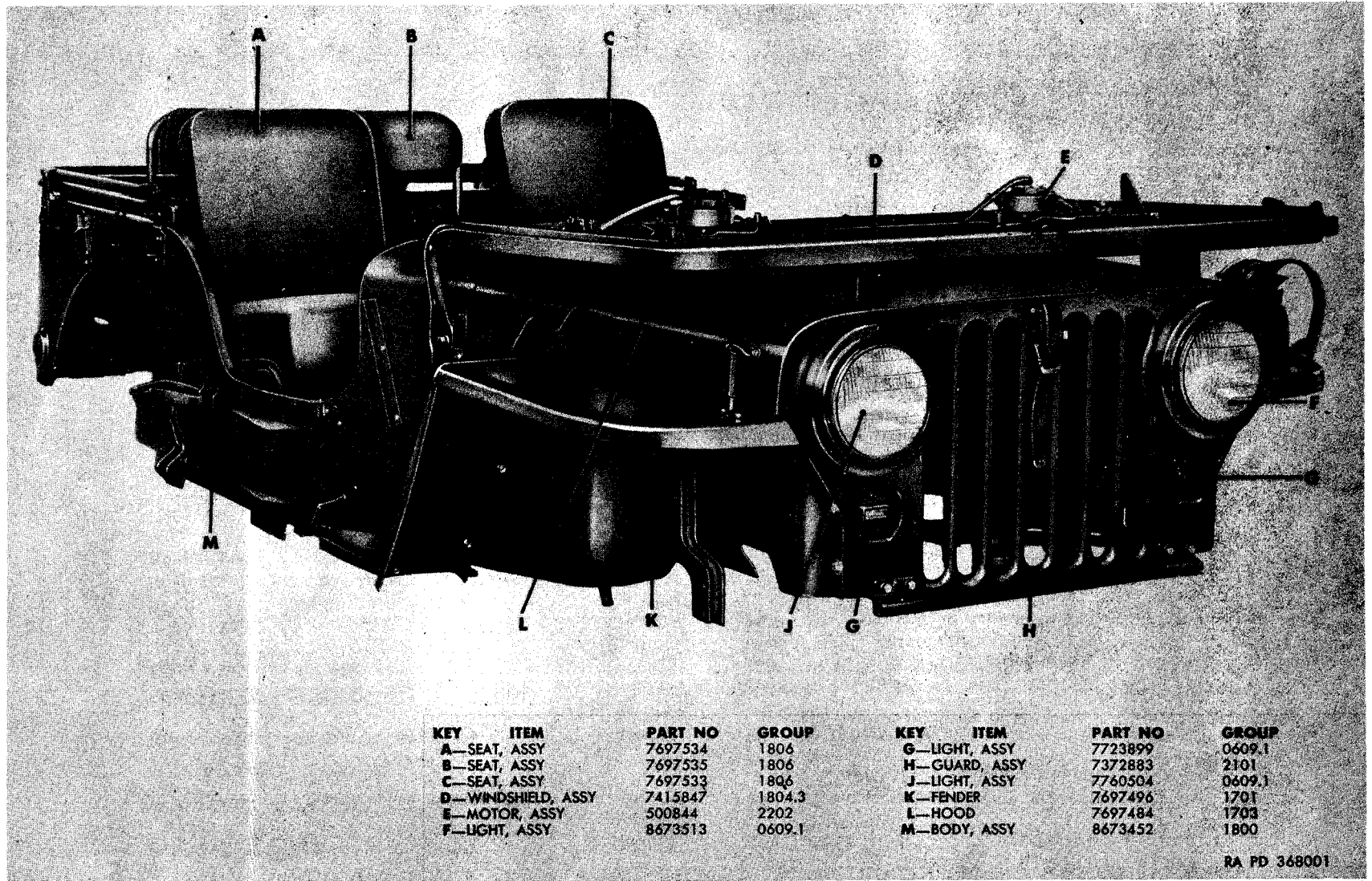
18-3

287

18-1, 3

1703

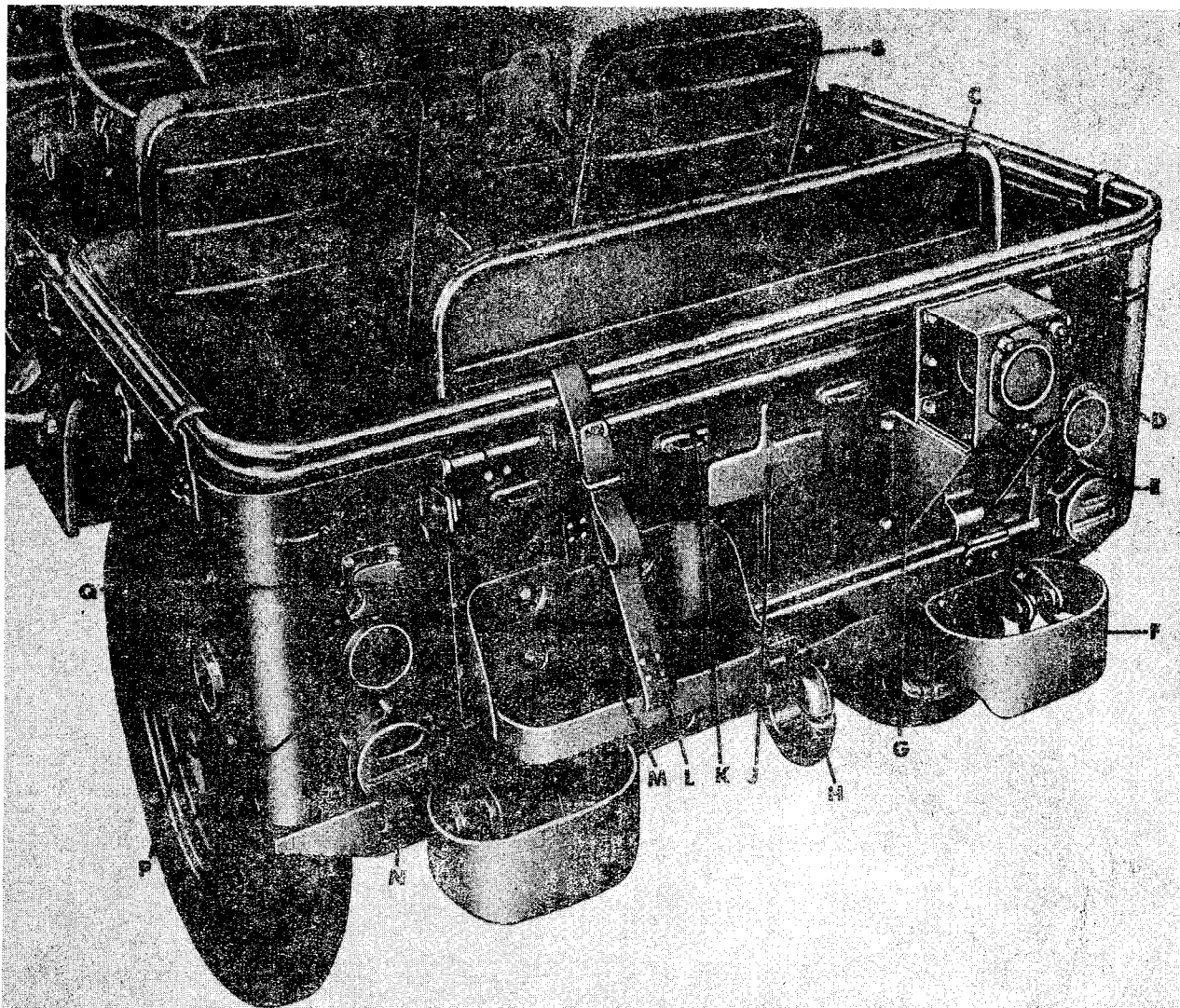
H1	G740-7697483	2510-769-7483	WO-673436	7697483	BRACKET, hood catch	2	ea
	H101-0425380	042-5380		425380	BOLT, INTEGRAL LOCK WASHER, int-teeth-lock washer, hex-hd, header-pt, S, cd or zn-pltd, 1/4-20NC-2 x 5/8 (supersedes SCREW, G740-7372885)	4	ea
H1	H001-4167501	012-0375		120375	NUT, PLAIN, HEXAGON, lt, s-fin, S, cd or zn-pltd, 1/4-20NC-2	4	ea
	G740-7372885	5305-737-2885	WO-673600	7372885	SCREW, int-teeth-lock washer, hex-hd, S, cd or zn-pltd, 1/4-20NC x 5/8 (superseded by BOLT, H101-0425380)	4	ea
H1	H001-7045531	5310-012-0386		120386	WASHER, FLAT, PLAIN, cd or zn-pltd, 1/4 x 3/4 x 1/16 thk	4	ea
	G740-7697482	2510-769-7482	WO-673435	7697482	BUMPER, hood top, windshield	2	ea
H1	H001-4135661	012-0361		120361	NUT, PLAIN, HEXAGON, mach screw, S, cd or zn-pltd, No. 10 (0.190)-24NC-2	4	ea
	H101-7697486			7697486	SCREW, int-tooth-lock washer, rd-hd, sltd, No. 10-24 x 1 1/4	4	ea
H1	G740-7697487	2510-769-7487	WO-673631	7697487	CATCH, hood	2	ea
	H001-5417601	012-0854		120854	BOLT, MACHINE, hex-hd, S, cd or zn-pltd, 1/4-20NC-3 x 5/8	4	ea
H1	H001-4167501	012-0375		120375	NUT, PLAIN, HEXAGON, lt, s-fin, S, cd or zn-pltd, 1/4-20NC-2	4	ea
	H001-7045531	5310-012-0386		120386	WASHER, FLAT, cd or zn-pltd, 1/4 x 3/4 x 1/16 thk	4	ea
H1	H001-7025681	5310-012-0380		120380	WASHER, LOCK, med, S, cd or zn-pltd, 1/4 in	4	ea
	G740-7697480		WO-670950 WO-670949 WER-X2732 WO-670948	7697480	HINGE, lower half	1	ea
H1	G740-7697484	2510-769-7484	WO-673442	7697484	HINGE, upper half	1	ea
	H101-0425380	042-5380		425380	HINGE, hood, assy	1	ea
H1	G740-7372885	5305-737-2885	WO-673600	7372885	HOOD (welded) (painted)	1	ea
	H001-7043681	5310-012-0392		120392	BOLT, INTEGRAL LOCK WASHER, int-teeth-lock washer, hex-hd, header-pt, S, cd or zn-pltd, 1/4-20NC-2 x 5/8 (supersedes SCREW, G740-7372885)	5	ea
H1	G740-7697481		WO-670951 WO-680554	7697481	SCREW, int-teeth-lock washer, hex-hd, S, cd or zn-pltd, 1/4-20NC x 5/8 (superseded by BOLT, H101-0425380)	5	ea
	H101-0271166			271166	WASHER, FLAT, light series S, cd or zn-pltd, 1/4 in, 5/32 ID, 5/8 OD, 0.065 thk	5	ea
H1	H001-5148231	5305-013-2830		132830	PIN, STRAIGHT, HEADLESS, S, 1/4 x 15 lg (hinge)	1	ea
					PLATE, cover, hood receptacle opening (used on vehicles after serial No. 47771)	1	ea
H1					NUT, hex, w/ext-teeth-lock washer, Keps type, No. 10 (0.190)-24NC-2A	2	ea
					SCREW, MACH, rd-hd, S, cd or zn-pltd, No. 10 (0.190)-24NC-2A x 3/8	2	ea



KEY	ITEM	PART NO	GROUP	KEY	ITEM	PART NO	GROUP
A	SEAT, ASSY	7697534	1806	G	LIGHT, ASSY	7723899	0609.1
B	SEAT, ASSY	7697535	1806	H	GUARD, ASSY	7372883	2101
C	SEAT, ASSY	7697533	1806	J	LIGHT, ASSY	7760504	0609.1
D	WINDSHIELD, ASSY	7415847	1804.3	K	FENDER	7697496	1701
E	MOTOR, ASSY	500844	2202	L	HOOD	7697484	1703
F	LIGHT, ASSY	8673513	0609.1	M	BODY, ASSY	8673452	1800

RA PD 368001

Figure 18-1. Body—right front view

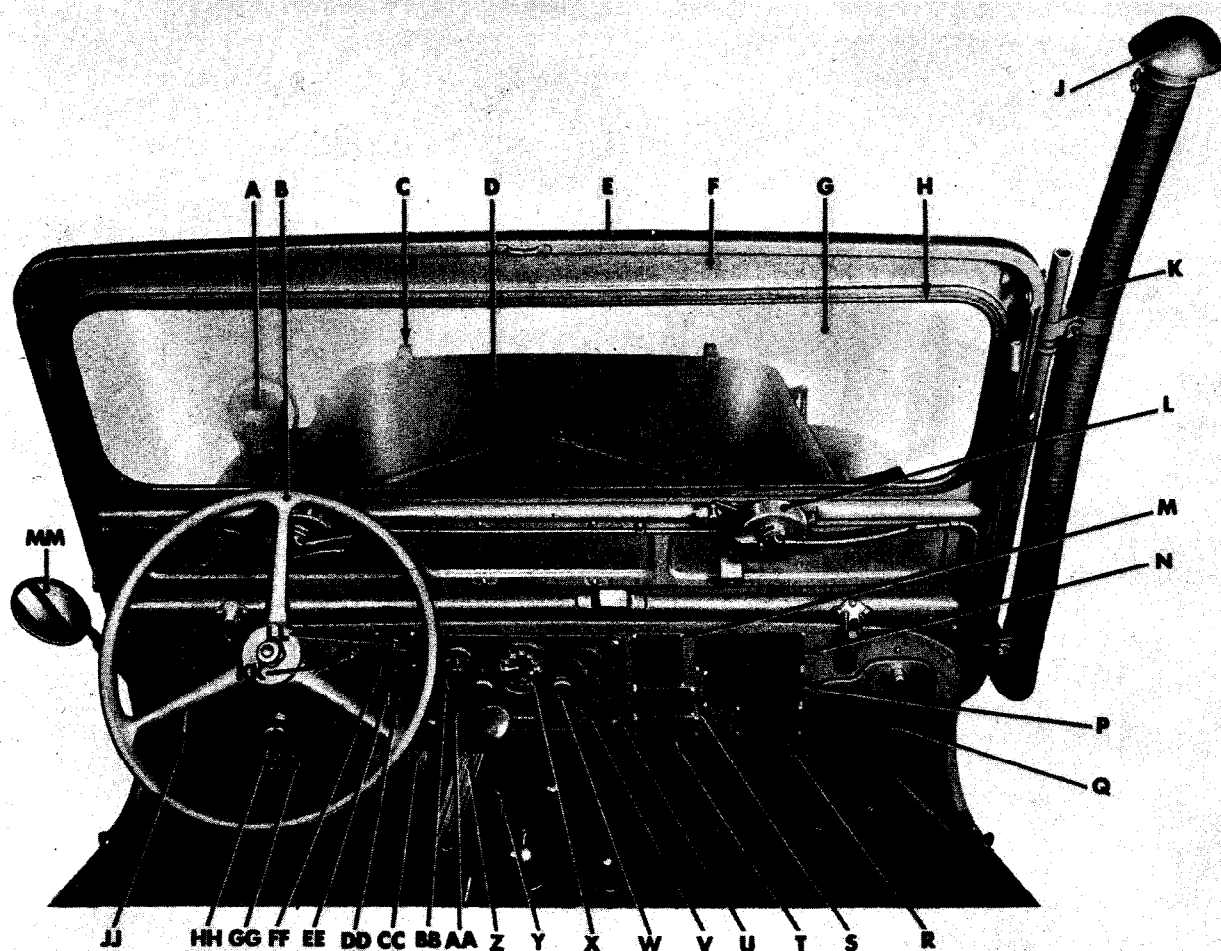


KEY ITEM	PART NO	GROUP	KEY ITEM	PART NO	GROUP
A—SEAT, ASSY	7697533	1806	J—GATE, ASSY	7697445	1803.1
B—SEAT, ASSY	7697534	1806	K—LOOP	7697591	1803.1
C—SEAT, ASSY	7697535	1806	L—STRAP, ASSY	7698489	1808
D—BRACKET, ASSY	7697436	1504	M—BRACKET, ASSY	7375163	1808
E—LIGHT, ASSY	7760506	0609.1	N—LIGHT, ASSY	7760507	0609.1
F—BUMPERETTE	7372819	2101	P—REFLECTOR	506101	2202
G—SUPPORT, ASSY	7697441	1504	Q—COVER, ASSY	7731428	0617
H—PINTLE, ASSY	7073209	1503			

RA PJ 371029

Figure 18-2. Body—rear view

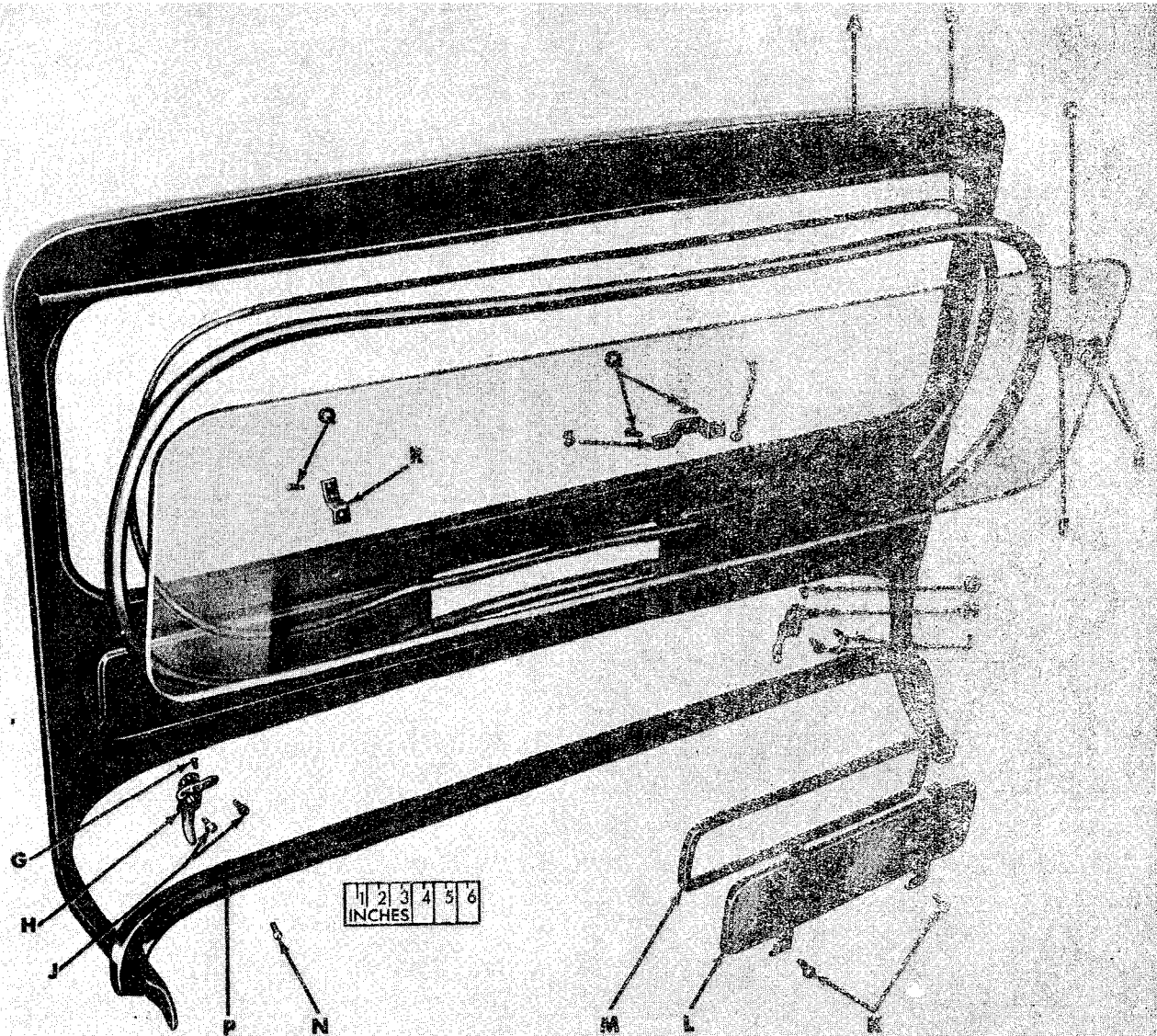




KEY	ITEM	PART NO	GROUP	KEY	ITEM	PART NO	GROUP
A	LIGHT, ASSY	7760505	0609.1	U	GAGE, ASSY	7728852	0607
B	WHEEL, ASSY	7375336	1401	V	GAGE, ASSY	7728853	0607
C	BUMPER	7697482	1703	W	LIGHT, ASSY	7760412	0607
D	HOOD	7697484	1703	X	SPEEDOMETER, ASSY	7760396	2208.1
E	FRAME, ASSY	7375311	1804.3	Y	REST	7375392	0312
F	WINDSHIELD, ASSY	7415847	1804.3	Z	PEDAL, ASSY	8677341	0312
G	GLASS	WO-670911	1804.3	AA	GAGE, ASSY	7389567	0607
H	WEATHERSTRIP	7375396	1804.3	BB	AMMETER, ASSY	7728854	0607
J	PRECLEANER	7375118	0304.1	CC	PEDAL, ASSY	7697453	1206
K	HOSE	WO-802041	0304.5	DD	CONTROL, ASSY	7375116	0312
L	MOTOR, ASSY	500844	2202	EE	CONTROL, ASSY	7375115	0312
M	PLATE	7697563	2210	FF	PLATE	7697554	2210
N	PLATE	7697558	2210	GG	PEDAL, ASSY	7371342	0202
P	PLATE	7697560	2210	HH	KNOB	7700819	0311.1
Q	DOOR, ASSY	8673984	1808	JJ	HANDLE	7697432	1201
R	PLATE	WO-807212	2210	KK	SWITCH, ASSY	7760409	0607
S	PLATE	7697562	2210	LL	CONTROL	7375127	0304.5
T	PLATE	7697561	2210	MM	MIRROR	547202	2202

RA PD 367412

Figure 18-3. Front compartment



KEY ITEM	PART NO	KEY ITEM	PART NO
A—FRAME	7375311	K—SCREW	423477
B—FILLER	7375316	L—DOOR	7375318
C—WEATHERSTRIP	7375396	M—WEATHERSTRIP	7375394
D—GLASS	WO-670911	N—SCREW	145193
E—SCREW	8676961	P—WEATHERSEAL	7375397
F—BRACKET	7375161	Q—BOLT	425388
G—SCREW	145255	R—BRACKET	7375160
H—LOCK	7375361	S—BRACKET	7375159
J—SCREW	WO-673551	Y—NUT	120376

NOTE: ALL PARTS LISTED ARE IN GROUP 1804.3

7A PD 387412

Figure 18-4. Windshield and ventilator—exploded view

(1) ILLUSTRATION NO.	(2) REFERENCE SYMBOLS	(3) ORDNANCE STOCK NO.	(4) FEDERAL STOCK NO.	(5) MFR'S PART NO.	(6) ORDNANCE PART NO.	(7) DESCRIPTION	(8) QUANTITY INCORPORATED IN UNIT	(9) UNIT OF ISSUE
<b>GROUP 18—BODY</b>								
<b>1800—BODY ASSEMBLY</b>								
18-1				WO-674083	8673452	BODY, complete, assy (includes BOWS, BRACES, BRACKETS, CLAMPS, COMPARTMENTS, HANDLES, TAILLIGHTS, MIRROR, SEALS, SEATS, FLOORS, and PANELS (painted))	1	ea
		G740-7375123		WO-673859 PEE-261 WO-666197 PEE-144.4 WO-671829	7375123 8673998	BODY (welded parts only) (painted)..... SEALER, presstite welding.....	1 ‡	ea ea
		G503-7701327		WO-A4413	7701327	CUSHION, 3 in lg, 1½ in wide, ⅜ in thk (No. 1 body hold-down)	2	ea
		G740-7697513		WO-A4416	7697513	CUSHION, ru, 2⅝ in lg, 1½ in wide, ⅛ in thk (No. 1 body hold-down)	2	ea
	H1	H001-5421261	012-0647		120647	BOLT, MACHINE, hex-hd, S, cd or zn-pltd, ⅜-24NF-3 x 1	2	ea
	H1	H001-7045591	012-0388		120388	WASHER, FLAT, S, cd or zn-pltd, ⅜ ID, 1 OD, 0.083 thk	2	ea
	H1	H001-7025741 G503-7701328	012-0382		120382	WASHER, LOCK, med, reg, S, cd or zn-pltd, ⅜ in.....	2	ea
	H1	H001-5421441	012-0678	WO-A4414	7701328	CUSHION, ru, 3 in lg, 1½ in wide, ⅛ in thk (No. 2 body hold-down)	2	ea
	H1				120678	BOLT, MACHINE, hex-hd, S, cd or zn-pltd, ⅜-24NF-3 x 2 in	2	ea
	H1				442828	NUT, self-locking, hex, "Huglock", S, cd or zn-pltd, ⅜-24UNF-2B, ⅜ in wide, 1⅜ in thk	2	ea
	H1	H001-7045591	012-0388		120388	WASHER, FLAT, S, cd or zn-fin, ⅜ ID, 1 OD, 0.083 thk	4	ea
		G740-7697514		WO-670540	7697514	CUSHION, ru, 3 in lg, 1½ in wide, ¼ in thk (No. 3 body hold-down, left side only)	1	ea
	H1	H001-5421261	012-0647		120647	BOLT, MACHINE, hex-hd, S, cd or zn-pltd, ⅜-24NF-3 x 1	1	ea
	H1	H001-7045591	012-0388		120388	WASHER, FLAT, S, cd or zn-fin, ⅜ ID, 1 OD, 0.083 thk	1	ea
	H1	H001-7025741 G740-7697514	012-0382		120382	WASHER, lock, med, reg, S, cd or zn-pltd, ⅜ in..... CUSHION, ru, 3 in lg, 1½ in wide, ¼ in thk (No. 3 body hold-down, right side only)	1 1	ea ea

H1	H001-5421441	012-0678		120678	BOLT, MACHINE, hex-hd, S, cd or zn-pltd, $\frac{3}{8}$ -24NF-3 x 2	1	ea
H1				442828	NUT, self-locking, hex, "Huglock," S, cd or zn-pltd, $\frac{3}{8}$ -24UNF-2B, $\frac{9}{16}$ in wide, $\frac{13}{32}$ in thk	1	ea
H1	H001-7045591	012-0388		120388	WASHER, FLAT, S, cd or zn-fin, $\frac{1}{16}$ ID, 1 OD, 0.083 thk	2	ea
	G503-7701328		WO-A4414	7701328	CUSHION, ru, 3 in lg, 1 $\frac{1}{2}$ in wide, $\frac{1}{8}$ in thk (No. 4 body hold-down)	2	ea
H1	H001-5421261	012-0647		120647	BOLT, MACHINE, hex-hd, S, cd or zn-pltd, $\frac{3}{8}$ -24NF-3 x 1	2	ea
H1				442828	NUT, self-locking, hex, "Huglock," S, cd or zn-pltd, $\frac{3}{8}$ -24UNF-2B, $\frac{9}{16}$ in wide, $\frac{13}{32}$ in thk	2	ea
H1	H001-7045591	012-0388		120388	WASHER, FLAT, S, cd or zn-fin, $\frac{1}{16}$ ID, 1 OD, 0.083 thk	4	ea
	G503-7701328		WO-A4414	7701328	CUSHION, ru, 3 in lg, 1 $\frac{1}{2}$ in wide, $\frac{1}{8}$ in thk (No. 5 body hold-down)	2	ea
H1	H001-3056941	012-8439		128439	BOLT, SQUARENECK, S, cd or zn-pltd, $\frac{5}{16}$ -18NC-2 x 1 $\frac{1}{2}$	2	ea
H1				442825	NUT, self-locking, hex, "Huglock," S, cd or zn-pltd, $\frac{5}{16}$ -18UNC-2B, $\frac{1}{2}$ in wide, $\frac{21}{64}$ in thk	2	ea
H1	H101-0446363	044-6363		446363	WASHER, FLAT, heavy series, S, cd or zn-pltd, $\frac{5}{16}$ in, $\frac{3}{8}$ ID, $\frac{1}{8}$ OD, 0.083 thk	2	ea
	G503-7701328		WO-A4414	7701328	CUSHION, ru, 3 in lg, 1 $\frac{1}{2}$ in wide, $\frac{1}{8}$ in thk (No. 6 body hold-down, inner and outer)	4	ea
H1	H001-5419161	012-0229		120229	BOLT, MACHINE, hex-hd, S, cd or zn-pltd, $\frac{5}{16}$ -18NC-3 x $\frac{7}{8}$	4	ea
H1				442825	NUT, self-locking, hex, "Huglock," S, cd or zn-pltd, $\frac{5}{16}$ -18UNC-2B, $\frac{1}{2}$ in wide, $\frac{21}{64}$ in thk	4	ea
H1	H101-0446363	044-6363		446363	WASHER, FLAT, heavy series, S, cd or zn-pltd, $\frac{5}{16}$ in, $\frac{3}{8}$ ID, $\frac{1}{8}$ OD, 0.083 thk	8	ea
<b>1803.1 - TAILGATE</b>							
	G740-7697445	2510-769-7445	WO-673332	7697445	GATE, tail, assy (welded)	1	ea
H1	H101-0442827			442827	NUT, self-locking, hex, "Huglock," S, cd or zn-pltd, $\frac{3}{8}$ -16UNC-2B, $\frac{1}{2}$ in wide, $\frac{21}{64}$ in thk (tailgate to lock brkt)	2	ea
	G740-7697448	5305-769-7448	WO-673465	7697448	SCREW, lock washer and flat washer, hex-hd, header-pt, S, cd or zn-pltd, $\frac{3}{8}$ -16NC-2 x 1 $\frac{1}{4}$	2	ea
	G740-7697449	5310-769-7449	WO-672397	7697449	WASHER, sp, S, cd or zn-pltd, $\frac{3}{8}$ in (tailgate to body)	2	ea
	G740-7697592		WO-673621	7697592	HINGE, tailgate, body	2	ea
H1	H001-4167581	012-0377		120377	NUT, PLAIN, HEXAGON, lt, s-fin, S, cd or zn-pltd, $\frac{3}{8}$ -16NC-2	4	ea
	G740-7697446		WO-673501	7697446	SCREW, lock washer, hex-hd, S, cd or zn-pltd, $\frac{3}{8}$ -16NC-2 x 1	4	ea
			WO-663111		LOCK, half, tailgate, body half, left	1	ea
			WO-663112		LOCK, half, tailgate, body half, right	1	ea

(1) ILLUSTRATION NO.	(2) REFER- ENCE SYMBOLS	(3) ORDNANCE STOCK NO.	(4) FEDERAL STOCK NO.	(5) MFR'S PART NO.	(6) ORDNANCE PART NO.	(7) DESCRIPTION	(8) QUANTITY INCOR- PORATED IN UNIT	(9) UNIT OF ISSUE	
<b>GROUP 18—BODY—Continued</b>									
<b>1803.1—TAILGATE—Continued</b>									
18-2	H2	H002-7697591		WO-663194		LOCK, half, tailgate, gate half, left.....	1	ea	
				WO-663195		LOCK, half, tailgate, gate half, right.....	1	ea	
	H1	H001-4135661	012-0361		7697591	LOOP, footman, 1 in strap size.....	4	ea	
					120361	NUT, PLAIN, HEXAGON, S, cd or zn-pltd, No. 10 (0.190)-24NC-2 (footman loop to tail gate).....	8	ea	
	H1	H101-0123854	5305-012-3854		123854	SCREW, MACH, fil-hd, S, cd or zn-fin, No. 10 (0.190)- 24NC-2A x 1/2	8	ea	
	H1	H001-7025621	012-0217		120217	WASHER, lock, med, S, cd or zn-pltd, No. 10 (0.190), 0.194 ID	8	ea	
				G740-7697447	WO-663428	7697447	PIN, S, 3/16 in diam, 7 in lg (tailgate hinge).....	2	ea
	<b>1804.1—BODY PANELS, PILLARS, SILLS, AND MOULDING</b>								
					WO-673311	8673446	BODY, rear, assy (welded) (includes side PANELS, rear PANELS, wheelhouse PANELS, and rear FLOOR)	1	ea
					WO-A3179		BOLT, weld, 5/16-18NC x 5/8 (air cleaner bracket to dash)	3	ea
					WO-674429	8676971	BOLT, weld, No. 10 (0.190)-24NC x 1/2 (ignition filter to dash) (used on vehicles through serial No. 20599)	4	ea
					WO-673646		BRACKET, axe clamp.....	1	ea
				WO-674060		BRACKET, glove box to instrument panel (welded).....	1	ea	
				ONB-SN1610	8677317	NUT, weld, S, No. 10 (0.190)-24NC-2B (glove box bracket to instrument panel) (used on vehicles after serial No. 12041)	2	ea	
				WO-672725		BRACKET, hold down, fuel tank, outer.....	1	ea	
				WO-674658		BRACKET, mounting, radio receptacle connector.....	1	ea	
H1	G740-7697497 H001-0924139	010-4080		7697497	BRACKET, pivot, rear seat.....	2	ea		
				104080	RIVET, SOLID, b-hd, S, 1/4 x 3/8 (brkt to windshield panel (2); to windshield panel (2))	4	ea		
H1	G740-7375162 H001-4167541	012-0376		7375162	BRACKET, shovel.....	1	ea		
				120376	NUT, PLAIN, HEXAGON, lt, s-fin, S, cd or zn-pltd, 5/16-18NC-2	2	ea		
H1	H001-5091241	5305-013-3827		133827	SCREW, MACH, fil-hd, S, cd or zn-pltd, 5/16-18NC- 2 x 3/4	2	ea		
H1	H101-0446363	044-6363		446363	WASHER, FLAT, hv-series, 5/16 in, S, cd or zn-pltd, 3/8 ID, 1/8 OD, 0.083 thk	2	ea		
H1	H001-7025711	012-0214		120214	WASHER, LOCK, med, S, cd or zn-pltd, 5/16 in.....	2	ea		

			WO-673487		BRACKET, stop, left front seat (welded).....	1	ea
			WO-673412	7375168	CLAMP, axe, front.....	1	ea
H1	G740-7375168 H101-0124824	012-4824		124824	NUT, PLAIN, HEXAGON, lt, s-fin, S, cd or zn-pltd, 5/16-18NC-2	4	ea
H1	H001-7043711	012-0393		120393	WASHER, FLAT, lt, series, 5/16 in, S, cd or zn-pltd, 1 1/2 ID, 1 1/8 OD, 0.065 thk	2	ea
H1	H001-7025711	012-0214		120214	WASHER, LOCK, med, S, cd or zn-pltd, 5/16 in.....	2	ea
			WO-673647		CLAMP, axe, rear.....	1	ea
	G740-7375167		WO-673645	7375167	CLAMP, axe, rear, w/BRACKET, assy.....	1	ea
	G740-7375356		WO-673780	7375356	SCREW, lock washer, fl-hd, S, cd or zn-pltd, 1/4-20NC x 5/16 (axe clamp to body side)	2	ea
H2	H002-7697591		WO-673456	7697591	LOOP, footman, 1 in strap size (rear body panels (2), body side panels (10), and wheelhouse top panel (6))	18	ea
H1	H001-4135661	012-0361		120361	NUT, PLAIN, HEXAGON, S, cd or zn-pltd, No. 10 (0.190)-24NC-2	36	ea
H1	H101-0123854	5305-012-3854		123854	SCREW, MACH, fl-hd, S, cd or zn-pltd, No. 10 (0.190)-24NC-2 x 1/2	36	ea
H1	H001-7025621	012-0217		120217	WASHER, LOCK, med, S, cd or zn-pltd, No. 10, 0.194 ID	36	ea
			WO-669904	8673999	NUT, weld, S, 5/16-18NC (dash panel (2) and body side panel, left (4))	6	ea
			ONB-SN2113 WO-674350	8676969	NUT, weld, S, 1/4-20NC-2 (dash panel).....	8	ea
			WO-674267		NUT, weld, S, 1/4-20NC-2 (trailer receptacle).....	4	ea
			WO-673024		NUT, weld, S, No. 10 (0.190)-24NC-2 (dash panel (9), glove box brkt to inst panel (2)) (used on vehicles through serial No. 12041)	11	ea
			WO-673305		PANEL, body, left side (welded).....	1	ea
			WO-673309		PANEL, body, left side (welded) (includes side PANEL and rear PANEL)	1	ea
			WO-673307		PANEL, body, left side (welded) (includes side PANEL, rear PANEL, and wheelhouse PANEL)	1	ea
			WO-668415	8677026	PANEL, body, rear, center, assy (welded).....	1	ea
			WO-673335	8676999	PANEL, body, rear, left w/weld NUTS, assy.....	1	ea
			WO-673336	8673991	PANEL, body, rear, right, assy (welded).....	1	ea
			WO-673310		PANEL, body, right side (welded) (includes side PANEL and rear PANEL)	1	ea
			WO-673308		PANEL, body, right side (welded) (includes side PANEL rear PANEL, and wheelhouse PANEL)	1	ea
			WO-673459	8673491	PANEL, dash, assy.....	1	ea
				127638	NUT, clinch, sq-pilot, S, cd or zn-pltd, 5/16-24NF (dash panel)	3	ea
				127617	NUT, clinch, sq-pilot, S, cd or zn-pltd, No. 10 (0.190)- 24NC (dash panel)	1	ea
			WO-673833	8673448	PANEL, instrument, assy.....	1	ea

(1) ILLUSTRATION NO.	(2) REFERENCE SYMBOLS	(3) ORDNANCE STOCK NO.	(4) FEDERAL STOCK NO.	(5) MFR'S PART NO.	(6) ORDNANCE PART NO.	(7) DESCRIPTION	(8) QUANTITY INCORPORATED IN UNIT	(9) UNIT OF ISSUE
						<b>GROUP 18—BODY—Continued</b>		
						<b>1804.1—BODY PANELS, PILLARS, SILLS, AND MOULDING—Continued</b>		
		G503-7415717		WO-673367		PANEL, wheelhouse rear, left (welded) (includes inner and top PANELS)	1	ea
				WO-673368		PANEL, wheelhouse rear, right (welded) (includes inner PANEL, top PANEL, and front seat stop BRACKET)	1	ea
				WO-673409		PLATE, opening, fuel tank filler neck	1	ea
				WO-A2939		PLATE, tapping (axe clamp, rear)	1	ea
				WO-806673		PLUG, button, $\frac{3}{4}$ in (primer pump hole in dash panel) (used on vehicles after serial No. 47771)	1	ea
				WO-673414		SHEATH, axe (welded to right side panel)	1	ea
				WO-674392		SOCKET, side curtain, front rod (welded) (includes SOCKET, ROD, and weld NUTS)	2	ea
				WO-673469		STRAINER, body left side panel to wheelhouse	1	ea
				WO-A3029		SUPPORT, rear seat frame to wheelhouse	2	ea
							<b>1804.2—BODY COWL</b>	
		G740-7375398		WO-673956		BODY, front, sub-assy (cowl, complete)	1	ea
				WO-674267		NUT, weld, $\frac{1}{4}$ -20NC (cowl top panel)	2	ea
				WO-669904	8673999	NUT, weld, $\frac{5}{16}$ -18NC-2 (cowl side panel, right (1), cowl side panel reinforcement, right (1), and battery box support bracket to dash (2))	4	ea
				WO-673882		PANEL, cowl, assy (includes top, side, and instrument PANELS)	1	ea
				WO-662010		NUT, clinch, $\frac{5}{16}$ -18NC-2 (cowl side panel, left) (4 required on vehicles through serial No. 34151) (3 required on vehicles after serial No. 34151)	4	ea
				WO-673291		PANEL, cowl side, left	1	ea
				WO-673292		PANEL, cowl side, right	1	ea
				WO-673373		PANEL, cowl, top	1	ea
				WO-A2190		PLATE, tapping, hood hinge	1	ea
				AOD-99833-P130	7375398	RECEPTACLE, battery box cover stud to cowl (battery box lid attaching)	2	ea
	H1	H001-0936130	5320-011-1870	WO-673788		RIVET, TUBULAR, oval-hd, S, $\frac{1}{8}$ x $\frac{1}{8}$	4	ea
	H1	H001-4139781	012-0399	WO-673717	120399	REINFORCEMENT, cowl side panel to dash, right, assy	1	ea
		G740-7697548		WO-A3549	7697548	NUT, PLAIN, SQUARE, S, cd or zn-pltd, $\frac{5}{16}$ -18NC-2	2	ea
						RETAINER, fender, sq-nut, $\frac{5}{16}$ in (cowl side panel to dash reinforcement)	2	ea

					<b>1804.3—WINDSHIELD, VENTILATOR, AND GLASS</b>			
18-4	H1	G740-7375161	012-0376	WO-673395	7375161	BRACKET, mounting, rifle holder, end.....	1	ea
		H001-4167541				120376	NUT, PLAIN, HEXAGON, lt, s-fin, S, cd or zn-pltd, $\frac{5}{16}$ -18NC-2	2
18-4				WO-673606	8676961	SCREW, split lock washer, hex-hd, header-pt, S, cd or zn-pltd, $\frac{5}{16}$ -18NC-2 x $1\frac{3}{8}$	2	ea
18-4		G740-7375159		WO-673394	7375159	BRACKET, mounting, rifle holder, left.....	1	ea
18-4		G740-7375160	2510-737-5160	WO-673380	7375160	BRACKET, mounting, rifle holder, right.....	1	ea
		G740-7697440	5305-769-7440	WO-673597	7697440	BOLT, INTEGRAL, LOCK WASHER, hex-hd, header-pt, S, cd or zn-pltd, $\frac{5}{16}$ -18NC-2 x $\frac{3}{4}$ (superseded by BOLT, H101-0425388)	4	ea
18-4	H1	H101-0425388	042-5388		425388	BOLT, INTEGRAL, LOCK WASHER, hex-hd, header-pt, S, cd or zn-pltd, $\frac{5}{16}$ -18NC-2 x $\frac{5}{8}$ (supersedes BOLT, G740-7697440)	4	ea
18-4	H1	H001-4167541	012-0376		120376	NUT, PLAIN, HEXAGON, lt, s-fin, S, cd or zn-pltd, $\frac{5}{16}$ -18NC-2	4	ea
		G740-7375360		WO-673555	7375360	BRACKET, pivot, left, w/weld NUT, assy.....	1	ea
				WO-A2215		BLOCK, tapping (windshield pivot bracket) (superseded by NUT, WO-A8855)	2	ea
				WO-A8855		NUT, weld, S, $\frac{3}{8}$ -24NF-2 (windshield pivot bracket) (supersedes BLOCK, WO-A2215)	2	ea
	H1	G740-7375313	012-0376	WO-673556	7375313	BRACKET, pivot, right, w/weld NUT, assy (windshield)	1	ea
		H001-4167541				120376	NUT, PLAIN, HEXAGON, lt, s-fin, S, cd or zn-pltd, $\frac{5}{16}$ -18NC-2	4
		G740-7375315		WO-673996	7375315	SCREW, lock washer, hex-hd, S, cd or zn-pltd, $\frac{5}{16}$ -18NC-2 x 1 (superseded by SCREW, 431938)	4	ea
					431938	SCREW, lock washer, hex-hd, S, cd or zn-pltd, $\frac{5}{16}$ -18NC-2 x 1 (supersedes SCREW, G740-7375315)	4	ea
	H1	H001-7043711	012-0393		120393	WASHER, FLAT, lt, series, S, $\frac{5}{16}$ in, cd or zn-pltd, $\frac{11}{32}$ ID, $\frac{11}{16}$ OD, 0.065 thk	4	ea
	HI	H001-7025711	012-0214		120214	WASHER, LOCK, med, S, cd or zn-pltd, $\frac{5}{16}$ in.....	4	ea
		G740-7375317		WO-674393	7375317	BRACKET, support, side rail, top to windshield.....	2	ea
	H1	G740-7375312	5305-012-0697	WO-673553	7375312	CATCH, windshield clamp.....	2	ea
		H001-5090651				120697	SCREW, MACH, fl-hd, S, cd or zn-pltd, $\frac{1}{4}$ -20NC-2 x $\frac{3}{4}$ (to inst pnl)	4
18-4		G740-7375321		WO-674907	7375321	COVER, ventilating, windshield, assy.....	1	ea
		G740-7375318	2510-737-5318	WO-674876	7375318	DOOR, ventilating, windshield.....	1	ea
		G740-7375319	5305-737-5319	WO-675129	7375319	SCREW, int-teeth-lock washer, truss-hd, sltd, cd or zn-pltd, $\frac{1}{4}$ -20NC x $\frac{3}{4}$ (superseded by SCREW, H101-0423477)	4	ea
18-4	H1	H101-0423477			423477	SCREW, int-teeth-lock washer, truss-hd, sltd, cd or zn-pltd, $\frac{1}{4}$ -20NC x $\frac{3}{4}$ (supersedes SCREW, G740-7375319)	4	ea
18-4		G740-7375316		WO-674242	7375316	FILLER, glass weatherstrip (ru).....	1	ea



1804.3

(1)	(2)	(3)	(4)	(5)	(6)	(7)	(8)	(9)
ILLUSTRATION NO.	REFERENCE SYMBOLS	ORDNANCE STOCK NO.	FEDERAL STOCK NO.	MFR'S PART NO.	ORDNANCE PART NO.	DESCRIPTION	QUANTITY INCORPORATED IN UNIT	UNIT OF ISSUE
<b>GROUP 18—BODY—Continued</b>								
<b>1804.3—WINDSHIELD VENTILATOR, AND GLASS—Continued</b>								
18-3, 4		G740-7375311		WO-673286	7375311	FRAME, windshield, w/weld NUTS, assy.....	1	ea
18-3, 4				WO-670911		GLASS.....	1	ea
18-4		G740-7375361	2510-737-5361	WO-673552	7375361	LOCK, windshield, assy.....	2	ea
18-4				WO-673551		SCREW, int-teeth-lock washer, hex-hd, S, cd or zn-pltd, 1/4-20NC-2 x 1 3/8	4	ea
18-4	H1	H101-0145255	5305-014-5255		145255	SCREW, TAPPING, THREAD FORMING, oval-hd, S, cd or zn-pltd, No. 10 (0.190) x 1/2 in	2	ea
				WO-670953	8676953	LOOP, top spacer support.....	1	ea
	H1	H101-0585806		WO-675144	585806	NUT, weld, S, 1/4-20NC (windshield frame to ventilating cover)	4	ea
				WO-672616	7954266	PLATE, TAPPING (windshield clamp catch).....	2	ea
				WO-673554		PLATE, tapping (windshield pivot bracket).....	2	ea
		G740-7697540		WO-674217	7697540	RETAINER, left door curtain to cowl side panel.....	1	ea
		G740-7697542		WO-674089	7697542	RETAINER, left door curtain.....	1	ea
		G740-7697543		WO-674637	7697543	RETAINER, right door curtain.....	1	ea
		G740-7697541		WO-674218	7697541	RETAINER, right door curtain to cowl side panel.....	1	ea
	H1	H101-0423466	042-3466		423466	BOLT, integral lock washer, int-tooth type, rd-hd, sltd, S, cd or zn-fin, No. 12-24NC-2 x 1/2	4	ea
	H1	H001-4135701	012-1743		121743	NUT, PLAIN, HEXAGON, S, cd or zn-pltd, No. 12 (0.216)-24NC-2	4	ea
	H1	H001-7043681	012-0392		120392	WASHER, FLAT, S, cd or zn-pltd, 5/32 ID, 5/8 OD, 0.065 thk (right side only)	1	ea
		G740-7697544		WO-670935	7697544	RETAINER, top to windshield.....	1	ea
18-4		G740-7375397	2510-737-5397	WO-674234	7375397	WEATHERSEAL, windshield to cowl.....	1	ea
18-4	H1	H101-0145193	5305-014-5193		145193	SCREW, TAPPING, THREAD FORMING, pan-hd, blunt-pt, sh-met-thd, S, cd or zn-pltd, No. 10 (0.190) x 1/2 in	17	ea
18-4		G740-7375394		WO-674879	7375394	WEATHERSTRIP, windshield ventilator lid.....	1	ea
18-3, 4		G740-7375396		WO-674233	7375396	WEATHERSTRIP, glass.....	1	ea
18-1, 3		G740-7415847		WO-673287	7415847	WINDSHIELD, w/GLASS, complete, assy.....	1	ea
		G740-7375320		WO-668921	7375320	BOLT, pivot, hex-hd, S, cd or zn-pltd, 3/8-24NF-3, shoulder 5/8 OD, 2 1/4 lg	2	ea
		G740-7375362		WO-668922	7375362	WASHER, sp, flat, S, cd-pltd, 4 1/4 ID, 1 OD, 0.0598 thk	2	ea
		G503-7324848		WO-A2220	7324848	WASHER, S, 2 1/2 ID, 1 OD, 0.015 thk 3/32 crown.....	2	ea

298

					1805—BODY, FLOORS, AND SEALS		
	G740-7697527		WO-801058	7697527	BOOT, transfer gear shift lever (ru).....	1	ea
	G740-7697515	2520-769-7515	WO-647574	7697515	BOOT, gear shift lever.....	1	ea
H6	H006-0502911			502911	CLAMP, hose, S, cd or zn-pltd, 3/4 in (upper).....	1	ea
H6	H006-0502923			502923	CLAMP, hose, S, cd or zn-pltd, 2 1/2 in (lower) (super- seded by CLAMP, H106-0111627)	1	ea
H6	H106-0111627			111627	CLAMP, hose, type B, diam open 2 3/4, diam closed 2 15/32 x 5/8 wide, S, rustproof (lower) (supersedes CLAMP, H006-0502923)	1	ea
	G740-7697522	2510-769-7522	WO-674882	7697522	COVER, access, brake cylinder inspection.....	1	ea
H1	H101-0425380	042-5380		425380	BOLT, INTEGRAL LOCK WASHER, ext-tooth type, hex-hd, S, cd or zn-fin, header pt, 1/4-20NC-2 x 5/8	4	ea
	G740-7697578	2510-769-7578	WO-673474	7697578	COVER, access, transmission.....	1	ea
H1	H101-0425380	042-5380		425380	BOLT, INTEGRAL LOCK WASHER, ext-tooth type, hex-hd, S, cd or zn-fin, header-pt, 1/4-20NC-2 x 5/8	7	ea
	G740-7697520		WO-674364	7697520	COVER, drain hole, front floor pan.....	2	ea
	G740-7697525		WO-674910	7697525	COVER, front floor pan, lower (includes weld NUTS).....	1	ea
	G740-7697524	2510-769-7524	WO-674908	7697524	COVER, front floor pan, upper (includes weld NUTS) (for service use COVER, G758-8329733)	1	ea
H1	H101-0425380	042-5380		425380	BOLT, INTEGRAL LOCK WASHER, ext-tooth type hex-hd, S, cd or zn-fin, header-pt, 1/4-20NC-2 x 5/8	22	ea
			WO-674408	8677314	COVER, front floor pan drain hole, w/GASKET, assy.....	2	ea
	G740-7348565		WO-674410	7348565	SCREW, thumb, S, cd or zn-pltd, 1/4-20NC-2 x 5/8 (used on vehicles through serial No. 10177)	2	ea
	G740-7351314		ONB-ST2110 WO-675567	7351314	SCREW, thumb, br, 1/4-20NC-2 x 5/8 (cover to floor pan) (used on vehicles after serial No. 10177)	2	ea
	G758-8329733		WO-680509	8329733	COVER, front floor pan, upper (includes weld NUTS) (for service only)	1	ea
	G740-7697516		WO-673463	7697516	EXTENSION, floor, assy (tool compartment in floor).....	1	ea
	G740-7697521		WO-674365	7697521	GASKET, drain hole cover (ru) (front floor pan).....	2	ea
H1	H101-0136603	5320-013-6603		136603	RIVET, split, oval-hd, S, 1/8 x 1/4, 3/32 slot depth.....	4	ea
			WO-663492		HINGE, tool compartment lid, body half.....	†	ea
			WO-674939		NUT, spot weld, 5/16-24NF.....	1	ea
			WO-674350	8676969	NUT, spot weld, 1/4-20NC (lower cover plate (14), upper cover plate (2), steering column access cover plate (2), and front floor pan (23))	41	ea
	G740-7697529	2510-769-7529	WO-673446	7697529	PAN, front floor (welded) (includes weld NUTS).....	1	ea
H1	H101-0143562	5310-014-3562		143562	NUT, PLAIN, CLINCH, sq-pilot, S, cd or zn-pltd, 3/8-24NF-2	1	ea
			WO-674439		PAN, rear floor.....	1	ea
	G740-7697530		WO-673462	7697530	PAN, rear floor w/RISER (welded).....	1	ea
	G740-7697517		WO-673471	7697517	PANEL, front floor and dash (welded).....	1	ea
H1	H001-0924139	010-4080		104080	RIVET, SOLID, b-hd, S, 1/4 x 3/8.....	2	ea

(1) ILLUSTRATION NO.	(2) REFERENCE SYMBOLS	(3) ORDNANCE STOCK NO.	(4) FEDERAL STOCK NO.	(5) MFR'S PART NO.	(6) ORDNANCE PART NO.	(7) DESCRIPTION	(8) QUANTITY INCORPORATED IN UNIT	(9) UNIT OF ISSUE
<b>GROUP 18—BODY—Continued</b>								
<b>1805—BODY, FLOORS, AND SEALS—Continued</b>								
	H1	G740-7697523 H101-0425380	2540-769-7523 042-5380	WO-674884	7697523 425380	PLATE, access, engine heater cutout	1	ea
	H1	G740-7375158 H001-6211371	5305-014-4811	WO-673483	7375158 144811	BOLT, INTEGRAL LOCK WASHER, ext-tooth type, hex-hd, S, cd or zn-fin, header-pt, 1/4-20NC-2 x 5/8 PLATE, access, power-take-off shift	6 1	ea ea
	H1	H101-0161895	5305-016-1895		144811	SCREW, tapping pan-hd, gimlet-pt, sh-met-thd, S, cd or zn-pltd, No. 10 (0.190) x 1/2 (superseded by SCREW, H101-0161895)	4	ea
	H1	G740-7697526 H101-0425380	2530-769-7526 042-5380	WO-674919	7697526 425380	SCREW, tapping, cross-recess pan-hd, gimlet-pt, S, cd or zn-pltd, No. 10 (0.191) x 1/2 (supersedes SCREW, 144811)	4	ea
	H1	G740-7697519 H101-0425380	2520-769-7519 042-5380	WO-674316	7697519 425380	PLATE, access, steering column	1	ea
	H1	G740-7375170 G740-7418148	2510-741-8148	WO-674953 WO-677712	7375170 7418148	BOLT, INTEGRAL LOCK WASHER, ext-tooth type, hex-hd, S, cd or zn-fin, header-pt, 1/4-20NC-2 x 5/8	2	ea
	H1	H101-0420505	042-0505		420505	PLATE, access, transfer case bolt	1	ea
	H1	G740-7697582 G740-7418147		WO-674428 WO-677277	7697582 7418147	BOLT, INTEGRAL LOCK WASHER, ext-tooth type, hex-hd, S, cd or zn-fin, header-pt, 1/4-20NC-2 x 5/8	2	ea
	H1	H101-0161857	5305-016-1857		161857	PLATE, catch, tool compartment lid	1	ea
	H1	G740-7375157		WO-801849 WO-673605	7375157	PLATE, dash panel cable opening (used on vehicles after serial No. 35387)	1	ea
	H1	G740-7697579 H101-0425380	2510-769-7579 042-5380	WO-673481	7697579 425380	PLATE, dash panel cable opening (used on vehicles through serial No. 35387)	1	ea
	H1	G740-7697518		WO-674268	7697518	PLATE, dash panel openings (auxiliary power receptacle hole) (used on vehicles after serial No. 47771)	1	ea
						SCREW, tapping, pan-hd, gimlet-pt, sh-met-thd, S, cd or zn-pltd, No. 8 (0.164) x 3/8 in	2	ea
						PLATE, grommet retainer, power-take-off shift rod	1	ea
						PLATE, tapping, decontaminating apparatus bracket	3	ea
						PLATE, toe board	2	ea
						BOLT, INTEGRAL LOCK WASHER, int-tooth type, hex-hd, S, cd or zn-fin, header-pt 1/4-20NC-2 x 5/8	4	ea
						PLUG, cowl pillar to front floor pan (ru)	2	ea

	G740-7697581		WO-674230	7697581	PLUG, drain, front floor pan (ru).....	1	ea
	G740-7697548		WO-A3549	7697548	RETAINER, sq-nut, $\frac{5}{16}$ in (riser front to rear floor (2) and front floor pan (2))	4	ea
H1	H001-4139781	012-0399		120399	NUT, PLAIN, HEXAGON, sq, S, cd or zn-pltd, $\frac{5}{16}$ -18NC-2	4	ea
	G740-7697577		WO-801568	7697577	RING, gear shift lever housing cover.....	1	ea
H1	H001-6211371	5305-014-4811		144811	SCREW, tapping, pan-hd, gimlet-pt, sh-met-thd, S, cd or zn-pltd, No. 10 (0.190)-12 x $\frac{1}{2}$ (superseded by SCREW, H101-0161895)	4	ea
H1	H101-0161895	5305-016-1895		161895	SCREW, tapping, cross-recess-pan-hd, gimlet-pt, sh-met-thd, S, cd or zn-pltd, No. 10 (0.190)-12 x $\frac{1}{2}$ (supersedes SCREW, 144811)	4	ea
	G740-7375353		WO-670926	7375353	RING, tool compartment lid, w/ring RETAINER.....	1	ea
H1	H001-0924028	010-4052		104052	RIVET, SOLID, b-hd, S, $\frac{1}{8}$ x $\frac{3}{8}$ .....	2	ea
	G740-7697528		WO-673461	7697528	RISER, front to rear floor.....	1	ea
H1	H101-0221154	5305-022-1154		221154	SCREW, tapping, pan-hd, gimlet-pt, sh-met-thd, S, cd or zn-pltd, No. 14 (0.242) x $\frac{1}{2}$ (plug for radio cable clip hole in floor pan) (superseded by SCREW, 162050)	2	ea
				162050	SCREW, tapping, cross-recess-pan-hd, gimlet-pt, sh-met-thd, S, cd or zn-pltd, No. 14 (0.242) x $\frac{1}{2}$ (supersedes SCREW, H101-0221154)	2	ea
	G740-7348657		WO-94096	7348657	SEAL, strip type, $\frac{3}{16}$ in diam bead x 80 ft lg (used w/PLATES, G740-7395158, G740-7697523, and G740-7697526 and COVERS, G740-7697422, and G740-7697578)	‡	ft
<b>1806—SEATS, CRASH PADS, TRIM, AND UPHOLSTERY</b>							
	G740-7697498	2510-769-7498	WO-673338	7697498	BRACKET, retn rear seat.....	2	ea
H1	H101-0425381	042-5381		425381	BOLT, INTEGRAL LOCK WASHER, ext-tooth type, hex-hd, S, cd or zn-fin, header-pt, $\frac{1}{4}$ -20NC-2 x $\frac{3}{4}$	4	ea
H1	H001-4167501	012-0375		120375	NUT, PLAIN, HEXAGON, s-fin, S, cd or zn-pltd, $\frac{1}{4}$ -20NC-2	4	ea
			WO-673775		CHAIN, retaining (seat hinge pivot).....	1	ea
	G740-7375007		WO-674418	7375007	CHAIN, retn, seat hinge pivot, w/RING and PIN, assy	2	ea
			WO-673775		Composed of:		
				8676970	1 CHAIN		
					1 PIN		
					2 RING		
H2	H002-7697531		WO-673774	7697531	CLIP, cushion spring.....	‡	ea
	G740-7375008		WO-605688	7375008	CUSHION, front seat, assy (driver's and passenger seat).....	2	ea
H1	H101-0455305		WO-672000	455305	BOLT, MACHINE, w/lock washer, hex-hd, header-pt, S, cd or zn-pltd, $\frac{5}{16}$ -24NF-2 x $\frac{5}{8}$	4	ea
			WO-673528				

(1) ILLUSTRATION NO.	(2) REFER- ENCE SYMBOLS	(3) ORDNANCE STOCK NO.	(4) FEDERAL STOCK NO.	(5) MFR'S PART NO.	(6) ORDNANCE PART NO.	(7) DESCRIPTION	(8) QUANTITY INCOR- PORATED IN UNIT	(9) UNIT OF ISSUE
<b>GROUP 18—BODY—Continued</b>								
<b>1806—SEATS, CRASH PADS, TRIM, AND UPHOLSTERY—Continued</b>								
		G740-7697499		WO-673586	7697499	CUSHION, rear seat, assy	1	ea
		G740-7697500	2540-769-7500	WO-673536	7697500	FRAME, driver's seat, assy	1	ea
	H1	H101-9409098			9409098	BOLT, MACHINE, header-pt, hex-hd, w/spring lock washer, S, cd or zn-pltd, $\frac{5}{16}$ -18UNC-2A x $\frac{7}{8}$	1	ea
	H1	H101-0143620	5310-014-3620		143620	NUT, PLAIN, plate nut tee, slabbed pl base, plain fin, $\frac{5}{16}$ -24NF-2	1	ea
		G740-7697440	5305-769-7440	WO-673597	7697440	BOLT, INTEGRAL LOCK WASHER, int-teeth-lock washer, hex-hd, S, cd or zn-pltd, $\frac{5}{16}$ -18NC-2 x $\frac{3}{4}$ (superseded by SCREW, H101-0425388)	2	ea
	H1	H101-0425388	042-5388		425388	BOLT, INTEGRAL LOCK WASHER, int-teeth lock washer, hex-hd, S, cd or zn-pltd, $\frac{5}{16}$ -18NC-2 x $\frac{5}{8}$ (supersedes SCREW, G740-7697440)	2	ea
		G740-7697532	5305-769-7532	WO-673537	7697532	SCREW, int-teeth-lock washer, hex-hd, S, cd or zn-pltd, $\frac{5}{16}$ -24NF-2 x $1\frac{7}{8}$	1	ea
		G740-7697505		WO-673511	7697505	FRAME, front passenger seat, assy	1	ea
		G740-7697502		WO-673408	8673489	FRAME, rear seat, assy	1	ea
	H1	H001-0924288	010-4111	WO-673387	7697502	FRAME, rear seat back	1	ea
		G740-7697501		WO-673371	7697501	RIVET, SOLID, b-hd, S, $\frac{3}{8}$ x $\frac{3}{4}$	2	ea
		G740-7697503		WO-675142		FRAME, rear seat bottom half	1	ea
		G740-7697504		WO-673533	7697503	LEG, driver's seat front (welded to frame)	1	ea
		G740-7697504		WO-673533	7697503	LEG, driver's seat rear (welded to frame)	1	ea
		G740-7697504		WO-670371	7697504	LEG, front passenger seat (used on vehicles through serial No. 58361)	1	ea
		G758-8328488		WO-681189	8328488	LEG, front passenger seat (used on vehicles after serial No. 58361)	1	ea
				WO-A12085		NUT, weld, S, $\frac{5}{16}$ -24NF-2 (driver's seat pan (2) and passenger seat pan (2)) (optional w/NUT, WO-671291) (superseded by NUT, WO-682638)	4	ea
				WO-671291		NUT, weld, S, $\frac{5}{16}$ -24NF (driver's seat pan (2) and passenger seat pan (2)) (optional w/NUT, WO-A12085)	4	ea
				WO-682638		NUT, weld, S, $\frac{5}{16}$ -24NF-2 (driver's seat pan (2) and passenger seat pan (2)) (supersedes NUT, WO-A12085)	4	ea
				WO-673557		PAN, driver's seat and front passenger seat (welded) (includes weld NUTS and CLIPS)	2	ea

	G740-7375009		WO-663472	7375009	PIN, pivot, front passenger seat (used on vehicles through serial No. 58361) (superseded by PIN, G740-7376905)	2	ea
	G740-7376905		WO-677836	7376905	PIN, pivot, front passenger seat (used on vehicles after serial No. 58361) (supersedes PIN, G740-7375009)	2	ea
			WO-674427	8676970	PIN, retaining, chain	1	ea
	G740-7697506		WO-673561	7697506	PIVOT, seat left hinge	1	ea
	G740-7697508		WO-674425	7697508	PIVOT, seat left hinge, w/CHAIN, assy	1	ea
	G740-7697507		WO-673562	7697507	PIVOT, seat right hinge	1	ea
H1	G740-7372670	2520-737-2670	WO-674426	7372670	PIVOT, seat right hinge, w/CHAIN, assy	1	ea
	H101-9409098			9409098	BOLT, MACHINE, header-pt, hex-hd, w/spring lock washer, S, cd or zn-pltd, $\frac{5}{16}$ -18UNC-2A x $\frac{7}{8}$	2	ea
H1	H001-4167541	012-0376		120376	NUT, PLAIN, HEXAGON, lt, s-fin, S, cd or zn-pltd, $\frac{5}{16}$ -18NC-2	2	ea
H1	H101-0446548			446548	WASHER, flat, plain, med series, S, cd or zn-pltd, $\frac{3}{8}$ ID, $\frac{3}{4}$ OD, 0.065 thk (superseded by WASHER, 120393)	2	ea
H1	H001-7043711	5310-012-0393		120393	WASHER, FLAT, S, cd or zn-pltd, $\frac{11}{32}$ ID, $\frac{11}{16}$ OD, 0.065 thk (supersedes WASHER, H101-0446548)	2	ea
			UC-51210 WO-675137		PLUG, button, S, $\frac{7}{8}$ in diam hole size (driver's seat frame)	1	ea
H1	G740-7697509	2510-769-7509	WO-673593	7697509	RETAINER, rear seat frame spring	2	ea
	H101-0425381	042-5381		425381	BOLT, INTEGRAL LOCK WASHER, int-tooth type, hex-hd, S, cd or zn-fin, header pt, $\frac{1}{4}$ -20NC-2 x $\frac{3}{4}$	4	ea
H1	H001-4167501	012-0375		120375	NUT, PLAIN, HEXAGON, lt, s-fin, S, cd or zn-pltd, $\frac{1}{4}$ -20NC-2	4	ea
H1	G740-7697510	2510-769-7510	WO-673577	7697510	RETAINER, rear seat pivot tube	2	ea
	H101-0425381	042-5381		425381	BOLT, INTEGRAL LOCK WASHER, ext-tooth type, hex-hd, S, cd or zn-fin, header-pt, $\frac{1}{4}$ -20NC-2 x $\frac{3}{4}$	2	ea
H1	H001-4167501	012-0375		120375	NUT, PLAIN, HEXAGON, lt, s-fin, S, cd or zn-pltd, $\frac{1}{4}$ -20NC-2	2	ea
H1	H001-7045531	5310-012-0386		120386	WASHER, FLAT, S, cd or zn-pltd, $\frac{15}{16}$ ID, $\frac{3}{4}$ OD, 0.065 thk	2	ea
			WO-673774		RING, retn chain, (seat hinge pivot)	2	ea
	G740-7697533		WO-673578	7697533	SEAT, driver's, assy (complete with trim)	1	ea
	G740-7697534		WO-673579	7697534	SEAT, front passenger, assy (complete with trim)	1	ea
	G740-7697535		WO-673580	7697535	SEAT, rear, assy (complete with trim)	1	ea
	G740-7697536		WO-671960	7697536	SPRING, driver's and front passenger seat cushion, assy	2	ea
	G740-7697537		WO-671961	7697537	SPRING, driver's and front passenger seat back, assy	2	ea
	G740-7697538		WO-673497	7697538	SPRING, rear seat back, assy	1	ea
	G740-7697539		WO-673498	7697539	SPRING, rear seat cushion, assy	1	ea
			WO-672012		TRIM, front seat back, assy (driver and passenger seat)	2	ea
H1	H101-0111687	5305-011-1687		111687	SCREW, tapping, oval-hd, gimlet-pt, sh-met-thd, S, cd or zn-pltd, No. 10 (0.190) x $\frac{1}{2}$ in	24	ea
H1	H101-0140241	014-0241		140241	WASHER, FINISHING, S, cd or zn-pltd, No. 10	24	ea

1806

(1) ILLUSTRATION NO.	(2) REFER- ENCE SYMBOLS	(3) ORDNANCE STOCK NO.	(4) FEDERAL STOCK NO.	(5) MFR'S PART NO.	(6) ORDNANCE PART NO.	(7) DESCRIPTION	(8) QUANTITY INCOR- PORATED IN UNIT	(9) UNIT OF ISSUE
<b>GROUP 18—BODY—Continued</b>								
<b>1806—SEATS, CRASH PADS, TRIM, AND UPHOLSTERY—Continued</b>								
				WO-672016		TRIM, front seat cushion, assy (driver and passenger seat)	2	ea
				WO-673581		TRIM, rear seat back, assy	1	ea
	H1	H101-0111687	5305-011-1687		111687	SCREW, tapping, oval-hd, gimlet-pt, sh-met-thd, S, cd or zn-pltd, No. 10 (0.190) x 1/2	10	ea
	H1	H101-0140241	014-0241		140241	WASHER, FINISHING, S, cd or zn-pltd, No. 10	10	ea
	H1	H101-0111687	5305-011-1687	WO-673587		TRIM, rear seat cushion, assy	1	ea
	H1	H101-0111687	5305-011-1687		111687	SCREW, tapping, oval-hd, gimlet-pt, sh-met-thd, S, cd or zn-pltd, No. 10 (0.190) x 1/2	10	ea
	H1	H101-0140241	014-0241		140241	WASHER, finishing, S, cd or zn-pltd, No. 10	10	ea
	H1	H001-7043741	012-0394		120394	WASHER, FLAT, lt series, S, cd or zn-pltd, 1 3/32 ID, 1 3/16 OD, 0.065 thk (used as hinge bearing for rear seat)	2	ea
<b>1808—STOWAGE RACKS, BOXES, AND STRAPS</b>								
				WO-674086		BODY, spare gas can bracket	1	ea
				WO-673789		BOLT, "J", first aid kit support (used on vehicles through serial No. 59392)	1	ea
	H1	H101-0126177	012-6177		126177	NUT, plain wing, lt, S, cd or zn-pltd, 1/4-20NC-2	1	ea
		G740-7372677		WO-673800	7372677	BOLT, "J," first aid kit support, w/wing NUT, 1/4-20NC-3 x 3 5/8 (end staked with nut assembled) (used on vehicles through serial No. 59392)	1	ea
				ONB-SK3851C		BOSS, weld, flanged (tool box lid)	1	ea
				WO-675071				
18-2		G740-7375163		WO-673457	7375163	BRACKET, spare gasoline can	1	ea
	H1	H001-4167581	012-0377		120377	NUT, PLAIN, HEXAGON, lt, s-fin, S, cd or zn-pltd, 3/8-16NC-2	4	ea
				WO-673440		SCREW, lock washer, hex-hd, S, cd or zn-pltd, 3/8-16NC-2 x 1 3/8	4	ea
				WO-673776		BRACKET, top bow stowage	2	ea
				WO-674123		BRACKET, top bow stowage, rear	2	ea
		G740-7375165	2510-737-5165	WO-674300	7375165	BRACKET, top bow stowage, rear, w/weld NUTS (welded)	2	ea
	H1	H101-0425380	042-5380		425380	BOLT, INTEGRAL LOCK WASHER, int-tooth type, hex-hd, header-pt, S, cd or zn-fin, 1/4-20NC-2 x 5/8	6	ea

304

	G740-7375164 G740-7697438	2510-737-5164 5305-769-7438	WO-673765 WO-673439	7375164 7697438	BRACKET, top bow stowage, w/weld NUTS (welded)...	2	ea
					SCREW, lock washer, hex-hd, header-pt, S, cd or zn-pltd, 3/8-16NC-2 x 3/4 (superseded by SCREW, H101-0451976)	4	ea
H1	H101-0451976			451976	SCREW, MACHINE, hex-hd, w/spring lock washer, S, cd or zn-pltd, 3/8-16UNC-2A x 3/4 (supersedes SCREW, G740-7697438)	4	ea
			N&J-1055 WO-A2601	8344009	BUCKLE, strap (windshield holddown strap (1), axe strap (1), shovel strap rear (1), top bow stowage strap (2), wheel house stowage strap (4), and top holddown strap (12))	21	ea
			WO-674080		BUCKLE, strap, spare gas can	1	ea
H1	H101-0113338	5320-011-3338		113338	RIVET, TUBULAR, oval-hd, brass, 9/64 x 1 1/32, 15/64 hd diam	4	ea
			WO-53057 WO-674957	7375169	WASHER, plain, br, 1/32 ID, 1/16 OD, 0.040 thk	4	ea
	G740-7375169		PRQ-170-1 WO-673790	8676966	CATCH, tool box lid	1	ea
H1	H001-6211371	5305-014-4811		144811	CLIP, open, cd or zn-pltd, 1/4 in (used on vehicles through serial No. 59392)	1	ea
					SCREW, TAPPING, THREAD FORMING, pan-hd, S, cd or zn-fin, No. 10 (0.190)-12 x 1/2 (superseded by SCREW, H101-0161895)	1	ea
H1	H101-0161895	5305-016-1895		161895	SCREW, TAPPING, THREAD FORMING, pan-hd, S, cd or zn-fin, No. 10-(0.190)-12 x 1/2 (supersedes SCREW, 144811)	1	ea
			WO-673808	8673984	DOOR, glove box, complete assy	1	ea
H1	G740-7375314 H101-0420505	2510-737-5314 042-0505	WO-673806	7375314 420505	DOOR, w/HINGE, glove box	1	ea
					BOLT, INTEGRAL LOCK WASHER, int-tooth type, rd-hd, sltd, header-pt, S, cd or zn-fin, No. 10-24NC-2 x 1/16	2	ea
H1	H001-4135661	012-0361		120361	NUT, PLAIN, HEXAGON, S, cd or zn-pltd, No. 10-(0.190)-24NC-2	2	ea
	G740-7375352	2510-737-5352	WO-673783	7375352	HINGE, attaching, first aid kit, assy (used on vehicles through serial No. 59392)	1	ea
H1	H001-6211371	5305-014-4811		144811	SCREW, TAPPING, THREAD FORMING, pan-hd, S, cd or zn-fin, No. 10 (0.190)-12 x 1/2 (superseded by SCREW, H101-0161895)	2	ea
H1	H101-0161895	5305-016-1895		161895	SCREW, TAPPING, THREAD FORMING, pan-hd, S, cd or zn-fin, No. 10-(0.190)-12 x 1/2 (supersedes SCREW, 144811)	2	ea
			WO-673784		HINGE, locking half, first aid kit (used on vehicles through serial No. 59392)	1	ea
			WO-673785		HINGE, body half, first aid kit (used on vehicles through serial No. 59392)	1	ea
	G740-7375350		WO-674959 WO-674967	7375350 8673345	LID, tool compartment, assy (complete)	1	ea
	G740-7375399		WO-673708	7375399	LID, tool compartment, w/HINGE (welded)	1	ea
					LOCK, glove box door, assy	1	ea



(1) ILLUSTRATION NO.	(2) REFER- ENCE SYMBOLS	(3) ORDNANCE STOCK NO.	(4) FEDERAL STOCK NO.	(5) MFR'S PART NO.	(6) ORDNANCE PART NO.	(7) DESCRIPTION	(8) QUANTITY INCOR- PORATED IN UNIT	(9) UNIT OF ISSUE
<b>GROUP 18—BODY—Continued</b>								
<b>1808—STOWAGE RACKS, BOXES, AND STRAPS</b>								
<b>—Continued</b>								
	H2	H002-7697591			7697591	LOOP, footman, 1 in strap size (shovel strap (2), shovel strap, rear (1), and axe strap (1))	4	ea
	H1	H001-4135661	012-0361		120361	NUT, PLAIN, HEXAGON, S, cd or zn-pltd, No. 10 (0.190)-24NC-2	8	ea
	H1	H101-0123854	5305-012-3854		123854	SCREW, MACHINE, fl-hd, S, cd or zn-fin, No. 10 (0.190)-24NC-2 x 1/2	8	ea
	H1	H001-7025621	5310-012-0217		120217	WASHER, lock, med, S, cd or zn-pltd, No. 10 (0.190)...	8	ea
				WO-674898	8677317	NUT, SPOT WELD, No. 10 (0.190)-24NC (glove box side panel) (used on vehicles after serial No. 12041)	2	ea
				WO-674267		NUT, weld, S, 1/4-20NC (top bow stowage bracket, rear)...	6	ea
				WO-673782		NUT, weld, S, 3/8-16NC (top bow stowage bracket).....	6	ea
				WO-673024		NUT, weld, S, No. 10 (0.190)-24NC-2 (glove box side panel) (used on vehicles through serial No. 12041)	2	ea
				WO-673542	8673987	PANEL, glove box bottom, assy (instrument panel).....	1	ea
	H1	H101-0420505	042-0505		420505	BOLT, INTEGRAL LOCK WASHER, int-tooth type, rd-hd, sltd, S, cd or zn-fin, header-pt, No. 10-24NC-2 x 7/16	8	ea
				WO-674223	8673983	PANEL, glove box side (welded) (includes NUTS).....	1	ea
		G740-7375166			7375166	PIN, hinge (tool compartment lid (1) and first aid kit (1), used on vehicles through serial No. 59392)	2	ea
				WO-806673		PLUG, button, 3/8 in (holes in tool compartment) (used on vehicles after serial No. 47771)	2	ea
		G740-7375358			7375358	RETAINER, glove box door lock.....	1	ea
	H1	H101-0131885	5305-013-1885		131885	SCREW, mach, fil-hd, S, cd or zn-pltd, No. 6 (0.138)-32NC-2 x 5/16	1	ea
		G740-7375351	2540-737-5351	WO-674956	7375351	RING, tool box lid (for service use RING, WO-684845) (superseded by RING, G740-7375353)	1	ea
		G740-7375353	2540-737-5353		7375353	RING, tool box lid (supersedes RING, G740-7375351)....	1	ea
	H1	H101-0119117	011-9117		119117	PIN, COTTER, split, S, pltd, 3/32 x 1/2	1	ea
	H1	H001-7043711	5310-012-0393		120393	WASHER, flat, S, cd or zn-pltd, 5/16 in, 11/32 ID, 11/16 OD, 0.065 thk	1	ea
		G758-8329984		WO-674993	8329984	WASHER, spring, S, cd or zn-pltd, 5/16 in, 21/64 ID, 5/8 OD, 0.015 thk	1	ea
				WO-684845		RING, tool box lid (for service only).....	1	ea

	G740-7372894		WO-673697	7372894	SEAL, glove box door.....	1	ea
	G740-7375354		WO-673472	7375354	SPACER, spare gasoline can bracket.....	4	ea
			WO-672698		STRAP, (top bow stowage (2) and windshield hold-down (1))	3	ea
	G740-7375395		WO-672697	7375395	STRAP, assy (top bow stowage (2) and windshield hold-down (1))	3	ea
			WO-A2601		Composed of:		
			WO-672698		1 BUCKLE		
			WO-A2602		1 STRAP		
			WO-672698		1 TIP		
			WO-A3140		STRAP, webbing, approx 20 in dev lgth (top bow stowage (2) and windshield hold down (1))	3	ea
	G740-7347500		WO-673767	7347500	STRAP, axe.....	1	ea
			WO-A3140	8344009	STRAP assy, axe w/BUCKLE	1	ea
			WO-A2602		Composed of:		
			WO-671968		1 BUCKLE		
	G740-7697594		WO-671979	7697594	STRAP, holddown, top, assy.....	12	ea
			WO-A2602		Composed of:		
			WO-671979	8344009	1 BUCKLE		
			WO-A3138		1 STRAP		
			WO-673768		1 TIP		
			WO-A3138		STRAP, holddown, top 1 in webbing, approx 21½ in dev lgh	12	ea
			WO-A2602		STRAP, shovel front.....	1	ea
			WO-A3136	8676963	STRAP, shovel front, assy.....	1	ea
			WO-673766		Composed of:		
	G740-7347502		WO-A3138		1 STRAP		
			WO-A2602		1 TIP		
			WO-A3136		STRAP, shovel rear.....	1	ea
			WO-673766	7347502	STRAP, shovel rear, assy.....	1	ea
			WO-A3136		Composed of:		
			WO-674078	8344009	1 BUCKLE		
			WO-674081	7697591	1 LOOP		
			WO-A4127		1 STRAP		
	G503-7698489		WO-674080		STRAP, spare gas can.....	1	ea
			WO-674081		STRAP, spare gas can, 1½ in webbing, 31 in long.....	1	ea
			WO-674080	7698489	STRAP, spare gas can, w/BUCKLE, assy.....	1	ea
			WO-674081		Composed of:		
			WO-53057		1 BUCKLE		
	H1	H101-0113338	5320-011-3338	113338	1 STRAP		
					RIVET, TUBULAR, oval-hd, br, ¼ x 1½, 1¼ hd diam.....	4	ea
					WASHER, plain, br, 1/32 ID, 1/16 OD, 0.040 thk.....	4	ea

(1) ILLUSTRATION NO.	(2) REFERENCE SYMBOLS	(3) ORDNANCE STOCK NO.	(4) FEDERAL STOCK NO.	(5) MFR'S PART NO.	(6) ORDNANCE PART NO.	(7) DESCRIPTION	(8) QUANTITY INCORPORATED IN UNIT	(9) UNIT OF ISSUE
<b>GROUP 18—BODY—Continued</b>								
<b>1808—STOWAGE RACKS, BOXES, AND STRAPS</b>								
<b>—Continued</b>								
		G503-7698490		WO-A4128	7698490	STRAP, spare gas can, w/end TIP, assy..... Composed of: 1 STRAP 1 TIP	1	ea
				WO-674078				
				WO-674079				
				WO-675000		STRAP, stove pipe flap (used on vehicles through serial No. 15956)	1	ea
				WO-675002		STRAP, stove pipe flap (used on vehicles through serial No. 15956)	1	ea
				WO-674999	8677319	STRAP, stove pipe flap, w/BUCKLE, assy (used on vehicles through serial No. 15956) Composed of: 1 BUCKLE 1 STRAP	1	ea
				WO-A2601				
				WO-675000				
				WO-675001	8677320	STRAP, stove pipe flap, w/end TIP, assy (used on vehicles through serial No. 15956)	1	ea
H3		H003-7347501		WO-675205	7347501	STRAP, top stowage, w/BUCKLE 1 x 49 in long, assy (wheelhouse) Composed of: 1 BUCKLE 1 STRAP 1 TIP	4	ea
				WO-675206	8344009			
				WO-A2602				
				WO-675206		STRAP, top stowage, approx 49 in dev length, 1 in webbing	4	ea
		G740-7375359	2510-737-5359	WO-673706	7375359	STRIKER, glove box door.....	1	ea
H1		H101-0420505	042-0505		420505	BOLT, INTEGRAL LOCK WASHER, int-tooth type, rd-hd, sltd, S, cd or zn-fin, header-pt, No. 10 (0.190)-24NC-2 x 1/16	1	ea
				WO-A2602		TIP, strap end (windshield holddown strap (1); axe strap (1); shovel strap front (1); top bow stowage strap (2); wheelhouse stowage strap (4) and top holddown strap (12))	21	ea
				WO-674079		TIP, strap end, spare gas can.....	1	ea
		G740-7375355		WO-674232	7375355	WEATHERSTRIP, tool compartment lid (ru).....	1	ea

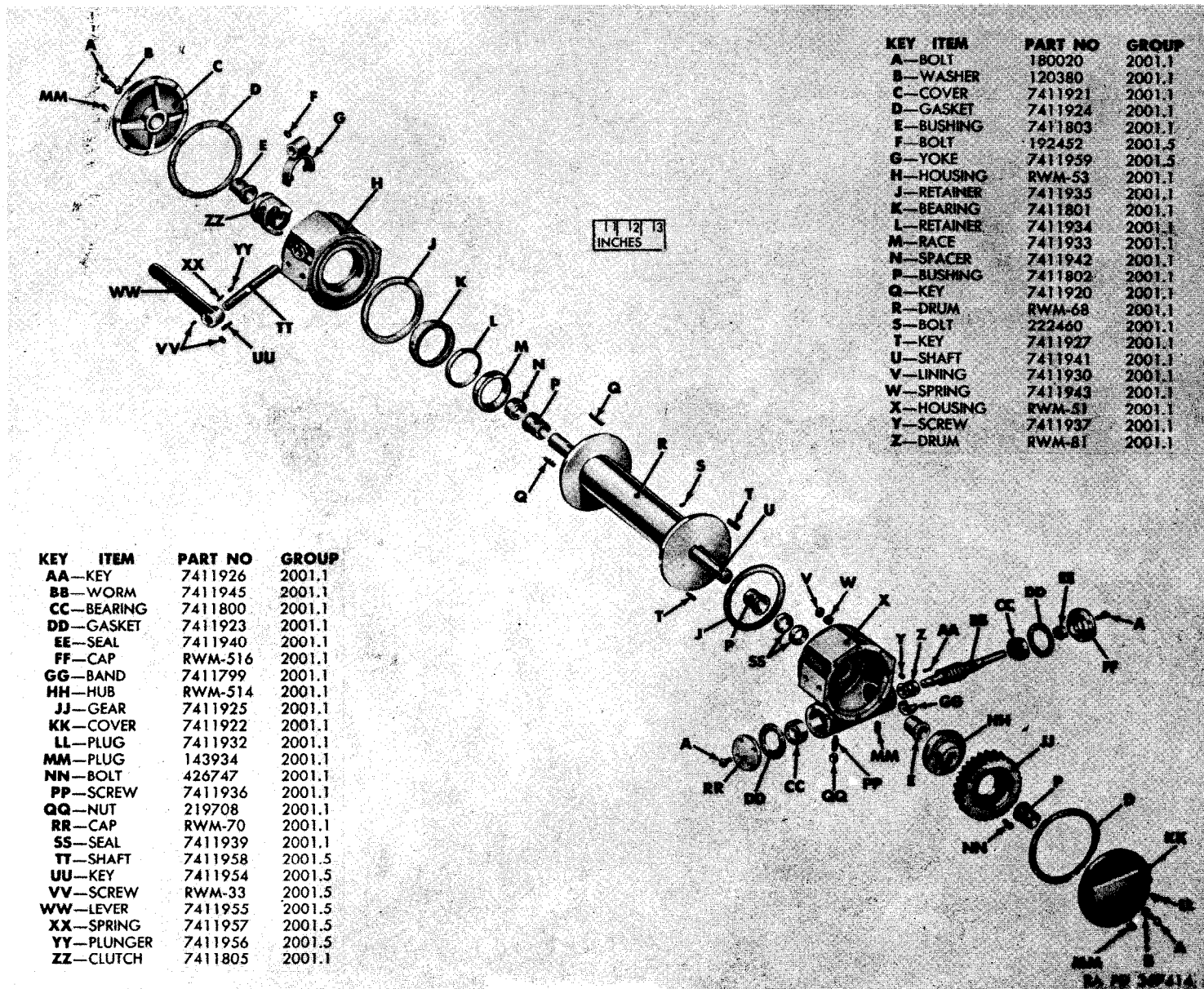
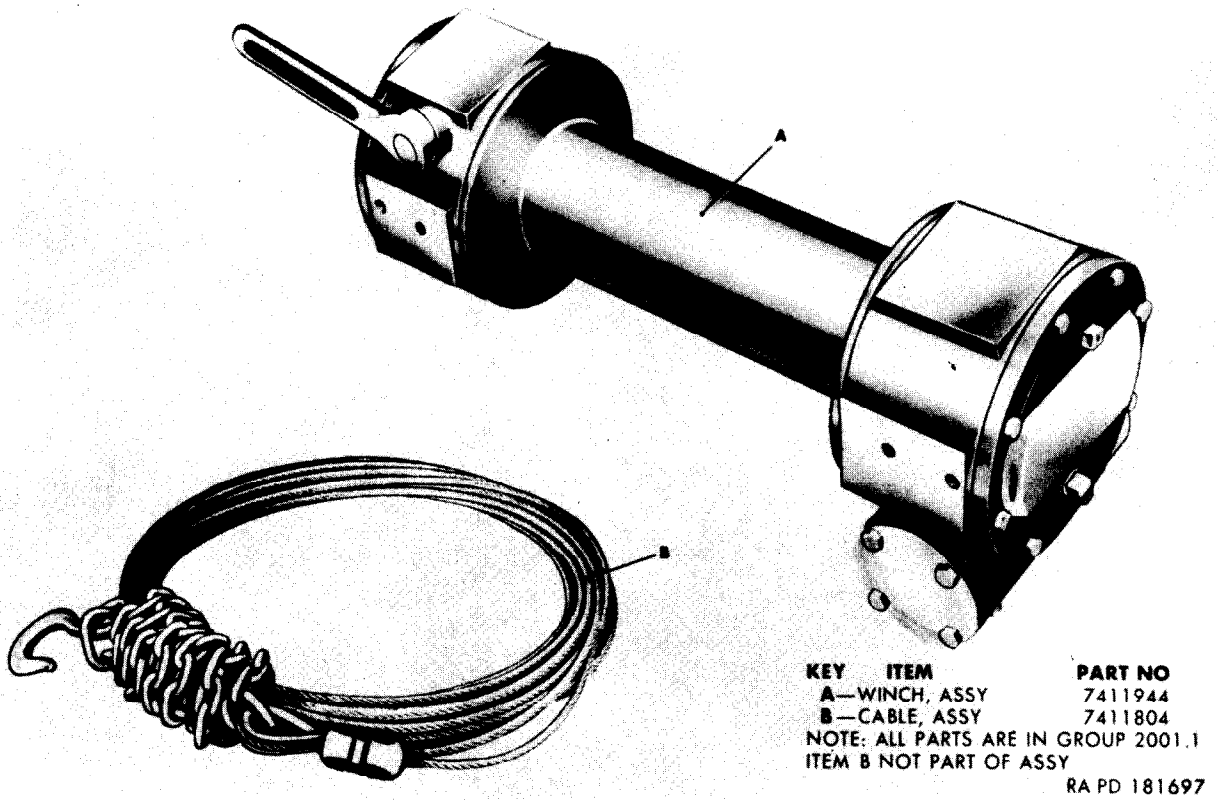


Figure 20-1. Winch assy (7411944)—exploded view

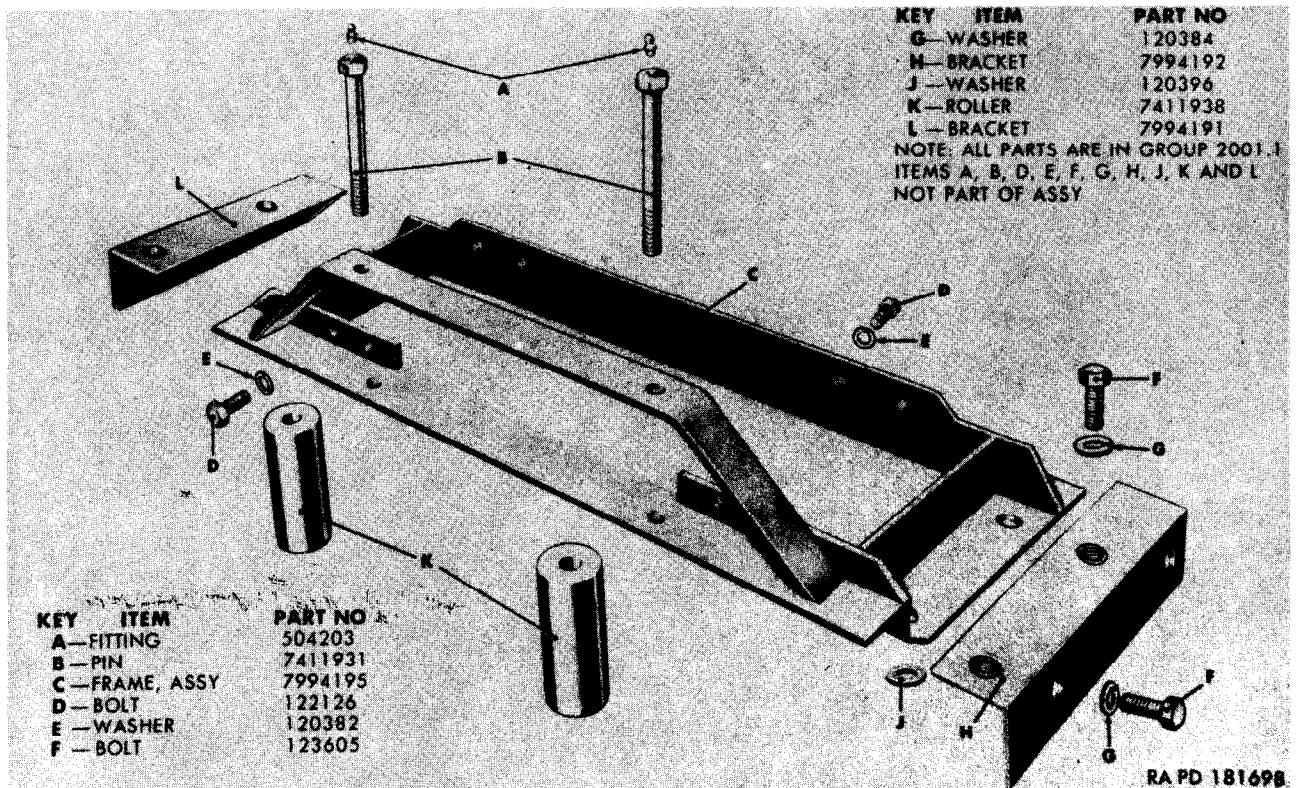


KEY	ITEM	PART NO
A	WINCH, ASSY	7411944
B	CABLE, ASSY	7411804

NOTE: ALL PARTS ARE IN GROUP 2001.1  
ITEM B NOT PART OF ASSY

RA PD 181697

Figure 20-2. Winch assy (7411944) and related part



KEY	ITEM	PART NO
G	WASHER	120384
H	BRACKET	7994192
J	WASHER	120396
K	ROLLER	7411938
L	BRACKET	7994191

NOTE: ALL PARTS ARE IN GROUP 2001.1  
ITEMS A, B, D, E, F, G, H, J, K AND L  
NOT PART OF ASSY

KEY	ITEM	PART NO
A	FITTING	504203
B	PIN	7411931
C	FRAME, ASSY	7994195
D	BOLT	122126
E	WASHER	120382
F	BOLT	123605

RA PD 181698

Figure 20-3. Winch frame (7994195) and related parts—exploded view

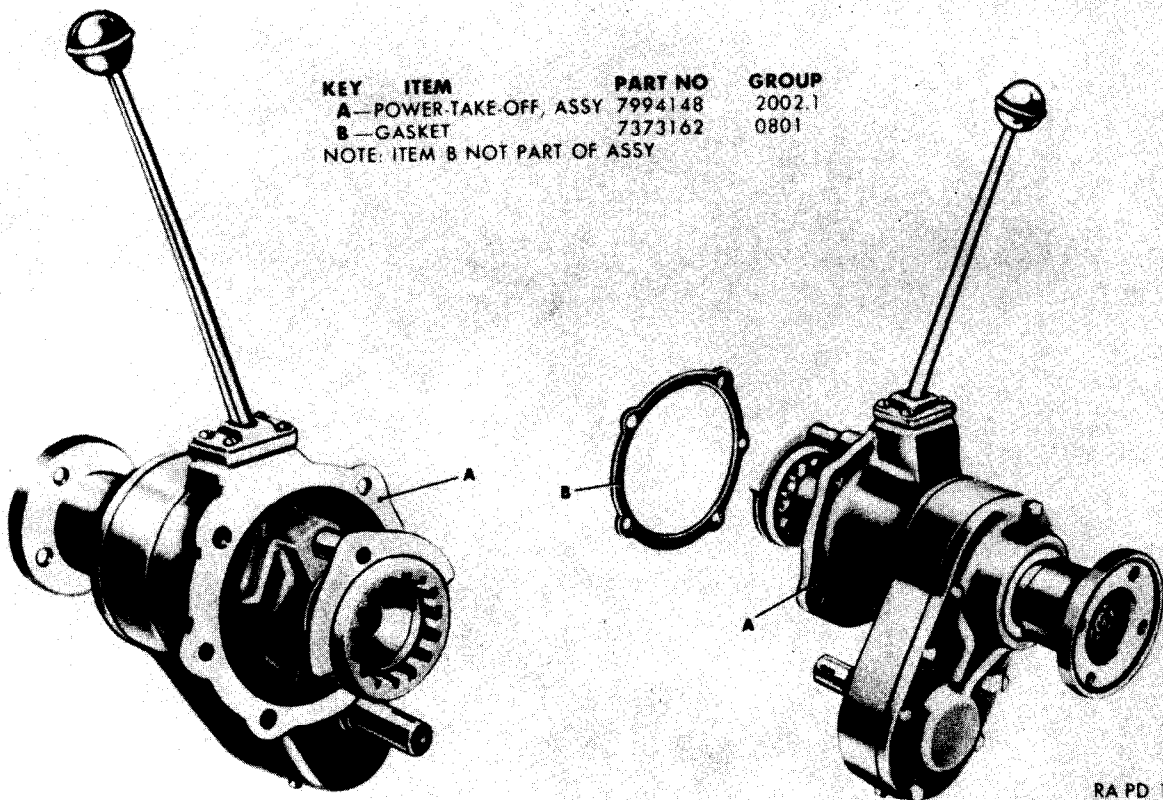


Figure 20-4. Power-take-off (7994148) and related parts—exploded view



Key	Item	Part No.	Group	Key	Item	Part No.	Group
A	-SHAFT, ASSY.....	SP-6510X	2002.5	EE	-NUT.....	RWM-140	2002.1
B	-GEAR.....	7411963	2002.1	FF	-PIN, COTTER.....	103387	2002.1
C	-KEY.....	RWM-133	2002.1	GG	-BOLT.....	122279	2001.3
D	-BEARING.....	700078	2002.1	HH	-WASHER, LOCK.....	8332514	2001.3
E	-GASKET.....	7373162	0801	JJ	-BRACE.....	7994190	2001.3
F	-BALL.....	7411974	2002.5	KK	-STUD.....	103260	0103
G	-SPRING.....	7411983	2002.5	LL	-PLUG.....	143934	2002.1
H	-SCREW.....	161901	2002.5	MM	-BOLT.....	120854	2002.1
J	-KNOB.....	7696491	2002.5	NN	-WASHER.....	120380	2002.1
K	-BOOT.....	7361994	2002.5	PP	-KEY.....	7411690	2001.3
L	-LEVER.....	7411977	2002.5	QQ	-BEARING.....	701170	2001.3
M	-PIN.....	117877	2002.5				2002.1
N	-LATCH, ASSY.....	8329889	2002.5	RR	-BOLT, SET.....	192452	2002.1
	1-LATCH.....	7411976	2002.5	SS	-SHAFT.....	7411967	2002.1
	2-PIN.....	7411980	2002.5	TT	-BOLT.....	120233	2002.1
	3-BRACKET.....	WO-804765	2002.5	UU	-SEAL.....	7411940	2002.1
P	-BOOT.....	7375153	2002.5	VV	-WASHER.....	120930	2002.1
Q	-SCREW w/LOCK- WASHER.....	RWM-129	2002.5	WW	-SCREW, SET.....	RWM-87	2001.3
R	-COVER.....	7411975	2002.5	XX	-JOINT, ASSY.....	7994196	2001.3
S	-RETAINER.....	7411981	2002.5	YY	-SHAFT.....	RWM-95A	2001.3
T	-PLATE.....	RWM-130	2002.5	ZZ	-GEAR.....	7411964	2002.1
U	-HOUSING.....	RWM-96	2002.1	AB	-SHAFT.....	8329890	2001.3
V	-SPACER.....	7411970	2002.1	AC	-SEAL.....	7411687	2001.3
W	-KEY.....	7411690	2001.3	AD	-JOINT, ASSY.....	7994197	2001.3
			2002.1	AE	-SEAL.....	7411950	2001.3
X	-SPROCKET.....	7411971	2002.1	AF	-CAP.....	RWM-76	2001.3
Y	-CHAIN.....	7411961	2002.1	AG	-SHAFT.....	RWM-77	2001.3
Z	-GASKET.....	7411962	2002.1	AH	-NUT.....	124634	2001.3
AA	-COVER.....	RWM-97	2002.1	AJ	-WASHER.....	120898	2001.3
BB	-SEAL.....	7411966	2002.1	AK	-BOLT.....	123520	2001.3
CC	-ADAPTER.....	RWM-138	2002.1	AL	-WASHER.....	120382	2001.3
DD	-WASHER.....	7411972	2002.1	AM	-CASE.....	RWM-75	2001.3
				AN	-FITTING.....	RWM-80	2001.3

Figure 20-5. Power-take-off and controls—legend



2001.1

314

(1) ILLUSTRATION NO.	(2) REFERENCE SYMBOLS	(3) ORDNANCE STOCK NO.	(4) FEDERAL STOCK NO.	(5) MFR'S PART NO.	(6) ORDNANCE PART NO.	(7) DESCRIPTION	(8) QUANTITY INCORPORATED IN UNIT	(9) UNIT OF ISSUE
						<b>GROUP 20—WINCH AND POWER-TAKE-OFF</b>		
						<b>2001.1—WINCH ASSEMBLY AND DRUM</b>		
20-1		G740-7411799		RWM-82 WO-118237	7411799	BAND, worm brake.....	1	ea
20-1		G740-7411800		RWM-517 WO-118235	7411800	BEARING, ball, worm shaft.....	2	ea
20-1		G740-7411801		RWM-62 WO-118253	7411801	BEARING, clutch housing.....	1	ea
20-3				WO-802255	7994192	BRACKET, frame support, left, assy.....	1	ea
20-3				WO-801768	7994191	BRACKET, frame support, right, assy.....	1	ea
20-3	H1	H101-0123605	012-3605		123605	BOLT, MACHINE, hex-hd, S, cd or zn-pltd, 1/2-20NC-3 x 1	4	ea
20-3	H1	H001-7025801	012-0384		120384	WASHER, LOCK, med, S, cd or zn-pltd, 1/2 in.....	4	ea
20-1		G740-7411802	3120-741-1802	RWM-511 WO-118232	7411802	BUSHING, bz, 1 1/4 ID, 1 23/32 OD, 1 1/4 in lg (drum shaft (2) and worm gear housing cover (1))	3	ea
20-1		G740-7411803	3120-741-1803	RWM-98 WO-118233	7411803	BUSHING, 1 1/4 ID, 1 23/32 OD, 1 in lg (worm gear housing).....	2	ea
20-2		G740-7411804		WO-800580	7411804	CABLE, w/HOOK, assy.....	1	ea
20-1				RWM-70 WO-118241		CAP, closed end bearing.....	1	ea
20-1				RWM-516 WO-118242		CAP, worm shaft bearing.....	1	ea
20-1	H1	H001-5451641	018-0020		180020	BOLT, MACHINE, hex-hd, S, 85,000 psi yield strength, cd or zn-pltd, 1/4-20NC-3 x 3/4	8	ea
	H8	H008-0819775			42-C-14761-10	CHAIN, welded, stght link, high carbon, high test, S, natural, nom size 5/16 in	†	ea
20-1		G740-7411805		RWM-60 WO-118256	7411805	CLUTCH, winch.....	1	ea
20-1		G740-7411920		RWM-512 WO-118257	7411920	KEY, sq, rd ends, dl-rd, 5/16 sq x 1 1/2.....	2	ea
20-1		G740-7411921		RWM-57 WO-118251	7411921	COVER, clutch housing.....	1	ea
20-1	H1	H001-5451641	018-0020		180020	BOLT, MACHINE, hex-hd, S, 85,000 psi yield strength, cd or zn-pltd, 1/4-20NC-3 x 3/4	8	ea
20-1	H1	H001-7025681	012-0380		120380	WASHER, LOCK, med, S, cd or zn-pltd, 1/4 in.....	8	ea

20-1		G740-7411922		RWM-52 WO-118222	7411922	COVER, worm gear housing.....	1	ea
20-1	H1	H001-5451641	018-0020		180020	BOLT, MACHINE, hex-hd, S, 85,000 psi yield strength, cd or zn-pltd, 1/4-20NC-3 x 3/4	8	ea
20-1	H1	H001-7025681	012-0380		120380	WASHER, LOCK, med, S, cd or zn-pltd, 1/4 in.....	8	ea
20-1				RWM-81 WO-118236		DRUM, brake, worm.....	1	ea
20-1				RWM-68 WO-118246		DRUM, winch.....	1	ea
20-1	H1	H101-0222460	022-2460		222460	BOLT, SET, headless, socket, S, pl-fin, fl-pt, 5/16-18NC-3 x 3/8	1	ea
20-3	H16	H016-0504203	050-4203	WO-118277		FITTING, grease, 1/4-28 (vertical roller guide pin) (superseded by FITTING, H016-0504203)	2	ea
20-3				WO-806365	504203	FITTING, LUBR, hydraulic type, stght, 1/4-28NF, male (supersedes FITTING, WO-118277)	2	ea
20-3				RWM-100 WO-118267	7994195	FRAME, winch, assy (welded).....	1	ea
20-3	H1	H001-5420541	012-2126	RWM-166B WO-801767	7994193	FRAME, winch, complete, assy (includes FRAME, 7994195)	1	ea
20-3	H1	H101-0123605	012-3605		122126	BOLT, MACHINE, hex-hd, S, cd or zn-pltd, 3/8-16NC-3 x 7/8	8	ea
20-3	H1	H001-7043801	012-0396		123605	BOLT, MACHINE, hex-hd, S, cd or zn-pltd, 1/2-20NF-3 x 1	8	ea
20-3	H1	H001-7025801	012-0384		120396	WASHER, FLAT, S, cd or zn-pltd, 1 1/2 ID, 1 1/2 OD, 0.095 thk (winch frame to support bracket)	8	ea
20-3	H1	H001-7025741	012-0382		120384	WASHER, LOCK, med, S, cd or zn-pltd, 1/2 in.....	8	ea
20-1		G740-7411923		RWM-556 WO-118243	7411923	WASHER, LOCK, med, S, cd or zn-pltd, 3/8 in.....	8	ea
20-1		G740-7411924		RWM-556 WO-118223	7411924	GASKET, bearing cap, 2.062 ID, 3.000 OD, 0.016 thk.....	2	ea
20-1		G740-7411925	2520-741-1925	RWM-56 WO-118223	7411925	GASKET, worm gear housing cover, 5.406 ID, 6.438 OD, 0.625 thk	2	ea
20-1	H1	H101-0426747	042-6747	RWM-55 WO-118229	7411925	GEAR, worm, 2.250 ID, 50T, 5.200 OD, 1.000 face, bz, helical	1	ea
20-1	H8	H008-0591193			426747	BOLT, MACHINE, flat cylindrical, hex-hd, socket drive, S, cd or zn-pltd, 1/4-20NC-3 x 5/8	6	ea
20-1					591193	HOOK, sling, 5/16 in chain, working load 4400 lbs (winch cable)	1	ea
20-1				RWM-53 WO-118250		HOUSING, clutch (winch).....	1	ea
20-1				RWM-51 WO-118221		HOUSING, worm gear.....	1	ea
20-1				RWM-514 WO-118230		HUB, worm gear.....	1	ea
20-1		G740-7411926		RWM-577 WO-118240	7411926	KEY, worm brake drum.....	1	ea
20-1		G740-7411927		RWM-513 WO-118231	7411927	KEY, worm gear.....	2	ea

2001.1

(1)	(2)	(3)	(4)	(5)	(6)	(7)	(8)	(9)
ILLUSTRATION NO.	REFERENCE SYMBOLS	ORDNANCE STOCK NO.	FEDERAL STOCK NO.	MFR'S PART NO.	ORDNANCE PART NO.	DESCRIPTION	QUANTITY INCORPORATED IN UNIT	UNIT OF ISSUE
						<b>GROUP 20—WINCH AND POWER-TAKE-OFF —Continued</b>		
						<b>2001.1—WINCH ASSEMBLY AND DRUM—Continued</b>		
20-1		G740-7411930		RWM-89 WO-118266		KEY, winch	1	ea
				RWM-519 WO-118244	7411930	LINING, brake drum	1	ea
20-3	H8	H008-7717021			7717021	LINK, repair (winch cable chain)	2	ea
		G740-7411931		RWM-558 WO-118282	7411931	PIN, guide, vertical roller	2	ea
20-1		G740-7411932		RWM-39 WO-118224	7411932	PLUG, breather	1	ea
20-1	H6	H106-0143934	014-3934		143934	PLUG, PIPE, sq-hd, CI, cd or zn-pltd, $\frac{3}{8}$ in (gear housing filler (1); and drain (2))	3	ea
20-1		G740-7411933		RWM-61 WO-118252	7411933	RACE, intermediate bearing	1	ea
20-1		G740-7411934		RWM-63 WO-118254	7411934	RETAINER, grease, clutch housing bearing	1	ea
20-1		G740-7411935		RWM-64 WO-118249	7411935	RETAINER, grease, drum	2	ea
20-3		G740-7411938		RWM-557 WO-118281	7411938	ROLLER, vertical	2	ea
20-1		G740-7411936		RWM-83 WO-118238	7411936	SCREW, adjusting, worm brake	1	ea
20-1	H1	H001-4019541			219708	NUT, PLAIN, HEXAGON, reg, s-fin, S, cd or zn-pltd, $\frac{3}{8}$ -24NF-2	1	ea
20-1		G740-7411937		RWM-153 WO-118239	7411937	SCREW, set, $\frac{1}{4}$ -20NC- $\frac{1}{4}$ (worm brake)	1	ea
20-1		G740-7411939		RWM-99 WO-118248	7411939	SEAL, grease, drum shaft	2	ea
20-1		G740-7411940		RWM-515 WO-118205	7411940	SEAL, grease, worm gear	1	ea
20-1		G740-7411941		RWM-69 WO-118247	7411941	SHAFT, drum	1	ea
20-1		G740-7411942		RWM-500 WO-118255	7411942	SPACER, clutch	1	ea
20-1		G740-7411943		RWM-520 WO-118245	7411943	SPRING, drum brake lining	1	ea

316

				WO-801766	7994200	WINCH, w/KEY, assy.....	1	ea
				RWM-89		Composed of:		
					7411944	1 KEY		
20-1				RWM-73A	7411944	1 WINCH		
				WO-118220		WINCH, w/o KEY, assy.....	1	ea
20-1				RWM-67	7411945	WORM (gear housing).....	1	ea
				WO-118234				
						<b>2001.3-WINCH DRIVE SHAFT</b>		
20-5	H12			RWM-78	701170	BEARING, ball, MIL 111-02010-0000 (Rad, SR, extra	2	ea
				MRC-104KS		lt, non-loading groove, type 1, 0.7874 bore, 1.6535 OD,		
						0.4724 width) (hanger)		
20-5				RWM-148	7994190	BRACE, hanger bearing.....	1	ea
				WO-801869				
20-5	H1				123520	BOLT, MACHINE, hex-hd, S, cd or zn-pltd, $\frac{3}{8}$ -	1	ea
				012-3520		24NF-3 x $\frac{3}{4}$ (brace to trans case)		
20-5	H1				122279	BOLT, MACHINE, hex-hd, S, cd or zn-pltd, $\frac{1}{16}$ -	1	ea
				012-2279		14NC-3 x 1 $\frac{1}{2}$		
20-5	H1				116104	WASHER, FLAT, cop, $\frac{1}{32}$ ID, $\frac{5}{64}$ OD, 0.065 thk	2	ea
				5310-011-6104		(superseded by WASHER, G758-8332514)		
20-5				WO-809706	8332514	WASHER, LOCK, ext-teeth, S, blk-oiled-fin, $\frac{1}{16}$ ID,	1	ea
						$\frac{3}{4}$ OD, 0.020 thk (supersedes WASHER, 116104)		
20-5	H1				120382	WASHER, LOCK, med, S, cd or zn-pltd, $\frac{3}{8}$ in.....	1	ea
						CAP, hanger bearing.....	2	ea
20-5				RWM-76		CASE, hanger bearing.....	1	ea
				WO-118274				
20-5				RWM-75				
				WO-118273				
20-5				WO-801866	7411679	CLAMP, drive shaft seal.....	1	ea
				RWM-80		FITTING, grease, $\frac{1}{4}$ -28 (hanger bearing)	1	ea
				WO-118277				
20-5				RWM-74A	7994194	HANGER, bearing, assy.....	1	ea
				WO-118272		Composed of:		
					701170	2 BEARING		
						2 CAP		
						1 CASE		
						1 FITTING		
					7411950	4 SEAL		
						1 SHAFT		
20-5	H1				122577	BOLT, MACHINE, hex-hd, S, cd or zn-pltd, $\frac{9}{16}$ -12NC-	1	ea
				012-2577		3 x 1 $\frac{1}{2}$ (used on vehicles through serial No. 53261)		
20-5	H1				124634	NUT, PLAIN, HEXAGON, lt, s-fin, S, cd or zn-pltd,	1	ea
				012-4634		$\frac{9}{16}$ -18NF-2 (used on vehicles after serial No. 53261)		
20-5	H1				120898	WASHER, LOCK, S, cd or zn-fin, style No. 9, 0.979	1	ea
				5310-012-0898		OD, $\frac{9}{16}$ in bolt size		

(1) ILLUSTRATION NO.	(2) REFER- ENCE SYMBOLS	(3) ORDNANCE STOCK NO.	(4) FEDERAL STOCK NO.	(5) MFR'S PART NO.	(6) ORDNANCE PART NO.	(7) DESCRIPTION	(8) QUANTITY INCOR- PORATED IN UNIT	(9) UNIT OF ISSUE
<b>GROUP 20-WINCH AND POWER-TAKE-OFF</b>								
<b>-Continued</b>								
<b>2001.3-WINCH DRIVE SHAFT-Continued</b>								
		G740-7411681	2520-741-1681	RWM-167B WO-801770	7411681	HANGER, complete, assy..... Composed of:	1	ea
					123520	1 BOLT		
					122279	1 BOLT		
					7994190	1 BRACE		
					7994194	1 HANGER		
					7411690	2 KEY		
					124634	1 NUT		
					120898	1 WASHER		
					120882	1 WASHER		
					8332514	1 WASHER		
20-5				RWM-SK109 WO-118213	7994197	JOINT, slip, universal, assy.....	1	ea
		G740-7411677		WO-801772	7411677	JOINT, slip, universal, w/set SCREW, assy..... Composed of:	1	ea
					7994197	1 JOINT		
				RWM-87		1 SCREW		
20-5				RWM-SK108 WO-118219	7994196	JOINT, universal, assy.....	1	ea
		G740-7411685		WO-801771	7411685	JOINT, universal, w/set SCREW, assy..... Composed of:	3	ea
					7994196	1 JOINT		
				RWM-87		2 SCREW		
20-5		G740-7411690		RWM-88 WO-118211	7411690	KEY, drive shaft (short shaft (2), long shaft (1) and hanger bearing shaft (2)) (supersedes KEY, G740- 7411646)	5	ea
		G740-7411646		RWM-151 WO-118280	7411646	KEY, hanger bearing shaft (superseded by KEY, G740- 7411690)	2	ea
20-5				RWM-87 WO-118214		SCREW, set (slip-universal joint (1) and universal joint (6))	7	ea
20-5		G740-7411687		WO-801868	7411687	SEAL, drive shaft.....	1	ea
20-5		G740-7411950		RWM-79 WO-118276	7411950	SEAL, grease, hanger bearing.....	4	ea
20-5		G740-8329890		RWM-95B WO-118217	8329890	SHAFT, drive, long.....	1	ea

		G740-7411952	2520-741-1952	WO-801769	7411952	SHAFT, drive, long, assy.....	1	ea
20-5				RWM-95A WO-118218	7411690 8329890	Composed of: 1 KEY 1 SHAFT SHAFT, drive, short.....	1	ea
		G740-7411953		WO-801773	7411953	SHAFT, drive, short, assy.....	1	ea
20-5				RWM-95A RWM-77 WO-118275	7411690	Composed of: 2 KEY 1 SHAFT SHAFT, hanger bearing.....	1	ea
	H3	H103-0103260	010-3260		103260	STUD, S, $\frac{9}{16}$ -12NC ( $\frac{7}{8}$ ) x $\frac{9}{16}$ -18NF-2 ( $\frac{7}{8}$ ) x $2\frac{1}{2}$ (plugging, flywheel housing) (used to attach BEARING, G740-7411681 when winch is used) (listed in subgroup 0103)	1	ea
						<b>2001.5 - WINCH CONTROLS</b>		
20-1		G740-7411954		RWM-152 WO-118265	7411954	KEY, clutch shifting lever.....	1	ea
20-1		G740-7411955		RWM-54 WO-118260	7411955	LEVER, shifting, clutch.....	1	ea
20-1		G740-7411956		RWM-65 WO-118261	7411956	PLUNGER, poppet (clutch shifting lever).....	2	ea
20-1				RWM-33 WO-118263		SCREW, set, $\frac{5}{16}$ -18NC x $\frac{1}{4}$ (poppet plunger (2) and lever to shaft (1))	3	ea
20-1		G740-7411958		RWM-59 WO-118259	7411958	SHAFT, clutch shifting yoke.....	1	ea
20-1		G740-7411957		RWM-66 WO-118262	7411957	SPRING, poppet (clutch shifting lever).....	2	ea
20-1		G740-7411959		RWM-58 WO-118258	7411959	YOKE, shifting, clutch.....	1	ea
20-1	H1	H101-0192452	019-2452		192452	BOLT, SET, hex-socket, cone-pt, alloy-S, cd or zn-pltd, $\frac{1}{4}$ -20NC-3A x $\frac{3}{8}$	1	ea
						<b>2002.1 - POWER-TAKE-OFF ASSEMBLY</b>		
20-5				RWM-138 WO-118207		ADAPTER (gear housing).....	1	ea
20-5				SP-S1103 RWM-140 WO-640632		NUT, hex, slotted, S, $\frac{5}{8}$ -18NC-3.....	1	ea
20-5	H1	H001-0811054	010-3387		103387	PIN, COTTER, plain, S, $\frac{1}{8}$ x $1\frac{1}{2}$ .....	1	ea
20-5		G740-7411972		SP-872W RWM-141 WO-640622	7411972	WASHER, plain, S, 0.68 ID, 1.28 OD, 0.125 thk.....	1	ea

(1) ILLUSTRATION NO.	(2) REFERENCE SYMBOLS	(3) ORDNANCE STOCK NO.	(4) FEDERAL STOCK NO.	(5) MFR'S PART NO.	(6) ORDNANCE PART NO.	(7) DESCRIPTION	(8) QUANTITY INCORPORATED IN UNIT	(9) UNIT OF ISSUE
						<b>GROUP 20—WINCH AND POWER-TAKE-OFF —Continued</b>		
						<b>2002.1—POWER-TAKE-OFF ASSEMBLY—Continued</b>		
20-5	H12	H012-1306020		RWM-78 MRC-104KS WO-118204	701170	BEARING, ball, MIL-111-02010-0000 (rad, SR, extra lt, non-loading groove, type 1, 0.7874 bore, 1.6535 OD, 0.4724 width) (output shaft)	2	ea
20-5	H12	H012-1303025			700078	BEARING, ball, MIL-STD-CODE 111-02502-0000 (rad, SR, lt, non-loading groove, 0.9843 bore, 2.0472 OD, 0.596 width) (main drive gear)	2	ea
20-5		G740-7411961		RWM-135 WO-118202	7411961	CHAIN, roller (main drive gear)	1	ea
20-5				RWM-97 WO-118182		COVER, housing	1	ea
20-5	H1	H001-5417601	012-0854		120854	BOLT, MACHINE, hex-hd, S, cd or zn-pltd, ¼-20NC-3 x ⅝	8	ea
20-5	H1	H001-7025681	012-0380		120380	WASHER, LOCK, med, S, cd or zn-pltd, ¼ in	8	ea
20-5		G740-7411962		RWM-142 WO-118183	7411962	GASKET, housing cover	1	ea
20-5		G740-7411963		RWM-117 WO-118184	7411963	GEAR, main drive	1	ea
20-5		G740-7411964		RWM-119 WO-640343	7411964	GEAR, sliding (main drive)	1	ea
20-5				RWM-96 WO-118181		HOUSING, power-take-off	1	ea
20-5		G740-7411690		RWM-88 WO-118211	7411690	KEY, output shaft (power-take-off)	1	ea
20-5				RWM-133 WO-118201		KEY, sprocket	2	ea
20-5	H6	H106-0143934	014-3934		143934	PLUG, PIPE, sq-hd, CI, cd or zn-pltd, ⅜ in (filler in cover (1) and drain in housing (1))	2	ea
20-4		G788-7994148		RWM-105A WO-118212	7994148	POWER-TAKE-OFF w/o KEY, assy	1	ea
		G740-7411965		WO-801774	7411965	POWER-TAKE-OFF w/KEY, assy	1	ea
					120233 7411690 7994148 120930	Composed of: 5 BOLT 1 KEY 1 POWER-TAKE-OFF assy 5 WASHER		

	H1	H101-0423571	042-3571		423571	BOLT, INTEGRAL LOCK WASHER, hex-hd, S, cd or zn-pltd, $\frac{3}{8}$ -16NC-2 x 1 (superseded by BOLT, 120233 and WASHER, 120930)	5	ea
20-5	H1	H001-5420561	012-0233		120233	BOLT, MACHINE, hex-hd, S, cd or zn-pltd, $\frac{3}{8}$ -16NC-3 x 1 (supersedes BOLT, H101-0423571)	5	ea
20-5	H1	H001-7017685	5310-012-0930		120930	WASHER, LOCK, ext-teeth, S, phos-ctd, $\frac{3}{8}$ in (supersedes BOLT, H101-0423571)	5	ea
20-5		G740-7411966		RWM-137 WO-118206	7411966	SEAL, grease, main drive shaft.....	1	ea
20-5		G740-7411940		RWM-515 WO-118205	7411940	SEAL, grease, output shaft.....	1	ea
20-5		G740-7411967		RWM-134 WO-118203	7411967	SHAFT, output.....	1	ea
20-5		G740-7411970		RWM-116 WO-118198	7411970	SPACER, bearing (main drive gear).....	1	ea
20-5		G740-7411971		RWM-132 WO-118200	7411971	SPROCKET.....	2	ea
20-5	H1	H101-0192452	019-2452		192452	BOLT, SET, hex-socket, cone-pt, S, cd or zn-pltd, $\frac{1}{4}$ -20NC-3A x $\frac{3}{8}$	2	ea
<b>2002.5 -- POWER-TAKE-OFF CONTROLS</b>								
20-5		G740-7411974		RWM-123 WO-640627	7411974	BALL, poppet (shifter shaft).....	1	ea
20-5		G503-7361994		WO-646073	7361994	BOOT, power-take-off gear shift lever, inner.....	1	ea
20-5		G740-7375153		WO-801848	7375153	BOOT, power-take-off gear shift lever, outer.....	1	ea
20-5				WO-804765		BRACKET, latch, winch, power-take-off.....	1	ea
20-5		G740-7411975		RWM-126 WO-640624	7411975	COVER, shift lever grease retainer.....	1	ea
20-5				RWM-129 WO-640623		SCREW, ext-teeth lock-washer, rd-hd, S, No. 10 (0.190)-32NF-2 x $\frac{3}{8}$	4	ea
20-5		G503-7696491		RWM-128 WO-A971	7696491	KNOB, shift lever.....	1	ea
20-5		G740-7411976		WO-804764	7411976	LATCH, winch power-take-off.....	1	ea
20-5		G740-8329889		WO-804611	8329889	LATCH, winch power-take-off, assy.....	1	ea
				WO-804765		Composed of: 1 BRACKET 1 LATCH 1 PIN		
	H1	H001-6211401	5305-014-2611		142611	SCREW, TAPPING, thd-forming, pan-hd, gimlet-pt, sh-met-thd, S, cd or zn-pltd, No. 10 (0.190) x $\frac{5}{8}$ (superseded by SCREW, H101-0161901)	4	ea
20-5	H1	H101-0161901	5305-016-1901		161901	SCREW, TAPPING, thd-forming, cross-recess, pan-hd, gimlet-pt, sh-met-thd, S, cd or zn-pltd, No. 10 (0.190) x $\frac{5}{8}$ (supersedes SCREW, 142611)	4	ea



(1)	(2)	(3)	(4)	(5)	(6)	(7)	(8)	(9)
ILLUSTRATION NO.	REFERENCE SYMBOLS	ORDNANCE STOCK NO.	FEDERAL STOCK NO.	MFR'S PART NO.	ORDNANCE PART NO.	DESCRIPTION	QUANTITY INCORPORATED IN UNIT	UNIT OF ISSUE
						<b>GROUP 20—WINCH AND POWER-TAKE-OFF —Continued</b>		
						<b>2002.5—POWER-TAKE-OFF CONTROLS—Continued</b>		
20-5		G740-7411977		RWM-121 WO-640659	7411977	LEVER, shift, power-take-off.....	1	ea
20-5		G740-7411980		WO-804041	7411980	PIN, latch, winch, power-take-off.....	1	ea
		G740-7411979		RWM-118 WO-640629	7411979	PIN, shift lever (shifter shaft end).....	1	ea
20-5	H1	H101-0117877	011-7877		117877	PIN, STRAIGHT, HEADLESS, S, plain, $\frac{5}{16}$ diam, $\frac{15}{16}$ lgh (pivot, shift lever)	1	ea
20-5				SP-31P10 RWM-130 WO-640626		PLATE, shift lever.....	1	ea
20-5		G740-7411981		RWM-127 WO-640625	7411981	RETAINER, grease, shift lever.....	1	ea
		G740-7411982		RWM-124 WO-640619	7411982	SHAFT, shifter.....	1	ea
20-5				SP-6510X WO-640617		SHAFT, shifter, w/yoke, assy (peened).....	1	ea
					7411979 7411982 7411973 7411983	Composed of: 1 PIN 1 SHAFT 1 YOKE		
20-5		G740-7411983		RWM-122 WO-640628	7411983	SPRING, poppet (shifter shaft).....	1	ea
		G740-7411973		SP-32P30 RWM-120 WO-640618	7411973	YOKE, sliding gear.....	1	ea

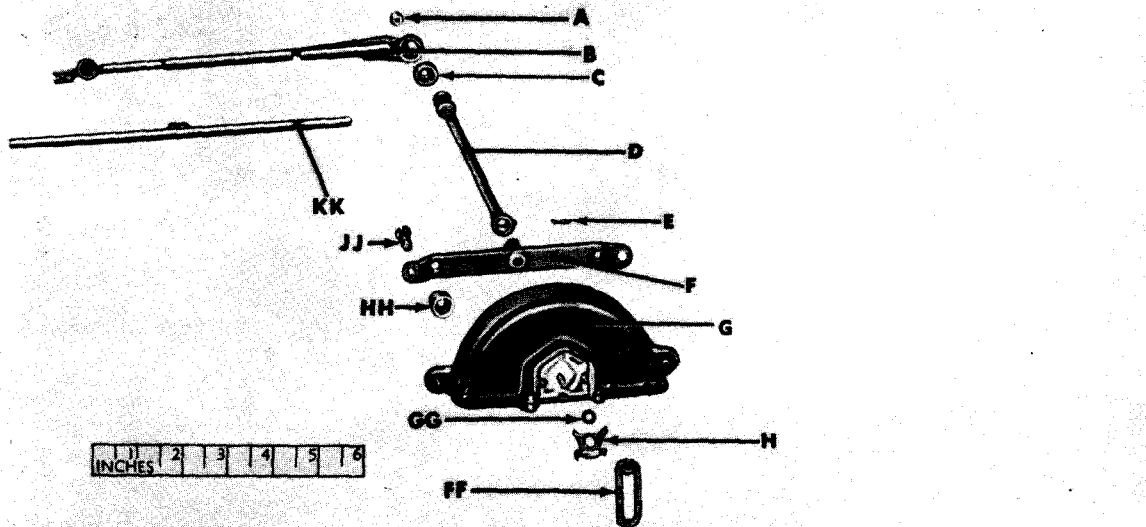
					GROUP 21—BUMPERS AND GUARDS			
					2101—BUMPERS, BRACKETS, GUARDS, AND PROTECTIVE DEVICES			
15-1		G740-7372818	2510-737-2818	WO-801386	7372818	BAR, bumper, front (superseded by BAR, G758-8331831)	1	ea
		G758-8331831		WO-808969	8331831	BAR, bumper, front (supersedes BAR, G740-7372818)	1	ea
	H1	H001-5421221	012-3520		123520	BOLT, MACHINE, cap, hex-hd, S, cd or zn-pltd, $\frac{3}{8}$ -24NF-3 x $\frac{3}{4}$	6	ea
	H1	H001-4167601	012-0369		120369	NUT, PLAIN, HEXAGON, lt, s-fin, S, cd or zn-pltd, $\frac{3}{8}$ -24NF-2	6	ea
18-2		H001-7025741	5310-012-0382		120382	WASHER, LOCK, med, S, cd or zn-pltd, $\frac{3}{8}$ in	6	ea
		G740-7372819		WO-800078	7372819	BUMPERETTE, rear	2	ea
	H1	H101-0123599	012-3599		123599	BOLT, MACHINE, cap, hex-hd, S, cd or zn-pltd, $\frac{1}{2}$ -20NF-3 x $\frac{7}{8}$ (superseded by BOLT, H101-0123605)	4	ea
	H1	H101-0123605	012-3605		123605	BOLT, MACHINE, cap, hex-hd, S, cd or zn-pltd, $\frac{1}{2}$ -20NC-3 x 1 (supersedes BOLT, H101-0123599)	4	ea
	H1	H001-4167681	012-0371		120371	NUT, PLAIN, HEXAGON, lt, s-fin, S, cd or zn-pltd, $\frac{1}{2}$ -20NF-2	4	ea
	H1	H001-7025801	012-0384		120384	WASHER, LOCK, med, S, cd or zn-pltd, $\frac{1}{2}$ in	4	ea
	H1	H001-4167601	012-0369	WO-801665	8673505	FILLER, wood, front bumper bar	1	ea
	H1	H001-5455501			120369	NUT, PLAIN, HEXAGON, lt, s-fin, S, cd or zn-pltd, $\frac{3}{8}$ -24NF-2	4	ea
	H1	H001-7025741	5310-012-0382		181651	SCREW, cap, hex-hd, S, 85,000 psi yield strength, cd or zn-pltd, $\frac{3}{8}$ -24NF-3 x 2 $\frac{3}{4}$	4	ea
	H1	H101-0446477			120382	WASHER, LOCK, med, S, cd or zn-pltd, $\frac{3}{8}$ in	4	ea
	H1				446477	WASHER, plain, S, cd or zn-pltd, $\frac{1}{16}$ ID, 1 $\frac{3}{8}$ OD, 0.083 thk	4	ea
	H1	G740-7372820		WO-800390	7372820	GUARD, blackout driving light, w/SUPPORT	1	ea
	H1	H001-5419861	012-1661		121661	BOLT, MACHINE, cap, hex-hd, S, cd or zn-pltd, $\frac{5}{16}$ -24NF-3 x 1	2	ea
	H1	H001-5419901	012-3774		123774	BOLT, MACHINE, hex-hd, S, cd or zn-pltd, $\frac{5}{16}$ -24NF-3 x 1 $\frac{1}{4}$	1	ea
	H1	H001-4167561	012-0368		120368	NUT, PLAIN, HEXAGON, lt, s-fin, S, cd or zn-pltd, $\frac{5}{16}$ -24NF-2	3	ea
	H1	H001-7124911	5310-017-8532		178532	WASHER, LOCK, int-ext-teeth, reg, S, cd or zn-pltd, $\frac{5}{16}$ x 0.900 (0.865 to 0.900 in OD)	4	ea
	H1	H001-7025711	012-0214		120214	WASHER, LOCK, med, S, cd or zn-pltd, $\frac{5}{16}$ in	1	ea
		G503-7415729		WO-A4116	7415729	WASHER, plain, S, $\frac{5}{16}$ in (superseded by WASHER, WO-A11775)	1	ea
				WO-A11775		WASHER, plain, S, cd or zn-pltd, $\frac{5}{16}$ in (supersedes WASHER, G503-7415729)	1	ea
	H1	G740-7372881	2910-737-2881	WO-674471	7372881	GUARD, fuel tank cap	1	ea
		H101-9409098			9409098	BOLT, MACHINE, hex-hd, header-pt, S, cd or zn-pltd, w/spring lock washer, $\frac{5}{16}$ -18UNC-2A x $\frac{7}{8}$	4	ea

2101

(1) ILLUSTRATION NO.	(2) REFER- ENCE SYMBOLS	(3) ORDNANCE STOCK NO.	(4) FEDERAL STOCK NO.	(5) MFR'S PART NO.	(6) ORDNANCE PART NO.	(7) DESCRIPTION	(8) QUANTITY INCOR- PORATED IN UNIT	(9) UNIT OF ISSUE
<b>GROUP 21—BUMPERS AND GUARDS—Continued</b>								
<b>2101—BUMPERS, BRACKETS, GUARDS, AND PROTECTIVE DEVICES—Continued</b>								
05-1		G740-7372882		WO-674875	7372882	GUARD, headlight.....	2	ea
05-1	H1	H101-0425380	042-5380		425380	BOLT, INTEGRAL LOCK WASHER, hex-hd, header-pt, S, cd or zn-pltd, 1/4-20NC-2 x 5/8	4	ea
				WO-673249		GUARD, radiator, w/RETAINERS and weld NUTS, assy	1	ea
05-1; 18-1		G740-7372883		WO-673313	7372883	GUARD, radiator, w/DEFLECTORS, HINGES and hood LINER, assy	1	ea
	H1	H001-4139781	012-0399		120399	NUT, PLAIN, SQUARE, S, cd or zn-pltd, 5/16-18NC-2...	4	ea
		G740-7697548		WO-A3549	7697548	RETAINER, sq-nut, 5/16 in (radiator guard).....	4	ea
05-1		G740-7372886		WO-673468	7372886	SCREW, int-teeth-lock washer, hex-hd, S, cd or zn- pltd, 5/16-18NC x 7/8	6	ea
				WO-674240		GUARD, taillight and trailer connection.....	1	ea
				WO-674267		NUT, SPOT, weld, S, 1/4-20NC-2 (taillight guard and trailer connector 4) (used on vehicles through serial No. 15939)	4	ea
				ONB-SN2113 WO-674350	8676969	NUT, SPOT, weld, S, 1/4-20NC-2 (taillight guard and trailer connector) (used on vehicles after serial No. 15939)	4	ea
		G740-7372884		WO-674239	7372884	GUARD, taillight and trailer connection, w/weld NUTS, assy	1	ea
	H1	H101-0425380	042-5380		425380	BOLT, INTEGRAL LOCK WASHER, hex-hd, header-pt, S, cd or zn-pltd, 1/4-20NC-2 x 5/8	4	ea
05-1		G740-7697592		WO-673621	7697592	HINGE (panel, radiator guard).....	2	ea
05-1		G740-7697446		WO-673501	7697446	SCREW, lock washer, hex-hd, S, cd or zn-pltd, 3/8- 16NC x 1	4	ea
05-1				WO-663520		LINER, hood, radiator guard.....	1	ea
05-1	H1				113454	RIVET, split, oval-hd, S, blk-enmld, 3/4 x 1/16.....	13	ea
05-1	H2	H002-7697591		WO-673456	7697591	LOOP, footman, 1 in strap size (radiator guard).....	1	ea
05-1	H1	H001-4135661	012-0361		120361	NUT, PLAIN, HEXAGON, S, cd or zn-pltd, No. 10 (0.190)-24NC-2	2	ea
05-1	H1	H101-0123854	5305-012-3854		123854	SCREW, MACHINE, fl-hd, S, cd or zn-pltd, No. 10 (0.190)-24NC-2A x 1/2	2	ea
05-1	H1	H001-7025621	012-0217		120217	WASHER, LOCK, med, S, cd or zn-pltd, No. 10 (0.190)...	2	ea

324

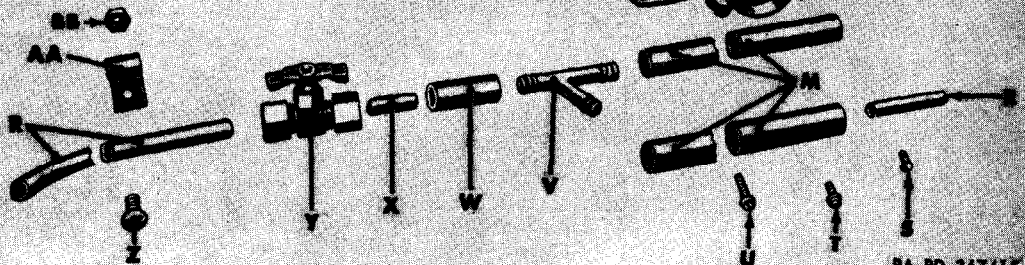
				ONB-SN2113 WO-674350	8676969	NUT, WELD, SPOT, S, 1/4-20NC (radiator guard).....	4	ea
				ONB-SN1610 WO-674898	8677317	NUT, WELD, SPOT, S, No. 10 (0.190)-24NC (radiator guard)	16	ea
05-1		G740-7346941		WO-800389	7346941	PAD, insulator, blackout driving lamp support (ru).....	1	ea
05-1		G740-7372887		WO-673281	7372887	PIN, hinge, radiator guard, w/BRACKET, left (welded)...	1	ea
		G740-7372888		WO-673282	7372888	PIN, hinge, radiator guard, w/BRACKET, right (welded)	1	ea
05-1	H1	H001-5419841	012-0213		120213	BOLT, MACHINE, hex-hd, S, cd or zn-pltd, 5/16- 24NF-3 x 7/8	4	ea
05-1	H1	H101-0446363	044-6363		446363	WASHER, FLAT, hv, S, cd or zn-pltd, 3/8 ID, 7/8 OD, 0.083 thk	4	ea
05-1	H1	H001-7025711	012-0214		120214	WASHER, LOCK, med, S, cd or zn-pltd, 5/16 in.....	4	ea
				WO-675141		PLATE, tapping, radiator guard hinge.....	2	ea



- | KEY | ITEM        |
|-----|-------------|
| A   | NUT         |
| B   | ARM         |
| C   | DRIVER      |
| D   | HANDLE      |
| E   | PIN         |
| F   | PLATE       |
| G   | HOUSING     |
| H   | VALVE       |
| J   | YOKE        |
| K   | KICKER      |
| L   | COVER       |
| M   | TUBE        |
| N   | PADDLE      |
| P   | GASKET      |
| Q   | COVER       |
| R   | TUBE        |
| S   | SCREW       |
| T   | SCREW       |
| U   | SCREW       |
| V   | TEE         |
| W   | HOSE        |
| X   | TUBE        |
| Y   | VALVE, ASSY |
| Z   | BOLT        |
| AA  | CLIP        |
| BB  | NUT         |
| CC  | GASKET      |
| DD  | GASKET      |
| EE  | SPRING      |
| FF  | RETAINER    |
| GG  | WASHER      |
| HH  | SPACER      |
| JJ  | SCREW       |
| KK  | BLADE       |

- | PART NO        |
|----------------|
| 7410623        |
| 500810         |
| 7372262        |
| TRI-809-14     |
| TRI-87453      |
| TRI-82812-41   |
| TRI-86520-1    |
| TRI-2631-1     |
| A-327340       |
| TRI-2618-17    |
| TRI-8896-1     |
| WO-674651      |
| TRI-P-86636-1J |
| TRI-87352      |
| TRI-86521-3    |
| WO-673564      |
| TRI-1863       |
| TRI-1900       |
| TRI-1900-1     |
| 7099460        |
| 8677266        |
| WO-674052      |
| 7375188        |
| 420505         |
| WO-673622      |
| 120361         |
| TRI-F1140      |
| TRI-8894-3     |
| A-327341       |
| 5327336        |
| A-327342       |
| TRI-1895       |
| TRI-1727-28    |
| 500813         |

NOTE: ALL PARTS LISTED ARE IN GROUP 2202



RA PD 367415

Figure 22-1. Windshield wiper motor and related parts—exploded view

(1) ILLUSTRATION NO.	(2) REFER- ENCE SYMBOLS	(3) ORDNANCE STOCK NO.	(4) FEDERAL STOCK NO.	(5) MFR'S PART NO.	(6) ORDNANCE PART NO.	(7) DESCRIPTION	(8) QUANTITY INCOR- PORATED IN UNIT	(9) UNIT OF ISSUE
<b>GROUP 22—MISCELLANEOUS ACCESSORIES</b>								
<b>2201—CANVAS ITEMS, BOWS, AND CURTAINS</b>								
		G740-7372889		WO-673803	7372889	BOW, top, assy (includes front and rear BOWS).....	1	ea
		G740-7372890		WO-673791	7372890	BOW, top, front, assy.....	1	ea
	H1	H001-0924222	010-4099		104099	RIVET, SOLID, b-hd, S, 5/16 x 1 (front to rear top bow).....	2	ea
	H1	H101-0502246	050-2246		502246	WASHER, FLAT, plain, S, cd or zn-pltd, 1 1/32 ID, 1 OD, 3/32 thk	2	ea
		G740-7372891		WO-673794	7372891	BOW, top, rear (welded) (includes top bow PIVOT).....	1	ea
	H8	H008-0819985		WO-673775	42-C-16600	CHAIN, weldless, safety, S, thkns 0.018 in (13 links, 6 in long) (thumb screw (2) and retaining pin (2))	4	ea
		G740-7375324		WO-674622	7375324	CHAIN, w/RING and retaining PIN, assy (top rail).....	2	ea
					42-C-16600	Composed of: 2 CHAIN 2 PIN 4 RING		
		G740-7697412		WO-674621	7697412	COVER, top, assy (includes DECK, rear CURTAIN and STRAPS)	1	ea
		G740-7697413		WO-674971	7697413	CURTAIN, left, door, assy.....	1	ea
		G740-7697414		WO-674972	7697414	CURTAIN, right, door, assy.....	1	ea
				WO-674187		CURTAIN, rear, assy (includes LIGHT, STRAPS, and FASTENERS)	1	ea
		G740-7697415		WO-674197	7697415	CURTAIN, left, side quarter, assy.....	1	ea
		G740-7697416		WO-674198	7697416	CURTAIN, right, side quarter, assy.....	1	ea
				WO-674925	8673386	DOOR, folding, left, assy.....	1	ea
				WO-674926	8673455	DOOR, folding, right, assy.....	1	ea
		G740-7372892		WO-674969	7372892	DOOR, left, assy.....	1	ea
		G740-7372893		WO-674970	7372893	DOOR, right, assy.....	1	ea
	H2	H102-0426687			426687	EYELET, large turnbutton fastener, br, blk, 5/16 in lg prong	70	ea
				WO-674112		HANDLE, door.....	2	ea
		G740-7372899		WO-674113	7372899	HANDLE, door, w/PIN, assy.....	2	ea
		G740-7369952		WO-673300	7369952	PANE, door window (22 3/16 x 30 3/4 vinyl sheet).....	2	ea
		G740-7369951		WO-673158	7369951	PANE, side quarter and rear curtain (side curtain (2) and rear curtain (1)) (size 20 x 12 1/2 vinyl sheet)	3	ea
				WO-674621		PIN, retaining, chain, S, 0.091 diam, 2 1/8 dev lgh (top rail).....	2	ea
		G740-7348525		WO-673797	7348525	PIVOT, front top bow.....	2	ea

(1) ILLUSTRATION NO.	(2) REFER- ENCE SYMBOLS	(3) ORDNANCE STOCK NO.	(4) FEDERAL STOCK NO.	(5) MFR'S PART NO.	(6) ORDNANCE PART NO.	(7) DESCRIPTION	(8) QUANTITY INCOR- PORATED IN UNIT	(9) UNIT OF ISSUE
<b>GROUP 22—MISCELLANEOUS ACCESSORIES</b>								
<b>—Continued</b>								
<b>2201—CANVAS ITEMS, BOWS, AND CURTAINS</b>								
<b>—Continued</b>								
				WO-663556		PLATE, latch (welded to left ROD, 674891).....	1	ea
				WO-663555		PLATE, latch (welded to right ROD, 674892).....	1	ea
				WO-674111		PLATE, rub.....	2	ea
				WO-674114	8677313	PLATE, rub, rear door handle.....	2	ea
				WO-674630	8673493	RAIL, top (includes bracket).....	2	ea
				WO-674996		REINFORCEMENT, stove pipe opening (used on vehicles through serial No. 15956)	1	ea
				WO-673774		RING, thumb screw chain, S, 0.047 diam, 3 1/8 in dev lgth (thumb screw (4) and retaining pin (4))	8	ea
				WO-674887		ROD, folding door, diagonal, left.....	1	ea
				WO-674888		ROD, folding door, diagonal, right.....	1	ea
				WO-674905		ROD, folding, left, door, front (welded) (includes SOCKET and HINGE)	1	ea
				WO-674913		ROD, folding, left, door lower.....	1	ea
				WO-674889		ROD, folding, left, door upper.....	1	ea
				WO-674891	8673980	ROD, folding, left, door rear (welded) (includes latch PLATE and SOCKET)	1	ea
				WO-674906		ROD, folding, right, door front (welded) (includes SOCKET and HINGE)	1	ea
H1		H001-0924149	011-0949		110949	RIVET, SOLID, b-hd, S, plain, 1/4 x 15/16.....	2	ea
				WO-674914		ROD, folding, right, door lower.....	1	ea
				WO-674892		ROD, folding, right, door rear (welded) (includes latch PLATE and SOCKET)	1	ea
H1		H001-0924146	010-4083		104083	RIVET, SOLID, b-hd, S, 1/4 x 3/4.....	4	ea
		G740-7372895		WO-674890		ROD, folding, right, door upper.....	1	ea
				WO-674721	7372895	ROD, front side curtain.....	2	ea
		G740-7697593		WO-674789	8677315	SCREW, thumb, 3/8-16NC-3 (top bow).....	2	ea
				WO-674790	7697593	SCREW, thumb, w/CHAIN and RING, assy (top bow).....	2	ea
					42-C-16600	Composed of: 2 CHAIN		
				WO-673774		4 RING		
					8677315	2 SCREW		

			WO-674904		SOCKET, folding door rear rod.....	2	ea
	G740-7372896		WO-674105	7372896	SOCKET, left, door lower hinge (welded) (includes inner and outer PLATE)	1	ea
			WO-673777		SOCKET, rear top bow.....	2	ea
			WO-673782		NUT, weld, S, $\frac{3}{8}$ -16NC.....	2	ea
	G740-7372898	2510-737-2898	WO-673771	7372898	SOCKET, rear top bow, w/weld NUTS.....	2	ea
	G740-7697440	5305-769-7440	WO-673597	7697440	BOLT, INTEGRAL, LOCK WASHER, int-teeth, hex-hd, S, cd or zn-pltd, $\frac{5}{16}$ -18NC-2 x $\frac{3}{4}$ (superseded by BOLT, H101-0425388)	6	ea
H1	H101-0425388	042-5388		425388	BOLT, INTEGRAL, LOCK WASHER, hex-hd, header-pt, S, cd or zn-pltd, $\frac{5}{16}$ -18NC-2 x $\frac{5}{8}$ (supersedes BOLT, G740-7697440)	6	ea
H1	H001-4167541	012-0376		120376	NUT, PLAIN, HEXAGON, lt, s-fin, S, cd or zn-pltd, $\frac{5}{16}$ -18NC-3	6	ea
	G740-7372897		WO-674106	7372897	SOCKET, right, door lower hinge (welded) (includes inner and outer PLATE)	1	ea
H1	H101-0107316	5305-010-7316		107316	SCREW, TAPPING, thd-forming, rd-hd, blunt-pt, sh-met-thd, S, cd or zn-pltd, No. 8 (0.164) x $\frac{1}{2}$ (superseded by SCREW, H101-0163162)	8	ea
H1	H101-0163162	5305-016-3162		163162	SCREW, TAPPING, thd-forming, cross-recess-pan-hd, gimlet-pt, sh-met-thd, S, cd or zn-pltd, No. 8 (0.164) x $\frac{1}{2}$ (supersedes SCREW, H101-0107316)	8	ea
H2	H002-7697417		WO-663596	7697417	STUD, curtain double, turnbutton, w/EYELET, assy.....	62	ea
	G740-7697418		UC-78502	7697418	WASHER, curtain fastener.....	62	ea
			WO-663597				
H2	H102-0426686			426686	WASHER, large turnbutton fastener eyelet, br, black (curtain fastener)	70	ea
	G740-7697595		WO-674004	7697595	ZIPPER, hand opening in left door, 16 in lg.....	1	ea
					<b>2202—MIRRORS, REFLECTORS, AND WINDSHIELD WIPERS</b>		
			WO-118139		ARM, extension, mirror (adjustable) (used w/MIRROR, H017-0547202)	1	ea
			WO-120276		ARM, extension, mirror, assy (adjustable) (used w/MIRROR, H017-0547202)	1	ea
					Composed of:		
			WO-118139		1 ARM		
			WO-120275		1 ARM		
			WO-120279		1 CLAMP		
			WO-A11862		1 NUT		
			WO-118142		1 SCREW		
			WO-120072		ARM, extension, mirror (adjustable) (used w/MIRROR, H017-0547202)	1	ea



(1) ILLUSTRATION NO.	(2) REFERENCE SYMBOLS	(3) ORDNANCE STOCK NO.	(4) FEDERAL STOCK NO.	(5) MFR'S PART NO.	(6) ORDNANCE PART NO.	(7) DESCRIPTION	(8) QUANTITY INCORPORATED IN UNIT	(9) UNIT OF ISSUE
<b>GROUP 22—MISCELLANEOUS ACCESSORIES</b>								
<b>—Continued</b>								
<b>2202—MIRRORS, REFLECTORS, AND WINDSHIELD WIPERS—Continued</b>								
H2	H002-0547250	2540-054-7250			547250	ARM, REARVIEW MIRROR, extension, S, phos-fin, od, 8 to 11 in (superseded by ARM, WO-120074) Composed of: 1 ARM 1 ARM 1 CLAMP 1 NUT 1 SCREW	1	ea
				WO-118139				
				WO-118140				
				WO-118141				
				WO-A11862				
				WO-118142				
				WO-120074		ARM, extension, mirror, assy (adjustable) (used w/MIRROR, H017-0547202) (supersedes ARM, H002-0547250) Composed of: 1 ARM 1 ARM 1 NUT 1 SCREW	1	ea
				WO-120072				
				WO-120073				
				WO-A11862				
				WO-118142				
				WO-118140		ARM, extension, mirror (fixed) (superseded by ARM, WO-120073)	1	ea
				WO-120073		ARM, extension, mirror, assy (fixed) (used w/MIRROR, H017-0547202) (supersedes ARM, WO-118140)	1	ea
H1	H001-5421261	012-0647			120647	BOLT, MACHINE, cap, hex-hd, S, cd or zn-pltd, $\frac{3}{8}$ -24NF-3 x 1 (superseded by BOLT, 123534)	1	ea
H1	H001-5421281				123534	BOLT, MACHINE, hex-hd, S, cd or zn-pltd, $\frac{3}{8}$ -24NF-3 x 1 $\frac{1}{8}$ (supersedes BOLT, 120647)	1	ea
H1	H001-4167601	012-0369			120369	NUT, hexagon, reg, S, cd or zn-pltd, $\frac{3}{8}$ -24NF-2B (supersedes NUT, 225831)	1	ea
H1	H001-4027541	022-5831			225831	NUT, PLAIN, HEXAGON, reg, s-fin, S, cd or zn-pltd, $\frac{3}{8}$ -24NF-2B (supersedes by NUT, 120369)	1	ea
				WO-118146		WASHER, fiber, $\frac{3}{8}$ ID, $\frac{1}{32}$ thk (superseded by WASHER, 120075)	2	ea
				WO-120075		WASHER, fiber, 1 in OD, $\frac{1}{16}$ thk (supersedes WASHER, WO-118146)	2	ea
H1	H001-7023741	5310-012-0381			120381	WASHER, LOCK, lt, S, cd or zn-pltd, $\frac{3}{8}$ in.....	1	ea

			WO-120275		ARM, mirror, assy (fixed) (used w/MIRROR, H017-0547202)	1	ea
	H1	H001-5421261	012-0647	120647	BOLT, MACHINE, cap, hex-hd, S, cd or zn-pltd, 3/8-24NF-3 x 1	1	ea
	H1	H001-4167601	012-0369	120369	NUT, hexagon, reg, S, cd or zn-pltd, 3/8-24NF-2B	1	ea
			WO-120277		WASHER, fiber, .050, 7/8 OD, 25/64 ID	2	ea
22-1	H1	H001-7023741	5310-012-0381	120381	WASHER, LOCK, lt, S, cd or zn-pltd, 3/8 in	1	ea
	H17	H017-0500810	2540-050-0810	500810	ARM, WINDSHIELD, WIPER, phos-fin, od, 7 1/2 to 12 in	2	ea
		G509-7058965	5310-705-8965	7058965	NUT, blind, S, No. 10-(0.190)-32NF-2 (windshield wiper arm to shaft) (superseded by NUT, G749-7410623)		
22-1		G749-7410623		7410623	NUT, clamping, hex, S, No. 10-32NF-2B (windshield wiper arm to shaft) (supersedes NUT, G509-7058965)	2	ea
22-1	H17	H017-0500813	2540-050-0813	500813	BLADE, WINDSHIELD WIPER, 9 in lg, rigid insert retainer, ru mounted w/sgle slide HOOK	2	ea
		G740-7375190		7375190	BRACKET, mtg, rear view mirror	2	ea
			WO-118143		CLAMP, collar, S, 0.771 ID, 1 5/16 OD (rear view mirror extension arm) (superseded by CLAMP, WO-120279)	1	ea
			WO-118141		CLAMP, collar, S, 1.00 OD x .760 ID (supersedes CLAMP, WO-118141) (rear view mirror extension arm) (used w/MIRROR, H017-0547202)	1	ea
			WO-120279		CLAMP, pivot, rear view mirror (superseded by CLAMP, WO-120076)	1	ea
			WO-118149		CLAMP, pivot, rear view mirror (used w/MIRROR, H017-0547202) (supersedes CLAMP, WO-118149)	1	ea
			WO-120076		BOLT, MACHINE, cap, hex-hd, S, cd or zn-pltd, 3/8-24NF-3 x 1 1/2	1	ea
	H1	H001-5421341	012-0677	120677	NUT, hexagon, reg, S, cd or zn-pltd, 3/8-24NF-2B (supersedes NUT, 225831)	1	ea
				120369	NUT, PLAIN, HEX, reg, s-fin, S, cd or zn-fin, 3/8-24NF-2B (superseded by NUT, 120369)	1	ea
	H1	H001-4027541	022-5831	225831	WASHER, fiber, 1 in OD, 1/16 thk (supersedes WASHER, WO-118146)	2	ea
			WO-120075		WASHER, fiber, 3/8 ID, 1/32 thk (superseded by WASHER, WO-120075)	2	ea
			WO-118146		WASHER, LOCK, lt, S, cd or zn-pltd, 3/8 in	1	ea
	H1	H001-7023741	012-0381	120381	CLAMP, pivot, rear view mirror (used w/MIRROR, H017-0547202)	1	ea
			WO-120278		BOLT, MACHINE, cap, hex-hd, S, cd or zn-pltd, 3/8-24NF-3 x 1 1/2	1	ea
	H1	H001-5421341	012-0677	120677	NUT, hexagon, reg, S, cd or zn-pltd, 3/8-24NF-2B	1	ea
	H1	H001-4167601	012-0369	120369	WASHER, fiber, .050, 7/8 OD, 25/64 ID	2	ea
			WO-120277		WASHER, LOCK, lt, S, cd or zn-pltd, 3/8 in	1	ea
	H1	H001-7023741	5310-012-0381	120381			

(1) ILLUSTRATION NO.	(2) REFER- ENCE SYMBOLS	(3) ORDNANCE STOCK NO.	(4) FEDERAL STOCK NO.	(5) MFR'S PART NO.	(6) ORDNANCE PART NO.	(7) DESCRIPTION	(8) QUANTITY INCOR- PORATED IN UNIT	(9) UNIT OF ISSUE
<b>GROUP 22—MISCELLANEOUS ACCESSORIES</b>								
<b>—Continued</b>								
<b>2202—MIRRORS, REFLECTORS, AND WINDSHIELD WIPERS—Continued</b>								
22-1				TRI-86521-3 WO-118553		COVER, top (windshield wiper motor).....	1	ea
22-1				TRI-1900-1 WO-118555		SCREW, sp, br, S, No. 6-32NC x 1/2.....	4	ea
22-1				TRI-1900 WO-118556		SCREW, sp, br, S, No. 6-32NC x 9/32.....	2	ea
				TRI-8896-4 WO-118563		COVER, valve (windshield wiper motor) (superseded by COVER, TRI-8896-1)	1	ea
22-1				TRI-8896-1 WO-119999		COVER, valve (windshield wiper motor) (supersedes COVER, TRI-8896-4)	1	ea
				TRI-648 WO-118565		SCREW, valve cover (used w/COVER, TRI-8896-4).....	2	ea
22-1				TRI-1863 WO-120000		SCREW, mach, rd-hd, S, No. 4-40 x 1/4 (used w/COVER, TRI-8896-1)	2	ea
22-1		G160-7372262		TRI-79016-4 WO-A12863	7372262	DRIVER, knurled, windshield wiper arm.....	2	ea
				WO-648144	8677307	EXTENSION, windshield wiper tube, assy.....	1	ea
22-1				TRI-F1140 WO-118552		GASKET (PACKING), S, "O" ring, class A material (low flexibility) 0.048 thk, 0.250 ID (windshield wiper motor)	1	ea
				TRI-65-2 WO-118554		GASKET, top cover (windshield wiper motor (super- seded by GASKET, TRI-87352)	1	ea
22-1				TRI-87352 WO-120001		GASKET, top cover (ru) (windshield wiper motor) (supersedes GASKET, TRI-65-2)	2	ea
				TRI-8894-2 WO-118564		GASKET, valve cover (windshield wiper motor) (super- seded by GASKET, TRI-8894-3)	1	ea
22-1				TRI-8894-3 WO-120109		GASKET, valve cover (ru) (windshield wiper motor) (supersedes GASKET, TRI-8894-2)	1	ea
		G518-7000997		WO-800802	7000997	GROMMET, split, ru, 1 3/32 ID (windshield wiper hose through cowl)	2	ea
22-1				TRI-809-14 WO-118568		HANDLE w/KNOB, assy (windshield wiper motor).....	1	ea
22-1				TRI-87453 WO-120002		PIN, sp, dowel, ribbed, S, 0.105 x 1/2 (supersedes SCREW, TRI-F105-10)	1	ea

				TRI-F105-10 WO-118569 WO-673719		SCREW set, hdl (superseded by PIN, TRI-87453).....	1	ea
22-1					8677266	HOSE, windshield wiper ru, compounded, hv wall, $\frac{1}{32}$ in ID, wall thkns $\frac{3}{32}$ in, $1\frac{1}{4}$ in lg (windshield wiper vacuum line to tee (1) and tee to center windshield wiper center tube (1) (use TUBING, 33-T-233)	2	ea
22-1				TRI-86520-1 WO-118550		HOUSING, windshield wiper motor.....	1	ea
22-1				TRI-2618-17 WO-120108		KICKER, valve (windshield wiper motor (supersedes KICKER, G502-7703751)	1	ea
		G502-7703751		TRI-8897-17 WO-118562	7703751	KICKER, valve (windshield wiper motor (superseded by KICKER, TRI-2618-17)	1	ea
18-3	H17	H017-0547202	2540-054-7202		547202	MIRROR, rear view, outside mtg, circular glass, $5\frac{1}{2}$ in diam, assy	1	ea
	H1	H101-0423466	042-3466		423466	BOLT, INTEGRAL LOCK WASHER, int-tooth type, rd-hd, sltd, S, cd or zn-fin, No. 12-24NC-2 x $\frac{1}{2}$	4	ea
	H1	H001-4135701	012-1743		121743	NUT, PLAIN, HEXAGON, mach screw, S, cd or zn-pltd, No. 12-24NC-2	4	ea
				WO-A11860 WO-A11862 WO-A11861		MIRROR, rear view, w/ball pivot STUD, assy.....	1	ea
		G740-7375189	2540-737-5189	TRI-63527 WO-674645	7375189	NUT, hex, S, $\frac{1}{4}$ -28NF.....	1	ea
18-1, 3	H17	H017-0500844			500844	WASHER, lock, $\frac{1}{4}$ in.....	1	ea
	H1	H101-0424540	042-4540		424540	MOTOR, wiper, windshield, assy (superseded by MOTOR, H017-0500844)	2	ea
						MOTOR, wiper, windshield, assy (supersedes MOTOR, G740-7375189)	1	ea
						BOLT, INTEGRAL LOCK WASHER, int-tooth type, rd-hd, sltd, S, cd or zn-fin, header-pt, No. 10-32NF-2 x $\frac{7}{8}$	4	ea
22-1				WO-A11862 TRI-P86636-1-J WO-118551		NUT, jam, hex, thin, S, $\frac{1}{4}$ -28NF.....	1	ea
22-1				TRI-82812-41 WO-118566		PADDLE, w/SHAFT, assy (windshield wiper motor).....	1	ea
22-1				TRI-1727-28 WO-118567		PLATE, w/BEARING (windshield wiper motor).....	1	ea
18-2	H17	H017-0506101		WO-800995	506101	SCREW, mach, fl-hd, br, S, No. 10-32NF-2A x $\frac{7}{8}$ .....	2	ea
	H17	H017-0506101		WO-802382	506101	REFLECTOR, ruby, $4\frac{1}{2}$ in diam (optional w/REFLECTOR, WO-802382)	5	ea
	H1	H101-0420992	042-0992		420992	REFLECTOR, ruby, $4\frac{1}{2}$ in diam (optional w/REFLECTOR, WO-800995)	5	ea
	H1	H001-4167501	012-0375		120375	BOLT, INTEGRAL LOCK WASHER, ext-tooth type, rd-hd, sltd, S, cd or zn-fin, $\frac{1}{4}$ -20NC-2 x $\frac{5}{8}$	8	ea
						NUT, PLAIN, HEXAGON, lt, s-fin, S, cd or zn-pltd, $\frac{1}{4}$ -20NC-2	8	ea

(1) ILLUSTRATION NO.	(2) REFER- ENCE SYMBOLS	(3) ORDNANCE STOCK NO.	(4) FEDERAL STOCK NO.	(5) MFR'S PART NO.	(6) ORDNANCE PART NO.	(7) DESCRIPTION	(8) QUANTITY INCOR- PORATED IN UNIT	(9) UNIT OF ISSUE
<b>GROUP 22—MISCELLANEOUS ACCESSORIES —Continued</b>								
<b>2202—MIRRORS, REFLECTORS, AND WINDSHIELD WIPERS—Continued</b>								
22-1		G502-5327338		TRI-2630-3 WO-118559 WO-118142	5327338	RETAINER, valve (windshield wiper motor)	1	ea
				WO-118148		SCREW, sq-hd, S, cup-pt, 1/4-28NF x 1/2 (rear view mirror extension arm)	1	ea
						SPACER, S, 25/64 ID, 5/8 OD, 1 1/16 lg (rear view mirror pivot clamp)	1	ea
22-1				TRI-1895 WO-118570		SPACER, windshield wiper motor plate to housing	2	ea
22-1		G502-0389787		TRI-2620 WO-118561	A327341	SPRING, 1/16 lgh, 1/8 dia (13 1/2 coils) (windshield wiper motor)	1	ea
22-1		G503-7099460		TRI-79513 WO-673623	7099460	TEE, hose, Y-pattern, 1/4 in (windshield wiper vacuum line)	2	ea
03-4; 22-1				WO-673564		TUBE, S, seamless, pltd, 1/4 OD, 0.030 thkns of wall, dev lgh 24 1/4 in (windshield wiper center) (use TUBING, 44-T-5080-15)	2	ea
22-1	H1	H101-0420505	042-0505		420505	BOLT, INTEGRAL LOCK WASHER, int-tooth type, rd-hd, sltd, S, cd or zn-fin, header-pt, No. 10-24NC-2 x 1/16	2	ea
22-1	H1	H001-4135661	012-0361		120361	NUT, PLAIN, HEXAGON, S, cd or zn-pltd, No. 10-24NC-2	2	ea
22-1				WO-674052		TUBE, S, seamless, pltd, 1/4 OD, 0.030 thkns of wall, dev lgh 1 1/4 in (windshield wiper) (use TUBING, 44-T-5080-15)	1	ea
03-4				WO-674639	8673494	TUBE, S, seamless, pltd, 1/4 OD, 0.030 thkns of wall, dev lgh 27 1/2 in (windshield wiper left) (use TUBING, 44-T-5080-15)	1	ea
22-1				WO-673622		CLIP, clamp, S, zn-pltd, 1/4 in (hole for No. 10 screw) (windshield wiper hoses)	14	ea
	H1	H101-0125591	012-5591		125591	SCREW, tapping, rd-hd, gimlet-pt, sh-met-thd, S, cd or zn-pltd, No. 10 (0.190) x 1/2 (superseded by SCREW, H101-0161895)	10	ea
	H1	H101-0161895	5305-016-1895		161895	SCREW, TAPPING, THREAD FORMING, cross-recess-pan-hd, sh-met-thd, S, cd or zn-pltd, No. 10 (0.190) x 1/2 (supersedes SCREW, H101-0125591)	10	ea

22-1			WO-674651		TUBE, ru, compounded, hv wall, $\frac{7}{32}$ in ID, wall thkns $\frac{3}{32}$ in, 8 in lg (tee to windshield wiper and center tube) (use TUBING, 33-T-233)	6	ea
			WO-674660		TUBE, ru, compounded, hv wall, $\frac{7}{32}$ in ID, wall thkns $\frac{3}{32}$ in, 14 in lg (windshield wiper right tube through cowl) (use TUBING, 33-T-233)	1	ea
			WO-674661		TUBE, ru, compounded, hv wall, $\frac{7}{32}$ in ID, wall thkns $\frac{3}{32}$ in, 18 in lg (windshield wiper left tube through cowl) (use TUBING, 33-T-233)	1	ea
			WO-800869	8673331	TUBE, intake manifold to vacuum pump, assy	1	ea
				142432	Composed of: 2 NUT 1 TUBE, S, seamless, pltd, $\frac{1}{4}$ OD, 0.030 thkns of wall (dev lgh 22 in) (use TUBING, 44-T-5080-15)		
03-4			WO-800870	8673330	TUBE, WINDSHIELD WIPER, vacuum pump to tee, assy	1	ea
				143432	Composed of: 2 NUT 1 TUBE, S, seamless, pltd, $\frac{1}{4}$ OD, 0.030 thkns of wall (dev lgh 16 $\frac{1}{2}$ in) (use TUBING, 44-T-5080-15)		
	H7	H007-0218065		44-T-5080-15	TUBING, cop, seamless, soft annealed, size $\frac{1}{4}$ in, 0.250 OD, 0.030 in thkns of wall	†	ea
	H7	H007-0878000		33-T-233	TUBING, ru, compounded, heavy wall, $\frac{7}{32}$ ID, $\frac{3}{32}$ in wall thkns	†	ea
			WO-674697	8673495	TUBING, S, seamless, pltd, $\frac{1}{4}$ OD, 0.030 thkns of wall, dev lgh 27 in (windshield wiper right) (use TUBING, 44-T-5080-15)	1	ea
22-1		G740-7375188	WH-131-76766 WO-673602	7375188	VALVE, shut-off, windshield wiper, assy (br)	1	ea
22-1			TRI-2631-1 WO-118558		VALVE, slide valve (windshield wiper motor)	1	ea
22-1		G502-0180653	TRI-8741-3 WO-118557	A327342	WASHER, felt, 0.189 ID, $\frac{3}{8}$ OD, $\frac{1}{32}$ thk (windshield wiper motor)	1	ea
22-1		G502-0482430	TRI-2617 WO-118560	A327340	YOKE, valve kicker (windshield wiper motor)	1	ea
					<b>2208.1 - SPEEDOMETER</b>		
			AC-1581439 WO-118116		CASING, speedometer shaft, assy (used on vehicles through serial No. 44029)	1	ea
			SW-418041 AC-1581449 WO-805130		CASING, speedometer shaft, assy (used on vehicles after serial No. 44029)	1	ea

(1) ILLUSTRATION NO.	(2) REFER- ENCE SYMBOLS	(3) ORDNANCE STOCK NO.	(4) FEDERAL STOCK NO.	(5) MFR'S PART NO.	(6) ORDNANCE PART NO.	(7) DESCRIPTION	(8) QUANTITY INCOR- PORATED IN UNIT	(9) UNIT OF ISSUE
<b>GROUP 22—MISCELLANEOUS ACCESSORIES</b>								
<b>—Continued</b>								
<b>2208.1—SPEEDOMETER—Continued</b>								
		G740-7697551		WO-642822	7697551	CLAMP, closed, cd or zn-pltd, $\frac{5}{8}$ , hole for No. 10 screw (speedometer cable to frame side member) (superseded by CLAMP, 120527)	1	ea
	H4	H004-0327730			120527	CLAMP, closed, cd or zn-pltd, $\frac{5}{8}$ , hole for No. 10 screw (supersedes CLAMP, G740-7697551)	1	ea
		G740-7375124		UC-49766 WO-800743	7375124	CLIP, open, $\frac{1}{4}$ in (double) (s-shape) (vacuum and wind-shield wiper tube)	2	ea
		G740-7527483		AC-1580786 WO-118117	7527483	CORE, speedometer shaft, assy (used on vehicles through serial No. 44029)	1	ea
		G744-7355830		SW-41809-57-1-2 WO-119212 AC-1581351	7355830	CORE, speedometer shaft, assy (used on vehicles after serial No. 44029)	1	ea
		G742-7539688	753-9688	AC-1568220 RC-482-N1 WO-118443	7539688	GASKET, ru, $\frac{1}{64}$ ID, $\frac{57}{64}$ OD, $\frac{3}{64}$ thk, speedometer shaft, drive end	1	ea
		G742-7539689	753-9689	AC-1568362 RC-483-N1 IHC-104054R1 WO-118444	7539689	GASKET, ru, flexible shaft, $\frac{15}{32}$ ID, $\frac{1}{64}$ OD, $\frac{1}{16}$ thk, speedometer shaft, head end	1	ea
		G740-7697553		SP-18-453-9 WO-801696	7697553	GEAR, driven, speedometer (used on vehicles through serial No. 44029)	1	ea
08-2		G758-8328480		SW-448361 WO-806718	8328480	GEAR, driven, speedometer (used on vehicles after serial No. 44029)	1	ea
		G740-7375064		WO-800803	7375064	GROMMET, ru, split, $\frac{5}{8}$ in ID (in dash for speedometer cable) (used on vehicles through serial No. 44029) (superseded by GROMMET, H102-0120013)	1	ea
	H2	H102-0120013			120013	GROMMET, split, ru, $\frac{5}{8}$ ID, $\frac{31}{32}$ in diam x $\frac{1}{16}$ in wide mounting groove (supersedes GROMMET, G740-7375064) (used on vehicles through serial No. 44029)	1	ea
		G503-7371195		WO-347002	7371195	GROMMET, ru, $\frac{11}{16}$ in ID (in dash for speedometer cable) (used on vehicles after serial No. 44029)	1	ea
		G740-7527480		AC-1581433 SW-446125-55 WO-801093	7527480	SHAFT, flexible, assy (includes CASING and CORE) (superseded by SHAFT, G744-7389881) (used on vehicles through serial No. 44029)	1	ea

		G744-7389881		SW-446125-57-1-2 AC-1581436 WO-805129	7389881	SHAFT, flexible, assy (includes CASING and CORE) (supersedes SHAFT, G740-7527480) (used on vehicles after serial No. 44029)	1	ea	
	H1	H001-4135661	012-0361		120361	NUT, PLAIN, HEXAGON, mach screw, S, cd or zn-pltd, No. 10 (0.190)-24NC-2	1	ea	
	H1	H001-5148271	012-0222		120222	SCREW, MACH, rd-hd, S, cd or zn-pltd, No. 10 (0.190)-24NC-2 x $\frac{5}{8}$	1	ea	
	H1	H001-7025621	012-0217		120217	WASHER, LOCK, med, S, cd or zn-pltd, No. 10 (0.190) (superseded by WASHER, 121801)	1	ea	
	H1	H001-7021681	012-1801		121801	WASHER, LOCK, S, cd or zn-fin, style No. 2, 0.365 OD, No. 10 screw size (supersedes WASHER, 120217)	1	ea	
		G740-7697552		SP-55-454-2 WO-801092	7697552	SLEEVE, speedometer driven gear (superseded by SLEEVE, G758-8328481) (used on vehicles through serial No. 44029)	1	ea	
08-2		G758-8328481		SP-55-454-3 SW-418991 WO-806719	8328481	SLEEVE, speedometer driven gear (supersedes SLEEVE, G740-7697552) (used on vehicles after serial No. 44029)	1	ea	
06-12; 18-3		G742-7760396		AC-1580260 SW-503A WO-118101	7760396	SPEEDOMETER, waterproof, assy	1	ea	
	H6				178911	TEE, flared tube, inverted, br, cd or zn-pltd, $\frac{1}{4}$ in tube, $\frac{1}{8}$ in female pipe side (windshield wiper line) (w/o NUTS)	1	ea	
<b>2210-VEHICULAR DATA PLATES</b>									
18-3		G740-7697562		WO-801820	7697562	PLATE, caution, vehicle road speed	1	ea	
18-3		G740-7697554	2540-769-7554	WO-800537	7697554	PLATE, fording, vent valve	1	ea	
	H1	H101-0128273	5305-012-8273		128273	SCREW, TAPPING, pan-hd, gimlet-pt, sh-met-thd, S, cd or zn-pltd, No. 6 (0.138) x $\frac{3}{8}$ in (superseded by SCREW, H101-0161790)	4	ea	
	H1	H101-0161790	5305-016-1790		161790	SCREW, TAPPING, THREAD FORMING, cross-recess-pan-hd, gimlet-pt, sh-met-thd, S, cd or zn-pltd, No. 6 (0.138) x $\frac{3}{8}$ in (supersedes SCREW, H101-0128372)	4	ea	
		G740-7697556		WO-801802	7697556	PLATE, identification (for vehicles w/o WINCH) (use through vehicle serial No. 34151)	1	ea	
				WO-802367		PLATE, identification (for vehicles w/o WINCH) (use through vehicle serial No. 34151)	1	ea	
				WO-802525		PLATE, identification (for vehicles w/o WINCH) (superseded by PLATE, G740-7410839)	1	ea	
		G740-7410839		WO-804255	7410839	PLATE, identification (for vehicles w/o WINCH) (supersedes PLATE, WO-802525)	1	ea	
		G740-7697557		WO-801803	7697557	PLATE, identification (for vehicles w/WINCH)	1	ea	



(1) ILLUSTRATION NO.	(2) REFER- ENCE SYMBOLS	(3) ORDNANCE STOCK NO.	(4) FEDERAL STOCK NO.	(5) MFR'S PART NO.	(6) ORDNANCE PART NO.	(7) DESCRIPTION	(8) QUANTITY INCOR- PORATED IN UNIT	(9) UNIT OF ISSUE	
<b>GROUP 22—MISCELLANEOUS ACCESSORIES</b>									
<b>—Continued</b>									
<b>2210—VEHICULAR DATA PLATES—Continued</b>									
18-3				WO-802368	8677081	PLATE, identification (for vehicles w/WINCH).....	1	ea	
				WO-802526		PLATE, identification (for vehicles w/WINCH).....	1	ea	
		G740-7412585		WO-804718	7412585	PLATE, identification (use after vehicle serial No. 34151)	1	ea	
		G740-7412584		WO-804719	7412584	PLATE, identification (use after vehicle serial No. 34151)	1	ea	
		G740-8328142		WO-807211	8328142	PLATE, identification (use after vehicle serial No. 34151)	1	ea	
				WO-807212		PLATE, identification (use after vehicle serial No. 34151)	1	ea	
				WO-808457		PLATE, identification (use after vehicle serial No. 34151)	1	ea	
		G740-8328143		WO-807216	8328143	PLATE, instruction (used on vehicles after serial No. 34151)	1	ea	
				WO-802633		PLATE, instruction (used on vehicles after serial No. 34151)	1	ea	
		G740-7418230		WO-804741	7418230	PLATE, instruction (used on vehicles after serial No. 34151)	1	ea	
		G740-7412582		WO-804739	7412582	PLATE, instruction (used on vehicles after serial No. 34151)	1	ea	
				WO-807245		PLATE, instruction (used on vehicles after serial No. 34151)	1	ea	
		G740-7412583		WO-802634	7412583	PLATE, mounting (used on vehicles after serial No. 34151)	1	ea	
		H1	H101-0161790	5305-016-1790		161790	SCREW, tapping, cross-recess-pan-hd, gimlet-pt, sh-met-thd, S, cd or zn-pltd, No. 6 (0.138)-18 x $\frac{3}{8}$	4	ea
			G740-7697555		WO-800766	7697555	PLATE, name, patent and serial number (less serial number)	1	ea
	H1	H101-0128273	5305-012-8273		128273	SCREW, TAPPING, pan-hd, gimlet-pt, sh-met-thd, S, cd or zn-pltd, No. 6 (0.138)-18 x $\frac{3}{8}$ (superseded by SCREW, H101-0161790)	4	ea	
	H1	H101-0161790	5305-016-1790		161790	SCREW, tapping, cross-recess-pan-hd, gimlet-pt, sh-met-thd, S, cd or zn-pltd, No. 6 (0.138) x $\frac{3}{8}$ (super-sedes SCREW, H101-0128273)	4	ea	
18-3		G740-7697561		WO-801819	7697561	PLATE, responsible agency (Ordnance Corps and Air Force only)	1	ea	
18-3		G740-7697563		WO-801821	7697563	PLATE, shifting instruction and publication data.....	1	ea	
18-3		G740-7697560		WO-801818	7697560	PLATE, vehicle servicing data.....	1	ea	

18-3		G740-7697559		WO-801805	7697559	PLATE, vehicle shipping data (used on vehicles w/WINCH)	1	ea
		G740-7697558		WO-801804	7697558	PLATE, vehicle shipping data (used on vehicles w/o WINCH)	1	ea
				WO-802372	8677082	PLATE, winch drive control (used only when WINCH is specified)	1	ea
	H1	H101-0128273	5305-012-8273		128273	SCREW, tapping, pan-hd, gimlet-pt, sh-met-thd, S, cd or zn-pltd, No. 6 (0.138)-18 x $\frac{3}{8}$ (superseded by SCREW, H101-0161790)	4	ea
	H1	H101-0161790	5305-016-1790		161790	SCREW, TAPPING, THREAD FORMING, cross-recess-pan-gimlet-pt, sh-met-thd, S, cd or zn-pltd, No. 6 (0.138)-18 x $\frac{3}{8}$ (supersedes SCREW, H101-0128273)	4	ea
	H1	H001-0932002	5320-010-9953		109953	RIVET, TUBULAR, oval-hd, br, $\frac{1}{8}$ x $\frac{1}{8}$ (used on vehicles after serial No. 34151) (plate mounting) (indent plate (4); service data plate (4); wt & dim plate (4); responsible agency plate (4); speed caution plate (4); shift inst plate (4))	24	ea
	H1	H101-0128273	5305-012-8273		128273	SCREW, TAPPING, pan-hd, gimlet-pt, sh-met-thd, S, cd or zn-pltd, No. 6 (0.190)-18 x $\frac{3}{8}$ (plate mounting) (superseded by SCREW, H101-0161790) (used on vehicles through serial No. 34151)	24	ea
	H1	H101-0161790	5305-016-1790		161790	SCREW, TAPPING, thd-forming, pan-hd, S, cd or zn-fin, No. 6 x $\frac{3}{8}$ long (supersedes SCREW, H101-0128273) (used on vehicles through serial No. 34151)	24	ea

THIS PAGE IS BLANK

## ALPHABETICAL INDEX

This index does not include standardized hardware or attaching or associated parts which are indented under the primary item and which are not otherwise listed in their own alphabetical order in the supply manual. Such parts are readily found by referring to the item which requires their use. To find the attaching parts for the starter switch, for example, locate the "SWITCH, starter" in this index and refer to referenced subgroup (0603), where the indented attaching parts for the switch (SCREW AND WASHER) will be found.

ITEM	SUBGROUP	ITEM	SUBGROUP
ABSORBER, shock .....	1604.1	BAR	
ACTUATOR, light switch .....	0607	Bumper .....	2101
ADAPTER		Tie, brake master cylinder .....	1204.1
Horn switch .....	0611	Tie, universal joint .....	0900
Power-take-off .....	2002.1	BASE	
Transmission main shaft bearing.....	0702.3	Distributor .....	0604.1
AMMETER .....	0607	Generator regulator .....	0602
ANTI-SQUEAK		Starter .....	0603
Fender to cowl side panel.....	1701	BATTERY, storage, dry charged.....	0612
Fuel tank .....	0306	BEARINGS	
Fuel tank hold-down .....	0306	Ball, transfer case (Output clutch shaft).....	0802.5
Fuel tank hold-down clamp .....	0306	Brake pedal shaft retainer bracket.....	1206
ARM		Bushing type, fuel pump .....	0302.1
Generator brush .....	{0601.1	Bushing type, spring shackle .....	{1601.1
Mirror .....	{0601.3	}1601.3	
Rocker, fuel pump .....	2202	Bushing type, starter .....	0603
Steering gear .....	0302	Bushing type, transfer case .....	0802.5
Windshield wiper .....	1401	Camshaft .....	0105.3
ARMATURE		Connecting rod .....	0104.2
Generator .....	{0601.1	Distributor .....	0604.1
Generator regulator .....	{0602.3	Engine clutch release .....	0202
Starter .....	0602	Engine heat control valve shaft .....	0108
	0603	Engine oil pump .....	0106.1
AXLE		Front and rear spring bracket.....	1501
Carburetor float level .....	0301	Front spring .....	1601.1
Front .....	1000	Generator .....	{0601.1
Rear .....	1100	}0601.3	
BAFFLE, transmission oil .....	0702.1	Hand brake operating lever .....	1201
BALL		Main, crankshaft .....	0102.2
Carburetor fuel intake .....	0301	Pilot, engine clutch .....	0201
Check, carburetor discharge pump .....	0301	Power-take-off .....	2002.1
Fulcrum, transmission gear shift lever.....	0704	Rear spring .....	1601.3
Poppet, power-take-off .....	2002.5	Roller, journal transfer countershaft.....	0802.3
Primer pump inlet connector .....	0311.1	Starter .....	0603
Primer pump outlet chamber check valve.....	0311.1	Steering gear .....	1401
Steering gear worm .....	1401	Steering knuckles front axle .....	1004
Universal joint .....	1006	Transfer case (speedometer drive gear).....	0802.7
BAND, winch drum .....	2001.1	Transmission .....	0702.1
		Transmission (idler gear) .....	0702.5
		Transmission (Main shaft rear).....	0702.3
		Transmission (main shaft second speed gear) 0702.3	
		Universal joint .....	0900
		Water pump .....	0504
		Winch drum .....	2001.1
		Winch shaft .....	2001.3

## ALPHABETICAL INDEX—Continued

ITEM	SUBGROUP	ITEM	SUBGROUP
BELLCRANK, steering gear.....	1401	BOX	
BELT, drive, fan and generator.....	0505	Battery .....	0612
BLADE		Battery, insulating .....	0612
Engine .....	0505	BRACE	
Windshield wiper .....	2202	Adjusting, generator belt tension .....	{0601.1
BLOCK		Fender .....	{0601.3
Adjusting, accelerator throttle rod.....	0312	Winch shaft .....	1701
Cylinder .....	0101		2001.3
Differential drive shaft .....	1102	BRACKET	
Starter .....	0603	Accelerator cross shaft .....	0312
BODY		Air cleaner extension .....	0304.1
Air cleaner .....	0304.1	Air cleaner support .....	0304.1
Blackout head light .....	0609.1	Axe clamp .....	1804.1
Carburetor .....	0301	Battery box to dash .....	0612
Carburetor choke valve .....	0301	Body .....	1501
Carburetor throttle valve .....	0301	Body panels .....	1804.1
Crankcase .....	0106.5	Brake line .....	1204.5
Engine oil pump .....	0106.1	Brake line tee .....	1204.5
Front, cowl .....	1804.2	Brake pedal shaft retainer .....	1206
Fuel pump .....	0302	Brake pedal spring .....	1206
Headlight beam indicator light .....	0607	Brake retracting spring .....	1501
Instrument cluster light .....	0607	Carburetor choke tube .....	0301
Oil filter .....	0106.2	Commutator end .....	0601.1
Primer pump .....	0311.1	Distributor .....	0604.1
Rear .....	1804.1	Drive end .....	0601.1
Spare gas can bracket .....	1808	Engine clutch control tube stud .....	0202
Truck .....	1800	Engine oil filter .....	0106.2
Water pump .....	0504	Engine support .....	1501
BOLT		Front and rear spring pivot .....	1501
Battery cable clamp .....	0612	Front and rear spring shackle .....	1501
Brake master cylinder outlet fitting .....	1204.1	Front brake hose .....	1501
Clamp, battery .....	0612	Fuel tank hold-down .....	{0306
Connecting rod .....	0104.2		)1804.1
Eye, brake master cylinder to pedal .....	1204.1	Generator regulator .....	0602
First aid kit support .....	1808	Hand brake .....	1201
Front spring .....	1601.1	Hanger, battery box .....	0612
Locking, piston pin .....	0104.1	Hold-down .....	1501
Rear spring .....	1601.3	Hood catch .....	1703
Shackle, front spring .....	1601.1	Horn .....	0611
Stop, front axle steering knuckle .....	1004	Instrument panel .....	0607
Transfer .....	0800	Lifting hook .....	1503
"U", universal joint bearing .....	0900	Mirror .....	2202
BOOT		Mounting, battery receptacle .....	0612
Accelerator pedal rod .....	0312	Mounting, engine .....	0100.2
Brake master cylinder .....	1204.1	Mounting, regulator .....	0602
Brake wheel cylinder .....	1204.3	Mounting, speedometer .....	0607
Power-take-off gear shift lever .....	2002.5	Muffler support clamp .....	0401
Transfer gear shift lever .....	1805	Power-take-off .....	2002.5
BOSS, weld, for tool compartment lid .....	1808	Radiator .....	1501
BOTTOM, battery box .....	0612	Receptacle cover .....	0613.1
BOW, top .....	2201	Rifle holder .....	1804.3
		Seat .....	1806
		Shock absorber .....	1501
		Spare gasoline can .....	1808
		Spare wheel .....	1504
		Stay cable, engine .....	0100.3
		Steering bellcrank .....	1501

## ALPHABETICAL INDEX—Continued

ITEM	SUBGROUP	ITEM	SUBGROUP
<b>BRACKET—Continued</b>		<b>CABLE—Continued</b>	
Support, battery box to instrument panel .....	0612	Receptacle, trailer coupling .....	0617
Support body .....	1501	Slave receptacle .....	0613.1
Support, crankcase ventilator oil filter pipe..	0106.5	Spark plug .....	0605
Support, vent system dual control .....	0304.5	Stay, engine .....	0100.2
Supporting, exhaust pipe extension .....	0401	Stop light switch .....	0608
Top stowage .....	1808	Tail light .....	0609.1
Vent system flexible hose to fender .....	0304.5	Winch drum .....	2001.1
Voltage regulator core resistor .....	0602	Wiring, circuit breaker .....	0613.1
Winch drum .....	2001.1		
Windshield .....	1804.3	<b>CAGE, front axle universal joint .....</b>	<b>1006</b>
<b>BRAKE</b>		<b>CAM</b>	
Hand .....	1201	Brake shoe anchor pin .....	1202
Service .....	1202	Distributor .....	0604.1
<b>BREAKER</b>		Steering gear .....	1401
Circuit		<b>CAMSHAFT .....</b>	<b>0105.3</b>
Generator regulator .....	0602	<b>CAP</b>	
Instrument panel .....	0607	Bearing, rear axle differential .....	1102
Miscellaneous .....	0608	Crankshaft main bearing .....	0102.2
<b>BRUSH</b>		Distributor .....	0604.1
Generator .....	{0601.1	Dust, propeller shaft, sleeve yoke .....	0900
	{0601.3	Dust, radio receptacle .....	0613.1
Starter .....	0603	Filler, brake master cylinder .....	1204.1
<b>BUCKLE, strap .....</b>	<b>1808</b>	Front axle case bearing .....	1002
<b>BUMPER</b>		Fuel pump diaphragm return spring .....	0302.1
Axle .....	{1601.1	Fuel tank filler .....	0306
	{1601.3	Horn button .....	0611
Hood top, windshield .....	1703	Primer pump outlet diaphragm .....	0311.1
<b>BUMPERETTE, rear .....</b>	<b>2101</b>	Radiator filler neck .....	0501
<b>BUSHING</b>		Rotation, exhaust valve .....	0105.1
Insulating resistor base .....	0602	Steering knuckle .....	1004
Insulating, starter .....	0603	Transfer output shaft front bearing .....	0801
Shock absorber .....	1604.1	Universal joint bearing .....	0900
Shock absorber mounting pin .....	1604.1	Wheel hub .....	1311
Winch drum .....	2001.1	Winch drum .....	2001.1
<b>BUTTON, horn .....</b>	<b>0611</b>	Winch shaft .....	2001.3
<b>CABLE</b>		<b>CAPACITOR</b>	
Battery to battery .....	0612	Distributor .....	0604.1
Battery to ground .....	0612	Generator regulator .....	0602
Battery to starter .....	0612	<b>CARBURETOR .....</b>	<b>0301</b>
Distributor .....	0604.1	<b>CARRIER, engine clutch release bearing .....</b>	<b>0202</b>
Distributor to spark plug .....	0605	<b>CASE</b>	
Engine clutch control lever .....	0202	Differential .....	{1002
Extension .....	0609.1		{1102
Fuel gauge to sending unit .....	0613.1	Transfer .....	0801
Generator regulator .....	0602	Transmission .....	0701
Hand brake .....	1201	Winch shaft .....	2001.3
Head light .....	0609.1	<b>CASING, speedometer shaft .....</b>	<b>2208.1</b>
Horn to ground .....	0613.1	<b>CATCH</b>	
Ignition switch filter to distributor .....	0615	Hood .....	1703
Instrument cluster to ignition switch .....	0613.1	Tool box lid .....	1808
Light blackout .....	0609.1	Windshield clamp .....	1804.3
Light blackout marker .....	0609.1		

ALPHABETICAL INDEX—Continued

ITEM	SUBGROUP	ITEM	SUBGROUP
<b>CHAIN</b>		<b>CONE</b>	
Frame, snap clip .....	1503	Tapered, transfer case (output shaft bearing) .....	0802.7
Fuel tank cap .....	0306	Wheel hub bearing .....	1311
Seat hinge pivot .....	1806		
Thumbscrew .....	2201	<b>CONE and ROLLERS</b>	
<b>CHECK, carburetor fuel intake .....</b>	<b>0301</b>	Differential case bearing .....	{1002
<b>CHOKE, generator regulator .....</b>	<b>0602</b>	Differential drive pinion bearing .....	1102
<b>CLAMP</b>		Differential (drive pinion inner bearing).....	1002
Axe .....	1804.1	Differential (drive pinion outer bearing).....	1002
Brake line .....	1204.5	King pin bearing .....	1004
Carburetor choke control conduit .....	0301		
Engine clutch control oil filter .....	0202	<b>CONNECTION, vent system flexible air tube....</b>	<b>0304.5</b>
Fuel tank hold down .....	0306		
Hand brake .....	1201	<b>CONNECTOR</b>	
Radiator hose .....	0503	Accelerator cross shaft .....	0312
Steering column .....	1401	Chassis wiring .....	0613.1
Steering knuckle tie rod .....	1401	Fuel line .....	0306
Tail pipe to body .....	0401	Housing blackout marker light .....	0609.1
Vent system .....	0304.5	Generator regulator .....	0602
Winch shaft .....	2001.3	Primer pump inlet check valve .....	0311.1
<b>CLEANER, air .....</b>	<b>0304.1</b>	Primer pump outlet .....	0311.1
<b>CLIP</b>		Primer tube to tee .....	0311.3
Accelerator spring .....	0312	Spark plug cable .....	0605
Brake line .....	1204.5	Starter .....	0603
Chassis wiring .....	0613.1	Trailer couplings .....	0617
Engine clutch pressure spring .....	0202	Vent system .....	0304.5
Front spring .....	1601.1		
Fuel line .....	0306	<b>CONTACT</b>	
Hand brake .....	1201	Circuit breaker .....	0602
Lifting hook snap .....	1503	Light switch, auxiliary switch .....	0607
Rear spring .....	1601.3		
Seat .....	1806	<b>CONTROL</b>	
<b>CLUSTER, instrument .....</b>	<b>0607</b>	Choke .....	0312
<b>CLUTCH</b>		Dual, vent system .....	0304.5
Pressure plate .....	0201	Manual conduit and core .....	0312
Starter .....	0603		
Winch drum .....	2001.1	<b>CORE, speedometer shaft .....</b>	<b>2208.1</b>
<b>COCK</b>		<b>COUNTERSHAFT</b>	
Drain, cylinder block .....	0101	Transfer .....	0802.3
Drain, radiator .....	0501	Transmission .....	0702.5
<b>COIL, ignition .....</b>	<b>0605</b>	<b>COUPLING, transfer case air vent line .....</b>	<b>0304.5</b>
<b>COIL SET, generator .....</b>	<b>0601.3</b>	<b>COVER</b>	
<b>COLLAR</b>		Axle housing .....	1001
Distributor .....	0604.1	Box, battery, insulating .....	0612
Generator armature drive end .....	0601.3	Brake master cylinder .....	1204.1
<b>COLLECTOR, oil, transmission countershaft gear .....</b>	<b>0702.5</b>	Distributor cap .....	0604.1
<b>CONDUIT</b>		Dust, auxiliary power receptacle .....	0613.1
Choke control .....	0312	Dust, radio receptacle .....	0613.1
Ignition switch filter to distributor cable.....	0615	Engine oil pump body .....	0106.1
Throttle control .....	0312	Floor .....	1805
		Flywheel housing .....	0103
		Fuel pump .....	0302.1
		Generator regulator .....	0602
		High beam light .....	0607
		Inspection, brake cylinder .....	1805
		Oil filter .....	0106.2
		Power-take-off .....	2002.5

ALPHABETICAL INDEX—Continued

ITEM	SUBGROUP	ITEM	SUBGROUP
COVER—Continued		DIAPHRAGM	
Power-take-off housing .....	2002.1	Carburetor metering rod .....	0301
Rear axle housing .....	1101	Carburetor pump .....	0301
Receptacle .....	0613.1	Fuel pump .....	0302
Sealing radio receptacle .....	0613.1	Primer pump .....	0311.1
Starter .....	0603	DIFFERENTIAL	
Steering gear .....	1401	Front axle .....	1002
Timing gear .....	0105.5	Rear axle .....	1102
Top .....	2201	DISK, clutch .....	
Trailer, connection receptacle .....	0617	DISTRIBUTOR .....	
Transfer case .....	0801	DOOR	
Transmission .....	0702.1	Blackout, head light .....	0609.1
Transmission control lever .....	0704	Blackout, marker light .....	0609.1
Transmission gear shift lever .....	0704	Blackout, tail and stop light .....	0609.1
Transmission inspection .....	1805	Cowl battery box .....	0612
Valve spring .....	0105.1	Folding .....	2201
Ventilating windshield .....	1804.3	Glove box .....	1808
Winch drum clutch housing .....	2001.1	Head light .....	0609.1
Winch drum gear housing .....	2001.1	Ventilating windshield .....	1804.3
Windshield wiper motor .....	2202	DRIVER, windshield wiper arm .....	
CRANKSHAFT .....	0102.1	DRUM	
CROSSMEMBER, frame .....	1501	Brake, winch .....	2001.1
CUP		Hand brake .....	1201
Air cleaner oil .....	0304.1	Wheel brake, front and rear .....	1311
Ball, steering gear .....	1401	Winch .....	2001.1
Brake master cylinder .....	1204.1	ECCENTRIC, adjusting, brake shoe .....	
Brake wheel cylinder .....	1204.3	ELBOW	
Differential case bearing .....	{ 1002	Fuel line .....	0306
	{ 1102	Ignition switch filter to distributor cable.....	0615
Differential drive pinion bearing .....	{ 1002	Mounting generator .....	0601.1
	{ 1102	Pipe, engine oil pressure unit .....	0610
Engine clutch pressure spring .....	0202	Pipe, vent system .....	0304.5
King pin bearing .....	1004	Priming, cylinder head .....	0311.3
Primer pump plunger .....	0311.1	ELEMENT	
Retaining, transfer case support insulator.....	{ 0800	Air cleaner .....	0304.1
	{ 1501	Fuel filter .....	0309
Transfer case (output shaft bearing).....	0802.7	Oil filter .....	0106.2
Wheel hub bearing .....	1311	END, tie rod .....	
CURTAIN		ENGINE .....	
Door .....	2201	EXPANDER, piston ring .....	
Rear .....	2201	EXTENSION	
Side .....	2201	Battery tray drain .....	0612
CUSHION		Exhaust pipe .....	0401
Body hold-down .....	1801	Floor .....	1805
Engine support .....	0100	EYELET, curtain fastener .....	
Generator regulator .....	0602	FACING, engine clutch .....	
Radiator to frame .....	0501	FASTENER, instrument panel .....	
Seat .....	1806	FENDER .....	
CYLINDER			
Brake master .....	1204.1		
Brake wheel .....	1204.3		
DEFLECTOR, air, radiator .....	0502		



ALPHABETICAL INDEX—Continued

ITEM	SUBGROUP	ITEM	SUBGROUP
FERRULE, ignition switch filter to distributor cable .....	0615	GASKET—Continued	
FILLER		Bell housing .....	0103
Bumper bar .....	2101	Blackout marker light, door .....	0609.1
Spare wheel .....	1504	Body, carburetor throttle valve .....	0301
Windshield .....	1804.3	Brake line tee .....	1204.5
FILTER		Brake master cylinder cover .....	1204.1
Blackout, tail light door .....	0609.1	Carburetor choke valve body to float body .....	0301
Engine oil .....	0106.2	Carburetor float needle valve seat .....	0301
Fuel .....	0309	Carburetor fuel intake strainer nut.....	0301
Generator regulator .....	0602	Carburetor pump strainer plug .....	0301
Ignition switch .....	0615	Crankcase ventilator .....	0106.5
FITTING		Cylinder head .....	0101
Brake master cylinder .....	1204.1	Differential bevel pinion oil seal .....	{1002 1102
Engine oil timing gear .....	0106.6	Distributor .....	0604.1
Tie rod .....	1401	Drain hole cover .....	1805
Transfer case (shift lever pivot pin) .....	1804	Engine intake and exhaust manifold .....	0108
Winch drive shaft hanger bearing .....	2001.3	Engine mounting plate .....	0105.5
FLANGE		Engine oil filter head .....	0106.2
Companion, transfer case output shaft .....	0802.7	Engine oil pan .....	0106.6
Drive, front axle shaft .....	1006	Engine oil pan drain plug .....	0106.6
Propeller shaft to transfer .....	0802.5	Engine oil pump .....	0106.1
Steering .....	1004	Engine oil pump body cover .....	0106.1
FLOAT, carburetor .....	0301	Engine oil pump, spring retainer .....	0106.1
FLYWHEEL .....	0103	Engine oil strainer support .....	0106.6
FORK		Exhaust pipe flange .....	0401
Engine clutch release .....	0202	Exhaust pipe to extension and extension to muffler flange .....	0401
Shifter, transfer case output clutch gear .....	0804	Flange, drive, axle shaft .....	1006
Shifter, transfer case output shaft sliding gear .....	0804	Fuel filter cover plate .....	0309
Shifter, transmission .....	0704	Fuel level sending unit .....	0610
FRAME		Fuel pump .....	0302
Chassis .....	1501	Fuel tank cap .....	0306
Generator .....	{0601.1 0601.3	Generator .....	{0601.1 0601.3
Hold-down, battery .....	0612	Generator regulator .....	0602
Seat .....	1806	Hand brake backing plate .....	1201
Starter .....	0603	Instrument panel .....	0607
Winch .....	2001.1	Light blackout marker .....	0609.1
Windshield .....	1804.3	Output shaft, transfer case .....	0802.5
FULCRUM, engine clutch release lever .....	0202	Power-take-off housing cover .....	2002.1
GAGE		Primer pump diaphragm cap .....	0311.1
Fuel .....	0607	Radiator filler neck cap .....	0501
Oil level, engine .....	0106.6	Rear brake grease protector .....	1202
Oil pressure .....	0607	Service headlight door .....	0609.1
Water temperature .....	0607	Spark plug .....	0605
GASKET		Speedometer cable .....	2208.1
Air cleaner .....	0304.1	Speedometer shaft .....	2208.1
Air cleaner element to upper body .....	0304.1	Starter .....	0603
Axle housing cover .....	{1001 1101	Steering gear housing .....	1401
		Steering knuckle oil seal .....	1004
		Tail light door .....	0609.1
		Thermostat housing .....	0503
		Timing gear cover .....	0105.5
		Transfer case .....	0801
		Transfer case output shaft, bearing cap oil seal, rear .....	0802.7
		Transfer to transmission .....	0800

ALPHABETICAL INDEX—Continued

ITEM	SUBGROUP	ITEM	SUBGROUP
<b>GASKET—Continued</b>		<b>GROMMET—Continued</b>	
Transmission .....	{0702.1	Trailer couplings electrical connector .....	0617
	{0702.5	Vent system dual control in dash .....	0304.5
Transmission drain hole cover .....	1805	Windshield, wiper motor .....	2202
Transmission gear shift lever housing .....	0704		
Transmission retainer bearing .....	0702.1	<b>GUARD</b>	
Transmission to transfer case .....	0701	Blackout driving light .....	2101
Valve spring cover .....	0105.1	Brake line .....	1204.5
Water pump to cylinder block .....	0504	Gas cap .....	2101
Winch drum .....	2001.1	Head light .....	2101
Windshield wiper motor .....	2202	Instrument cluster .....	0607
		Radiator .....	2101
<b>GATE, tail (also known as TAILGATE) .....</b>	<b>1803.1</b>	Tail light and trailer connection .....	2101
<b>GEAR</b>		<b>GUIDE</b>	
Differential .....	1002	Axle shaft .....	1006
Differential, side .....	1102	Primer pump diaphragm spring .....	0311.1
Drive, differential .....	1102	Valve stem .....	0105.1
Drive, generator oil slinger .....	0601.1		
Drive, speedometer, transfer case .....	0802.7	<b>HANDLE</b>	
Driven, camshaft .....	0105.5	Door .....	2201
Driven, engine oil pump .....	0106.1	Hand brake cable .....	1201
Main drive, power-take-off .....	2002.1	Receptacle cover .....	0613.1
Ring, flywheel .....	0103	Windshield wiper motor .....	2202
Sliding, power-take-off .....	2002.1		
Sliding, transfer case output shaft .....	0802.7	<b>HANGER, winch shaft .....</b>	<b>2001.3</b>
Sliding, transmission low and reverse .....	0702.3		
Speedometer .....	2208.1	<b>HARNES</b>	
Steering .....	1401	Generator to generator regulator .....	0613.1
Transfer case clutch .....	0802.5	Instrument panel .....	0607
Transfer input .....	0802.1	Wiring, light switch, front .....	0613.1
Transfer case output shaft .....	0802.7	Wiring, light switch, rear .....	0613.1
Transfer countershaft .....	0802.3	Wiring, stop light switch extension .....	0613.1
Transmission countershaft .....	0702.5	Wiring, voltage regulator .....	0613.1
Transmission input .....	0702.1		
Transmission reverse idler .....	0702.5	<b>HEAD</b>	
Transmission second speed .....	0702.3	Cylinder .....	0101
Winch drum .....	2001.1	Engine oil filter .....	0106.2
		Starter commutator end .....	0603
<b>GLAND, primer pump plunger stem .....</b>	<b>0311.1</b>		
<b>GLASS, windshield .....</b>	<b>1804.3</b>	<b>HEADS, generator end .....</b>	<b>{0601.1</b>
			<b>{0601.3</b>
<b>GENERATOR .....</b>	<b>{0601.1</b>		
	<b>{0601.3</b>	<b>HINGE</b>	
<b>GROMMET</b>		Accelerator pedal .....	0312
Battery cables through dash and battery		First-aid kit .....	1808
insulating boxes .....	0612	Hood .....	1703
Chassis wiring harness .....	0613.1	Radiator guard .....	2101
Choke and throttle controls through dash .....	0312	Tailgate .....	1803.1
Engine oil filter element .....	0106.2	Tool compartment lid .....	1805
Engine oil filter mounting .....	0106.2		
Fuel tank filler neck .....	0306	<b>HOLDER</b>	
Hand brake cable through dash .....	1201	Brush generator .....	0601.3
Head light body .....	0609.1	Distributor .....	0604.1
Light blackout marker .....	0609.1		
Power-take-off .....	2002.5	<b>HOOD .....</b>	<b>1703</b>
Primer tube .....	0311.3		
Speedometer cable .....	2208.1	<b>HOOK</b>	
Tail light socket .....	0609.1	Fuel tank hold-down strap .....	0306
		Lifting, engine .....	0100.1
		Winch cable .....	2001.1

**ALPHABETICAL INDEX—Continued**

ITEM	SUBGROUP	ITEM	SUBGROUP
<b>HORN</b> .....	0611	<b>KEY</b>	
<b>HOSE</b>		Axle shaft, rear .....	1104.1
Air cleaner line to oil filter line.....	0304.1	Camshaft drive gear .....	0105.5
Air cleaner to air intake pipe.....	0304.1	Power-take-off output shaft .....	2002.1
Air cleaner tube to carburetor .....	0304.1	Winch .....	2001.1
Brake line .....	1204.5	Winch worm brake drum .....	2001.1
Flexible, vent system air intake.....	0304.5	Winch hanger bearing shaft.....	2001.3
Fuel line to fuel pump .....	0306	<b>KICKER, valve, windshield wiper motor.....</b>	2202
Radiator water outlet .....	0503	<b>KNOB</b>	
Upper, radiator .....	0503	Choke control .....	0312
Water by-pass from water pump to cylinder head.....	0503	Fuel primer pump plunger .....	0311.1
Windshield wiper .....	2202	Shift lever, power-take-off .....	2002.5
<b>HOUSING</b>		Throttle control .....	0312
Carburetor meter rod diaphragm .....	0301	Transfer case gear shift lever.....	0804
Carburetor pump diaphragm.....	0301	Transmission gear shift lever.....	0704
Flywheel .....	0103	<b>LAMP</b>	
Front axle gear carrier .....	1001	Blackout marker and tail light .....	0609.1
Headlight .....	0609.1	Instrument panel and high beam light.....	0607
Light, blackout marker .....	0609.1	<b>LAMP-UNIT</b>	
Power-take-off .....	2002.1	Blackout driving light .....	0609.1
Rear axle gear carrier .....	1101	Head light .....	0609.1
Starter .....	0603	<b>LATCH</b>	
Steering gear .....	1401	Pintle .....	1503
Tail light .....	0609.1	Power-take-off .....	2002.5
Thermostat .....	0503	Ring .....	0612
Winch clutch .....	2001.1	<b>LEAD</b>	
Winch worm gear .....	2001.1	Generator connecting brush .....	0601.3
Windshield wiper motor .....	2202	Generator regulator .....	0602
<b>HUB</b>		Ground, engine .....	0615
Transmission second and high speed synchronizer .....	0702.3	<b>LENS</b>	
Wheel .....	1311	Blackout marker light door .....	0609.1
Winch drum .....	2001.1	Blackout tail light door .....	0609.1
<b>IMPELLER, water pump</b> .....	0504	Instrument panel and high beam light.....	0607
<b>INSERT</b>		Tail and stop light door .....	0609.1
Brake shoe guide .....	1204.3	<b>LEVER</b>	
Radio suppression .....	0615	Counterweight, engine heat control valve spring .....	0108
Steering gear arm shaft .....	1401	Distributor .....	0604.1
<b>INSULATOR</b>		Engine clutch control .....	0202
Battery cables .....	0612	Engine clutch pressure spring release.....	0202
Cable terminal .....	0613.1	Gear shift, transmission .....	0704
Carburetor throttle valve flange to manifold..	0301	Hand brake .....	1201
Generator .....	0601	Ignition switch .....	0607
Generator regulator .....	0602	Shift power-take-off .....	2002.5
Starter .....	0603	Shifting, winch clutch .....	2001.5
Transfer case support .....	0800	Starter clutch .....	0603
<b>JACKET, steering gear</b> .....	1401	Transfer case gear shift, direct and underdrive .....	0804
<b>JET</b>		Transfer case gear shift, front wheel drive....	0804
Carburetor metering rod .....	0301	<b>LEVER SHAFT, steering gear</b> .....	1401
<b>JOINT, universal, winch</b> .....	2001.3	<b>LID, tool compartment</b> .....	1808
<b>JOURNAL, universal joint</b> .....	0900		

ALPHABETICAL INDEX—Continued

ITEM	SUBGROUP	ITEM	SUBGROUP
<b>LIGHT</b>		<b>MARKER</b>	
Blackout marker .....	0609.1	Blackout light .....	0609.1
Door window pane .....	2201	Cable .....	0613.1
Head .....	0609.1	Circuit number .....	0617
Head, blackout .....	0609.1	MIRROR, rear view .....	2202
Head, service .....	0609.1	MOTOR, windshield wiper .....	2202
Head light high beam indicator pan.....	0607	MOUNTING, headlight sealed beam unit.....	0609.1
Instrument cluster .....	0607	MUFFLER, exhaust .....	0401
Side curtain and rear curtain.....	2201	NECK, fuel tank filler .....	0306
Tail and stop, blackout and service.....	0609.1	NIPPLE	
<b>LINE</b>		Hose, vent valve hose connection.....	0304.5
Brake .....	1204.5	Pipe, oil gage sending unit to cylinder block..	0610
Carburetor to fuel pump .....	0306	NOZZLE, primer cylinder head.....	0311.3
Flexible, engine oil filter .....	0106.6	NUT	
Flexible, fuel line to fuel pump .....	0306	Adjusting, hand brake lever.....	1201
Fuel, elbow to shut-off valve .....	0306	Axle shaft .....	0612
Fuel tank to elbow .....	0306	Battery cable clamp .....	0612
Fuel, tee to flexible connection .....	0306	Carburetor strainer .....	0301
Vent system .....	0304.5	Frame .....	1501
Windshield wiper .....	2202	Generator regulator .....	0602
<b>LINER</b>		Primer pump inlet connector .....	0311.1
Body sill .....	1801	Primer pump plunger rod packing.....	0311.1
Radiator guard .....	2101	Radio suppression .....	0615
<b>LINING</b>		Retaining, grommet .....	0613.1
Brake shoe .....	{1201	Retaining, trailer couplings connector	
	{1202	grommet .....	0617
Winch brake drum .....	2001.1	Weld, body cowl .....	1804.2
<b>LINK</b>		Weld, body panel .....	1804.1
Chain, winch cable .....	2001.1	Wheel bearing front axle .....	1311
Connector, accelerator .....	0312	Windshield wiper .....	2202
Drag, steering gear .....	1401	Wing, battery clamp .....	0612
Fuel pump .....	0302	OUTRIGGER, body .....	1501
Hand brake operating lever .....	1201	PACKING	
Repair, winch cable chain .....	2001.1	Commutator and drive end head.....	{0601.1
<b>LOCK</b>			{0601.3
Glove box door .....	1808	Crankshaft rear main bearing cap.....	0102.2
Light switch .....	0607	Drive end bearing inner retainer .....	0601.1
Pintle .....	1503	Drive end bearing outer retainer .....	0601.1
Tail gate .....	1803.1	Drive end head oil plug .....	0601.1
Transfer case gear shifter shaft .....	0804	Primer pump, plunger rod .....	0311.1
Valve spring retainer .....	0105.1	PAD	
Windshield .....	1804.3	Brake pedal .....	1206
<b>LOOM</b>		Draft, engine clutch pedal.....	0202
Fuel line .....	0306	Engine clutch pedal .....	0202
Vent system .....	0304.5	Insulator, blackout driving light support.....	2101
<b>LOOP</b>		Mounting, blackout marker light .....	0609.1
Footman .....	{1803.1	Mounting, headlight .....	0609.1
	{1804.1	PADDLE, windshield wiper motor.....	2202
	{1808	PAN	
	{2101	Floor .....	1805
Windshield .....	1804.3	Oil, engine .....	0106.6
<b>MANIFOLD</b> .....			
	0108		

## ALPHABETICAL INDEX—Continued

ITEM	SUBGROUP	ITEM	SUBGROUP
<b>PANE</b>		<b>PIVOT</b>	
Door, window .....	2201	Seat .....	1806
Side and rear curtain .....	2201	Top box .....	2201
<b>PANEL</b>		<b>PLATE</b>	
Body .....	1804.1	Backing, front and rear brake.....	1202
Body cowl .....	1804.2	Backing, hand brake .....	1201
Dash .....	1804.1	Blackout tail and stop light.....	0609.1
Floor .....	1805	Brake master cylinder .....	1204.1
Glove box .....	1808	Brake shoe anchor pin .....	1202
Instrument .....	1804.1	Cover, fuel pump .....	0302
Wheel house .....	1804.1	Dash panel .....	1805
<b>PEDAL</b>		Data, name, caution, instruction, etc .....	2210
Accelerator .....	0312	Distributor .....	0604.1
Brake .....	1206	End, fuel filter .....	0309
Engine clutch .....	0202	Engine, mounting, front .....	0105.5
Starter switch .....	0603	Engine, mounting, rear .....	0103
<b>PIN</b>		Floor .....	1805
Brake shoe anchor .....	1202	Floor, transmission .....	1805
Carburetor intake needle .....	0301	Flywheel housing .....	0103
Carburetor metering rod sleeve .....	0301	Fuel filter cover .....	0309
Cross, battery box lid stud .....	0612	Fuel filter upper end .....	0309
Dowel, crankshaft main bearing .....	0102.2	Fuel pump .....	0302.1
Drive, engine oil pump .....	0106.1	Fuel tank filler neck .....	1804.1
Front axle universal joint .....	1006	Generator .....	{0601.1 0601.3}
Fuel pump rocker arm .....	0302	Generator regulator .....	0602
Generator brush plate .....	0601.3	Ignition switch .....	0607
Generator oil slinger .....	0601.1	Latch .....	2201
Guide, winch drum .....	2001.1	Lock:	
Hinge, tool compartment lid .....	1808	Differential bevel gear screw .....	1002
Hinge, radiator guard .....	2101	Differential drive gear .....	1102
Hood hinge .....	1703	Transmission idler shaft and countershaft..	0702.5
King .....	1004	Motor heater cutout .....	1805
Lock, king pin .....	1004	Mounting, instrument panel .....	0607
Locking, differential pinion shaft .....	{1002 1102}	Power-take-off shift lever .....	2002.5
Pintle hook .....	1503	Power-take-off shift rod .....	1805
Piston .....	0104.1	Pressure, engine clutch .....	0201
Pivot, engine clutch pressure spring lever.....	0202	Radiator guard .....	2101
Pivot, seat .....	1806	Reinforcement, frame .....	1501
Pivot, transfer case gear shift lever.....	0804	Retaining, commutator end head bearing .....	0601.3
Power-take-off .....	2002.5	Retaining, drive end head bearing.....	0601.3
Retaining, chain .....	2201	Rub .....	2201
Tailgate hinge .....	1803.1	Shifting, transmission second and high speed synchronizer .....	0702.3
Transmission gear shift lever fulcrum ball...	0704	Skid, frame .....	1501
<b>PINION</b>		Spare wheel .....	1504
Differential, front axle .....	1002	Starter .....	0603
Differential, rear axle .....	1102	Steering column .....	1805
<b>PINTLE</b>		Tapping .....	1805
<b>PIPE</b>		Tapping, body .....	1804.1
Exhaust .....	0401	Tapping, hood hinge .....	1804.2
Oil filter, crankcase body .....	0106.5	Tapping, windshield bracket .....	1804.3
Tail, exhaust .....	0401	Throttle valve .....	0301
Vent system air intake .....	0304.5	Thrust, camshaft .....	0105.3
<b>PISTON</b>		Toe board .....	1805
Piston .....	0104.1	Tool compartment lid .....	1805
Brake master cylinder .....	1204.1	Transfer case bolt .....	1805
Brake wheel cylinder .....	1204.3	Transfer case lock .....	0802.3

## ALPHABETICAL INDEX—Continued

ITEM	SUBGROUP	ITEM	SUBGROUP
<b>PLATE—Continued</b>		<b>RACE</b>	
Transmission idler and countershaft.....	0702.5	Front axle universal joint.....	1006
Winch control .....	2001.5	Steering column bearing .....	1401
Windshield wiper motor .....	2202	Universal joint .....	0900
<b>PLUG</b>		Winch drum .....	2001.1
Carburetor, choke shaft .....	0301	<b>RADIATOR</b> .....	
Carburetor, throttle shaft .....	0301		0501
Chassis wiring .....	0613.1	<b>RAIL, top</b> .....	
Cylinder block .....	0101		2201
Distributor .....	0604.1	<b>RECEPTACLE</b>	
Drain, engine oil pan .....	0106.6	Auxiliary power .....	0613.1
Engine oil filter .....	0106.2	Body cowl .....	1804.2
Expansion, camshaft .....	0105.3	Distributor .....	0604.1
Floor pan .....	1805	Electric trailer coupling .....	0617
Flywheel housing starter bearing .....	0103	Generator regulator .....	0602
Generator drive end head .....	{ 0601.1	Generator wiring harness .....	{ 0601.1
	} 0601.3		} 0601.3
Generator regulator .....	0602	Radio .....	0613.1
Power-take-off .....	2002.1	Radio suppression .....	0615
Radio suppression .....	0615	<b>RECTIFIER, generator regulator</b> .....	
Rear axle air vent .....	1105.5		0602
Primer pump outlet check valve spring.....	0311.1	<b>REFLECTOR, reflex</b> .....	
Seat frame .....	1806		2202
Spark .....	0605	<b>REGULATOR</b>	
Starter .....	0603	Generator .....	0602
Steering gear drag link ball seat.....	1401	Voltage .....	0602
Steering knuckle .....	1004	<b>REINFORCEMENT</b>	
Taper transmission (interlock plunger hole)..	0704	Body cowl .....	1804.2
Transfer case .....	0801	Brace, fender .....	1701
Transfer case shifter shaft poppet ball spring	0804	Engine plate, rear .....	0103
Transmission filling and drain opening.....	0710	Frame .....	1501
Universal joint journal .....	0900	Pintle .....	1503
Vent, front axle .....	1005.5	Radiator outlet hose .....	0503
Winch drum .....	2001.1	Stove pipe opening .....	2201
<b>PLUNGER</b>		<b>RESISTOR</b>	
Interlock, transmission gearshift rail.....	0704	Generator regulator .....	0602
Poppet, winch control .....	2001.5	Instrument cluster .....	0607
Primer pump rod .....	0311.1	Light switch .....	0607
Starter switch .....	0603	<b>REST, foot, accelerator</b> .....	
<b>POINT SET, distributor</b> .....			0312
	0604.1	<b>RETAINER</b>	
<b>POWER PLANT</b> .....		Body cowl .....	1804.2
	0100.1	Carburetor throttle valve shaft seal.....	0301
<b>POWER-TAKE-OFF</b> .....		Door curtain .....	1804.3
	2002.1	Engine clutch auxiliary spring .....	0202
<b>PRECLEANER, air cleaner</b> .....		Engine clutch control tube spring .....	0202
	0304.1	Engine oil pump relief plunger spring.....	0106.1
<b>PULLEY</b>		Front axle universal joint shaft.....	1006
Drive, fan and generator .....	0102.1	Fuel pump diaphragm return spring .....	0302.1
Drive, fan and water pump .....	0505	Fuel pump screen .....	0302.1
Generator .....	{ 0601.1	Fuel pump valve .....	0302.1
	} 0601.3	Generator drive end head bearing .....	0601.1
<b>PUMP</b>		Glove box door lock .....	1808
Fuel and vacuum .....	0302	Grease, axle shaft .....	1311
Oil .....	0106.1	Power-take-off shift lever .....	2002.5
Primer .....	0311.1	Propeller shaft, universal joint	
Water .....	0504	journal gasket .....	0900
		Rear axle bearing .....	1104.1

ALPHABETICAL INDEX—Continued

ITEM	SUBGROUP	ITEM	SUBGROUP
<b>RETAINER—Continued</b>		<b>ROTOR</b>	
Rear axle shaft .....	1104.1	Distributor .....	0604.1
Seat .....	1806	Engine oil pump .....	0106.1
Spring shackle grease seal.....	{1601.1	Main light switch .....	0607
	1601.3	<b>SCREEN</b>	
Steering knuckle .....	1004	Fuel pump .....	0302.1
Thermostat .....	0503	Primer pump outlet .....	0311.1
Top to windshield .....	1804.3	<b>SCREW</b>	
Transfer, output shaft front bearing.....	0802.5	Adjusting:	
Transfer, output shaft rear bearing .....	0802.7	Carburetor throttle lever .....	0301
Transmission gear shift lever housing.....	0704	Hand brake shoe .....	1201
Valve spring .....	0105.1	Pitman shaft .....	1401
Winch drum .....	2001.1	Valve tappet .....	0105.2
Windshield wiper motor .....	2202	Winch drum .....	2001.1
<b>RING</b>		Carburetor idle adjustment .....	0301
Blocking, transmission second and		Distributor .....	0604.1
high speed synchronizer .....	0702.3	Focusing headlight lamp-unit .....	0609.1
Engine oil filter reinforcing .....	0106.2	Front axle differential .....	1102
Gear shift lever housing cover .....	1805	Front spring shackle .....	1601.1
Pintle hook .....	1503	Generator regulator .....	0602
Piston .....	0104.1	Rear axle differential .....	1102
Retaining:		Starter .....	0603
Distributor .....	0604.1	Thumb .....	2201
Service headlight lamp unit .....	0609.1	Windshield wiper motor .....	2202
Steering gear bearing .....	1401	<b>SEAL</b>	
Timing gear cover packing .....	0105.5	Air deflector to radiator .....	0502
Seat .....	1806	Body .....	1800
Snap:		Carburetor choke shaft .....	0301
Bearing transmission .....	0702.1	Carburetor idle adjusting screw .....	0301
Front axle .....	1006	Carburetor throttle shaft .....	0301
Propeller shaft, universal joint		Clutch release cable .....	0202
journal bearing .....	0900	Cowl battery box lid lock strap.....	0612
Transfer case clutch gear shaft bearing.....	0802.5	Distributor .....	0604.1
Transfer case output shaft thrust washer..	0802.5	Dust, engine clutch control tube.....	0202
Transmission second and high speed		Felt, differential drive pinion.....	1102
synchronizer hub .....	0702.3	Fuel tank drain plug and front floor pan.....	0306
Thumb screw chain .....	2201	Glove box door .....	1808
Tool box lid .....	{1805	Grease, power-take-off .....	2002.1
	1808	Grease, spring shackle .....	1601.1
<b>RISER, front to rear floor.....</b>	1805	Oil:	
<b>ROD</b>		Axle shaft, front .....	1006
Carburetor metering .....	0301	Axle shaft, rear .....	0102.1
Connecting .....	0104.2	Crankshaft .....	0102.1
Engine clutch release .....	0202	Differential drive pinion, front axle.....	1002
Folding door .....	2201	Differential drive pinion, rear axle .....	1102
Push, brake master cylinder .....	1204.1	Fuel pump .....	0302.1
Push, horn switch .....	0611	Generator drive end head .....	{0601.1
Radiator brace .....	0501		0601.3
Radiator support .....	0501	Light switch rotor shaft .....	0607
Throttle, accelerator .....	0312	Steering knuckle .....	1104
Tie, steering gear .....	1401	Transfer case (gear shift shaft).....	0804
<b>ROLLER</b>		Transfer case (output shaft, rear).....	0802.7
Transmission, countershaft gear bearing.....	0702.5	Transmission retainer .....	0702.1
Transmission, main drive gear bearing .....	0702.5	Wheel hub .....	1311
Universal joint bearing .....	0900	Power-take-off gear shift lever .....	1805
Winch drum .....	2001.1	Propeller shaft universal joint journal.....	0900
		Steering gear .....	1401
		Transfer case (output shaft, front).....	0802.5

## ALPHABETICAL INDEX—Continued

ITEM	SUBGROUP	ITEM	SUBGROUP
<b>SEAL—Continued</b>		<b>SHIELD</b>	
Water pump .....	0504	Air cleaner splash .....	0304.1
Winch drive shaft .....	2001.3	Brake master cylinder .....	1204.1
Winch drum .....	2001.1	Dust:	
Windshield wiper motor .....	2202	Differential .....	1102
<b>SEALER, presstite welding .....</b>	<b>1800</b>	Differential drive pinion .....	1002
<b>SEAT</b>		Drag link dust cover .....	1401
Ball, steering drag link .....	1401	Transfer case companion flange, front .....	0802.5
Driver and passenger .....	1806	Transfer case companion flange, rear .....	0802.7
Spring clip .....	{1601.1	Transfer case front yoke .....	0802.5
	}1601.3	Fan and generator drive pulley .....	0102.1
Steering jacket upper bearing spring .....	1401	Instrument panel light .....	0607
Transmission gear shift lever spring .....	0704	Splash, air cleaner .....	0304.1
Tube, brake wheel cylinder .....	1204.3	<b>SHIM</b>	
<b>SEGMENT, piston, oil control .....</b>	<b>0104.1</b>	Crankshaft .....	0102.1
<b>SHACKLE</b>		Differential bearing .....	1002
Front spring .....	1601.1	Differential rear axle .....	1102
Rear spring .....	1601.3	Engine oil pump plunger spring .....	0106.1
Lifting .....	1503	King pin bearing .....	1004
<b>SHAFT</b>		Rear axle shaft bearing .....	1104.1
Brake pedal .....	1206	Steering gear .....	1401
Carburetor choke assembly .....	0301	Transfer case output shaft rear bearing cap .....	0802.7
Carburetor throttle .....	0301	<b>SHOE</b>	
Cross, accelerator .....	0312	Brake .....	1202
Differential pinion .....	{1002	Generator pole .....	0601.3
	}1102	Hand brake .....	1201
Distributor .....	0604.1	<b>SLEEVE</b>	
Engine heat control valve .....	0108	Chassis wiring .....	0613.1
Engine oil pump .....	0106.1	Primer pump inlet connector .....	0311.1
Flexible, speedometer .....	2208.1	Primer pump outlet connector .....	0311.1
Front axle .....	1006	Speedometer driven gear .....	2208.1
Input, transmission .....	0702.1	Tail light socket .....	0609.1
Main, transmission .....	0702.3	Transmission second and	
Output, transfer case .....	{0802.5	high speed synchronizer .....	0702.1
	}0802.7	<b>SLINGER</b>	
Power-take-off .....	{2002.1	Crankshaft .....	0102.1
	}2002.3	Dust, transfer case companion flange and	
Propeller .....	0900	front yoke .....	0802.5
Rear axle .....	1104.1	Grease, rear brake .....	1202
Shifter, power-take-off .....	2002.5	Oil:	
Shifter, transfer case clutch gear fork .....	0804	Differential drive pinion .....	1102
Shifter, transfer case sliding gear fork .....	0804	Differential drive pinion bearing .....	1002
Shifter, transmission .....	0704	<b>SNUBBER, transfer case support insulator .....</b>	
Starter .....	0603	<b>0800</b>	
Steering arm .....	1401	<b>SOCKET</b>	
Transfer case clutch gear .....	0802.5	Door rod .....	2201
Transmission reverse idler gear .....	0702.5	Ignition switch filter to distributor cable .....	0615
Winch .....	2001.3	Side curtain .....	1804.1
Winch clutch shifting yoke .....	2001.5	Tail light .....	0609.1
Winch drum .....	2001.1	Top bow .....	2201
<b>SHEATH, axe .....</b>	<b>1804.1</b>	<b>SPACER</b>	
<b>SHELL</b>		Camshaft thrust plate .....	0105.3
Cable connector .....	0613.1	Clutch, winch drum .....	2001.1
Radio suppression .....	0615	Differential drive pinion bearing .....	1002
		Distributor .....	0604.1
		Fan and generator drive pulley shield .....	0102.1



## ALPHABETICAL INDEX—Continued

ITEM	SUBGROUP	ITEM	SUBGROUP
<b>SPACER—Continued</b>		<b>SPRING—Continued</b>	
Frame .....	1501	Retaining—Continued	
Front axle bumper .....	1604.1	Head light mounting unit .....	0609.1
Fuel pump link .....	0302	Service head light door gasket .....	0609.1
Gear camshaft .....	0105.5	Water pump bearing .....	0504
Generator drive end .....	{0601.1	Retracting:	
	0601.3	Accelerator pedal .....	0312
Lift hook, frame .....	1503	Brake pedal .....	1206
Power-take-off .....	2002.1	Engine clutch pedal .....	0202
Spare wheel support .....	1504	Hand brake cable .....	1204.3
Steering gear .....	1401	Return, brake wheel cylinder piston .....	{1204.1
Transmission countershaft bearing .....	0702.5		1204.3
Transmission main shaft bearing .....	0702.3	Return, primer pump diaphragm .....	0311.1
Windshield wiper .....	2202	Seat .....	1806
<b>SPEEDOMETER</b> .....	2208.1	Starter .....	0603
<b>SPINDLE, front axle wheel bearing</b> .....	1004	Steering gear .....	1401
<b>SPOOL, parachute</b> .....	1503	Spark plug cable .....	0605
<b>SPRING</b>		Steering knuckle oil seal .....	1004
Accelerator pedal hinge .....	0312	Toggle air cleaner .....	0304.1
Brake pedal shank draft pad .....	0202	Transfer case gear shift lever .....	0804
Brake pedal shank pad .....	1206	Transfer case shifter shaft poppet ball .....	0804
Brake shoe retracting .....	1202	Transmission gear shift shaft poppet ball ...	0704
Carburetor choke valve shaft return .....	0301	Transmission support gear shift lever.....	0704
Carburetor idle adjustment screw .....	0301	Transmission synchronizer .....	0702.3
Carburetor intake needle .....	0301	Valve .....	0105.1
Carburetor metering rod .....	0301	Winch drum .....	2001.1
Carburetor pump .....	0301	Windshield wiper motor .....	2202
Coil, light switch contact bracket .....	0607	<b>SPROCKET, power-take-off</b> .....	2002.1
Contact, instrument cluster gage resistor .....	0607	<b>STARTER</b> .....	0603
Distributor .....	0604.1	<b>STEM, primer pump plunger</b> .....	0311.1
Engine clutch auxiliary pressure .....	0202	<b>STOP</b>	
Engine clutch control tube .....	0202	Accelerator throttle wire .....	0312
Engine clutch pressure .....	0202	Engine heat control valve spring .....	0108
Engine clutch release bearing carrier .....	0202	<b>STRAINER</b>	
Engine heat control valve .....	0108	Body .....	1804.1
Engine oil filter .....	0106.2	Carburetor fuel intake .....	0301
Engine oil pump .....	0106.1	Carburetor pump .....	0301
Front .....	1601.1	Engine oil .....	0106.6
Fuel pump diaphragm .....	0302.1	<b>STRAP</b>	
Fuel pump rocker arm .....	0302.1	Axe .....	1808
Generator brush arm .....	{0601.1	Battery box .....	0612
	0601.3	Fuel tank hold-down .....	0306
Generator regulator .....	0602	Ground, generator regulator .....	0602
Hand brake .....	1201	Lock, axle drive gear screw .....	1002
Pintle hook latch .....	1503	Shovel .....	1808
Piston return, brake master cylinder .....	1204.1	Spare gas can .....	1808
Piston return, front wheel cylinder .....	1204.3	Stove pipe flap .....	1808
Piston return, rear wheel cylinder .....	1204.3	Support dash to instrument cluster guard ...	0607
Poppet, power-take-off .....	2002.5	Top bow stowage .....	1808
Poppet, winch control .....	2001.5	Top, hold-down .....	1808
Primer pump inlet check valve ball .....	0311.1	Top, stowage .....	1808
Primer pump outlet check valve ball .....	0311.1	Vent system .....	0304.5
Rear .....	1601.3	<b>STRIKER, glove box door</b> .....	1808
Receptacle cover .....	0613.1		
Retaining:			
Blackout head light sealed beam unit .....	0609.1		

ALPHABETICAL INDEX—Continued

ITEM	SUBGROUP	ITEM	SUBGROUP
<b>STUD</b>		<b>TERMINAL—Continued</b>	
Ball, engine clutch control tube .....	0202	Intervehicle receptacle .....	0617
Curtain .....	2201	Starter switch .....	0603
Cylinder block .....	0101	Straight chassis wiring .....	0613.1
Flywheel housing .....	0103	Voltage regulator cable to starter .....	0613.1
Instrument cluster mounting plate .....	0607	<b>THERMOSTAT, water temperature .....</b>	
Mounting, instrument panel wiring harness....	0607	0503	
Spare wheel .....	1504	<b>THROWER</b>	
Starter switch terminal .....	0603	Oil:	
Wing .....	0612	Generator drive end head .....	
<b>SUMP, engine oil filter .....</b>		0601.1	
0106.2		<b>TIP, strap end .....</b>	
<b>SUPPORT</b>		1808	
Battery .....	1501	<b>TIRE, pneumatic, wheel .....</b>	
Battery inner .....	0612	1313	
Blackout marker light socket .....	0609.1	<b>TRANSFER .....</b>	
Bell housing seal .....	0202	0800	
Body .....	1804.1	<b>TRANSMISSION .....</b>	
Cylinder block .....	0103	0700	
Engine oil strainer .....	0106.6	<b>TRAY, battery box .....</b>	
Generator brush plate .....	0601.3	0612	
Generator mounting .....	0601.1	<b>TRIM, seat .....</b>	
Generator regulator .....	1501	1806	
Oil gage sending unit .....	0610	<b>TUBE</b>	
Spare wheel .....	1504	Brake line .....	
Starter .....	0603	1204.5	
Vent system air intake hose .....	0304.5	Carburetor low speed jet .....	
<b>SWITCH</b>		0301	
Dimmer .....	0608	Cross, frame .....	
Horn .....	0611	1501	
Ignition .....	0607	Drain, battery box .....	
Light .....	0607	0612	
Starter .....	0603	Fuel line .....	
Stop light .....	0608	0306	
<b>SWIVEL</b>		Hand brake ratchet .....	
Crankcase body .....	0106.5	1201	
Ventilation valve system .....	0304.5	Pneumatic tire .....	
<b>SYNCHRONIZER, transmission second and</b>		1313	
<b>high speed .....</b>		Primer to connector .....	
0702.3		0311.3	
<b>TANK</b>		Primer tee to elbow .....	
Fuel .....	0306	0311.3	
Supply, brake master cylinder .....	1204.1	Propeller shaft .....	
<b>TAPPET, valve .....</b>		0900	
0105.2		Steering gear .....	
<b>TEE</b>		1401	
Brake line .....	1204.5	Vent system .....	
Flywheel housing .....	0103	0304.5	
Primary, cylinder head .....	0311.3	Vent system rain deflector to hose .....	
Vent system .....	0304.5	0304.5	
Windshield wiper .....	2202	Windshield wiper .....	
<b>TERMINAL</b>		2202	
Battery post, negative .....	0612	<b>UNIT</b>	
Battery post, positive .....	0612	Sending:	
Chassis wiring cable .....	0613.1	Fuel gage .....	
Generator regulator .....	0602	0610	
<b>TANK</b>		Oil pressure gage .....	
Fuel .....	0306	0610	
Supply, brake master cylinder .....	1204.1	Water temperature gage .....	
<b>TAPPET, valve .....</b>		0610	
0105.2		<b>VALVE</b>	
<b>TEE</b>		Bleeder, brake wheel cylinder .....	
Brake line .....	1204.5	1204.3	
Flywheel housing .....	0103	Carburetor needle .....	
Primary, cylinder head .....	0311.3	0301	
Vent system .....	0304.5	Check, brake master cylinder .....	
Windshield wiper .....	2202	1204.1	
<b>TERMINAL</b>		Check, primer pump inlet .....	
Battery post, negative .....	0612	0311.1	
Battery post, positive .....	0612	Control, crankcase ventilator .....	
Chassis wiring cable .....	0613.1	0106.5	
Generator regulator .....	0602	Engine heat control .....	
<b>TANK</b>		0108	
Fuel .....	0306	Engine oil pump relief .....	
Supply, brake master cylinder .....	1204.1	0106.1	
<b>TAPPET, valve .....</b>		0302	
0105.2		Fuel pump .....	
<b>TEE</b>		0306	
Brake line .....	1204.5	Fuel shut-off .....	
Flywheel housing .....	0103	0306	
Primary, cylinder head .....	0311.3	Intake and exhaust .....	
Vent system .....	0304.5	0105.1	
Windshield wiper .....	2202	Relief, front axle .....	
<b>TERMINAL</b>		1005.5	
Battery post, negative .....	0612	Relief, rear axle .....	
Battery post, positive .....	0612	1105.5	
Chassis wiring cable .....	0613.1	Ventilator .....	
Generator regulator .....	0602	0304.5	
<b>TANK</b>		Windshield wiper .....	
Fuel .....	0306	2202	
Supply, brake master cylinder .....	1204.1	<b>VENT, fuel filter air .....</b>	
<b>TAPPET, valve .....</b>		0309	
0105.2			

ALPHABETICAL INDEX—Continued

ITEM	SUBGROUP	ITEM	SUBGROUP
<b>WASHER</b>		<b>WASHER—Continued</b>	
Brake master cylinder .....	1204.1	Wheel bearing .....	1311
Brake pedal shaft .....	1206	Windshield wiper motor .....	2202
Brake pedal shank draft pad .....	0202	<b>WEATHERSEAL, windshield</b> .....	1804.3
Brake pedal shank pad .....	1206	<b>WEATHERSTRIP</b>	
Brush arm generator .....	0601.3	Cowl battery box lid .....	0612
Curtain fastener .....	2201	Tool compartment lid .....	1808
Distributor .....	0604.1	Windshield .....	1804.3
Engine clutch control tube .....	0202	<b>WEIGHT</b>	
Engine clutch pedal shaft .....	0202	Carburetor pump discharge ball check .....	0301
Engine heat control valve spring.....	0108	Starter governor .....	0604.1
Felt, light switch rotor shaft .....	0607	<b>WHEEL</b>	
Filter plate to fuel tank .....	0309	Steering .....	1401
Front axle .....	1006	Truck .....	1311
Fuel pump link spacer .....	0302	<b>WICK, oil distributor</b> .....	0604.1
Generator .....	0601.1	<b>WINCH</b> .....	2001.1
Instrument panel mounting stud .....	0607	<b>WINDING, generator field</b> .....	0601.3
Mounting, harness .....	0607	<b>WINDSHIELD</b> .....	1804.3
Power-take-off .....	2002.1	<b>WORM</b> .....	2001.1
Primer pump plunger stem cup .....	0311.1	<b>YOKE</b>	
Propeller shaft sleeve yoke .....	0900	Engine clutch control cable .....	0202
Rear axle shaft .....	1104.1	Flange propeller shaft .....	0900
Sealing, fuel tank gage to fuel tank .....	0610	Front propeller shaft to transfer .....	0802.5
Starter .....	0603	Power-take-off .....	2002.5
Thrust:		Propeller shaft .....	1102
Crankshaft .....	0102.1	Propeller shaft front axle .....	1002
Differential .....	1102	Sleeve, propeller shaft .....	0900
Differential pinion .....	1002	Starter .....	0603
Differential side gear .....	1002	Winch control .....	2001.5
Transfer case countershaft gear .....	0802.3	Windshield wiper motor .....	2202
Transfer case output shaft .....	0802.7	<b>ZIPPER, curtain, door</b> .....	2201
Transmission countershaft .....	0702.5		
Universal joint .....	1006		
Transfer (case support mounting) .....	0800		
Transmission countershaft bearing .....	0702.5		
Water pump seal .....	0504		



## ORDNANCE AND MANUFACTURERS' PART NUMBER INDEX

This index is prepared in strict numerical sequence; that is, all letters or dashes prefixed, suffixed, or interspersed in the numbers are disregarded. For instance: WG-T90A54A is in sequence as 9054, but the complete number, including the manufacturer's symbol as the prefix, is shown in the listing. All ordnance numbers appear without any symbol prefix. Ordnance standard part numbers are not included generally in this index because they refer to standard items which may appear in various groups or already have a common application in the supply system and are not necessarily peculiar within an index of this kind.

PART NO.	SUBGROUP	PART NO.	SUBGROUP	PART NO.	SUBGROUP
AL-VBC2	0602	RWM-39	2001.1	HLH-T60-O	1503
AL-IAU6	0604.1	AL-GHA39	0601.1	RWM-61	2001.1
AL-IAU10	0604.1	AL-IAU39	0604.1	AL-MCZ62	0603
DV-BU010	0311.1	AL-VBC40	0602	AL-IAU62	0604.1
AL-MCS12	0603	AL-GHA40	0601.1	AL-EWD62	0602
AL-MPB12A	0603	AL-GHA41	0601.1	RWM-62	2001.1
AL-IAH13	0604.1	AL-IAU41	0604.1	HLH-T62-OR	1503
SP-14W	1201	AL-MP41A	0603	HLH-T62-O	1503
AL-VRA15	0602	AL-VBC42	0602	HLH-T62-OL	1503
AL-GHA15	0601.1	AL-GHA42	0601.1	AL-MCS63	0603
AL-IAH15	0604.1	AL-IAU42	0604.1	AL-IAU63	0604.1
AL-VRA16	0602	AL-VBC43	0602	RWM-63	2001.1
AL-VRA17	0602	AL-VBC46	0602	AL-VBC64	0602
AL-VBC18	0602	AL-GHA46	0601.1	AL-MCZ64	0603
AL-MN18A	0603	AL-VRA46	0602	RWM-64	2001.1
AL-VBC19	0602	AL-MCS46A	0603	HLH-T64-O	1503
AL-MZ19A	0603	AL-VBC47	0602	AL-GHA65	0601.1
AL-IGS19S	0604.1	AL-GHA47	0601.1	RWM-65	2001.5
AL-IAU20	0604.1	AL-MCS47A	0603	AL-MCZ66	0603
WG-J2A1	0801	AL-MN47B	0603	RWM-66	2001.5
AL-VBC21	0602	DGM-DG48	0501	AL-MCS67	0603
WG-IAJ2A-1 1/2	0801	AL-MCZ49	0603	RWM-67	2001.1
AL-VBC22	0602	AL-IAU49	0604.1	HLH-T67-O	1503
WG-J2A-3	0802.5	RWM-51	2001.1	RWM-68	2001.1
AL-VBC23	0602	RWM-52	2001.1	AL-MCS69	0603
AL-IGE24	0604.1	AL-IAU52	0604.1	AL-MCZ69	0603
WG-J2A4	0802.7	RWM-53	2001.1	RWM-69	2001.1
AL-IAU24	0604.1	AL-GHA53	0601.1	AL-IGT69	0604.1
AL-IGE24S	0604.1	RWM-54	2001.5	RWM-70	2001.1
AL-VBC25	0602	AL-IAU54	0604.1	AL-MCZ70	0603
DV-PR25	0311.1	AL-MU54	0603	ACK-CN70S	0302.1
AL-IGB26	0604.1	AL-MU54C	0603	AL-MCZ71	0603
WG-AJ2A7	0802.7	AL-MU54L	0603	RWM-73A	2001.1
WG-J2A7	0802.7	AL-MU54D	0603	SP-S74	{1002
WG-J2A8	0802.7	AL-MU54E	0603		}1102
AL-IGH28	0604.1	AL-MU54B	0603	RWM-74A	2001.3
AL-IAU29	0604.1	RWM-55	2001.1	RWM-75	2001.3
AL-VBC30	0602	AL-IAT55	0604.1	SP-S75	{1002
AL-VBC31	0602	RWM-56	2001.1		}1102
DV-PR32	0311.1	AL-MCS57	0603	RWM-76	2001.3
RWM-33	2001.5	RWM-57	2001.1	RWM-77	2001.3
DV-PR3-4	0311.1	RWM-58	2001.5	AL-MCZ77	0603
AL-GAA35	0602	SP-S58	{1002	AL-MCS78	0603
AL-GHA35	0601.1		}1102	HLH-78	1503
DV-PR3-5	0311.1	RWM-59	2001.5	RWM-79	2001.3
AL-GHA36	0601.1	SP-S59	{1002	RWM-80	2001.3
DV-PR3-6	0311.1		}1102	RWM-81	2001.1
AL-GHA37	0601.1	RWM-60	2001.1	RWM-82	2001.1
AL-MU37G	0603	HLH-T60-AD	1503	RWM-83	2001.1
AL-GHA38	0601.1			AL-VRA84	0602

**ORDNANCE AND MANUFACTURERS' PART NUMBER INDEX—Continued**

PART NO.	SUBGROUP	PART NO.	SUBGROUP	PART NO.	SUBGROUP
RWM-87	2001.3	RWM-135	2002.1	SEPC-WAJ247	0104.1
RWM-88	{2001.3	RWM-137	2002.1	SEPC-WAJ247C	0104.1
	}2002.1	RWM-138	2002.1	SEPC-WAJ247D	0104.1
RWM-89	2001.1	RWM-140	2002.1	SEPC-WAJ247E	0104.1
AL-IG90	0604.1	RWM-141	2002.1	WG-J2A48A	0801
WG-T90A	0702.3	RWM-142	2002.1	WG-J2-49A	0802.5
ACD-91	1503	SP-145W	0802.7	DV-PR25-3	0311.1
AL-ML92A	0603	WO-A147	0800	WG-J2-57	0801
RWM-95A	2001.3	RWM-148	2001.3	AL-CB258	0609.1
RWM-95B	2001.3	RWM-151	2001.3	WG-J2-59	0802.7
RWM-96	2002.1	RWM-152	2001.5	AL-MZ259	0603
RWM-97	2002.1	RWM-153	2001.1	WG-J2-59A	0802.7
EAT-EXW97	0309	SP-S161	1104.1	WG-J2-59B	0802.7
AL-GT97	0604.1	RWM-166B	2001.1	SP-259R	1201
RWM-98	2001.1	ACK-DC167	0610	WG-J2-60	0802.5
RWM-99	2001.1	RWM-167B	2001.3	PEE-261	1800
AL-IGS99	0604.1	WO-A174	0202	AL-MZ262	0603
DV-BU100	0311.1	WO-A175	0202	AL-MZ271A	0603
RWM-100	2001.1	AL-VAD176	0602	AL-MZ272	0603
AL-VRP100K	0602	WO-A177	0202	AL-MCZ273	0603
AL-VRP100E	0602	WO-A178	0202	AL-MZ273	0603
AL-VRP100C	0602	WO-A179	0202	AL-MZ280	0603
AL-VRP100D	0602	WO-A180	0202	WG-J2A80A	0804
MRC-104KS	{2001.3	WO-A181	0202	AL-MZ281	0603
	}2002.1	WO-A185	1501	WG-J2A81A	0804
RWM-105A	2002.1	DV-BU200	0311.1	WG-J2A82	0804
RWM-SK108	2001.3	DV-BU210	0311.1	WG-J2-83	0804
RWM-SK109	2001.3	WG-J2A10A	0802.3	ABF-283	0202
AL-MAD110	0603	WG-J2A11	0802.1	AL-IGB284	0604.1
DV-BU110	0311.1	SEPC-WAJ211	0104.1	AL-IGB284S	0604.1
SP-S112	{1002	SEPC-WAJ211C	0104.1	WG-J2A85	0804
	}1102	SEPC-WAJ211D	0104.1	WG-J2-86	0804
SP-S113	{1002	SEPC-WAJ211E	0104.1	AL-MZ286	0603
	}1102	WG-J2A12	0802.7	ABF-287	0202
SP-S114	{1002	WG-J2-15	0802.5	AL-MZ290	0603
	}1102	WG-AJ2-16	0802.5	SEPC-WAJ291	0104.1
RWM-116	2002.1	WG-J2-16	0802.7	SEPC-WAJ292	0104.1
AL-VAD116A	0602	WG-J2-17	0802.5	EAT-K292	0105.1
RWM-117	2002.1	WG-J2-20	0804	SEPC-WAJ293	0104.1
AL-VAD117A	0602	WG-J2-21	0804	AL-MZ293A	0603
RWM-118	2002.5	AL-GAR221A	0601.1	AL-MZ294	0603
RWM-119	2002.1	WG-J2-23	0804	SEPC-WAJ294	0104.1
RWM-120	2002.5	SP-223V	1201	SEPC-WAJ295	0104.1
RWM-121	2002.5	WG-J2-24	0804	SEPC-WAJ295B	0104.1
RWM-122	2002.5	DV-PR22-4	0311.1	SEPC-WAJ295D	0104.1
RWM-123	2002.5	WG-J2-27	0802.7	AL-MZ295A	0603
RWM-124	2002.5	WG-J2-30	0802.7	AL-MZ296	0603
SP-124J	{0802.5	WG-J2-30	0802.7	SEPC-WAJ297	0104.1
	}0802.7	WG-J2B30	0802.3	SEPC-WAJ297C	0104.1
RWM-126	2002.5	WG-J2-32	0802.5	SEPC-WAJ297D	0104.1
RWM-127	2002.5	WG-J2-33	{0802.5	SEPC-WAJ297E	0104.1
RWM-128	2002.5		}0802.7	SEPC-WAJ298	0104.1
RWM-129	2002.5	WG-J2A35	0802.3	SEPC-WAJ298C	0104.1
RWM-130	2002.5	WG-J2-36	0802.3	SEPC-WAJ298D	0104.1
AL-IGB132	0604.1	SEPC-WAJ239	0104.1	SEPC-WAJ298E	0104.1
RWM-132	2002.1	SEPC-WAJ239C	0104.1	SEPC-WAJ304	0104.1
RWM-133	2002.1	SEPC-WAJ239D	0104.1	AL-IG313	0604.1
WG-AS1A33	1201	SEPC-WAJ239E	0104.1	DV-PR3-13	0311.1
RWM-134	2002.1	WG-J2-42	0804	DV-PR3-14	0311.1

**ORDNANCE AND MANUFACTURERS' PART NUMBER INDEX—Continued**

PART NO.	SUBGROUP	PART NO.	SUBGROUP	PART NO.	SUBGROUP
AL-MZ315A	0603	WO-A546	1501	AL-XA777	0601.1
DV-PR3-16	0311.1	RWM-556	2001.1	HP-779	1604.1
DV-PR3-17	0311.1	WO-A557	1204.1	WO-A782	1001
DV-PR3-19	0311.1	RWM-557	2001.1	AL-XA782	0602
DV-PR3-20	0311.1	RWM-558	2001.1	AL-XA783	0602
DV-PR3-21	0311.1	CAR-O-570S	0301	AL-XA790	0604.1
DV-PR3-22	0311.1	WO-A575	1601.1	WO-A792	1002
AL-MZ323	0603	RWM-577	2001.1	WO-A793	1002
DV-PR3-23	0311.1	LO-FC602	{0603	WO-A795	1002
DV-PR3-24	0311.1		{1204.1	WO-A797	1002
WG-AA33-1A	1201	LO-FC603	1204.1	WO-A798	1002
WG-A33-2	1201	SP-6B14	1201	WO-A814	1004
RZ-OR-33-6	1006	HLH-T62-O-1	1503	WO-A820	1004
WG-A33-7	1201	WO-A622	1401	WO-A821	1004
DV-PR3-50	0311.1	WO-A623	1401	WO-A824	1004
DV-PR3-55	0311.1	MLH-T63-0	1503	WO-A825	1004
RMC-A-365	0105.1	EAT-K630	0105.1	DV-PR8-27	0311.1
WG-AS3T90C	0700	WO-A633	1401	WO-A828	1004
FS-401	0608	WO-A635	1401	WO-A829	1004
WO-A405	0202	WO-A636	1401	WO-A831	1004
WIL-P-407A	0105.2	CAR-YS-637S	0301	WO-A832	1004
SP-417J	1201	SP-S638	{1002	WO-A832A	0800
SP-418J	1201		{1102	WO-A833	1004
SP-4B33	1201	TRI-648	2202	STN-AAX-0834	0501
SP-471SP	0804	TRI-65-2	2202	WO-A837	1401
WO-A475	1311	APB-657	0201	WO-A838	1401
WO-A476	1311	ABF-657	0201	SP-838W	1201
WO-A490	0900	WO-A659	0108	WG-T8B42	0704
WO-A495	1206	ABF-659	0202	WO-A844	1401
WO-A498	{0202	AL-IG676	0604.1	WO-A847	1401
	{1206	AL-IG680	0604.1	WO-A852	1004
RWM-500	2001.1	ABF-688	0202	SP-854D	0804
SW-502F	0607	EAT-R-697	0105.1	SEPC-863	0104.1
SW-503A	2208.1	AL-XA699	0602	WO-A864	1311
MDR-507	0106.1	AL-XA699A	0602	WO-A865	1311
RWM-511	2001.1	SP-710W	0802.7	WO-A866	1311
RWM-512	2001.1	SP-712W	0802.5	WO-A867	1311
RWM-513	2001.1	SP-715W	{0802.5	WO-A868	1006
WO-A513	{1601.1		{0802.7	WO-A870	1105.5
	{1601.3	AL-XA744S	0603	SP-872W	2002.1
RWM-514	2001.1	AL-XA744H	0601.1	WO-A875	1401
WO-A514	{1601.1	AL-XA744F	0601.1	WO-A877	{1004
	{1601.3	AL-XA744N	0602		{1202
RWM-515	{2001.1	AL-XA744A	0603	SP-884W	0802.3
	{2002.1	AL-XA744D	0603	WO-A887	0202
RWM-516	2001.1	SP-745-D	0804	WG-T90C1	0701
RWM-517	2001.1	AL-XA748	0604.1	WG-AT90A2	0702.3
RWM-519	2001.1	WO-A754	1202	WG-AC90C2C	0704
WO-A520	0802.1	WO-A760	1006	WG-T90A3	0702.5
RWM-520	2001.1	CU-F761	0106.2	WG-T90A6	0702.1
SEPC-535	0104.1	CU-F762	0106.2	WG-T90A7B	0702.3
SEPC-535D	0104.1	WO-A764	1002	WG-T90A8	0702.5
SEPC-535XC	0104.1	AL-XA766	0602	WO-A923	0301
SEPC-535C	0104.1	AL-XA767	{0601.1	WO-A940	0900
SEPC-535E	0104.1		{0602	WO-A941	0900
SEPC-535XB	0104.1	AL-XA767A	0602	WO-A943	0900
SEPC-535XD	0104.1	AL-XA770	0602	WO-A945	0900
WO-A544	1501	AL-XA776	0601.1	WO-A946	0900
WO-A545	1501			WO-A950	0900

**ORDNANCE AND MANUFACTURERS' PART NUMBER INDEX—Continued**

PART NO.	SUBGROUP	PART NO.	SUBGROUP	PART NO.	SUBGROUP
ANB-SK950	{0106.5	SP-S1056	1002	WO-A1434	0900
	{0304.5	AL-MCS1060	0603	WO-A1441	0103
WG-T9-50P	0802.1	AL-MCZ1060	0603	PEE-144.4	1800
WO-A-954	0801	AL-VRA1060A	0602	WO-A1445	1002
WO-A957	0802.5	AL-VBC-1061	0602	WO-A1446	{1002
SP-S957	1004	PR-B1061C	0104.1		{1102
WO-A959	0804	PR-B1062C	0104.1	WO-A1468	{0601.1
WO-A960	0804	AL-MCZ1065	0603		{0601.3
WO-A962	0804	AL-IAU1065	0604.1	WO-A1475	0306
WO-A963	0804	AL-IAU1066	0604.1	WO-A1488	1204.5
WO-A965	0804	AL-MCZ1069	0603	LO-FC1499	1204.3
WO-A966	0804	AL-MCZ1072	0603	WO-A1504	0804
WO-A967	0804	AL-MCZ1073	0603	CAR-1-508S	0301
ANB-SK971	{0106.5	AL-MCZ1075	0603	WO-A1509	0801
	{0304.5	AL-VBC-1080	0602	WO-A1511	0802.7
WO-A971	{0804	AL-MCS1083	0603	WO-A1515	1204.5
	{2002.5	WO-A1098	0615	CAR-15-44S	0301
WO-A975	0802.5	AL-IAU1100L	0604.1	WO-A1548	0101
WO-A976	0802.5	SP-S1103	2002.1		{0105.1
WO-A978	0802.5	WO-A1106	0802.5	WG-X1552	{0702.1
WO-A979	{0802.5	WO-A1111	0802.5		{0702.5
	{0802.7	AL-VAD1118	0602		{0704
WO-A980	{0802.5	WO-A1124	0102.1	WO-A1570	0604.1
	{0802.7	WO-A1134	{0802.5		{0607
WO-A982	0802.7		{0802.7	CNB-SN1610	{1804.1
WO-A983	0802.7	TRI-F1140	2202		{2101
WO-A984	0802.7	CAR-11B-41	0301	DV-PR16-11	0311.1
WO-A985	0802.7	AL-IGC1149	0604.1	SP-S1622	1006
WO-A987	0802.7	WO-A1150	1501	SP-S1640	1004
WO-A990	0802.7	WO-A1175	0312	WO-A1655	0604.1
WO-A991	0802.5	CAR-11B-79	0301	WO-A1663	0604.1
SP-991D	1201	WO-A1192	0503	WO-A1671	0604.1
AL-SP992	{0601.1	EAT-1205	0306	WO-A1672	0604.1
	{0601.3	WO-A1216	0501	WO-A1684	0604.1
WO-A992	0802.5	WO-A1217	0501	WO-A1687	0604.1
SP-992D	1201	WO-A1230	0106.2	PRQ-170-1	1808
WO-A996	0802.7	AL-MZ1242	0603	WO-A1719	1006
WO-A1001	0802.3	WO-A1252	{1601.1	WO-A1721	1006
AL-IAU1002L	0604.1		{1601.3	WO-A1724	1006
AL-IAU1004	0604.1	AL-MZ1265A	0603	WO-A1726	1006
AL-GHA1004S	0601.1	AL-MZ1267	0603	WO-A1727	1006
AL-GHA1012	0601.1	AL-MZ1269	0603	WO-A1729	1006
AL-VBC1016	0602	WO-A1273	0312	WO-A1737	1204.3
WO-A1028	{0802.5	WO-A1277	1401	WO-A1760	1401
	{0802.7	AL-MCS1278	0603	WO-A1764	0802.7
AL-VBC-1029	0602	AL-MBP1278	0603	WG-X1784	1201
AL-MCS1034S	0603	AL-MZ1279	0603	MNC-R1787D	0104.1
AL-MPB1034S	0603	AL-MZ1297	0603	MNC-R1788C	0104.1
AL-VBC1036A	0602	AL-PS1300	0603	SP-18-5-7	0802.3
AL-VBC-1040S	0602	AL-PS1310	0603	TRI-1863	2202
AL-GHA1044	0601.1	WO-A1378	1204.5	TRI-1895	2202
AL-VBC1044	0602	AL-X1379	0603	TRI-1900	2202
AL-MBP1044	0603	WO-A1379	0704	AL-IAU2004	0604.1
AL-IAU1046	0604.1	WO-A1382	0704	AL-MCZ2006F	0603
AL-IAU1048	0604.1	WO-A1410	0802.1	AL-GHA2006FT	0601.1
AL-GHA1052	0601.1	WO-A1425	0900	MSP-F2011	1501
AL-GHA1053	0601.1	WO-A1426	0900	AL-GHA2012S	0601.1
N&J-1055	1808	WO-A1427	0900	AL-MBP2012S	0603
AL-VBC-1055	0602			AL-MCS2012S	0603

**ORDNANCE AND MANUFACTURERS' PART NUMBER INDEX—Continued**

PART NO.	SUBGROUP	PART NO.	SUBGROUP	PART NO.	SUBGROUP
DV-PR20-13	0311.1	TRI-2617	2202	SP-34B23	1201
DV-PR20-15	0311.1	TRI-2620	2202	SP-34B24	1201
CAR-20-22	0301	SP-2-6-78X	0900	SP-34B25	1201
CAR-20-35	0301	LO-FE2693	1204.1	LO-FE3441	1204.1
AL-MBP2044	0603	SP-2-7-29	0900	LO-FC-3474	1204.1
AL-MCZ2050	0603	WER-X2732	1703	WO-A3549	1701
DV-PR20-51	0311.1	SP-27B62	1201		1804.2
AL-GHA2051S	0601.1	AL-RX2781	0604.1		1805
AL-GHA2052	0601.1	WG-X2825	1201	2101	
AL-IAU2058	0604.1	ABF-2825	0202	CAR-3-574S	0301
CAR-20-61	0301	WO-A2843	1701	LO-FC3587	1204.1
AL-IAU2064S	0604.1	CHV-S-2843	0108	EAT-ER3592	0106.1
AL-MCZ2073	0603	WO-A2844	1701	EAT-ER3675	0106.1
AL-IAU2076	0604.1	WG-X2846	1201	ONB-SK3851C	1808
AL-IAU2076L	0604.1	TI-S2883	0615	B&B-3874	0201
AL-MCS2079S	0603	LO-FC2922E	1204.1	CAR-39-10	0301
SP-20-B-81	1201	LO-FC2927	1204.1	CAR-39-11	0301
LO-FD2108	1204.1	WO-A2939	1804.1	SP-39Q20	0804
ONB-ST2110	1805	SMA-FLA2941	1501	AL-MCZ4001UT	0603
ONB-SN2113	1804.1	WG-X3004CT	1201	AL-CT4002	0605
	2101	AL-VBC3008	0602	AL-VBC4002UT	0602
CAR-2-123	0301	CAR-30-14	0301	AL-HX4004UT	0611
VG-2129	0106.6	CAR-30-20	0301	AL-IAU4004UT	0604.1
SPW-D2140A	0611	LO-FC3024B	1204.3	AL-IAU4006UT	0604.1
WG-J2A145	1201	AL-IGP3028	0604.1	AL-IAU4006AUT	0604.1
WG-J2-155	0804	AL-IGP3028FS	0604.1	PR-X4071A	0104.1
AL-IGG2168L	0604.1	WO-A3029	1804.1	PR-X4072A	0104.1
SP-2-1-68X	0802.7	AL-X3029	0604.1	PR-X4073A	0104.1
WG-J2-169	0802.7	CAR-30A37	0301	WO-A4116	2101
WG-J2-169A	0802.7	AL-X3055	0602	TRU-SA4126	0202
EAT-IE2183	0306	AL-VBC3070	0602	WO-A4127	1808
WO-A2190	1804.2	AL-VBC3071	0602	WO-A4128	1808
SP-002193	0800	AL-IAU3076L	0604.1	LO-FC4158	1204.3
CAR-21-95S	0301	WO-A3097	1701	ABF-4234	0202
WO-A2215	1804.3	WO-A3098	1701	APB-4278	0201
WO-A2220	1804.3	AL-X3099	0601.1	ABF-4278	0201
AL-MBP2238F	0603	SP-31P10	2002.5	ABF-4279	0202
AL-MZ2244	0603	LO-FE3111	1204.1	AVM-4280	0202
EAT-IE-2249	0501	PR-031E12A	0104.1	ABF-4280	0202
AL-MZ2260	0603	WO-A3136	1808	ABF-4282	0202
AL-MZ2267A	0603	WO-A3138	1808	ABF-4285	0202
AL-MZ2274	0603	WO-A3140	1808	ABF-4286	0202
AL-MBP2279	0603	WO-A3150	0106.2	ABF-4287	0202
ABF-2322	0202	AL-MCL3161A	0603	AL-MBP4301UT	0603
AL-MBP2340S	0603	WO-A3179	1701	ABF-4374	0201
EAT-ER2413	0106.1		1804.1	WO-A4413	0501
CAR-24-26	0301	SP-32P30	2002.5		1801
WIL-ER2471	0106.1	ZP-R32-63	0309	WO-A4414	0501
SP-2-4-88X	0802.5	WG-AA33-12	1201		1801
DV-PR25-18	0311.1	WG-IAA33-12	1201	WO-A4416	1801
PR-2532A	0104.1	WG-A33-17	1201	WG-4418N	0804
PR-B2532A	0104.1	WG-AA33-19	1201	EAT-ER4425J	0106.1
PR-B2533A	0104.1	WG-A33-26	1201	ABF-4458	0202
PR-B2534A	0104.1	WG-A33-27	1201	ABF-4459	0202
MAR-2539	0401	WG-A33-31	1201	ABF-4466	0202
RZ-VA2558	1006	WG-A33-32	1201	ARQ-4468	0202
WO-A2601	1808	WG-A33-33	1201	ABF-4468	0202
WO-A2602	1808	WG-A33-34	1201	ABF-4494	0202
		WG-A33-35	1201	ABF-4495	0201



**ORDNANCE AND MANUFACTURERS' PART NUMBER INDEX—Continued**

PART NO.	SUBGROUP	PART NO.	SUBGROUP	PART NO.	SUBGROUP
WG-4496K	0704	LO-FC5889K	1204.3	WO-A6796	0104.1
WG-4497	0704	SP-5962X	0802.5	WO-A6797	0104.1
WG-4498B	0704	LO-FC5995A	1204.3	WO-A6798	0102.2
WG-4559A	0702.1	LO-FC5997	1204.3	WO-A6877	0311.3
WG-4559B	0702.1	LO-FC5999A	1204.3	WO-A6878	0311.3
WG-4559C	0702.1	LO-FC6003	1204.3	WO-A6895	0304.5
WG-4559D	0702.1	LO-FC6010	1204.1	WO-A6919	0106.5
WG-4559E	0702.1	WO-A6084	1201	SP-6935X	1201
WG-4572D	0704	WO-A6112	1204.3	SP-6936X	1201
WG-4583	0704	WO-A6113	1204.3	WO-A6954	0311.3
EAT-ER4642J	0106.1	WO-A6114	1204.3	BX-70S25	1201
		WO-A6115	1204.3	CAR-7-147S	0301
WG-4646A	{0701	WO-A6116	1204.3	WIL-ER7154	0106.1
	{0801	AL-CB6134	0609.1	WIL-ER7196	0106.1
	{1004	B&B-6170	0201	EAT-ER7200	0106.1
WG-4648	0704	CAR-61-84	0301	WO-A7238	0106.6
WG-4653	0702.3	WO-A6276	1006	FS-7332	0608
WG-4682J	0702.3	WO-A6277	1006	LO-FC7370	1204.1
WO-A4690	0612	WO-A6278	1006	LO-FD7378A	1204.3
CAR-47-11	0301	WO-A6279	1006	EAT-ER7397	0106.1
WG-4714C	0802.5	WO-A6288	1006	SDH-SA-752-8	0503
WG-A4714C	0802.5	WO-A6289	1006	LO-FD7544A	1204.3
CAR-47-23	0301	WO-A6290	1006	FR-7631	0106.2
SP-475-2	0802.7	WO-A6291	1006	SP-7724X	1201
WG-4780	0802.7	WO-A6292	1006	CA-S-7733	1401
AL-GHA-4802BUT	0601.1	WO-A6293	1006	SP-7898X	1201
AL-GHA4802UT	0601.1	WO-A6294	1006	SP-7906X	0801
RC-481N1	0607	WO-A6295	1006	WO-A7967	0401
RC-482-N1	2208.1	EAT-ER6303	0106.1	EAT-ER8145	0106.1
RC-483-N1	2208.1	WO-A6305	1401	WG-G82-1/2C	0704
DV-PR4844	0311.1	GE-IGC6Z328	0605	SRM-E8240A	0611
GE-4860	0609.1	GE-IGC6Z329	0605	WO-A8289	1601.1
WO-A5105	0106.5	WO-A6359	{0202	WG-C84B12A	0704
CA-S-5144	1401		{1206	WG-T86D29	0702.5
CA-S-5145	1401		{0202	WG-T86-85	0702.5
MNC-R5153B	0104.1	WO-A6360	{1206	LO-FC8776	1204.3
DV-PR5186	0311.1		{1002	LO-FC8777C	1204.3
	{0105.1	SP-S638-1	{1102	LO-FC8778	1204.3
DGM-5201	{0702.1		{1002	WG-T88-13H	0702.3
	{0702.5	SP-S638-2	{1102	WG-T88-14F	0702.3
	{0704		{1002	WG-T88-15C	0702.3
FR-5241	0106.2	SP-S638-3	{1102	CA-S8819	1401
EAT-5286	0105.1		{1006	WG-T88-19E	0702.3
WO-A5335	1201	WO-A6439	1006	WO-A8834	0312
DV-PR5339	0311.1	SP-6507X	0802.7	WO-A8841	0802.7
EAT-ER5362	0106.1	SP-6510X	2002.5	WO-A8847	1201
		SP-6525X	1201	WO-A8855	1804.3
WO-A5449	{0304.5	SP-6526X	1201	WO-A8860	1201
	{0306	FM-GPW6549B	0105.2	WG-T90A10	0702.5
	{0613.1	CAR-6551S	0301	WG-AT90A10	0702.5
	{1201	DM-6579	0608	WG-AT90A11	0702.3
WO-A5450	0613.1	LO-FC6666	1204.1	WG-T90A12	0702.3
WO-A5565	0108	WG-R6A7-1/2	0802.5	WG-AT90A16	0702.1
CPH-BW5-625	0504	FM-GPW6727	0106.6	WG-T90A16	0702.1
WO-A5630	0304.1	WO-A6740	0800	WG-T90-20	0704
WO-A5632	0304.1	WO-A6746	0102.2	WG-T90C21	0704
LO-FC5727	1204.1	WO-A6747	0102.2	WG-T90-23	0704
LO-FC5778	1204.5	WO-A6748	0102.2	WG-T90C24	0704
MNC-R5792	0104.1	WO-A6794	0104.1	WG-T90A28A	0702.5
SP-5866X	0802.7				

**ORDNANCE AND MANUFACTURERS' PART NUMBER INDEX—Continued**

PART NO.	SUBGROUP	PART NO.	SUBGROUP	PART NO.	SUBGROUP
WG-T90A30	0702.5	LO-FC11432A	1204.1	WO-A15498	0401
WG-T90A32	0702.5	SP-11449	1102	CCL-15797	0612
WG-T90A33	0702.5	LO-FC11471	1204.1	SP-16067	1401
WG-T90A33A	0702.5	LO-FC11473A	1204.1	SP-16075	1002
WG-T90A35	0702.5	FR-11559	0106.2	FM-GPW16132	1701
WG-T90A48A	0702.5	FR-11580	0106.2	FM-GPW16159	1701
WO-A9052	0602	FR-11581	0106.2	CAR-163-21	0301
WG-T90A54A	0702.1	FR-11582	0106.2	CAR-163-28	0301
RC-908G1	0601.3	FR-11583	0106.2	CAR-163-46	0301
WG-T90-86	0704	CAR-116-13	0301	SP-16379	1002
WIL-MT9281	0105.2	SPR-11715	0615	SP-16383	1002
WO-A9314	0604.1	WO-A11775	2101	SP-16409	1001
WO-A9330	0802.7	WO-A11860	2202	LO-FD16534	1204.3
WO-A9332	1201	WO-A11861	2202	LO-FC16536	1204.3
WO-A9338	1201	WO-A11862	2202	SP-16866	1002
WO-A9339	1201	LO-FC11940	1204.1	SP-16964	1004
WO-A9341	0802.7	B&B-11966	0201	SP-16991	1004
SP-97Q14	0804	WO-A12085	1806	SP-16995	1004
AL-C9944	0609.1	CAR-122-64S	0301	SP-17015	1311
ABF-10000	0201	LO-FC12411	1204.3	SP-17016	1311
WO-A10052	1201	LO-FC12416	1204.3	SP-17017	1311
LO-FC10164	1204.1	LO-FC12496	1204.1	SP-17041	1004
EAT-ER10164	0106.1	CU-12567	0106.2	SP-17046X	1401
WO-A10231	1001	WO-A12863	2202	SP-17047X	1401
WO-A10269	0202	WO-A12935	0304.5	SP-17048X	1004
LO-FC10310	1204.3	RG-TA13077	1401	WO-A17083	0106.6
LO-FC10311	1204.3	RG-TA13084	1401	WO-A17122	0304.5
EAT-ER10317	0106.1	LO-FC13090	1204.3	SP-17133X	1004
WO-A10324	1201	LO-FC13091	1204.3	SP-17153	1006
WO-A10325	1201	LO-FD13092	1204.3	SP-17216	1006
WO-A10329	1201	LO-FD13093B	1204.3	SP-17218	1006
WO-A10330	1201	SP-13449	{ 1002	SP-17230	1006
WO-A10331	1201		{ 1102	SP-17232	1006
WO-A10332	1201	SP-13575	1002	WO-A17253	1201
WO-A10333	1201	CAR-136-98	0301	SP-17347	1401
WO-A10334	1201	CAR-136-99	0301	AL-CB17364	0609.1
WO-A10335	1201	SP-13810	1102	AL-CB17365	0609.1
WO-A10336	1201	LO-FN14034	1204.1	AL-CB-17371	0609.1
WO-A10337	1201	LO-FC14078	1204.1	SP-17377	1006
WO-A10338	1201	SP-14145	1401	WO-A17380	0304.5
WO-A10469	0802.1	TP-14RT224	1401	SP-17434	1001
DR-X10483	0603	TP-14RT225	1401	WO-A17445	0304.5
TRI-F105-10	2202	LO-FC14297	1204.1	SP-17476	1401
BX-1067S3	1202	CAR-14-359S	0301	SP-17483	1002
BX-1067S4	1202	CAR-145-70S	0301	AL-CB-17499	0609.1
LO-FC10945	1204.1	LO-FC14577	1204.1	SP-17509X	1104.1
LO-FC10946	1204.1	WG-1A4713	0802.7	SP-17535	1004
LO-FC11067	1204.1	GPC-14982	1401	SP-17537	1004
CAR-11B-108	0301	WO-A15044	0802.7	SP-17539X	1401
CAR-11B-125S	0301	WO-A15045	0802.7	SP-17540-X	1401
CAR-11B-134	0301	CAR-150-98	0301	SP-17555	1002
LO-FC11140	1204.1	SP-15099	1002	SP-17556	1002
CAR-11A142	0301	WO-A15283	0104.1	SP-17562	1102
CAR-11B-176	0301	SP-15358	1102	WO-A17614	0401
CA-S-11372	1401	SP-15365	1102	WO-A17615	0401
CA-S-11373	1401	WO-A15438	0106.2	SP-17716	1102
BX-1141S1	1202	WO-A15440	0106.2	SP-17717	1102
BX-1141S2	1202	WO-A15441	0106.2	WO-A17749	0304.5

**ORDNANCE AND MANUFACTURERS' PART NUMBER INDEX—Continued**

PART NO.	SUBGROUP	PART NO.	SUBGROUP	PART NO.	SUBGROUP
AL-GB17811	0609.1	AX-19525	0615	TRI-2630-3	2202
AL-CB17814	0609.1	AL-19X709	0603	TRI-2631-1	2202
WO-A17840	{0106.5	AL-19X888	0603	SP-2-67-11	0900
	{0304.5	SP-20068X	1401	TI-A26854	0615
WO-A17841	{0106.5	SP-20069X	1401	RG-026988	1401
	{0304.5	SP-20070X	1401	SP-2-76-17	0900
WO-A17842	{0106.5	SP-20071X	1401	TI-A27622	0605
	{0304.5	SP-20072X	1401	RG-028166	1401
WO-A17845	0304.5	SP-20075X	1101	CU-28648	0106.2
WO-A17854	0301	SP-20124X	1101	CU-28649	0106.2
SP-17857	1102	CAR-203-34S	0301	CU-28651U	0106.2
SP-17858	1102	CAR-203-35S	0301	SP-2-86-69	0900
AL-CB-17891	0609.1	WG-20366S	0704	CU-28717	0106.2
SP-18021X	1104.1	AL-1AU2064S2	0604.1	CU-28751U	0106.2
SP-18022X	1104.1	DV-PR20-700	0311.3	RG-029070	0611
SP-18023	1104.1	RG-021116	1401	SP-2-94-29	0900
SP-18024	1104.1	HAC-21208	0609.1	SP-2-95-39	0900
SP-18027-X	1102	HAC-21226	0609.1	SP-30020	1006
SP-18-12-1	0804	SP-2131-1	1000	SP-30068	1401
SP-18173X	1004	SP-2131-2	1000	SP-30070	1004
SP-18174	1004	HAC-21325	0609.1	SP-30071	1004
SP-18175	1204.5	SP-2-14-19	0900	SP-30101	1006
SP-18176	1204.5	SP-2149-1	1100	SP-30103	1006
SP-18188	1006	SP-2-15-13	0900	SP-30186	1102
MAE-18236	1604.1	SP-2-16-53	0900	SP-30187	{1002
MAE-18237	1604.1	SP-2166-1	1000		{1102
SP-18-24-1	0802.7	SP-2166-2	1000	SP-30188	{1002
SP-18-24-4	1201	SP-2167-1	1100		{1102
SP-18392X	1002	SP-2-16-93	0900	RG-032144	1401
SP-18-39-3	{0801	HAC-21780	0609.1	RG-032161	1401
	{1004	AL-CB-22078	0609.1	RG-032171	1401
SP-18396	1002	AL-CB-22084	0609.1	RG-033046	1401
SP-18429	1102	CAR-221-12	0301	RG-033047	1401
SP-18434	1101	SP-2-2-329	0900	RG-033092	1401
SP-18458	1102	SP-2-2-459	0900	KHW-33544	1311
AL-CB-18499	0609.1	TI-A22524	0605	KHW-33545	1311
AL-CB-18500	0609.1	SP-22-72-5	0804	KHW-33546	1311
AL-CB18506	0609.1	TI-A23377	{0605	KHW-33547	1311
AL-CB18509	0609.1		{0615	KHW-33552	1311
AL-CB18510	0609.1	SP-2-3-428X	0900	KHW-33553	1311
SP-18528X	1102	SP-2-4-108X	1002	MW-33596	1311
SP-18530	1102	SP-2-4-158X	1102	MW-33596A	1311
SP-18590	1204.5	SP-2-4-581	{1002	MW-33603	1311
SP-18592X	1004		{1102	MW-33604	1311
SP-18593	1004	PR-24928	0104.1	KHW-33702	1311
SP-18594	1004	PR-24929	0104.1	KHW-33705	1311
SP-18596X	1001	WG-J2-50-1/2	{0802.5	KHW-33706	1311
SP-18602	1204.5		{0802.7	KHW-33707	1311
SP-18633	1101	TI-A25061	0605	MSP-344-40	1501
SP-18634X	1101	TI-A25063	0605	MSP-344-47	1501
SP-18653	1104.1	TI-A25065	0605	RG-036006	1401
SP-18-66-1	0804	CAR-25-151S	0301	KHW-36567	1311
SP-18-66-7	0804	SP-2-5-198X	0900	TI-A36747	0605
SP-18-67-2	0804	SP-2-5-266	0900	KHW-36748	1311
SP-18-67-5	0804	SP-2-5-298X	0900	KHW-36749	1311
SP-18-8-17	0802.7	RG-026983	1401	TI-B36834	0613.1
SP-18-8-18	0802.7	SP-2-6-118X	0900	TI-A36860	0615
SP-18-8-19	0802.1	SP-2-6-181	0900	TI-A36970	0615
TRI-1900-1	2202	SP-2-6-261	0900	TI-A37317	0605

**ORDNANCE AND MANUFACTURERS' PART NUMBER INDEX—Continued**

PART NO.	SUBGROUP	PART NO.	SUBGROUP	PART NO.	SUBGROUP
TI-A37320	0605	TI-A56136	0605	WG-T906-1/2	0702.1
TI-B37654	0613.1		0615	WO-94896	1805
TI-A37708	0605	TI-A56178	0605	UC-98382	1204.5
SP-3-86-89	0900	BX-60363	1006	SP-98-851	0900
KHW-38707	1311	BX-60364	1006	FR-100918	0106.2
BX-39953	1202	BX-60409	1006	CAR-101-120	0301
BX-39956	1202	BX-60524	1006	CAR-101-142S	0301
BX-41545	1202	BX-60525	1006	CAR-101-149S	0301
BX-41876	1202	BX-60572	1006	CAR-101-160S	0301
BX-45771	1202	BX-60573	1006	CAR-101-221S	0301
BX-47661	1201	BX-60574	1006	FR-102153	0106.2
BX-47662	1201	BX-60576	1006	SP-10253-1-SF	0900
BX-47667	1201	BX-60577	1006	SCI-10-33644	0615
BX-47668	1201	BX-60578	1006	SP-10391-1SF	0900
BX-47669	1201	BX-60771	1006	WO-106740	0604.1
BX-47670	1201	BX-60772	1006	WO-108874	0604.1
BX-47674	1201	BX-60799	1004	WO-109455	0603
BX-47675	1201	BX-60847	1006	WO-113373	0900
BX-47676	1201	CAR-61-207	0301	WO-113387	0900
BX-47677	1201	CAR-61-304	0301	AL-CB114221	0609.1
BX-47678	1201	CAR-61-356	0301	WO-115652	0302.1
BX-47885	1201	CAR-61-357	0301	WO-115796	0104.1
BX-48069	1202	CAR-62-134	0301	WO-115797	0104.1
BX-48256	1201	CAR-62-156S	0301	WO-115798	0104.1
BX-48534	1201	TRI-63527	2202	WO-115905	0304.1
VG-49650	0102.1	RG-063983	1401	WO-115948	0105.2
UC-49766	2208.1	RG-064003	1401	WO-116003	0104.1
RG-502T16	1401	RG-064004	1401	WO-116023	0104.1
UC-51210	1806	CCS-65C-634	0105.2	WO-116024	0104.1
WO-51575	0802.7	AE-65705	0613.1	WO-116058	0104.1
WO-51662	0312	PR-72A367	0104.1	WO-116060	0104.1
		D72450	1201	WO-116061	0104.1
WO-51875	0105.1	TRI-75072	2202	WO-116108	0104.1
	0702.1	CAR-75-595S	0301	WO-116109	0104.1
	0702.5	WO-78316	0306	WO-116110	0104.1
	0704	UC-78502	2201	WO-116112	0104.1
WO-52725	0312	TRI-79513	2202	WO-116113	0104.1
	0612	TRI-809-14	2202	WO-116116	0104.1
WO-52835	1204.1	AL-8X3029	0602	WO-116117	0104.1
WO-52876	1002	AL-8X3090	0604.1	WO-116160	0301
	1102	TRI-87352	2202	WO-116162	0301
WO-52877	1002	TRI-8741-3	2202	WO-116163	0301
	1102	TRI-87453	2202	WO-116168	0301
WO-52878	1002	TRI-8894-2	2202	WO-116170	0301
	1102	TRI-8894-3	2202	WO-116175	0301
WO-52879	1002	TRI-8896-1	2202	WO-116177	0301
	1102	TRI-8896-4	2202	WO-116191	0301
WO-52880	1002	WG-T90C115	0704	WO-116205	0301
WO-52881	1002	WG-T90A-136A	0702.1	WO-116216	0301
WO-52883	0802.7	WG-T90A137A	0702.3	WO-116217	0301
WO-52979	1102	WG-AT90A140	0702.5	WO-116295	0103
WO-52980	1102	WG-T90A145B	0701	WO-116329	0302.1
WO-53057	1808	WG-T90C-148B	0704	WO-116330	0302.1
FR-5310-2	0106.2	WG-AT90A2-1/2	0702.3	WO-116332	0302.1
WO-53379	1201	WG-T90A2-1/2	0702.3	WO-116343	0302.1
WO-53538	1201	WG-IAT90A2-1/2	0702.3	WO-116344	0302.1
WO-53794	0612	EAT-ER90358	0106.1		
WO-53883	0304.1	EAT-ER90359	0106.1		
WG-T54A172A	0802.7	EAT-9036-5/8	0106.1		

**ORDNANCE AND MANUFACTURERS' PART NUMBER INDEX—Continued**

<b>PART NO.</b>	<b>SUBGROUP</b>	<b>PART NO.</b>	<b>SUBGROUP</b>	<b>PART NO.</b>	<b>SUBGROUP</b>
WO-116345	0302.1	WO-116897	0301	WO-117904	0603
WO-116346	0302.1	WO-116898	0301	WO-117907	0302.1
WO-116347	0302.1	WO-116899	0301	WO-117910	0302.1
WO-116384	0301	WO-116900	0301	WO-118037	1601.1
WO-116502	0104.1	WO-116901	0301	WO-118042	0304.1
WO-116503	0104.1	WO-116902	0301	WO-118043	0304.1
WO-116534	0104.2	WO-116903	0301	WO-118044	0304.1
WO-116535	0104.2	WO-116904	0301	WO-118056	1601.1
WO-116536	0104.2	WO-116905	0301	WO-118057	1601.3
WO-116549	1202	WO-116906	0301	WO-118058	1601.3
WO-116550	1202	WO-116907	0301	WO-118098	0607
WO-116551	1202	WO-116908	0301	WO-118100	0607
WO-116552	1202	WO-116909	0301	WO-118101	2208.1
WO-116587	0301	WO-116927	0301	WO-118102	0607
WO-116610	1601.1	WO-116933	0603	WO-118103	0607
WO-116613	0104.1	WO-117017	0602	WO-118104	0607
WO-116616	0104.1	WO-117064	0604.1	WO-118105	0607
WO-116647	0301	WO-117066	0604.1	WO-118106	0607
WO-116651	0301	WO-117090	0604.1	WO-118107	0607
WO-116703	0104.1	WO-117091	0604.1	WO-118108	0607
WO-116704	0104.1	WO-117116	0609.1	WO-118109	0607
WO-116705	0104.1	WO-117138	0302.1	WO-118110	0607
WO-116706	0104.1	WO-117143	0302.1	WO-118111	0607
WO-116708	0104.1	WO-117144	0302.1	WO-118112	0607
WO-116711	1601.1	WO-117152	0302.1	WO-118113	0607
WO-116714	0802.7	WO-117153	0302.1	WO-118115	0607
WO-116715	1601.3	WO-117154	0302.1	WO-118116	2208.1
WO-116762	0302.1	WO-117155	0302.1	WO-118117	2208.1
WO-116784	0301	WO-117156	0302.1	WO-118139	2202
WO-116813	0301	WO-117157	0302.1	WO-118140	2202
WO-116868	0301	WO-117160	0302.1	WO-118141	2202
WO-116869	0301	WO-117337	0603	WO-118142	2202
WO-116870	0301	WO-117346	0603	WO-118143	2202
WO-116871	0301	WO-117432	0302.1	WO-118146	2202
WO-116872	0301	WO-117520	0302.1	WO-118148	2202
WO-116873	0301	WO-117714	0604.1	WO-118149	2202
WO-116874	0301	WO-117845	0603	WO-118153	0609.1
WO-116875	0301	WO-117858	0603	WO-118154	0609.1
WO-116876	0301	WO-117861	0603	WO-118155	0609.1
WO-116877	0301	WO-117863	0603	WO-118156	0609.1
WO-116878	0301	WO-117866	0603	WO-118157	0609.1
WO-116879	0301	WO-117867	0603	WO-118160	0609.1
WO-116880	0301	WO-117868	0603	WO-118163	0607
WO-116881	0301	WO-117870	0603	WO-118165	0607
WO-116882	0301	WO-117871	0603	WO-118166	0607
WO-116883	0301	WO-117874	0603	WO-118167	0607
WO-116884	0301	WO-117875	0603	WO-118168	0607
WO-116885	0301	WO-117877	0603	WO-118181	2002.1
WO-116886	0301	WO-117878	0603	WO-118182	2002.1
WO-116887	0301	WO-117879	0603	WO-118183	2002.1
WO-116888	0301	WO-117883	0603	WO-118184	2002.1
WO-116889	0301	WO-117884	0603	WO-118198	2002.1
WO-116890	0301	WO-117886	0603	WO-118200	2002.1
WO-116891	0301	WO-117889	0603	WO-118201	2002.1
WO-116892	0301	WO-117893	0603	WO-118202	2002.1
WO-116893	0301	WO-117898	0603	WO-118203	2002.1
WO-116894	0301	WO-117899	0603	WO-118204	2002.1
WO-116895	0301	WO-117901	0603	WO-118205	2001.1
WO-116896	0301				2002.1

**ORDNANCE AND MANUFACTURERS' PART NUMBER INDEX—Continued**

<b>PART NO.</b>	<b>SUBGROUP</b>	<b>PART NO.</b>	<b>SUBGROUP</b>	<b>PART NO.</b>	<b>SUBGROUP</b>
WO-118206	2002.1	WO-118277	{2001.1	WO-118470	0609.1
WO-118207	2002.1		}2001.3	WO-118471	0609.1
WO-118211	{2001.3	WO-118280	2001.3	WO-118472	0609.1
	{2002.1	WO-118281	2001.1	WO-118473	0302.1
WO-118212	2002.1	WO-118282	2001.1	WO-118474	0302.1
WO-118213	2001.3	WO-118288	0106.2	WO-118475	0302.1
WO-118214	2001.3	WO-118289	0106.2	WO-118476	0302.1
WO-118217	2001.3	WO-118290	0106.2	WO-118477	0302.1
WO-118218	2001.3	WO-118291	0106.2	WO-118478	0302.1
WO-118219	2001.3	WO-118292	0106.2	WO-118480	0302.1
WO-118220	2001.1	WO-118293	0106.2	WO-118481	0302.1
WO-118221	2001.1	WO-118298	0603	WO-118482	0302.1
WO-118222	2001.1	WO-118303	0603	WO-118485	0302.1
WO-118223	2001.1	WO-118304	0603	WO-118486	0302.1
WO-118224	2001.1	WO-118305	0311.1	WO-118487	0302.1
WO-118229	2001.1	WO-118308	0311.1	WO-118488	0302.1
WO-118230	2001.1	WO-118311	0311.1	WO-118490	0302.1
WO-118231	2001.1	WO-118312	0311.1	WO-118491	0302.1
WO-118232	2001.1	WO-118313	0311.1	WO-118499	0311.1
WO-118233	2001.1	WO-118314	0311.1	WO-118500	0613.1
WO-118234	2001.1	WO-118315	0311.1	WO-118502	0613.1
WO-118235	2001.1	WO-118316	0311.1	WO-118503	0613.1
WO-118236	2001.1	WO-118317	0311.1	WO-118505	0613.1
WO-118237	2001.1	WO-118319	0311.1	WO-118506	0613.1
WO-118238	2001.1	WO-118320	0311.1	WO-118513	0900
WO-118239	2001.1	WO-118321	0311.1	WO-118514	0900
WO-118240	2001.1	WO-118322	0311.1	WO-118516	0900
WO-118241	2001.1	WO-118323	0311.1	WO-118518	0311.1
WO-118242	2001.1	WO-118324	0311.1	WO-118519	0311.1
WO-118243	2001.1	WO-118325	0311.1	WO-118521	1601.1
WO-118244	2001.1	WO-118326	0311.1	WO-118522	1601.1
WO-118245	2001.1	WO-118328	0311.1	WO-118523	1601.1
WO-118246	2001.1	WO-118329	0311.1	WO-118524	1601.1
WO-118247	2001.1	WO-118330	0311.1	WO-118525	1601.1
WO-118248	2001.1	WO-118331	0311.1	WO-118526	1601.1
WO-118249	2001.1	WO-118332	0311.1	WO-118527	1601.1
WO-118250	2001.1	WO-118333	0311.1	WO-118528	1601.1
WO-118251	2001.1	WO-118334	0311.1	WO-118529	1601.1
WO-118252	2001.1	WO-118335	0311.1	WO-118530	1601.1
WO-118253	2001.1	WO-118336	0311.1	WO-118531	1601.3
WO-118254	2001.1	WO-118337	0311.1	WO-118532	1601.3
WO-118255	2001.1	WO-118443	2208.1	WO-118533	1601.3
WO-118256	2001.1	WO-118444	2208.1	WO-118534	1601.3
WO-118257	2001.1	WO-118446	0609.1	WO-118535	1601.3
WO-118258	2001.5	WO-118447	0609.1	WO-118536	1601.3
WO-118259	2001.5	WO-118448	0609.1	WO-118537	1601.3
WO-118260	2001.5	WO-118451	0609.1	WO-118538	1601.3
WO-118261	2001.5	WO-118453	0609.1	WO-118539	1601.3
WO-118262	2001.5	WO-118454	0609.1	WO-118540	1601.3
WO-118263	2001.5	WO-118456	0609.1	WO-118541	1601.3
WO-118265	2001.5	WO-118457	0609.1	WO-118550	2202
WO-118266	2001.1	WO-118459	0609.1	WO-118551	2202
WO-118267	2001.1	WO-118460	0609.1	WO-118552	2202
WO-118272	2001.3	WO-118461	0609.1	WO-118553	2202
WO-118273	2001.3	WO-118464	0609.1	WO-118554	2202
WO-118274	2001.3	WO-118465	0609.1	WO-118555	2202
WO-118275	2001.3	WO-118467	0609.1	WO-118556	2202
WO-118276	2001.3	WO-118468	0609.1	WO-118557	2202
		WO-118469	0609.1		

**ORDNANCE AND MANUFACTURERS' PART NUMBER INDEX—Continued**

PART NO.	SUBGROUP	PART NO.	SUBGROUP	PART NO.	SUBGROUP
WO-118558	2202	WO-118775	0602	WO-118899	0601.3
WO-118559	2202	WO-118776	0602	WO-118900	0601.3
WO-118560	2202	WO-118786	0602	WO-118902	0601.3
WO-118561	2202	WO-118787	0602	WO-118903	0601.3
WO-118562	2202	WO-118788	0602	WO-118904	0601.3
WO-118563	2202	WO-118789	0602	WO-118905	0601.3
WO-118564	2202	WO-118793	0602	WO-118906	0601.3
WO-118565	2202	WO-118794	0602	WO-118908	0601.3
WO-118566	2202	WO-118795	0602	WO-118909	{0601.1
WO-118567	2202	WO-118796	0602		{0601.3
WO-118568	2202	WO-118800	0602	WO-118910	0601.3
WO-118569	2202	WO-118802	0603	WO-118911	0601.3
WO-118570	2202	WO-118803	0601.1	WO-118912	0601.3
WO-118645	0603	WO-118806	0601.1	WO-118913	0601.3
WO-118704	0302.1	WO-118807	0601.1	WO-118914	0601.3
WO-118712	0605	WO-118812	0601.1	WO-118915	0601.3
WO-118713	0604.1	WO-118813	0601.1	WO-118916	0601.3
WO-118714	0604.1	WO-118820	0601.1	WO-118917	0603
WO-118716	0604.1	WO-118821	0601.1	WO-118920	0607
WO-118717	0604.1	WO-118822	0601.1	WO-118921	0607
WO-118718	0604.1	WO-118823	0601.1	WO-118922	0607
WO-118720	0604.1	WO-118824	{0601.1	WO-118923	0609.1
WO-118723	0605		{0601.3	WO-118924	0609.1
WO-118724	{0602	WO-118826	0601.1	WO-118925	0609.1
	{0604.1	WO-118827	0601.1	WO-118926	0609.1
WO-118728	0604.1	WO-118828	0601.1	WO-118927	0609.1
WO-118729	0604.1	WO-118829	0601.1	WO-118939	0601.1
WO-118730	0604.1	WO-118830	0601.1	WO-118940	0607
WO-118731	0604.1	WO-118831	0601.1	WO-118941	0607
WO-118732	0604.1	WO-118832	0601.1	WO-118942	0607
WO-118733	0604.1	WO-118833	0601.1	WO-118943	0607
WO-118734	0604.1	WO-118834	0601.1	WO-118944	0607
WO-118735	0604.1	WO-118835	0601.1	WO-118945	0607
WO-118736	0604.1	WO-118840	0603	WO-118956	0603
WO-118737	0604.1	WO-118841	0603	WO-118958	0601.1
WO-118738	0604.1	WO-118842	0603	WO-118991	0601.3
WO-118747	0604.1	WO-118843	0603	WO-118996	0601.3
WO-118752	0602	WO-118844	0603	WO-118997	0601.3
WO-118753	0602	WO-118845	0603	WO-118998	0601.3
WO-118754	0602	WO-118867	0311.1	WO-118999	0601.3
WO-118755	0602	WO-118879	0604.1	WO-119011	0601.3
WO-118756	0602	WO-118880	0607	WO-119014	0601.3
WO-118757	0602	WO-118881	0615	WO-119016	0601.3
WO-118758	0602	WO-118882	0601.3	WO-119017	0601.3
WO-118759	0602	WO-118885	0601.3	WO-119018	0601.3
WO-118760	0602	WO-118886	0601.3	WO-119019	0601.3
WO-118761	0602	WO-118887	0601.3	WO-119020	0601.3
WO-118762	0602	WO-118888	0601.3	WO-119022	0104.1
WO-118763	0602	WO-118888	0601.3	WO-119023	0104.1
WO-118764	0602	WO-118889	0601.3	WO-119024	0104.1
WO-118765	0602	WO-118890	0601.3	WO-119050	0607
WO-118766	0602	WO-118891	{0601.1	WO-119051	0607
WO-118768	0602		{0601.3	WO-119053	0604.1
WO-118769	{0601.1	WQ-118892	0601.3	WO-119054	0604.1
	{0602	WO-118893	0601.3	WO-119055	0604.1
WO-118770	0602	WO-118894	0601.3	WO-119057	0604.1
WO-118771	0602	WO-118895	0601.3	WO-119058	0604.1
WO-118772	0602	WO-118896	0601.3	WO-119075	0603
WO-118774	0602	WO-118897	0601.3	WO-119076	0603

**ORDNANCE AND MANUFACTURERS' PART NUMBER INDEX—Continued**

<b>PART NO.</b>	<b>SUBGROUP</b>	<b>PART NO.</b>	<b>SUBGROUP</b>	<b>PART NO.</b>	<b>SUBGROUP</b>
WO-119084	0607	WO-119635	0603	WO-120278	2202
WO-119085	0607	WO-119636	0603	WO-120279	2202
WO-119086	0607	WO-119637	0603	WO-120640	0106.2
WO-119088	0609.1	WO-119638	0603	CAR-121-137	0301
WO-119093	0607	WO-119639	0603	CAR-121-138	0301
WO-119116	0601.1	WO-119640	0603	RG-TA123001	1401
WO-119136	0105.1	WO-119641	0603	RG-TA125000	1401
WO-119137	0105.1	WO-119642	0603	CU-12567-2	0106.2
WO-119152	1204.1	WO-119643	0603	RG-T126000	1401
WO-119153	1204.1	WO-119646	0603	RG-126023	1401
WO-119161	1204.1	WO-119647	0603	CC-126854Z	1503
WO-119162	1204.1	WO-119649	0603	C127235	1201
WO-119212	2208.1	WO-119652	0302.1	C127238	1201
WO-119241	0302.1	WO-119661	0302.1	RG-TA129000	1401
WO-119242	0302.1	WO-119704	0900	ABF-130002	0202
WO-119248	0302.1	WO-119705	0900	ABF-130003	0202
WO-119266	0302.1	WO-119706	0900	SW-G131000	1105.5
WO-119367	0607	WO-119707	0900	SP-13331-3	1102
WO-119478	0602	WO-119731	0900	SP-13338-3	1102
WO-119479	0602	WO-119732	0900	CAR-136-122	0301
WO-119480	0602	WO-119733	0900	CAR-150-139	0301
WO-119483	0302.1	WO-119752	0900	UCI-160306	0607
WO-119484	0601.3	WO-119766	0603	SP-16322-4	1002
WO-119485	0601.3	WO-119829	0603	SP-16323-4	1002
WO-119491	0601.3	WO-119867	0302.1	SP-16992-2	1004
WO-119493	0601.3	WO-119952	0106.2	SP-16992-3	1004
WO-119496	0601.3	WO-119953	0106.2	SP-16992-4	1004
WO-119511	0311.1	WO-119962	1601.1	CAR-170-138	0301
WO-119512	0311.1	WO-119964	1601.3	CAR-170-139	0301
WO-119513	1204.1	WO-119982	0106.2	SP-17122-3	1006
WO-119544	0601.3	WO-119983	0106.2	SP-17122-4	1006
WO-119545	0601.3	WO-119985	0106.2	TRI-1727-28	2202
WO-119546	0601.3	WO-119986	0106.2	SP-17521-1	1104.1
WO-119547	0601.3	WO-119987	0106.2	SP-17521-2	1104.1
WO-119585	0612	WO-119988	0604.1	SP-17521-3	1104.1
WO-119586	0612	WO-119998	0602	SP-17521-4	1104.1
WO-119596	0603	WO-119999	2202	SP-17541-1	1401
WO-119610	0603	WO-120000	2202	SP-17541-2	1401
WO-119611	0603	WO-120001	2202	SP-18-15-18	0801
WO-119612	0603	WO-120002	2202	SP-18-155-2	0801
WO-119613	0603	WO-120005	0302.1	SP-18172-1X	1006
WO-119614	0603	WO-120072	2202	SP-18172-2X	1006
WO-119615	0603	WO-120073	2202	SP-18-187-4	0802.3
WO-119616	0603	WO-120074	2202	SP-18-19-28	0802.7
WO-119617	0603	WO-120075	2202	SP-18-19-32	0802.5
WO-119618	0603	WO-120076	2202	SP-18-223-2	0802.5
WO-119619	0603	WO-120108	2202	SP-18-223-3	0802.5
WO-119620	0603	WO-120109	2202	SP-18-223-6	1201
WO-119621	0603	WO-120127	0900	SP-18-228-7	0802.7
WO-119622	0603	CAR-120-157	0301	SP-18-228-8	0802.7
WO-119623	0603	WO-120158	0601.1	SP-18-228-9	0802.7
WO-119627	0603	WO-120202	0604.1	SP-18-267-5	0801
WO-119628	0603	WO-120208	0302.1	SP-18-324-2	0801
WO-119629	0603	WO-120252	0603	SP-18-362-3	0802.5
WO-119630	0603	WO-120264	0302.1	SP-18-362-6	0802.7
WO-119631	0603	WO-120275	2202	SP-18-362-7	0802.5
WO-119632	0603	WO-120276	2202	SP-18-381-2	0802.5
WO-119633	0603	WO-120277	2202	SP-18397-6X	1002
WO-119634	0603				



**ORDNANCE AND MANUFACTURERS' PART NUMBER INDEX—Continued**

PART NO.	SUBGROUP	PART NO.	SUBGROUP	PART NO.	SUBGROUP
SP-18411-1X	1006	WO-330964	0106.1	WO-630299	0106.5
SP-18411-2X	1006	WO-339043	0202	WO-630303	0105.1
SP-18-452-2	0802.7	WO-339372	1601.1	WO-630305	0105.1
SP-18-453-9	2208.1		1601.3	WO-630365	0105.5
SP-18-466-1	0802.5	MSP-344-266	1501	WO-630389	0106.1
SP-18597-1X	1006	WO-344732	0108	WO-630390	0106.1
SP-18597-2X	1006	A346734	0301	WO-630396	0106.6
SP-18599-7X	1102	WO-347002	2208.1	WO-630397	0106.6
TI-U1864-20A	0605	WO-349368	0101	WO-630398	0106.6
	0615	WO-372438	0312	WO-630518	0106.1
TI-U1864-21	0615	WO-374586	1202	WO-630593	0202
TI-U1864-57	0605	WO-375217	0103		1206
TI-U1864-58A	0605	WO-375811	0105.1	WO-630753	1401
AL-19X3168	0603	WO-375877	0102.1	WO-630754	1401
MSP-200-145	1501	WO-375917	0105.5	WO-630755	1401
DV-PR20-1100	0311.3	WO-375994	0105.1	WO-632156	0103
SP-20128-1X	1006	WO-381519	0102.2	WO-632157	0103
SP-20128-2X	1006	WO-390510	1401		0104.1
SP-2-1-1191	0802.7	RG-400023	1401	WO-632174	0312
HAC-21216F1	0609.1	RG-400025	1401	WO-632177	0202
A214741	0302.1	RG-400049	1401	WO-633013	0312
AL-2-15-3-50	0609.1	RG-400050	1401	WO-634762	0800
AL-2-15-4-50	0609.1	RG-401100	1401	WO-634796	0102.1
SP-230007	0900	RG-401138	1401	WO-634811	0108
SP-230008	0900	RG-402130	0611	WO-634813	0106.1
SP-2-3-1111X	0900	SW-418041	2208.1	WO-634814	0401
SP-2-3-1131X	0900	SW-418100	0607	WO-635097	0304.1
SP-2-4-1421	0802.5	SW-418991	2208.1		0304.5
SP-2-4-1451X	1102	SW-448361	2208.1	WO-635377	0102.2
A246044B	0612	USL-461389	0304.1	WO-635529	0202
SP-25Q1250	0804		0304.5	WO-635863	0704
SP-25Q1251	0804	RG-475104	1401	WO-635868	0704
TRI-2618-17	2202	RG-500824	1401	WO-636148	0104.1
A281437	0301	SP-550163	1102	WO-636298	0504
A292967	0302.1	SP-550180	1102	WO-636344	1104.1
A293060	0301	SP-550213	1102	WO-636360	1002
SP-30067-1	1401	SP-550225	1102		1102
SP-30067-2	1401	SP-550233	1102	WO-636371	1104.1
SP-30102-1	1006	SP-55-454-2	2208.1	WO-636372	1104.1
SP-30102-2	1006	SP-55-454-3	2208.1	WO-636374	1104.1
AL-301701	0612	SP-5-73-223	1401	WO-636438	0108
AL-301702	0612	HH-613313	0304.1	WO-636439	0108
BX-302093	1204.3	HH-613387	0304.1	WO-636527	1002
BX-302094	1204.3	OKS-613387	0304.1	WO-636553	1102
BX-303141	1204.3	HH-616338	0304.1	WO-636565	1002
A304426	1201	HH-616339	0304.1		1102
A304427	1201	HH-616389	0304.1	WO-636566	1002
A304430	1201	HH-621456	0304.1	WO-636568	1002
A308282	0106.2	HH-621475	0304.1	WO-636570	1002
SP-310057X	0802.7	WO-630068	0202		1102
WO-311003	1201	WO-630101	0103	WO-636961	0104.1
A311679A	0613.1	WO-630103	0103	WO-637042	0104.1
A311679C	0612	WO-630112	0202	WO-637044	0105.1
SP-31-246-2	0802.3	WO-630117	0202	WO-637045	0105.1
A327340	2202	WO-630129	0201	WO-637053	0504
A327341	2202	WO-630262	0102.1	WO-637182	0105.1
A327342	2202	WO-630285	0102.2	WO-637206	0108
WO-314338	0106.6	WO-630288	0102.2	WO-637209	0108
WO-323397	0612			WO-637210	0108

**ORDNANCE AND MANUFACTURERS' PART NUMBER INDEX—Continued**

PART NO.	SUBGROUP	PART NO.	SUBGROUP	PART NO.	SUBGROUP
WO-637211	0108	WO-639818	1102	WO-640413	0702.5
WO-637236	0102.2	WO-639862	0104.2	WO-640417	0702.5
WO-637426	1204.5	WO-639864	0104.1	WO-640418	0702.5
WO-637427	1204.5	WO-639949	1204.3	WO-640419	0702.5
WO-637432	1204.5	WO-639959	{1002	WO-640420	0702.5
WO-637539	1204.3		}1102	WO-640422	0702.1
WO-637543	1204.3	WO-639960	{1002	WO-640425	0701
WO-637545	1204.3		}1102	WO-640427	0702.1
WO-637577	1204.3	WO-639961	{1002	WO-640428	0702.1
WO-637578	1204.3		}1102	WO-640431	0702.3
WO-637579	1204.3	WO-639962	{1002	WO-640578	0201
WO-637583	1204.1		}1102	WO-640617	2002.5
WO-637590	1204.1	WO-639969	{1002	WO-640618	2002.5
WO-637597	1204.1		}1102	WO-640619	2002.5
WO-637598	1204.1	WO-639970	{1002	WO-640622	2002.1
WO-637604	{0603		}1102	WO-640623	2002.5
	}1204.1	WO-639971	{1002	WO-640624	2002.5
WO-637605	1204.1		}1102	WO-640625	2002.5
WO-637606	1204.1	WO-639972	{1002	WO-640626	2002.5
WO-637615	0604.1		}1102	WO-640627	2002.5
WO-637790	0102.2	WO-639973	{1002	WO-640628	2002.5
WO-637899	1202		}1102	WO-640629	2002.5
WO-637900	1202	WO-639974	{1002	WO-640632	2002.1
WO-637901	1202		}1102	WO-640659	2002.5
WO-637905	1202	WO-639975	{1002	WO-640699	1002
WO-637936	1604.1		}1102	WO-640704	0306
WO-638064	0306	WO-639979	0106.6	WO-640777	0702.5
WO-638156	0202	WO-639980	0106.6	WO-640778	0702.5
WO-638157	0202	WO-639993	0504	WO-640779	0702.5
WO-638159	0202	WO-640020	0105.2	WO-640782	0702.1
WO-638513	0102.1	WO-640102	1201	WO-640783	0702.1
WO-638539	0101	WO-640112	0202	WO-640784	0702.1
WO-638540	0101	WO-640123	0202	WO-640785	0702.1
WO-638636	0105.1	WO-640124	0202	WO-640885	1311
WO-638640	0108	WO-640172	0306	WO-640886	1202
WO-638737	0302.1	WO-640178	1401	WO-640887	1104.1
WO-638781	1201	WO-640193	0612	WO-640888	1202
WO-638918	1401	WO-640246	0312	WO-640893	0702.1
WO-639010	1201	WO-640343	2002.1	WO-640894	0702.1
WO-639102	1401	WO-640351	0701	WO-640942	1204.5
WO-639103	1401	WO-640389	0702.3	WO-640943	1204.5
WO-639107	1401	WO-640390	0702.3	WO-640945	1104.1
WO-639108	1401	WO-640391	0702.3	WO-640947	0304.1
WO-639109	1401	WO-640392	0702.3	WO-640948	0304.1
WO-639110	1401	WO-640393	0702.3	WO-640965	1102
WO-639113	1401	WO-640394	0702.3	WO-640966	1104.1
WO-639118	1401	WO-640395	0702.3	WO-640967	1104.1
WO-639120	1401	WO-640396	0702.3	WO-640968	1104.1
WO-639191	1401	WO-640397	0702.3	WO-640969	1104.1
WO-639265	1102	WO-640398	0702.3	WO-640971	1104.1
WO-639429	0802.5	WO-640399	0702.3	WO-640972	1104.1
WO-639578	0201	WO-640400	0702.3	WO-640973	1104.1
WO-639607	0312	WO-640401	0702.3	WO-640974	1104.1
WO-639610	0312	WO-640405	0702.5	WO-641047	0106.1
WO-639650	0503	WO-640409	0702.5	WO-641049	0105.3
WO-639651	0503	WO-640410	0702.5	WO-641050	0106.6
WO-639734	0603	WO-640411	0702.5	WO-641066	0101
WO-639743	0108	WO-640412	0702.5	WO-641087	0101

**ORDNANCE AND MANUFACTURERS' PART NUMBER INDEX—Continued**

PART NO.	SUBGROUP	PART NO.	SUBGROUP	PART NO.	SUBGROUP
WO-641096	0105.5	WO-642822	{0612	WO-646147	0106.1
WO-641281	0105.5		{0613.1	WO-646193	1501
WO-641282	0105.5		{2208.1	WO-646232	0503
WO-641283	0105.5	WO-642987	1601.3	WO-646316	0102.1
WO-641284	0105.3	WO-643454	1201	WO-646620	1401
WO-641479	0106.1	WO-643473	1504	WO-646812	0503
WO-641480	0106.1	WO-643562	0103	WO-646933	1501
WO-641482	0106.1	WO-643621	0702.3	WO-646962	1501
WO-641483	0106.1	WO-643671	1204.1	WO-647008	1401
WO-641484	0106.1	WO-643672	1204.1	WO-647019	1501
WO-641629	1004	WO-643674	1204.1	WO-647025	1501
WO-641630	1004	WO-643834	0105.5	WO-647026	1501
WO-641695	0201	WO-644067	0312	WO-647028	1501
WO-641740	0106.1	WO-644122	0800	WO-647030	1501
WO-641742	0106.1	WO-644141	1002	WO-647042	0108
WO-641768	0104.2	WO-644142	1002	WO-647061	1102
WO-641769	0104.2	WO-644148	1002	WO-647062	1102
WO-641770	0104.2	WO-644233	0704	WO-647063	1102
WO-641771	0104.2	WO-644316	0702.5	WO-647071	0105.2
WO-641772	0104.2	WO-644319	0801	WO-647072	0105.2
WO-641773	0104.2	WO-644366	0202	WO-647078	0102.1
WO-641774	0104.2	WO-644531	1401	WO-647089	1401
WO-641775	0104.2	WO-644537	1401	WO-647098	1401
WO-641917	1202	WO-644546	1401	WO-647099	1401
WO-641921	1201	WO-644552	0702.3	WO-647282	1204.1
WO-641929	1206	WO-644833	1401	WO-647286	1204.1
WO-641955	0103	WO-644963	0105.3	WO-647289	1204.1
WO-641959	0103	WO-645071	1501	WO-647297	1204.1
WO-641960	0103	WO-645072	1501	WO-647415	1501
WO-642013	1204.3	WO-645093	0105.1	WO-647468	0102.1
WO-642014	1204.3	WO-645094	0105.1	WO-647492	1204.1
WO-642056	1401	WO-645160	0102.2	WO-647544	1204.5
WO-642057	1401	WO-645161	0102.2	WO-647574	{0704
WO-642058	1401	WO-645162	0102.2		{1805
WO-642059	1401	WO-645163	0102.2	WO-647592	1204.1
WO-642120	1102	WO-645164	0102.2	WO-647606	1204.1
WO-642121	1102	WO-645165	0102.2	WO-647634	1206
WO-642188	0802.3	WO-645166	0102.2	WO-647635	1206
WO-642189	0802.3	WO-645167	0102.2	WO-647919	1501
WO-642191	0802.3	WO-645168	0102.2	WO-648069	1204.1
WO-642214	0106.1	WO-645169	0102.2	WO-648081	0304.5
WO-642233	0609.1	WO-645170	0102.2	WO-648083	{0106.5
WO-642520	0105.5	WO-645171	0102.2		{0304.5
WO-642623	0202	WO-645249	0202	WO-648144	2202
WO-642624	0202	WO-645539	1204.5	WO-648277	1204.1
WO-642724	1201	WO-645575	1206	WO-648438	0106.2
WO-642754	0701	WO-645595	0105.3	WO-648674	1204.3
WO-642758	0704	WO-645628	0106.1	WO-648927	0610
WO-642759	0704	WO-645629	0106.1	WO-648974	1204.1
WO-642764	0704	WO-645663	1401	WO-648997	{0309
WO-642765	0704	WO-645702	1501		{0610
WO-642766	0704	WO-645789	1102	WO-649073	0603
WO-642767	0704	WO-645790	1102	WO-649219	1401
WO-642768	0704	WO-645905	0503	WO-649228	1002
WO-642769	0704	WO-645980	0702.1	WO-649240	1401
WO-642770	0704	WO-646073	{0312	WO-649339	0202
WO-642776	1201		{2002.5	WO-649454	{1002
		WO-646144	1201		{1102

**ORDNANCE AND MANUFACTURERS' PART NUMBER INDEX—Continued**

<b>PART NO.</b>	<b>SUBGROUP</b>	<b>PART NO.</b>	<b>SUBGROUP</b>	<b>PART NO.</b>	<b>SUBGROUP</b>
WO-649692	0609.1	WO-649880	0306	WO-671291	1806
WO-649705	1501	WO-649930	0607	WO-671829	1800
WO-649706	0100.2	WO-649931	0608	WO-671960	1806
WO-649707	0100.2	WO-649932	0607	WO-671961	1806
WO-649720	0503	WO-649936	1311	WO-671968	1808
WO-649721	0505	WO-649937	1311	WO-671979	1808
WO-649722	0102.1	WO-649938	1311	WO-672000	1806
WO-649726	0608	WO-649971	0201	WO-672012	1806
WO-649734	0306	WO-649972	0202	WO-672016	1806
WO-649735	0306	WO-649975	0202	WO-672397	1803.1
WO-649737	0309	WO-649976	0202	WO-672616	1804.3
WO-649739	0309	WO-649977	0202	WO-672697	1808
WO-649742	0306	WO-649995	1401	WO-672698	1808
WO-649743	0306	WO-649997	1501	WO-672725	1804.1
WO-649744	0306	WO-649998	1501	WO-673024	1804.1
WO-649745	0306	WO-650482	0312		1808
WO-649748	0306	WO-650483	0312	SP-6-73-122	1201
WO-649749	0306	WO-650484	0312	SP-S6-73-124	1006
WO-649753	0607	WO-650684	0202	WO-673158	2201
WO-649759	0306		1206	WO-673249	2101
WO-649760	0306	WO-662010	1804.2	WO-673281	2101
WO-649767	1204.5	WO-663075	0306	WO-673282	2101
WO-649768	1204.5	WO-663111	1803.1	WO-673286	1804.3
WO-649769	1006	WO-663112	1803.1	WO-673287	1804.3
WO-649770	1006	WO-663194	1803.1	WO-673291	1804.2
WO-649771	1006	WO-663195	1803.1	WO-673292	1804.2
WO-649772	1006	WO-663399	1504	WO-673300	2201
WO-649782	1004	WO-663415	1804.1	WO-673305	1804.1
WO-649783	1004	WO-663428	1803.1	WO-673307	1804.1
WO-649784	1006	WO-663472	1806	WO-673308	1804.1
WO-649816	0601.1	WO-663476	1808	WO-673309	1804.1
	0601.3	WO-663492	1805	WO-673310	1804.1
WO-649817	0601.1	WO-663520	2101	WO-673311	1804.1
	0601.3	WO-663534	0502	WO-673313	2101
WO-649818	0601.1	WO-663539	1206	WO-673332	1803.1
	0601.3	WO-663555	2201	WO-673335	1804.1
WO-649823	0105.5	WO-663556	2201	WO-673336	1804.1
WO-649849	0102.1	WO-663597	2201	WO-673338	1806
WO-649850	0603	WO-664986	0611	WO-673339	1804.1
WO-649855	0501	WO-666197	1800	WO-673344	1504
WO-649856	1501	WO-666619	0401	WO-673349	1504
WO-649857	0100.2	WO-667694	0106.2	WO-673367	1804.1
WO-649859	1204.5	WO-668921	1804.3	WO-673368	1804.1
WO-649860	1204.5	WO-668922	1804.3	WO-673371	1806
WO-649861	0501		0612	WO-673373	1804.2
WO-649862	0501	WO-669904	1804.1	WO-673380	1804.3
WO-649863	0401		1804.2	WO-673387	1806
WO-649865	0401	WO-670371	1806	WO-673394	1804.3
WO-649868	0401	WO-670540	1801	WO-673395	1804.3
WO-649869	0401	WO-670911	1804.3	WO-673408	1806
WO-649871	0106.1	WO-670926	1805	WO-673409	1804.1
WO-649872	0106.1		1808	WO-673412	1804.1
WO-649873	1311	WO-670935	1804.3	WO-673414	1804.1
WO-649874	1311	WO-670948	1703	WO-673415	0306
WO-649875	1311	WO-670949	1703	WO-673416	0612
WO-649877	1311	WO-670950	1703	WO-673420	1504
WO-649878	1311	WO-670951	1703	WO-673423	0612
WO-649879	1201	WO-670953	1804.3	WO-673432	0612

**ORDNANCE AND MANUFACTURERS' PART NUMBER INDEX—Continued**

PART NO.	SUBGROUP	PART NO.	SUBGROUP	PART NO.	SUBGROUP
WO-673435	1703		{0612	WO-673859	1800
WO-673436	1703	WO-673597	1804.3	WO-673956	1804.2
WO-673438	0612		{1806	WO-673996	1804.3
WO-673439	{1504		{2201	WO-674004	2201
	{1808	WO-673600	1703	WO-674023	1504
WO-673440	1808	WO-673602	2202	WO-674052	2202
WO-673442	1703	WO-673605	1805	WO-674060	1804.1
WO-673446	1805	WO-673606	1804.3	WO-674078	1808
WO-673457	1808	WO-673621	{1803.1	WO-674079	1808
WO-673458	1504		{2101	WO-674080	1808
WO-673459	1804.1	WO-673622	2202	WO-674081	1808
WO-673461	1805	WO-673623	2202	WO-674083	1808
WO-673462	1805	WO-673631	1703	WO-674086	1808
WO-673463	1805	WO-673645	1804.1	WO-674089	1804.3
WO-673465	1803.1	WO-673646	1804.1	WO-674105	2201
WO-673468	{1701	WO-673647	1804.1	WO-674106	2201
	{2101	WO-673687	0612	WO-674111	2201
WO-673469	1804.1	WO-673688	0612	WO-674112	2201
WO-673471	1805	WO-673697	1808	WO-674113	2201
WO-673472	1808	WO-673706	1808	WO-674114	2201
WO-673474	1805	WO-673708	1808	WO-674123	1808
WO-673481	1805	WO-673709	1808	WO-674173	2201
WO-673483	1805	WO-673717	1804.2	WO-674187	2201
WO-673487	1804.1	WO-673719	2202	WO-674197	2201
WO-673493	1701	WO-673725	1201	WO-674198	2201
WO-673494	1701	WO-673765	1808	WO-674217	1804.3
WO-673496	0612	WO-673766	1808	WO-674218	1804.3
WO-673497	1806	WO-673767	1808	WO-674223	1808
WO-673498	1806	WO-673768	1808	WO-674230	1805
WO-673501	{1803.1	WO-673769	1804.1	WO-674232	1808
	{2101	WO-673771	2201	WO-674233	1804.3
WO-673503	0612	WO-673773	1504	WO-674234	1804.3
WO-673506	0612	WO-673774	{1806	WO-674239	2101
WO-673511	1806		{2201	WO-674240	2101
WO-673533	1806	WO-673775	1806	WO-674242	1804.3
WO-673536	1806	WO-673776	1808		{1804.1
WO-673537	1806	WO-673777	2201	WO-674267	1804.2
WO-673542	1808	WO-673780	1804.1		{1808
WO-673551	1804.3	WO-673782	{1808		{2101
WO-673552	1804.3		{2201	WO-674268	1805
WO-673553	1804.3	WO-673783	1808	WO-674289	0612
WO-673554	1804.3	WO-673784	1808	WO-674300	1808
WO-673555	1804.3	WO-673785	1808	WO-674316	1805
WO-673556	1804.3	WO-673786	0612		{1804.1
WO-673557	1806	WO-673787	0612	WO-674350	1805
WO-673561	1806	WO-673788	1804.2		{2101
WO-673562	1806	WO-673789	1808	WO-674364	1805
WO-673564	2202	WO-673790	1808	WO-674365	1805
WO-673569	2202	WO-673791	2201	WO-674392	1804.1
WO-673577	1806	WO-673794	2201	WO-674393	1804.3
WO-673578	1806	WO-673797	2201	WO-674488	1805
WO-673579	1806	WO-673800	1808	WO-674410	1805
WO-673580	1806	WO-673803	2201	WO-674418	1806
WO-673581	1806	WO-673805	0612	WO-674425	1806
WO-673586	1806	WO-673806	1808	WO-674426	1806
WO-673587	1806	WO-673808	1808	WO-674427	1806
WO-673593	1806	WO-673832	1804.2	WO-674428	1805
		WO-673833	1804.1	WO-674429	1804.1

**ORDNANCE AND MANUFACTURERS' PART NUMBER INDEX—Continued**

PART NO.	SUBGROUP	PART NO.	SUBGROUP	PART NO	SUBGROUP
WO-674439	1805	WO-674971	2201	WO-800145	1202
WO-674471	2101	WO-674972	2201	WO-800146	1202
WO-674621	2201	WO-674993	1808	WO-800147	1202
WO-674622	2201	WO-674996	2201	WO-800148	1202
WO-674630	2201	WO-674999	1808	WO-800174	0800
WO-674637	1804.3	WO-675000	1808	WO-800193	0612
WO-674639	2202	WO-675001	1808	WO-800201	0610
WO-674645	2202	WO-675002	1808	WO-800212	0610
WO-674651	2202	WO-675071	1808	WO-800213	0610
WO-674658	1804.1	WO-675129	1804.3	WO-800224	1204.5
WO-674660	2202	WO-675137	1806	WO-800225	1204.5
WO-674661	2202	WO-675141	2101	WO-800239	0615
WO-674693	0502	WO-675142	1806	WO-800296	0611
WO-674694	0502	WO-675206	1808	WO-800299	0611
WO-674697	2202	WO-675567	1805	WO-800319	0106.2
WO-674721	2201	WO-677277	{0607	WO-800320	0106.2
WO-674789	2201		{1805	WO-800328	1503
WO-674790	2201	WO-677712	1805	WO-800337	1503
WO-674791	0612	WO-677836	1806	WO-800338	1503
WO-674847	0607	WO-680509	1805	WO-800340	1503
WO-674849	0607	WO-680554	1703	WO-800347	0311.3
WO-674875	2101	WO-681189	1806	WO-800350	0302.1
WO-674876	1804.3	WO-682638	1806	WO-800361	0302.1
WO-674879	1804.3	PR-68-4*.020	0104.1	WO-800365	0108
WO-674882	1805	PR-68-4*.030	0104.1	WO-800366	0108
WO-674884	1805	PR-68-4*.040	0104.1	WO-800374	0304.5
WO-674887	2201	WO-684845	1808	WO-800375	0304.5
WO-674888	2201	TRI-79016-4	2202	WO-800376	0101
WO-674889	2201	WO-800002	0504	WO-800378	0609.1
WO-674890	2201	WO-800003	0504	WO-800387	0304.5
WO-674891	2201	WO-800005	0612	WO-800388	0304.5
WO-674892	2201	WO-800006	0612	WO-800389	2101
	{0607	WO-800009	0612	WO-800390	2101
WO-674898	{1804.1	WO-800010	0612	WO-800391	{0613.1
	{1808	WO-800013	0612		{0617
	{2101	WO-800016	0612	WO-800392	0617
WO-674904	2201	WO-800019	0612	WO-800393	0607
WO-674905	2201	WO-800020	0612	WO-800401	0312
WO-674906	2201	WO-800023	1204.1	WO-800403	0312
WO-674907	1804.3	WO-800027	1204.1	WO-800404	0312
WO-674908	1805	WO-800040	0202	WO-800420	0613.1
WO-674910	1805	WO-800044	1313		{0607
WO-674913	2201	WO-800047	1503	WO-800422	{0609.1
WO-674914	2201	WO-800048	1501		{0613.1
WO-674915	1504	WO-800051	1503		{0617
WO-674916	0502	WO-800053	1204.3	WO-800423	0613.1
WO-674917	0502	WO-800055	1204.3	WO-800439	0613.1
WO-674919	1805	WO-800068	1004	WO-800440	0613.1
WO-674925	2201	WO-800078	2101	WO-800451	0607
WO-674926	2201	WO-800079	0700	WO-800452	0607
WO-674939	1805	WO-800093	0102.1	WO-800471	0613.1
WO-674953	1805	WO-800095	1004	WO-800472	0613.1
WO-674956	1808	WO-800098	0108	WO-800477	0613.1
WO-674957	1808	WO-800100	0101	WO-800481	0613.1
WO-674959	1808	WO-800125	0900	WO-800483	0613.1
WO-674967	1808	WO-800127	0602	WO-800527	1206
WO-674969	2201	WO-800142	0604.1	WO-800537	2210
WO-674970	2201			WO-800580	2001.1

**ORDNANCE AND MANUFACTURERS' PART NUMBER INDEX—Continued**

PART NO.	SUBGROUP	PART NO.	SUBGROUP	PART NO.	SUBGROUP
WO-800594	0106.6	WO-800870	2202	WO-801249	0613.1
WO-800595	0306	WO-800875	0306	WO-801250	0613.1
WO-800602	0304.1	WO-800885	0504	WO-801251	0613.1
WO-800603	0304.5	WO-800896	1204.5	WO-801252	0613.1
WO-800605	1501	WO-800907	0611	WO-801263	0306
WO-800607	1006	WO-800929	1503	WO-801264	1401
WO-800608	1006	WO-800952	1204.5	WO-801265	1401
WO-800699	0612	WO-800953	1204.5	WO-801271	0304.5
WO-800701	0304.5	WO-800991	1604.1	WO-801273	0306
WO-800713	1204.1	WO-800992	1604.1	WO-801279	1401
WO-800728	0202	WO-801042	0800	WO-801285	1501
WO-800737	1401	WO-801043	0800	WO-801286	1501
WO-800741	0302.1	WO-801044	0503	WO-801289	0312
WO-800743	2208.1	WO-801045	{1601.1	WO-801303	0312
WO-800747	1202		}1601.3	WO-801307	0312
WO-800748	1201	WO-801047	0503	WO-801308	0312
WO-800753	1201	WO-801048	0504	WO-801309	0312
WO-800754	1206	WO-801049	0504	WO-801312	0304.5
WO-800756	0304.5	WO-801053	0100.2	WO-801326	0613.1
WO-800760	0202	WO-801057	0503	WO-801327	0613.1
WO-800765	0304.5	WO-801058	1805	WO-801328	0801
WO-800766	2210	WO-801059	0304.1	WO-801330	0804
WO-800781	1501	WO-801060	0304.5	WO-801331	0804
WO-800783	0312	WO-801062	0304.1	WO-801332	0804
WO-800784	1401	WO-801077	0304.5	WO-801337	0304.5
WO-800785	0401	WO-801078	1401	WO-801367	1102
WO-800794	0304.5	WO-801081	0304.5	WO-801371	0104.1
WO-800796	0612	WO-801084	0304.5	WO-801380	0306
WO-800798	1311	WO-801085	0304.5	WO-801386	2101
WO-800799	0401	WO-801086	0304.5	WO-801387	1501
	{0106.2	WO-801090	0503	WO-801388	1501
	{0311.3	WO-801092	2208.1	WO-801393	1204.5
WO-800802	{0613.1	WO-801093	2208.1	WO-801394	1204.5
	{1201	WO-801111	0605	WO-801422	1401
	{2202	WO-801112	0605	WO-801423	1401
WO-800803	{0312	WO-801128	0311.3	WO-801425	1401
	{2208.1	WO-801129	0311.3	WO-801439	0306
WO-800804	0304.5	WO-801139	0311.1	WO-801447	0304.5
WO-800809	0100.2	WO-801148	0106.5	WO-801454	0613.1
WO-800811	1201	WO-801165	0613.1	WO-801455	0613.1
WO-800814	1501	WO-801166	0613.1	WO-801460	0607
WO-800815	1501	WO-801183	0802.5	WO-801469	0613.1
WO-800817	1503	WO-801186	1401	WO-801476	0104.1
WO-800818	0804	WO-801193	{0613.1	WO-801480	0104.1
WO-800820	1503		}0617	WO-801492	0104.1
WO-800821	1601.1	WO-801194	0613.1	WO-801494	0104.1
WO-800823	1601.1	WO-801195	0613.1	WO-801495	0104.1
WO-800824	1501	WO-801196	0613.1	WO-801496	0104.1
WO-800825	1501	WO-801201	{0613.1	WO-801500	0104.1
WO-800826	0105.1		}0617	WO-801502	0104.1
WO-800827	0105.1	WO-801238	0601.1	WO-801503	0104.1
WO-800828	0105.1	WO-801243	0613.1	WO-801504	0104.1
WO-800829	0105.1	WO-801244	{1601.1	WO-801528	0613.1
WO-800845	1501		}1601.3	WO-801530	0613.1
WO-800848	0304.1	WO-801245	{1601.1	WO-801531	0617
WO-800867	1401		}1601.3	WO-801532	0613.1
WO-800868	1401	WO-801247	{0601.1	WO-801534	0104.1
WO-800869	2202		}0601.3	WO-801535	0104.1

**ORDNANCE AND MANUFACTURERS' PART NUMBER INDEX—Continued**

PART NO.	SUBGROUP	PART NO.	SUBGROUP	PART NO.	SUBGROUP
WO-801536	0104.1	WO-801709	1311	WO-801854	0312
WO-801538	0104.1	WO-801711	1401	WO-801860	0609.1
WO-801539	0104.1	WO-801712	1401	WO-801866	2001.3
WO-801540	0104.1	WO-801713	1401	WO-801868	2001.3
WO-801559	0306	WO-801714	1401	WO-801869	2001.3
WO-801561	0306	WO-801715	1401	WO-801894	0304.1
WO-801565	1401	WO-801716	1401	WO-801926	1002
WO-801566	1401	WO-801717	0611	WO-801927	1002
WO-801567	1501	WO-801719	0611	WO-801929	1002
WO-801568	1805	WO-801720	1401	WO-801933	0106.2
WO-801582	0304.5	WO-801728	0501	WO-801937	1204.1
WO-801585	0304.1	WO-801730	0704	WO-802016	0100.1
WO-801586	0304.5	WO-801731	0704	WO-802020	0100.2
WO-801595	0103	WO-801732	0704	WO-802021	0100.1
WO-801617	0201	WO-801733	0704	WO-802023	0100.2
WO-801619	1601.1	WO-801735	1601.3	WO-802025	0101
WO-801623	1601.1	WO-801736	1601.3	WO-802041	0304.5
WO-801624	{1601.1	WO-801738	0304.1	WO-802042	0304.5
	{1601.3	WO-801749	0610	WO-802064	0613.1
WO-801628	0103	WO-801759	1004	WO-802065	0613.1
WO-801629	0103	WO-801761	0106.1	WO-802087	0106.2
WO-801641	0202	WO-801762	1311	WO-802088	0801
WO-801647	1000	WO-801766	2001.1	WO-802146	0106.6
WO-801648	1000	WO-801767	2001.1	WO-802156	0106.2
WO-801649	0309	WO-801768	2001.1	WO-802187	0505
WO-801650	0309	WO-801769	2001.3	WO-802203	0613.1
WO-801658	1601.3	WO-801770	2001.3	WO-802204	0613.1
WO-801659	1601.3	WO-801771	2001.3	WO-802247	0304.5
	{0701	WO-801772	2001.3	WO-802249	0612
WO-801660	{0801	WO-801773	2001.3	WO-802250	0612
	{1004	WO-801774	2002.1	WO-802251	0612
WO-801661	1501	WO-801775	1000	WO-802252	0612
WO-801662	1206	WO-801776	1000	WO-802253	0612
WO-801663	1206	WO-801778	1503	WO-802255	2001.1
WO-801664	1206	WO-801779	1503	WO-802298	1204.5
WO-801665	2101	WO-801780	1503	WO-802300	1001
WO-801666	1401	WO-801781	1503	WO-802311	0900
WO-801674	1401	WO-801782	1503	WO-802314	1006
WO-801675	0900	WO-801784	1503	WO-802315	1006
WO-801682	1503	WO-801785	1503	WO-802316	1006
WO-801683	0312	WO-801786	1503	WO-802319	1006
WO-801685	0312	WO-801787	1503	WO-802321	1006
WO-801691	1401	WO-801791	0605	WO-802367	2210
	{0609.1	WO-801797	0603	WO-802368	2210
WO-801692	{0611	WO-801802	2210	WO-802371	0613.1
	{0613.1	WO-801803	2210	WO-802372	2210
	{0617	WO-801804	2210	WO-802379	0201
WO-801693	0613.1	WO-801805	2210	WO-802380	0202
WO-801694	{0612	WO-801807	0304.1	WO-802381	0202
	{0613.1	WO-801809	0613.1	WO-802383	0615
WO-801695	1501	WO-801816	1401	WO-802410	0201
WO-801696	2208.1	WO-801818	2210	WO-802411	0201
WO-801697	{0612	WO-801819	2210	WO-802414	0702.5
	{0613.1	WO-801820	2210	WO-802420	1100
WO-801698	0202	WO-801821	2210	WO-802428	0609.1
WO-801699	0505	WO-801826	0108	WO-802429	0609.1
WO-801707	1311	WO-801848	2002.5	WO-802430	0609.1
WO-801708	1311	WO-801849	1805	WO-802431	0609.1



**ORDNANCE AND MANUFACTURERS' PART NUMBER INDEX--Continued**

PART NO.	SUBGROUP	PART NO.	SUBGROUP	PART NO.	SUBGROUP
WO-802432	0609.1	WO-804367	0103	WO-805130	2208.1
WO-802454	{0601.1	WO-804376	0603	WO-805150	1311
	{0601.3	WO-804377	0103	WO-805238	1204.1
WO-802496	0106.2	WO-804379	0103	WO-805397	0613.1
WO-802498	1004	WO-804380	0101	WO-805398	0613.1
WO-802509	1204.5	WO-804384	1401	WO-805399	0613.1
WO-802525	2210	WO-804385	1401	WO-805400	0607
WO-802526	2210	WO-804386	1401	WO-805401	0613.1
WO-802528	0309	WO-804387	1401	WO-805454	0103
WO-802548	0101	WO-804388	1401	WO-805465	1202
WO-802550	1204.3	WO-804389	0611	WO-805472	0101
WO-802551	1204.3	WO-804390	1401	WO-805574	0608
WO-802552	1101	WO-804391	1401	WO-805767	0103
WO-802555	1101	WO-804392	1401	WO-805768	0103
WO-802556	1101	WO-804396	0603	WO-805783	1004
WO-802557	1102	WO-804399	1401	WO-805784	1004
WO-802558	1102	WO-804402	0202	WO-805788	1000
WO-802559	1102	WO-804404	0106.6	WO-805789	1000
WO-802560	1102	WO-804417	0103	WO-805791	1100
WO-802561	1102	WO-804418	0103	WO-805815	0106.2
WO-802562	1102	WO-804484	0106.1	WO-805842	{0106.1
WO-802563	1102	WO-804486	0106.1		{0302.1
WO-802564	1102	WO-804488	0100.2	WO-805877	0802.7
WO-802566	1100	WO-804494	0306	WO-805935	0202
WO-802567	1100	WO-804495	0306	WO-806004	0100.2
WO-802576	0105.3	WO-804533	1401	WO-806005	0100.1
WO-802579	0704	WO-804534	1401	WO-806007	0100.2
WO-802600	0900	WO-804535	1401	WO-806012	0202
WO-802608	0309	WO-804611	2002.5	WO-806036	0802.7
WO-802609	0309	WO-804623	0611	WO-806037	0802.5
WO-802612	0704	WO-804639	0607	WO-806038	0802.7
WO-802613	0309	WO-804718	2210	WO-806072	0601.3
WO-802633	2210	WO-804719	2210	WO-806139	0306
WO-802634	2210	WO-804739	2210	WO-806146	0104.1
WO-802635	{0612	WO-804741	2210	WO-806330	0604.1
	{0613.1	WO-804744	0202	WO-806363	0607
WO-802665	0304.5	WO-804745	0202	WO-806365	1503
WO-802727	0601.3	WO-804746	0201	WO-806369	1401
WO-802765	1503	WO-804758	0603	WO-806370	1401
WO-802768	1503	WO-804764	2002.5	WO-806371	1401
WO-802887	1104.1	WO-804765	2002.5	WO-806372	1401
WO-802893	0611	WO-804782	0613.1	WO-806415	0613.1
WO-802894	0611	WO-804783	0608	WO-806430	1401
WO-802924	0103	WO-804784	{0608	WO-806450	0607
WO-802925	0103		{0613.1	WO-806515	0106.6
WO-804041	2002.5	WO-804805	0201	WO-806624	0612
WO-804201	1204.5	WO-804812	0103	WO-806625	0612
WO-804255	2210	WO-804821	1311		{0612
WO-804276	{0106.5	WO-804873	0610	WO-806673	{1804.1
	{0304.5	WO-804874	0607		{1808
WO-804277	{0106.5	WO-804936	0101	WO-806674	0607
	{0304.5	WO-804937	0101	WO-806718	2208.1
WO-804289	0103	WO-805012	0306	WO-806719	2208.1
WO-804306	0103	WO-805014	0202	WO-806746	1401
WO-804314	0103	WO-805015	0202	WO-806749	1401
WO-804329	0604.1	WO-805016	0202	WO-806750	1401
WO-804330	0613.1	WO-805017	0201	WO-806752	1401
WO-804362	0603	WO-805129	2208.1	WO-806764	0505

**ORDNANCE AND MANUFACTURERS' PART NUMBER INDEX—Continued**

PART NO.	SUBGROUP	PART NO.	SUBGROUP	PART NO.	SUBGROUP
WO-806777	0613.1	WO-808798	0104.1	SCI-10-34808	0607
WO-806778	0613.1	WO-808799	0104.1	SCI-10-34835	0607
WO-807154	0617	WO-808858	0702.1	SCI-10-34880	0607
WO-807161	{0309	WO-808936	0202	SCI-10-34882AY	0607
	{0610	WO-808969	2101	SCI-10-34883	0607
WO-807208	{0202	WO-809021	0104.1	SCI-10-34884	0607
	{1206	WO-809022	0104.1	SCI-10-34885	0607
WO-807211	2210	WO-809023	0104.1	SCI-10-34886	0607
WO-807212	2210	WO-809025	0104.1	SCI-10-34887	0607
WO-807216	2210	WO-809026	0104.1	SCI-10-34888	0607
WO-807245	2210	WO-809027	0104.1	SCI-10-34890	0607
WO-807266	{1002	WO-809047	0104.1	SCI-10-34907	0607
	{1102	WO-809048	0104.1	SCI-10-34908	0607
WO-807267	1101	WO-809049	0104.1	SCI-10-34911	0607
WO-807356	1204.3	WO-809186	1401	SCI-10-34919	0607
WO-807357	1204.3	WO-809187	1401	SCI-10-34921	0607
WO-807411	1204.3	WO-809188	1401	SCI-10-34924	0607
WO-807467	0304.5	WO-809189	1401	SCI-10-34959	0607
WO-807471	0202	WO-809190	1401	SCI-10-34961	0607
WO-807488	0202	WO-809191	1401	SCI-10-35242	0607
WO-807495	0304.5	WO-809548	1101	SCI-10-35243	0607
WO-807564	1503	WO-809706	2001.3	SCI-10-36383	0613.1
WO-807574	0304.5	WO-809916	0106.6	IHC-104054R1	2208.1
WO-807578	1503	WO-810058	0501	SCI-10-51120	0607
WO-807641	0302.1	WO-810081	1006	SCI-10-51124	0607
WO-807690	0900	WO-810082	1006	SCI-10-54701	0607
WO-807693	1102	WO-810085	1006	SCI-10-54703	0607
WO-807695	0802.5	WO-810086	1006	SCI-10-54716	0607
WO-807710	0503	WO-810087	1006	SCI-10-54717	0607
WO-807767	0802.7	WO-810088	1006	SCI-10-54723	0607
WO-807779	0900	WO-810091	1006	SCI-10-77686	0607
WO-807780	0900	WO-810092	1006	DR-1117486	0601.3
WO-807781	0900	WO-810095	1006	DR-1117495	0601.3
WO-807784	0900	WO-811645	1204.1	CC-1273357	0609.1
WO-807801	0900	WO-811646	1204.1	CC-1273972	0609.1
WO-807873	1000	GM-838263	0302.1	AC-1411094	0302.1
WO-807875	1100	WG-T84750-1/2A	0802.1	AC-1501207	0607
WO-807889	0103	ABF-8501-38	0201	AC-1501244	0607
WO-807892	0802.5	TRI-86520-1	2202	AC-1507429	0607
WO-807941	0104.2	TRI-86521-3	2202	AC-1507430	0607
WO-807944	0104.2	TRI-P86636-1-J	2202	AC-1507491	0607
WO-807947	0104.2	SCI-L8719-32	0617	AC-1507492	0610
WO-807948	0104.2	TRI-8897-17	2202	AC-1507502	0607
WO-808000	0103	WO-906275	1202	AC-1507680	0607
WO-808062	1601.3	WO-906680	1006	AC-1512244	0607
WO-808065	1601.1	WO-906703	1006	AC-1512245	0610
WO-808359	0106.6	WO-907749	1501	AC-1512422	0607
WO-808385	0106.1	GL-923121	0609.1	AC-1512423	0610
WO-808457	2210	GL-925876	0609.1	AC-1516860	0607
WO-808595	1311	AC-928561	0607	AC-1517270	0607
WO-808769	1311	GL-928561	0607	AC-1517375	0610
WO-808770	1311	GL-928562	0607	AC-1517561	0607
WO-808783	1311	SCI-10-28807	0607	AC-1521288	0302.1
WO-808784	1311	SCI-10-29974	0607	AC-1521476	0302.1
WO-808793	0104.1	IHC-103299R1	0609.1	AC-1521906	0302.1
WO-808794	0104.1	IHC-103305R1	0609.1	AC-1521907	0302.1
WO-808795	0104.1	SCI-10-34690	0607	AC-1521908	0302.1
WO-808797	0104.1	SCI-10-34807Y	0607	AC-1521909	0302.1

**ORDNANCE AND MANUFACTURERS' PART NUMBER INDEX—Continued**

PART NO.	SUBGROUP	PART NO.	SUBGROUP	PART NO.	SUBGROUP
AC-1521953	0302.1	DR-1914906	0601.3	DR-1921761	0601.3
AC-1522023	0302.1	DR-1915853	0601.3	DR-1921762	0601.3
AC-1522222	0302.1	DR-1916007	0601.3	DR-1921764	0601.3
AC-1523033	0302.1	DR-1916008	0601.3	DR-1921772	0601.3
AC-1523043	0302.1	DR-1916106	0601.3	DR-1921773	0601.3
AC-1523120	0302.1	DR-1916107	0601.3	DR-1922304	0601.3
AC-1523122	0302.1	DR-1916132	0601.3	DR-1997856	0607
AC-1523221	0302.1	DR-1916133	0601.3	SP-200122-1	0900
AC-1523259	0302.1	DR-1916134	0601.3	CED-2209-212	0613.1
AC-1523393	0302.1	DR-1916135	0601.3	SP-22-381-19	0802.5
AC-1523664	0302.1	DR-1916137	0601.3	AHC-AF503-13-14	0106.6
AC-1523801	0302.1	DR-1916139	0601.3	AHC-AF504-22-1/2	0106.6
AC-1523802	0302.1	DR-1916140	0601.3	5160316	0900
AC-1523803	0302.1	DR-1916141	0601.3	5160323	1204.1
AC-1523805	0302.1	DR-1916143	0601.3	5167516	0802.7
AC-1537096	0302.1	DR-1916146	0601.3	5214539	{0603
AC-1537195	0302.1	DR-1916149	0601.3		}1204.1
AC-1538355	0302.1	DR-1916150	0601.3	5214739	0302.1
AC-1538356	0302.1	DR-1916151	0601.3	5214743	0302.1
AC-1538357	0302.1	DR-1916152	0601.3	5214746	0302.1
AC-1538358	0302.1	DR-1916153	0601.3	5214750	0302.1
AC-1539585	0302.1	DR-1916154	0601.3	5214752	0302.1
AC-1539917	0302.1	DR-1916155	0601.3	5214757	0302.1
TI-S154-1864	0605	DR-1916156	0601.3	5214758	0302.1
AC-1543018	0304.5	DR-1916157	0601.3	5214759	0302.1
AC-1559183	0605	DR-1916158	0601.3	5214761	0302.1
AC-1559185	0605	DR-1916159	0601.3	5214764	0302.1
AC-1567648	0302.1	DR-1916160	0601.3	5214776	0804
AC-1568220	2208.1	DR-1916161	0601.3	5214784	0804
AC-1568362	2208.1	DR-1916209	0601.3	5214889	0302.1
AC-1589260	2208.1	DR-1916211	0601.3	5214987	0302.1
AC-1580377	0607	DR-1916320	0601.3	5245630	0311.1
AC-1580553	0607	DR-1916321	0601.3	5245634	0311.1
AC-1580678	0607	DR-1916322	0601.3	5245638	0311.1
AC-1580679	0607	DR-1916324	0601.3	5245639	0311.1
AC-1580680	0607	DR-1916325	0601.3	5245640	0311.1
AC-1580684	0607	DR-1916326	0601.3	5245643	0311.1
AC-1580786	2208.1	DR-1916413	0601.3	5245644	0311.1
AC-1580836	0607	DR-1916415	0601.3	5245645	0311.1
AC-1580890	0607	DR-1916416	0601.3	5245651	0311.1
AC-1580891	0607	DR-1916417	0601.3	5246557	0202
AC-1580892	0607	DR-1916541	0601.3	5246558	0202
AC-1581271	0607	DR-1916542	0601.3	5261672	0302.1
AC-1581283	0607	DR-1916642	0601.3	5262210	0501
AC-1581351	2208.1	DR-1916643	0601.3	5276883	0702.1
AC-1581433	2208.1	DR-1916645	0601.3	5281457	0301
AC-1581436	2208.1	DR-1916646	0601.3	PC-5292266D	0613.1
AC-1581439	2208.1	DR-1916773	0601.3	PC-5292272	0613.1
AC-1581449	2208.1	DR-1917582	0601.3	PC-5292274	0613.1
AC-1582076	0607	DR-1917894	0601.3	PC-5292275	0613.1
AC-1582077	0607	DR-1917993	0601.3	PC-5292276	0617
DR-1903433	0607	DR-1918043	0601.3	PC-5292376	{0612
DR-1904514	0601.3	DR-1919233	0601.3		}0613.1
DR-1904516	0601.3	DR-1919234	0601.3	PC-5292509	0612
DR-1906927	0601.3	DR-1921747	0601.3	PC-5292510	0612
DR-1913360	0607	DR-1921755	0601.3	PC-5292511	0612
DR-1913678	0601.3	DR-1921760	0601.3	PC-5292512	0613.1
DR-1914589	0601.3	DR-1921761	0601.3	PC-5292615	0612

**ORDNANCE AND MANUFACTURERS' PART NUMBER INDEX—Continued**

PART NO.	SUBGROUP	PART NO.	SUBGROUP	PART NO.	SUBGROUP
5292984	0302.1	AC-5592898	0302.1	7032632	1102
5293029	0301	AC-5592899	0302.1	7032633	1102
5293030	0301	AC-5592953	0302.1	7032634	1102
5293034	0301	5627204	1202	7032635	{ 0802.5
5293056	0301	5701238	0601.3		{ 1002
5293063	0301	GL-5935713	0609.1		{ 1102
5294507	0609.1	GL-5936219	0609.1	7033652	0311.1
PC-5295736	0612	GL-5938368	0609.1	7033653	0311.1
PC-5295737	0612	GL-5939695	0609.1	7033654	0311.1
5307178	0900	GL-5939696	0609.1	7033655	0311.1
5307283	0604.1	GL-5939697	0609.1	7033656	0311.1
5307289	0900	GL-5939700	0609.1	7036380	0802.5
5307299	0900	GL-5939701	0609.1	7036544	0802.7
5307509	0503	GL-5939703	0609.1	7036567	1401
5307550	0900	GL-5939708	0609.1	7036575	{ 0304.1
5307552	0900	GL-5939709	0609.1		{ 0304.5
5308275	0603	GL-5939710	0609.1	7036578	0106.6
5308280	0106.2	IL-5939710	0609.1	7036579	0105.1
5308281	0106.2	GL-5939713	0609.1	7036584	1401
5308307	0603	GL-5939715	0609.1	7036585	1401
5312057	0301	GL-5939716	0609.1	7036587	1401
5323138	0302.1	IL-5939719	0609.1	7036588	1401
5327338	2202	GL-5939719	0609.1	7037062	0311.1
5333811	0101	GL-5939730	0609.1	7039934	0106.2
5336400	0304.5	GL-5939750	0607	7044253	1503
5340173	0106.1	AC-5939764	0607	7047950	0106.6
5346736	0301	GL-5939765	0607	7047962	0304.1
5346737	0301	AC-5939768	0607	7047970	0304.5
5346738	0301	GL-5939807	0607	7047998	{ 0304.5
5346760	0603	6170220	0302.1		{ 0306
5346762	0603	6184238	0302.1		{ 0613.1
5346767	0604.1	6210568	0609.1		{ 1201
5346768	0604.1	6245928	0106.2	7048736	0401
5346774	0604.1	6264302	1201	7053669	0311.3
5346775	0604.1	6264303	1201	7056639	{ 0612
5346784	0604.1	SP-6-73-1117	1004		{ 0613.1
5381088	0607		{ 0106.2	7056708	0617
GE-B5414857	0613.1		{ 0311.3	7056719	0613.1
GE-A5428338	0613.1	7000997	{ 0613.1	7058965	2202
AC-5590046	0302.1		{ 1201	7065897	0304.1
AC-5590123	0302.1		{ 2202	7065898	0304.1
AC-5590460	0302.1	7001411	1202	7065899	0304.1
AC-5590533	0302.1	7001905	0302.1	7065900	0704
AC-5591830	0302.1	7001906	0302.1	7065901	{ 1601.1
AC-5591860	0302.1	7010486	0304.1		{ 1601.3
AC-5591959	0302.1	7010695	0302.1	7073209	1503
AC-5592147	0302.1	7016403	0302.1	7073213	1503
AC-5592251	0302.1	7032605	0304.5	7097359	0311.1
AC-5592291	0302.1	7032606	1104.1	7097371	0311.1
AC-5592293	0302.1	7032607	0304.5	7097373	0311.1
AC-5592295	0302.1	7032623	0704	7097374	0311.1
AC-5592298	0302.1	7032624	0704	7097376	0311.1
AC-5592299	0302.1	7032625	1204.5	7097380	0311.1
AC-5592300	0302.1	7032626	1006	7097381	0311.1
AC-5592331	0302.1	7032628	1004	7097382	0311.1
AC-5592332	0302.1	7032629	1101	7097384	0311.1
AC-5592501	0302.1	7032630	1102	7097385	0311.1
AC-5592659	0302.1	7032631	1102	7097386	0311.1

**ORDNANCE AND MANUFACTURERS' PART NUMBER INDEX—Continued**

PART NO.	SUBGROUP	PART NO.	SUBGROUP	PART NO.	SUBGROUP
7099460	2202	7348565	1805	7361994	{ 0312
7261670	0613.1	7348567	1805		} 2002.5
7261674	0613.1	7348568	0304.5	7362105	0504
7320642	0609.1	7348569	0615	7362371	1204.1
7320688	0609.1	7348571	0503	7367859	1401
7321299	0613.1	7348574	0611	7368258	0312
7324058	0301	7348578	0604.1	7368260	0202
7324060	0301	7348580	0603	7368267	0106.5
7324833	{ 0312	7348600	0900	7368702	0607
	} 0612	7348602	1001	7369850	0801
7324834	1204.1	7348603	1002	7369879	0106.2
7324835	0312	7348604	{ 1002	7369880	0106.2
7324837	0304.1		} 1102	7369881	0106.2
7324840	{ 0103	7348605	1004	7369882	0106.6
	} 0104.1	7348606	1100	7369888	0603
7324841	0201	7348609	1204.3	7369889	0603
7324848	1804.3	7348610	1204.3	7369951	2201
7324850	0800	7348611	1201	7369952	2201
7324852	1201	7348759	1006	7371002	1204.5
7326118	0202	7348762	1006	7371009	1204.5
7328291	1311	7348763	1006	7371010	1201
7328292	1311	7348764	1006	7371011	1201
7328293	1311	7348765	1006	7371018	1201
7328294	1311	7348766	1006	7371030	1401
7328371	1311	7348767	1006	7371035	0802.7
7328375	1311	7348768	1006	7371037	0800
7328376	1311	7348820	1401	7371047	0401
7329277	0104.1	7348852	1204.3	7371054	1601.1
7329386	0604.1	7348949	0602	7371055	1601.3
7330714	0104.1	7350113	0702.3	7371056	1501
7330828	0604.1	7350298	1401	7371057	1601.1
7340237	1206	7350354	1401	7371059	1601.1
7343030	1401	7351052	0704	7371061	{ 1601.1
7343032	1604.1	7351133	0604.1		} 1601.3
7343086	0613.1	7351311	0304.1	7371081	1691.1
7343368	0301	7351313	1104.1	7371090	{ 1601.1
7346728	1101	7351314	1805		} 1601.3
7346938	0612	7351315	0309	7371096	1401
7346939	0612	7351316	0309	7371099	0802.7
7346940	0612	7351374	0304.5	7371102	1002
7346941	2101	7351376	1401	7371103	1001
7346943	0612	7351377	0304.5	7371105	1004
7346945	0613.1	7351395	0202	7371106	1311
7346969	0604.1	7351403	1006	7371108	1004
7347355	0604.1	7351404	1006	7371110	1006
7347500	1808	7351413	0105.3	7371112	1204.3
7347502	1808	7351671	0604.1	7371137	0101
7347547	0604.1	7353508	0609.1	7371138	0101
7347560	0602	7355596	0604.1	7371144	0104.1
7347568	0603	7355600	0607	7371145	0104.1
7347571	0603	7355736	0601.3	7371146	0104.1
7347572	0603	7355819	0613.1	7371147	0104.1
7347733	1006	7355830	2208.1	7371159	0105.5
7347736	1501	7355926	0613.1	7371160	0102.1
7348511	0103	7355938	0617	7371161	0102.1
7348512	0101	7358569	0604.1	7371188	{ 0601.1
7348513	0612	7358621	0607		} 0601.3
7348525	2201			7371191	{ 0103
					} 0603

**ORDNANCE AND MANUFACTURERS' PART NUMBER INDEX--Continued**

PART NO.	SUBGROUP	PART NO.	SUBGROUP	PART NO.	SUBGROUP
7371193	0312	7371449	0312	7372540	0301
7371194	0312	7371450	0312	7372541	0301
7371195	2208.1	7371451	0312	7372542	0301
7371204	0802.7	7371454	0312	7372543	0301
7371209	0802.7	7371493	0102.2	7372544	0100.2
7371212	0802.5	7371501	0103	7372545	0100.2
7371213	0802.3	7371503	0102.2	7372546	1501
7371226	0102.1	7371504	0102.2	7372547	1501
7371227	0102.2	7371700	0103	7372548	0100.2
7371229	0102.2	7371759	0800	7372550	0100.2
7371231	0103	7371762	1201	7372551	0100.2
7371232	0103	7371859	1201	7372553	{0106.5
7371235	0105.1	7372262	2202		}0304.5
7371236	0105.1	7372318	1204.1	7372554	{0106.5
7371237	0105.1	7372342	1204.1		}0304.5
7371238	0105.1	7372343	1204.5	7372556	0101
7371258	0105.2	7372348	1204.3	7372557	0106.6
7371264	0106.6	7372361	1204.3	7372558	0102.1
7371267	0106.6	7372447	0704	7372559	0102.1
7371268	0106.1	7372448	0704	7372560	0102.1
7371271	0106.1	7372456	0704	7372562	0108
7371272	0106.5	7372500	0301	7372563	0108
7371275	0106.1	7372501	0301	7372564	0102.2
7371278	0106.6	7372502	0301	7372565	0102.2
7371279	0106.1	7372503	0301	7372566	0102.2
7371281	0102.2	7372505	1501	7372567	0102.2
7371283	0106.6	7372506	1501	7372568	0102.2
7371284	0106.6	7372507	1501	7372569	0102.2
7371286	0106.5	7372508	0301	7372570	0102.2
7371311	0615	7372509	0301	7372571	0102.2
7371337	0202	7372510	0301	7372572	0102.2
7371338	0202	7372511	0301	7372573	0102.2
7371339	0202	7372512	0301	7372574	0102.2
7371340	0202	7372513	0301	7372575	0102.2
7371341	0103	7372514	0301	7372576	0105.5
7371342	0202	7372515	0301	7372578	0105.5
7371363	0202	7372517	0301	7372579	0105.5
7371366	0202	7372518	0301	7372582	0103
7371368	{0103	7372519	0301	7372583	0103
	}0201	7372521	0301	7372585	0105.2
7371371	0802.5	7372522	0301	7372586	0106.1
7371373	0802.7	7372523	0301	7372587	0106.1
7371376	0102.1	7372524	0301	7372590	0106.2
7371377	0503	7372525	0301	7372591	0106.2
7371383	0504	7372526	0301	7372592	0106.6
7371385	0504	7372527	0301	7372661	0201
7371386	0503	7372528	0301	7372664	0201
7371388	0108	7372529	0301	7372667	0702.5
7371389	0108	7372530	0301	7372668	1201
7371390	0401	7372531	0301	7372670	1806
7371391	0108	7372532	0301	7372677	1808
7371392	0108	7372533	0301	7372678	1101
7371393	0108	7372534	0301	7372679	1102
7371394	0108	7372535	0301	7372680	1100
7371395	0108	7372536	0301	7372727	0607
7371396	0108	7372537	0301	7372738	0607
7371398	0108	7372538	0301	7372750	0607
7371439	1002	7372539	0301		

**ORDNANCE AND MANUFACTURERS' PART NUMBER INDEX—Continued**

PART NO.	SUBGROUP	PART NO.	SUBGROUP	PART NO.	SUBGROUP
7372752	{0106.5 0304.5	7372855	{1002 1102	7373146	1002
7372801	0501	7372856	1002	7373148	1004
7372803	0501	7372857	1002	7373156	0802.5
7372804	0501	7372858	{1002 1102	7373157	{0802.5 0802.7
7372806	0504	7372859	1002	7373158	0802.7
7372807	0504	7372860	1002	7373159	0802.7
7372808	0503	7372863	{1002 1102	7373160	0802.7
7372809	0504	7372864	1006	7373162	0801
7372810	0504	7372865	1006	7373164	0802.5
7372811	0504	7372866	1006	7373165	0802.5
7372816	0505	7372867	1006	7373166	0802.7
7372818	2101			7373177	1201
7372819	2101			7373185	0802.5
7372820	2101		{0802.7	7373188	1004
7372821	0202	7372868	{1002 1102	7373350	0601.3
7372822	0202			7373354	1204.1
7372823	0202	7372869	1006	7374746	0601.1
7372824	{0202 1206	7372870	1006	7374748	0601.1
		7372872	1006	7374749	0601.1
7372825	0202	7372873	0104.1	7374750	0601.1
7372826	0202	7372874	0104.1	7374822	0602
7372827	{0202 1206	7372875	0104.1	7374823	0602
		7372876	0104.1	7374825	0602
7372832	1204.5	7372877	0701	7374842	0311.3
7372833	1204.5	7372878	0800	7374851	0601.1
7372834	1204.5			7374852	0601.1
7372835	1204.5	7372879	{0701 0801 1004	7374853	0601.1
7372836	1204.5			7374854	0601.1
7372837	1204.5	7372881	2101	7374855	0601.1
7372838	1204.3	7372882	2101	7374856	0601.1
7372839	1204.5	7372883	2101	7374857	0601.1
7372840	1206	7372884	2101	7374858	0601.1
7372842	1001	7372885	1703	7374859	0601.1
7372843	{1002 1102	7372886	{1701 2101	7374860	0601.1
				7374861	0601.1
7372844	{1002 1102	7372887	2101	7374862	0601.1
		7372888	2101	7374863	0601.1
7372845	{1002 1102	7372889	2201	7374865	0601.3
		7372890	2201	7374866	0601.3
7372846	{1002 1102	7372891	2201	7374877	0604.1
		7372892	2201	7374878	0604.1
7372847	{1002 1102	7372893	2201	7374881	0604.1
		7372894	1808	7374882	0605
7372848	{1002 1102	7372895	2201	7374885	0604.1
		7372896	2201	7374886	0601.1
7372849	{1002 1102	7372897	2201	7374887	0604.1
		7372898	2201	7374888	0604.1
7372850	{1002 1102	7372899	2201	7374890	0604.1
		7373108	1006	7374893	0604.1
7372851	{1002 1102	7373111	1401	7374894	0604.1
		7373112	0804	7374895	0604.1
7372852	{1002 1102	7373115	0802.7	7374896	0604.1
		7373116	0804	7374917	0602
7372853	{1002 1102	7373117	0804	7374918	0602
		7373118	0804	7374919	0602
7372854	1002	7373119	0804	7374920	0602
		7373121	1002	7374921	0602

**ORDNANCE AND MANUFACTURERS' PART NUMBER INDEX—Continued**

PART NO.	SUBGROUP	PART NO.	SUBGROUP	PART NO.	SUBGROUP
7374922	0602	7375013	0306	7375076	0401
7374923	0602	7375014	0306	7375077	0401
7374924	0602	7375015	0306	7375078	0401
7374925	0602	7375016	0306	7375081	0800
7374930	0603	7375017	0306	7375082	0800
7374938	0603	7375018	0306	7375083	0800
7374940	0603	7375019	0306	7375085	0612
7374943	0602	7375020	0306	7375086	0612
7374944	0602	7375021	0505	7375087	0612
7374945	0602	7375022	0609.1	7375088	0611
7374960	0602	7375023	0609.1	7375090	0611
7374961	0602	7375024	0609.1	7375091	0603
7374962	0602	7375025	0100.2	7375092	0603
7374964	0602	7375026	0100.1	7375093	0603
7374965	0602	7375028	0102.1	7375094	0603
7374966	0804	7375029	0103	7375095	0603
7374967	0804	7375030	0501	7375097	0603
7374968	0804	7375032	0105.1	7375098	0603
7374969	0704	7375033	0105.1	7375099	0603
7374970	0704	7375034	0105.1	7375100	0603
7374971	0704	7375035	0105.1	7375102	0603
7374972	0704	7375036	0306	7375103	0603
7374973	0704	7375037	0306	7375104	0603
7374974	0704	7375038	0306	7375105	0603
7374975	0704	7375039	0306	7375106	0603
7374976	0704	7375040	0306	7375107	0603
7374977	0704	7375041	0306	7375108	0603
7374978	0704	7375042	0306	7375109	0603
7374979	0704	7375043	0306	7375110	0604.1
7374980	0704	7375045	1004	7375111	0312
7374982	1104.1	7375046	1004	7375112	0312
7374983	1104.1	7375047	1004	7375113	0312
7374984	1104.1	7375048	1004	7375114	0312
7374985	1104.1	7375049	1004	7375115	0312
7374986	1104.1	7375051	0801	7375116	0312
7374987	1104.1	7375052	0801	7375117	0312
7374990	0802.5	7375053	0801	7375118	0304.1
7374991	0702.3	7375054	0108	7375119	0304.1
7374992	0702.3	7375055	0106.5	7375120	0304.1
7374993	0702.3	7375056	0106.2	7375121	0304.1
7374994	0702.3	7375057	0106.2	7375122	0304.1
7374995	0702.3	7375058	0106.2	7375123	1800
7374996	0702.3	7375059	0106.2	7375124	2208.1
7374998	0702.3	7375060	0106.2	7375125	0304.5
7374999	0702.3	7375062	0106.2	7375126	0304.5
7375000	1601.3	7375063	0311.3	7375127	0304.5
7375001	1601.3	7375064	{0312	7375128	0304.5
7375002	1601.3		}2208.1	7375129	0304.5
7375003	1601.3	7375065	{0202	7375130	0304.5
7375004	1601.3		}1206	7375131	0802.1
7375005	1601.3	7375066	1201	7375132	0802.1
7375006	1601.3	7375067	1000	7375133	0802.3
7375007	1806	7375068	0312	7375134	0802.3
7375008	1806	7375069	0312	7375135	0802.3
7375009	1806	7375071	{0601.1	7375136	1104.1
7375010	0306		}0601.3	7375137	1311
7375011	0306	7375072	0106.1	7375138	1104.1
7375012	0306	7375075	0401	7375139	1311



**ORDNANCE AND MANUFACTURERS' PART NUMBER INDEX--Continued**

PART NO.	SUBGROUP	PART NO.	SUBGROUP	PART NO.	SUBGROUP
7375142	1311	7375312	1804.3	7375382	0302.1
7375143	1311	7375313	1804.3	7375383	0302.1
7375144	1311	7375314	1808	7375385	0302.1
7375146	0610	7375315	1804.3	7375386	0604.1
7375147	{0309	7375316	1804.3	7375388	{0601.1
	{0610	7375317	1804.3		{0601.3
7375148	0610	7375318	1804.3	7375389	{0601.1
7375150	{0611	7375319	1804.3		{0601.3
	{1401	7375320	1804.3	7375390	0304.1
7375153	2002.5	7375321	1804.3	7375391	0312
7375155	1401	7375322	1401	7375392	0312
7375157	1805	7375323	1401	7375393	1401
7375158	1805	7375324	2201	7375394	1804.3
7375159	1804.3	7375330	0601.1	7375395	1808
7375160	1804.3	7375331	1401	7375396	1804.3
7375161	1804.3	7375332	1401	7375397	1804.3
7375162	1804.1	7375333	1401	7375398	1804.2
7375163	1808	7375334	1401	7375399	1808
7375164	1808	7375335	1401	7375440	1204.1
7375165	1808	7375336	1401	7375694	0609.1
7375166	1808	7375337	1401	7375797	0202
7375167	1804.1	7375339	1401	7376904	0106.6
7375168	1804.1	7375340	1401	7376905	1806
7375169	1808	7375341	1401	7376907	0106.1
7375170	1805	7375342	1401	7377745	1202
7375171	0304.5	7375343	1401	7377746	1202
7375172	{0106.5	7375344	1401	7377751	1201
	{0304.5	7375345	1401	7377752	1201
7375174	{0601.1	7375346	1401	7377753	1201
	{0601.3	7375347	1401	7377754	1201
7375175	{0601.1	7375348	1401	7377755	1201
	{0601.3	7375349	1401	7377756	1201
7375176	1204.1	7375350	1808	7377757	1201
7375177	1401	7375351	1808	7377758	1201
7375178	1401	7375352	1808	7377759	1201
7375179	1401	7375353	{1805	7378054	0301
7375180	1401		{1808	7378081	0301
7375181	1401	7375354	1808	7378099	0301
7375182	1401	7375355	1808	7384388	0607
7375183	1401	7375356	1804.1	7384389	0607
7375188	2202	7375357	0602	7384392	0607
7375189	2202	7375358	1808	7387807	1311
7375190	2202	7375359	1808	7388074	0106.6
7375192	1102	7375360	1804.3	7388319	{0601.1
7375195	1102	7375361	1804.3		{0601.3
7375196	1102	7375362	1804.3	7388352	0607
7375197	1102	7375364	1501	7388375	0601.3
7375300	0603	7375366	0309	7388376	0601.3
7375301	0603	7375371	{0602	7388377	0601.3
7375302	0603		{0604.1	7388382	0601.3
7375303	0603	7375372	0604.1	7388813	0608
7375304	0603	7375373	0604.1	7389566	0610
7375305	0603	7375375	0604.1	7389567	0607
7375306	0603	7375376	0604.1	7389881	2208.1
7375307	0603	7375377	0604.1	7391017	0601.3
7375308	0603	7375378	0604.1	7391018	0601.3
7375309	0603	7375380	0302.1	7408093	0607
7375311	1804.3	7375381	0302.1	7408094	0607

**ORDNANCE AND MANUFACTURERS' PART NUMBER INDEX—Continued**

<b>PART NO.</b>	<b>SUBGROUP</b>	<b>PART NO.</b>	<b>SUBGROUP</b>	<b>PART NO.</b>	<b>SUBGROUP</b>
7408095	0607	7411935	2001.1	7412584	2210
7408098	0607	7411936	2001.1	7412585	2210
7408100	0607	7411937	2001.1	7412641	0607
7408102	0607	7411938	2001.1	7412643	0613.1
7408108	0607	7411939	2001.1	7412658	0101
7408115	0607	7411940	{2001.1	7412945	1204.3
7408117	0607		}2002.1	7412959	0301
7408118	0607	7411941	2001.1	7412960	0604.1
7408120	0607	7411942	2001.1	7413199	0302.1
7408130	0607	7411943	2001.1	7413315	0601.3
7408131	0607	7411944	2001.1	7413317	0601.3
7408134	0607	7411945	2001.1	7413318	0601.3
7408304	0607	7411950	2001.3	7413319	0601.3
7408305	0607	7411952	2001.3	7414209	0607
7408323	0607	7411953	2001.3	7415729	2101
7408324	0607	7411954	2001.5	7415847	1804.3
7408338	0607	7411955	2001.5	7416462	1401
7408358	0607	7411956	2001.5	7416477	0306
7408359	0607	7411957	2001.5		{0106.1
7408360	0607	7411958	2001.5	7416478	}0302.1
7409316	1204.1	7411959	2001.5		}1204.1
7410563	0311.1	7411961	2002.1	7416485	1006
7410623	2202	7411962	2002.1	7416486	1006
7410836	{0106.5	7411963	2002.1	7416495	0302.1
	}0304.5	7411964	2002.1	7416521	0608
7410837	1503	7411965	2002.1	7416527	1401
7410838	1503	7411966	2002.1	7417590	0311.1
7410839	2210	7411967	2002.1	7417607	1204.1
7411069	1204.1	7411970	2002.1	7418001	1201
7411250	0504	7411971	2002.1	7418111	0104.1
7411646	2001.3	7411972	2002.1	7418112	0104.1
7411677	2001.3	7411973	2002.5	7418113	0104.1
7411679	2001.3	7411974	2002.5	7418114	0104.1
7411681	2001.3	7411975	2002.5	7418115	0104.1
7411685	2001.3	7411976	2002.5	7418139	1204.1
7411687	2001.3	7411977	2002.5	7418140	1204.1
7411690	{2001.3	7411979	2002.5	7418146	1204.5
	}2002.1	7411980	2002.5	7418147	{0607
7411799	2001.1	7411981	2002.5		}1805
7411800	2001.1	7411982	2002.5	7418148	1805
7411801	2001.1	7411983	2002.5	7418230	2210
7411802	2001.1	7412176	1202	7418343	0609.1
7411803	2001.1	7412178	1202	7418481	0612
7411804	2001.1	7412179	1202	7418482	0612
7411805	2001.1	7412437	0601.1	7418483	0612
7411920	2001.1	7412439	0604.1	7418835	0607
7411921	2001.1	7412441	0611	7520739	0105.1
7411922	2001.1	7412442	0611	7520991	1004
7411923	2001.1	7412445	1401	7521218	0102.2
7411924	2001.1	7412446	1401	7524309	0602
7411925	2001.1	7412447	1401	7524312	1503
7411926	2001.1	7412573	0613.1	7524313	1503
7411927	2001.1	7412576	1401	7524314	1503
7411930	2001.1	7412577	1401	7524315	1503
7411931	2001.1	7412578	1401	7524316	1503
7411932	2001.1	7412579	1401	7524474	0601.3
7411933	2001.1	7412580	1401	7524564	0613.1
7411934	2001.1	7412582	2210		
		7412583	2210		

**ORDNANCE AND MANUFACTURERS' PART NUMBER INDEX—Continued**

PART NO.	SUBGROUP	PART NO.	SUBGROUP	PART NO.	SUBGROUP
	{0609.1	7528174	0605	7538786	0601.3
7524649	{0611	7528175	0605	7538787	0601.3
	{0613.1	7528178	{0605	7539073	{0309
	{0617		{0615		{0610
7524674	0613.1	7528181	0615	7539118	0306
7524909	0610	7528182	0605	7539125	0302.1
7524953	0617	7528183	0615	7539155	1201
7525365	0609.1	7528185	0605	7539310	1204.1
7525936	0609.1	7528187	{0605	7539396	0607
7525937	0609.1		{0615	7539500	0613.1
7525938	0609.1	7528189	0615	7539516	0607
7525939	0609.1	7528190	0615	7539517	0607
7525940	0609.1	7528192	{0605	7539519	0607
7525998	0609.1		{0615	7539529	0601.3
7525999	0609.1	7528193	{0605	7539618	0602
7526000	0609.1		{0615	7539688	2208.1
7526001	0609.1	7528194	0615	7539689	2208.1
7526002	0609.1	7528195	0615	7540093	1006
7526003	0609.1	7528197	{0605	7540096	1006
7526004	0609.1		{0615	7696342	1401
7526005	0609.1	7528200	0605	7696350	1401
7526007	0609.1	7528205	0615	7696351	1401
7526008	0609.1	7528206	0615	7696352	1401
7526009	0609.1	7529093	0106.2	7696367	1401
7526010	0609.1	7529153	0311.1	7696370	1401
7526011	0609.1	7529242	0609.1	7696371	1401
7526012	0609.1	7529269	0607	7696374	1401
7526013	0609.1	7529350	0607	7696464	{0802.5
7526014	0609.1	7529352	0607		{0802.7
7526015	0609.1	7529355	0607	7696479	{0802.5
7526016	0609.1	7529359	0607		{0802.7
7526017	0609.1	7529476	0607	7696481	0804
7526019	0609.1	7529480	0607	7696482	1004
7526021	0609.1	7531612	0503	7696485	1401
7526022	0609.1	7538146	0609.1	7696491	{0804
7526023	0609.1	7538582	0609.1		{2002.5
7526025	0609.1	7538749	0601.3	7696494	0802.5
7526026	0609.1	7538750	0601.3	7696512	1002
7526027	0609.1	7538751	0601.3	7696518	1004
7526028	0609.1	7538753	0601.3	7696520	1311
7526289	0609.1	7538754	0601.3	7696521	1311
7526591	0607	7538756	0601.3	7696523	1004
7526592	0607	7538757	0601.3	7696526	1004
7526593	0607	7538759	0601.3	7697412	2201
7526594	0607	7538760	0601.3	7697413	2201
7526595	0607	7538761	0601.3	7697414	2201
7526596	0607	7538762	0601.3	7697415	2201
7526600	0607	7538763	0601.3	7697416	2201
7526739	0601.3	7538764	0601.3	7697418	2201
7526940	0605	7538765	0601.3	7697419	0702.5
7526949	0605	7538766	0601.3	7697420	0702.5
7526951	0605	7538767	0601.3	7697421	0702.5
7526961	0605	7538772	0601.3	7697422	0702.5
7526970	0605	7538777	0601.3	7697423	0702.5
7527480	2208.1	7538778	0601.3	7697424	0702.5
7527483	2208.1	7538783	0601.3	7697425	0702.5
7527643	0615	7538784	0601.3	7697427	0702.5
7528173	0605	7538785	0601.3		

**ORDNANCE AND MANUFACTURERS' PART NUMBER INDEX—Continued**

PART NO.	SUBGROUP	PART NO.	SUBGROUP	PART NO.	SUBGROUP
7697428	0702.5	7697488	1503	7697548	{1701
7697429	0702.5	7697489	1503		1804.2
7697430	1201	7697490	1503		1805
7697431	1201	7697493	1701		2101
7697432	1201	7697494	1701	7697551	{0612
7697433	1201	7697495	1701		0613.1
7697434	1201	7697496	1701	7697552	{2208.1
7697435	1201	7697497	1804.1		2208.1
7697436	1504	7697498	1806	7697553	2208.1
7697437	1504	7697499	1806	7697554	2210
7697438	{1504	7697500	1806	7697555	2210
7697439	{1808	7697501	1806	7697556	2210
	1504	7697502	1806	7697557	2210
7697440	{0612	7697503	1806	7697558	2210
	{1804.3	7697504	1806	7697559	2210
	{1806	7697505	1806	7697560	2210
	{2201	7697506	1806	7697561	2210
7697441	1504	7697507	1806	7697562	2210
7697442	1604.1	7697508	1806	7697563	2210
7697443	1604.1	7697509	1806	7697564	0702.1
7697445	1803.1	7697510	1806	7697565	0701
7697446	{1803.1	7697511	1503	7697566	0702.1
	2101	7697512	1503	7697567	0702.1
7697447	1803.1	7697513	1801	7697568	0702.1
7697448	1803.1	7697514	1801	7697569	0702.1
7697449	1803.1	7697515	{0704	7697570	0702.1
7697451	1206	7697516	{1805	7697571	0702.1
7697452	1206		1805	7697572	0702.1
7697453	1206	7697517	1805	7697573	1501
7697454	{0202	7697518	1805	7697574	1501
	1206	7697519	1805	7697575	1204.1
7697455	1204.3	7697520	1805	7697577	1805
7697456	1204.3	7697521	1805	7697578	1805
7697457	1204.3	7697522	1805	7697579	1805
7697459	1204.3	7697523	1805	7697581	1805
7697460	1204.3	7697524	1805	7697682	1805
7697461	1204.3	7697525	1805	7697588	0503
7697462	1204.3	7697526	1805	7697589	0503
7697463	1202	7697527	1805	7697591	1808
7697464	1202	7697528	1805	7697592	{1803.1
7697465	1204.1	7697529	1805		2101
7697466	1206	7697530	1805	7697593	2201
7697467	0802.7	7697532	1806	7697594	1808
7697468	0802.7	7697533	1806	7697595	2201
7697470	0804	7697534	1806	7697596	{1601.1
7697471	0700	7697535	1806		1601.3
7697472	1204.1	7697536	1806	7697597	{1601.1
7697473	1204.1	7697537	1806		1601.3
7697476	1204.1	7697538	1806	7697598	{1601.1
7697477	1204.1	7697539	1806		1601.3
7697478	1204.1	7697540	1804.3	7697599	1601.1
7697479	1204.1	7697541	1804.3	7697600	1601.1
7697480	1703	7697542	1804.3	7697601	1601.1
7697481	1703	7697543	1804.3	7697602	{1601.1
7697482	1703	7697544	1804.3		1601.3
7697483	1703	7697545	1804.3	7697603	1601.1
7697484	1703	7697546	0702.5	7697604	1601.1
7697487	1703	7697547	0702.5	7697606	1002
				7697608	0900

**ORDNANCE AND MANUFACTURERS' PART NUMBER INDEX—Continued**

PART NO.	SUBGROUP	PART NO.	SUBGROUP	PART NO.	SURGROUP
7697609	0900	7728341	0611	7743876	1701
7697610	0900	7728788	0608	7744319	0105.3
7697611	0900	7728852	0607	7744320	0105.3
7697612	0900	7728853	0607	7744324	0106.1
7697613	0900	7728854	0607	7744331	0106.1
7697614	0505	7728855	0607	7744332	0106.1
7697864	0102.1	7728856	0610	7744333	0106.1
7697870	1501	7729617	0605	7744471	0104.2
7698489	1808	7729618	0605	7744472	0104.2
7698490	1808	7729684	0607	7744473	0102.1
7698890	0311.1	7729786	0609.1	7760396	2208.1
7700819	0311.1	7729787	0609.1	7760405	0605
7701326	0501	7729788	0609.1	7760409	0607
7701327	{ 0501	7729789	0609.1	7760412	0607
	{ 1801	7729790	0609.1	7760414	0608
7701328	{ 0501	7729791	0609.1	7760416	0608
	{ 1801	7729792	0609.1	7760417	0603
7702465	0900	7729793	0609.1	7760418	0607
7702474	0602	7729796	0609.1	7760503	0609.1
7702608	0602	7729797	0609.1	7760504	0609.1
7702631	0900	7729798	0609.1		{ 0607
7702645	0602	7729799	0609.1	7760598	{ 0609.1
7702646	0602	7729800	0609.1		{ 0613.1
7702665	0602	7729801	0609.1		{ 0617
7703680	0302.1	7729802	0609.1	7760599	0613.1
7703751	2202	7730893	0613.1	7762695	{ 0613.1
7705721	0201	7730977	0607		{ 0617
7706790	0604.1	7731418	0613.1	7762607	0613.1
7712833	0609.1	7731419	0613.1	7762616	0603
7716520	0615	7731421	0613.1	7762620	0607
	{ 0601.1	7731428	{ 0613.1	7762642	{ 0613.1
7716562	{ 0601.3		{ 0617		{ 0617
	{ 0602	7731429	0617	7762687	{ 0613.1
7716563	0607	7731435	0613.1		{ 0617
7716597	0607	7735289	1204.5	7762739	0613.1
7716598	0607	7735312	1204.3	7762742	0613.1
7716683	0607	7735449	1202	7762750	{ 0613.1
7716690	{ 0601.1	7735544	1202		{ 0617
	{ 0601.3	7735833	{ 1601.1	7762751	{ 0613.1
7716884	0613.1		{ 1601.3		{ 0617
7716895	0613.1	7735843	{ 1601.1	7762752	0613.1
7720495	{ 0613.1		{ 1601.3	7765214	0609.1
	{ 0615	7741406	0105.5	7954265	1206
7720497	0613.1	7741407	0105.3	7954266	1804.3
7720498	0615	7741412	0101	7980860	0604.1
7720853	0613.1	7741414	0105.5	7994148	2002.1
7722235	0607	7741415	0105.5	7994190	2001.3
7722323	0613.1	7741418	0105.3	7994191	2001.1
7722333	{ 0613.1	7741419	0105.5	7994192	2001.1
	{ 0617	7741420	0105.1	7994193	2001.1
7722343	0613.1	7741421	0105.1	7994194	2001.3
7722352	0613.1	7741427	0105.5	7994195	2001.1
7723306	0613.1	7743569	0105.2	7994196	2001.3
7723308	0613.1	7743652	0802.1	7994197	2001.3
7723309	{ 0613.1	7743751	0104.2	7994200	2001.1
	{ 0617	7743752	0104.2	7994778	1004
7723899	0609.1	7743875	1701	7994785	1004
7726808	0607				

**ORDNANCE AND MANUFACTURERS' PART NUMBER INDEX--Continued**

PART NO.	SUBGROUP	PART NO.	SUBGROUP	PART NO.	SUBGROUP
7994786	0702.3	8328436	{0202	8330359	0311.1
7994912	1102		{1206	8330745	0104.2
7994913	1102	8328439	0202	8330746	0104.2
7994936	0108	8328440	0802.5	8330747	0104.2
TRI-82812-41	2202	8328442	1204.3	8330748	0104.2
8327721	0601.1	8328443	1204.3	8331015	0613.1
8328005	1102	8328444	1204.3	8331246	0106.1
8328019	0103	8328445	1204.3	8331378	0612
8328043	0100.2	8328446	1501	8331399	0311.1
8328044	0100.2	8328448	1503	8331450	0311.3
8328045	0103	8328455	0503	8331451	0311.3
8328046	0103	8328479	0802.7	8331452	0311.3
8328047	0103	8328480	2208.1	8331730	0702.5
8328048	0103	8328481	2208.1	8331732	0702.3
8328049	0103	8328483	0103	8331733	0702.3
8328056	0603	8328484	0103	8331831	2101
8328057	0603	8328488	1806	8331874	1204.1
8328058	0603	8328495	0900	8331932	0106.6
8328061	0603	8328497	0900	8332058	1101
8328062	0603	8328498	0900	8332072	0202
8328063	0603	8328499	0900	8332075	1311
8328064	0603	8329527	0302.1	8332078	0602
8328065	0603	8329605	0604.1	8332226	0601.1
8328066	0603	8329638	0304.5	8332474	1401
8328067	0603	8329669	1401	8332475	1401
8328069	0603	8329674	0802.5	8332476	1401
8328071	0603	8329675	0101	8332514	2091.3
8328076	0604.1	8329700	0900	8332522	0601.1
8328077	0604.1	8329702	0302.1	8332534	0302.1
8328125	0103	8329706	0302.1	8332535	0302.1
8328126	0105.1	8329708	0302.1	8332553	1401
8328127	0201	8329732	1311	8332679	0103
8328129	0202	8329733	1805	8333061	0900
8328130	0202	8329740	0603	8333799	0601.3
8328132	0603	8329741	1401	8344009	1808
8328133	0603	8329742	1401	8344094	0615
8328134	0603	8329743	1401	8344313	0601.3
8328135	0603	8329744	1401	8365411	0613.1
8328136	0603	8329746	1401	8376209	0617
8328138	0401	8329747	1401	8376244	0702.3
8328139	0603	8329748	1401	8376245	0702.5
8328140	0603	8329784	0604.1	8376246	0702.3
8328141	0603	8329785	0604.1	8387940	{0202
8328142	2210	8329786	0604.1		{1206
8328143	2210	8329787	0604.1	8393045	0202
8328144	0603	8329850	1101	8393046	1501
8328262	0612	8329853	0701	8393048	1401
8328263	0612		{0702.1	8393055	1401
8328264	1503	8329873	{0702.5	8393069	0612
8328265	0201		{0704	8393083	{0106.5
8328310	0103	8329889	2002.5		{0304.5
8328311	0103	8329890	2001.3	8393084	0104.1
8328312	0103	8329966	0503	8393087	0603
8328313	0103	8329984	1808	8393089	0603
8328397	1004	8329989	1504	8393090	0602
8328398	1004	8329994	0704	8393091	0602
8328413	0106.6	8330132	0302.1	8393092	0602
8328422	0106.2	8330271	0106.2	8393093	0602

**ORDNANCE AND MANUFACTURERS' PART NUMBER INDEX—Continued**

PART NO.	SUBGROUP	PART NO.	SUBGROUP	PART NO.	SUBGROUP
8393094	0602	8673489	1806	8676970	1806
8393095	0602	8673491	1804.1	8676971	1804.1
8393097	0601.1	8673493	2201	8676974	0202
8393098	0603	8673494	2202	8676975	1313
8393100	0603	8673495	2202	8676978	1503
8393107	0612	8673496	0612	8676979	1503
8393110	1104.1	8673497	0101	8676980	0304.5
8393111	1104.1	8673498	0108	8676981	0304.5
8393502	0607	8673499	0613.1	8676982	0304.5
8672285	0602	8673500	1501	8676986	0503
8672286	0602	8673503	0304.5	8676987	1401
8673315	1311	8673504	0306	8676998	0201
8673316	1206	8673505	2101	8676999	1804.1
8673317	1601.1	8673507	1501	8677008	0103
8673318	0617	8673510	0100.2	8677013	1002
8673319	0613.1	8673512	1006	8677015	0104.2
8673320	1501	8673513	0609.1	8677016	0103
8673321	1501	8673516	0900	8677020	1401
8673324	0304.5	8673517	0900	8677021	1501
8673326	0304.5	8673520	1000	8677025	0306
8673327	0503	8673521	1100	8677026	1804.1
8673329	0611	8673949	0702.1	8677028	0304.5
8673330	2202	8673952	0106.1	8677029	0104.1
8673331	2202	8673955	0106.1	8677030	0104.1
8673334	0304.1	8673956	0106.1	8677031	0104.1
8673335	0613.1	8673961	1401	8677035	1401
8673338	0611	8673963	1206	8677036	1501
8673345	1808	8673965	0503	8677038	0304.5
8673346	1202	8673966	1501	8677040	1501
8673347	1202	8673967	1204.1	8677042	1401
8673348	1202	8673968	1501	8677043	1401
8673349	1202	8673970	1501	8677046	0613.1
8673350	0601.1	8673972	0202	8677047	0612
8673352	1000	8673978	0612	8677048	0612
8673353	0601.3	8673980	2201	8677051	0613.1
8673386	2201	8673981	0607	8677052	0615
8673393	0104.2	8673983	1808	8677053	0201
8673397	1206	8673984	1808	8677054	1204.5
8673441	1501	8673987	1808	8677055	0201
8673446	1804.1	8673989	0612	8677058	0104.1
8673448	1804.1	8673990	0612	8677059	0613.1
8673452	1800	8673991	1804.1	8677061	1401
8673455	2201	8673992	0612	8677062	0304.1
8673461	0103	8673998	1800	8677065	1503
8673463	0100.1		{0612	8677066	0202
8673464	1002	8673999	{1804.1	8677067	0611
8673467	1501		{1804.2	8677076	1002
8673471	0602	8673953	1804.3	8677079	1006
8673473	1204.5	8676956	1800	8677081	2210
8673474	1204.5	8676961	1804.3	8677082	2210
8673475	0101	8676962	0612	8677083	0202
8673476	0102.1	8676963	{0612	8677084	0202
8673477	1501		{1808	8677093	1204.3
8673481	1204.5	8676964	0612	8677097	1204.3
8673482	1206	8676966	1808	8677259	1504
8673483	0304.5		{1804.1	8677261	0612
8673484	1204.5	8676969	{1805	8677262	0612
8673485	0306		{2101	8677265	0612

**ORDNANCE AND MANUFACTURERS' PART NUMBER INDEX—Continued**

PART NO.	SUBGROUP	PART NO.	SUBGROUP	PART NO.	SUBGROUP
8677266	2202	8677510	0802.5	SCI-10-40450-28S	0607
8677275	0202	8677512	0104.1	SCI-10-40452-22	0607
8677281	1104.1	8677519	1401	SCI-10-40452-28	0607
8677283	1501	8677539	0900	SCI-10-40456-12	0615
8677287	1002	8677577	1100	SCI-10-40457-12	0615
8677288	1002	8679978	1006	SCI-10-40822-15P	0607
8677289	1501	8680907	0603	SCI-10-40822-15	0613.1
8677291	1501	RX-901138K6	1201	SCI-10-40822-54	0613.1
8677292	1201	WIL-ER90139-3-4	0106.1	SCI-10-40822-56	0613.1
8677294	1102	BX-901835K6	1201	SCI-10-40828-51P	0607
8677295	1102	SPT-C9115-2-15	0608	SCI-10-40828-51	0617
8677296	0105.2	GM-9409105	1204.5	SCI-10-42222-02-S	0601.1
8677304	1204.1	9409105	1204.5	TNP-C1108A-5610-4	0106.2
8677307	2202	GM-9409109	1204.5	RG-TA124000-4-3-4	1401
8677313	2201	9409109	1204.5	BZ-E1249-125-10	0605
8677314	1805	WH-100-23123	0304.5	BZ-E1249-125-20	0605
8677315	2201	SCI-10-36385-28	0613.1	SP-2-60-20-1519X	0900
8677316	0607	SCI-10-40813-5S	0615	SW-41809-57-1-2	2208.1
8677317	{0607 1804.1 1808 2101	SCI-10-76555-1	0607	SP-500-14131-6	0802.7
		IHC-E1272-97-10	0613.1	SP-510-14276-6	0802.7
		WH-131-76766	2202	SCI-60-36028-51S	0617
		SP-2-62-2-2016X	0900	SCI-60-36397-28	{0613.1
8677319	1808	SP-2-62-3-2122X	0900		{0617
8677320	1808	SW-446125-55	2208.1	SCI-60-37398-12	0613.1
8677328	0304.5	SCI-60-40813-5	0613.1	SCI-60-37398-22	0613.1
8677330	1501	SCI-60-42013-5S	0613.1	SCI-60-42613-55	0613.1
8677333	1401	SCI-60-42022-2S	0613.1	SCI-60-42622-15-S	0613.1
8677334	0306	SCI-60-42613-5S	0615	SCI-60-42622-22P	0613.1
8677338	1501	SHA-9805-20-00	0607	SCI-60-42628-51S	0613.1
8677339	1501	AOD-99833-P130	1804.2	RG-089041-36-1/2	1401
8677341	0312	SCI-10-36382-28	0613.1	EAT-ER9041911/16	0106.1
8677344	1204.5	SCI-10-36384-28	0613.1	SW-446125-57-1-2	2208.1
8677345	1204.5	SCI-10-36386-28	0613.1	SCI-60-37005-131	0613.1
8677346	1401	SCI-10-40450-22S	0601.1	SCI-60-37005-221	0613.1
8677509	0802.7	SCI-10-40450-22	0607	SCI-60-37005-281	{0613.1
					{0617



## ORDNANCE STOCK NUMBER INDEX

This index includes two types of stock numbers which are not intermixed—the SNL-prefix type G758-8329746, and the stock-class-code (manufacturer's numerical symbol) — prefix type (9240-FC6010). These numbers are each arranged numerically by types. H-, J-, and K-group numbers are not included generally in this index because they refer to standard items which may appear in various groups or already have a common application in the supply system and are not necessarily peculiar within an index of this kind.

STOCK NO.	UBGROUP	STOCK NO.	SUBGROUP	STOCK NO.	SUBGROUP
G067-0905540	0609.1	G214-7097386	0311.1	G244-7729793	0609.1
G067-1500270	0302.1	G214-7700819	0311.1	G244-7729796	0609.1
G067-1501920	0302.1	G226-5214739	0302.1	G244-7729797	0609.1
G085-3004900	0301	G226-5214746	0302.1	G244-7729802	0609.1
G085-3005020	0301	G244-7321299	0613.1	G244-7760598	{ 0607
G085-5307299	0900	G244-7408093	0607		{ 0609.1
G085-7735289	1204.5	G244-7408094	0607	G244-7762605	{ 0613.1
G085-7735312	1204.3	G244-7408095	0607		{ 0617
G085-7735449	1202	G244-7408098	0607	G251-7261674	{ 0613.1
G102-5214757	0302.1	G244-7408100	0607		G251-7320642
G102-5214759	0302.1	G244-7408102	0607	G251-7525938	0609.1
G102-5214761	0302.1	G244-7408108	0607	G251-7525939	0309.1
G102-5214764	0302.1	G244-7408115	0607	G251-7526005	0609.1
G102-5292984	0302.1	G244-7408117	0607	G251-7526007	0609.1
G103-1781890	0301	G244-7408118	0607	G251-7526026	0609.1
G103-1789629	0302.1	G244-7408120	0607	G251-7526028	0609.1
G104-0100152	0311.1	G244-7408130	0607	G251-7716884	0613.1
G104-5246558	0202	G244-7408131	0607	G251-7722323	0613.1
G104-6184238	0302.1	G244-7408134	0607	G251-7722343	0613.1
G104-7097371	0311.1	G244-7408304	0607	G251-7729799	0609.1
G116-0400060	0604.1	G244-7408305	0607	G251-7729800	0609.1
G147-0389807	0302.1	G244-7408323	0607	G251-7762607	0613.1
G160-7372262	2202	G244-7408338	0607	G251-7762642	{ 0613.1
G160-7703680	0302.1	G244-7408358	0607	G252-7056639	{ 0617
G160-7980860	0604.1	G244-7408359	0607		{ 0612
G170-0271838	0612	G244-7408360	0607	G252-7524649	{ 0613.1
G176-5276883	0702.1	G244-7526940	0605		{ 0617
G179-5307509	0503	G244-7526949	0605	G256-7762687	{ 0613.1
G179-5307552	0900	G244-7526951	0605		{ 0617
G179-5308280	0106.2	G244-7526961	0605	G256-7762750	{ 0613.1
G179-8331730	0702.5	G244-7526970	0605		{ 0617
G179-8331732	0702.3	G244-7527643	0615	G256-7762751	{ 0613.1
G179-8331733	0702.3	G244-7716562	0601.1		{ 0617
G200-7412573	{ 0612			G244-7716563	0607
	{ 0613.1	G244-7716895	0613.1		
G214-5245639	0311.1	G244-7720495	0613.1	G258-8376209	0617
G214-7033652	0311.1	G244-7720498	0615	G260-7358621	0607
G214-7033653	0311.1	G244-7722235	0607	G260-7388319	{ 0601.1
G214-7033654	0311.1	G244-7723306	0613.1	G260-7526001	{ 0601.3
G214-7033655	0311.1	G244-7723308	0613.1		G260-7526289
G214-7033656	0311.1	G244-7723899	0609.1	G260-7762752	0613.1
G214-7097373	0311.1	G244-7726808	0607	G260-7765214	0609.1
G214-7097374	0311.1	G244-7729786	0609.1	G262-5245634	0311.1
G214-7097374	0311.1	G244-7729787	0609.1	G262-5245638	0311.1
G214-7097376	0311.1	G244-7729788	0609.1	G262-5245640	0311.1
G214-7097380	0311.1	G244-7729789	0609.1		
G214-7097381	0311.1	G244-7729791	0609.1		
G214-7097382	0311.1				
G214-7097384	0311.1				
G214-7097385	0311.1				

**ORDNANCE STOCK NUMBER INDEX—Continued**

STOCK NO.	SUBGROUP	STOCK NO.	SUBGROUP	STOCK NO.	SUBGROUP
G262-5245643	0311.1	G503-7324837	0304.1	G503-7371145	0104.1
G262-5245644	0311.1	G503-7324840	{0103	G503-7371146	0104.1
G262-5245645	0311.1		{0104.1	G503-7371147	0104.1
G262-5245651	0311.1	G503-7324848	1804.3	G503-7371159	0105.5
G262-7320688	0609.1	G503-7324850	0800	G503-7371160	0102.1
G262-7414209	0607	G503-7324852	1201	G503-7371161	0102.1
G262-7416495	0302.1	G503-7326118	0202	G503-7371188	{0601.1
G262-7417590	0311.1	G503-7329277	0104.1		{0601.3
G501-5262210	0501	G503-7330714	0104.1	G503-7371191	{0103
G502-0180653	2202	G503-7340237	1206		{0603
G502-0389787	2202	G503-7343030	1401	G503-7371193	0312
G502-0482430	2002	G503-7343032	1604.1	G503-7371194	0312
G502-5327338	2202	G503-7343086	0613.1	G503-7371195	2208.1
G502-5346760	0603	G503-7343368	0301	G503-7371204	0802.7
G502-7324058	0301	G503-7348852	1204.3	G503-7371209	0802.7
G502-7324060	0301	G503-7350298	1401	G503-7371212	0802.5
G502-7329386	0604.1	G503-7350354	1401	G503-7371213	0802.3
G502-7350113	0702.3	G503-7351395	0202	G503-7371226	0102.1
G502-7702665	0602	G503-7361994	{0312	G503-7371227	0102.2
G502-7703751	2202		{2002.5	G503-7371229	0102.2
G503-0169093	0304.1	G503-7362105	0504	G503-7371231	0103
G503-0194021	0108	G503-7362371	1204.1	G503-7371232	0103
G503-0194022	0105.1	G503-7367859	1401	G503-7371235	0105.1
	{0105.1	G503-7368258	0312	G503-7371236	0105.1
G503-0194032	{0702.1	G503-7368260	0202	G503-7371237	0105.1
	{0702.5	G503-7368267	0106.5	G503-7371238	0105.1
	{0704	G503-7371002	1204.5	G503-7371258	0105.2
G503-5214776	0804	G503-7371009	1204.5	G503-7371264	0106.6
G503-5214784	0804	G503-7371010	1201	G503-7371267	0106.6
G503-5246557	0202	G503-7371011	1201	G503-7371268	0106.1
G503-5261672	0302.1	G503-7371018	1201	G503-7371271	0106.1
G503-5281457	0301	G503-7371030	1401	G503-7371272	0106.5
G503-5293029	0301	G503-7371035	0802.7	G503-7371275	0106.1
G503-5307178	0900	G503-7371037	0800	G503-7371278	0106.6
G503-5307289	0900	G503-7371047	0401	G503-7371279	0106.1
G503-5333811	0101	G503-7371054	1601.1	G503-7371281	0102.2
G503-5381088	0607	G503-7371055	1601.3	G503-7371283	0106.6
G503-5627204	1202	G503-7371056	1501	G503-7371284	0106.6
G503-7010486	0304.1	G503-7371057	1601.1	G503-7371286	0106.5
G503-7036544	0802.7	G503-7371059	1601.1	G503-7371311	0615
G503-7036567	1401	G503-7371061	{1601.1	G503-7371337	0202
G503-7036575	{0304.1		{1601.3	G503-7371338	0202
	{0304.5	G503-7371081	1601.1	G503-7371339	0202
G503-7036578	0106.6	G503-7371090	{1601.1	G503-7371340	0202
G503-7036579	0105.1		{1601.3	G503-7371341	0103
G503-7036584	1401	G503-7371096	1401	G503-7371342	0202
G503-7036585	1401	G503-7371099	0802.7	G503-7371363	0202
G503-7036587	140.	G503-7371102	1002	G503-7371366	0202
G503-7036588	1401	G503-7371103	1001	G503-7371368	{0103
G503-7044253	1503	G503-7371105	1004		{0201
G503-7073209	1503	G503-7371106	1311	G503-7371371	0802.5
G503-7073213	1503	G503-7371108	1004	G503-7371373	0802.7
G503-7099460	2202	G503-7371110	1006	G503-7371376	0102.1
G503-7324833	{0312	G503-7371112	1204.3	G503-7371377	0503
	{0612	G503-7371137	0101	G503-7371383	0504
G503-7324834	1204.1	G503-7371138	0101	G503-7371385	0504
G503-7324835	0312	G503-7371144	0104.1	G503-7371386	0503

**ORDNANCE STOCK NUMBER INDEX—Continued**

STOCK NO.	SUBGROUP	STOCK NO.	SUBGROUP	STOCK NO.	SUBGROUP
G503-7371388	0108	G503-7377745	1202	G503-7696521	1311
G503-7371389	0108	G503-7377746	1202	G503-7696523	1004
G503-7371390	0401	G503-7377751	1201	G503-7696526	1004
G503-7371391	0108	G503-7377752	1201	G503-7697864	0102.1
G503-7371392	0108	G503-7377753	1201	G503-7697870	1501
G503-7371393	0108	G503-7377754	1201	G503-7698489	1808
G503-7371394	0108	G503-7377755	1201	G503-7698490	1808
G503-7371395	0108	G503-7377756	1201	G503-7701326	0501
G503-7371396	0108	G503-7377757	1201	G503-7701327	{0501
G503-7371398	0108	G503-7377758	1201		{1801
G503-7371439	1002	G503-7377759	1201	G503-7701328	{0501
G503-7371449	0312	G503-7378054	0301		{1801
G503-7371450	0312	G503-7378081	0301	G503-7702465	0900
G503-7371451	0312	G503-7378099	0301	G503-7702631	0900
G503-7371454	0312	G503-7387807	1311	G503-7706790	0604.1
G503-7371493	0102.2	G503-7388074	0106.6	G503-7735544	1202
G503-7371501	0103	G503-7412658	0101	G503-7735833	{1601.1
G503-7371503	0102.2	G503-7415717	1804.1		{1601.3
G503-7371504	0102.2	G503-7415729	2101	G503-7735843	{1601.1
G503-7371700	0103	G503-7416462	1401		{1601.3
G503-7371759	0800	G503-7416485	1006	G503-7741406	0105.5
G503-7371762	1201	G503-7416486	1006	G503-7741407	0105.3
G503-7371859	1201	G503-7417607	1204.1	G503-7741412	0101
G503-7372318	1204.1	G503-7418001	1201	G503-7741414	0105.5
G503-7372342	1204.1	G503-7520738	0105.1	G503-7741415	0105.5
G503-7372343	1204.5	G503-7520739	0105.1	G503-7741418	0105.3
G503-7372348	1204.3	G503-7520991	1004	G503-7741419	0105.5
G503-7372361	1204.3	G503-7521218	0102.2	G503-7741420	0105.1
G503-7372447	0704	G503-7524312	1503	G503-7741421	0105.1
G503-7372448	0704	G503-7524313	1503	G503-7741427	0105.5
G503-7372456	0704	G503-7524315	1503	G503-7743569	0105.2
G503-7373108	1006	G503-7531612	0503	G503-7743652	0802.1
G503-7373111	1401	G503-7539155	1201	G503-7743751	0104.2
G503-7373112	0804	G503-7540093	1006	G503-7743752	0104.2
G503-7373115	0802.7	G503-7540096	1006	G503-7743875	1701
G503-7373116	0804	G503-7696342	1401	G503-7743876	1701
G503-7373117	0804	G503-7696350	1401	G503-7744319	0105.3
G503-7373118	0804	G503-7696351	1401	G503-7744320	0105.3
G503-7373119	0804	G503-7696352	1401	G503-7744324	0106.1
G503-7373121	1002	G503-7696367	1401	G503-7744331	0106.1
G503-7373146	1002	G503-7696370	1401	G503-7744332	0106.1
G503-7373148	1004	G503-7696371	1401	G503-7744333	0106.1
G503-7373156	0802.5	G503-7696374	1401	G503-7744471	0104.2
G503-7373157	{0802.5	G503-7696464	{0802.5	G503-7744472	0104.2
	{0802.7		{0802.7	G503-7744473	0102.1
G503-7373158	0802.7	G503-7696479	{0802.5	G503-8387940	{0202
G503-7373159	0802.7		{0802.7		{1206
G503-7373160	0802.7	G503-7696481	0804	G503-8393055	1401
G503-7373162	0801	G503-7696482	1004	G505-0682454	0609.1
G503-7373164	0802.5	G503-7696485	1401	G505-5346736	0301
G503-7373165	0802.5	G503-7686491	{0804	G505-8376245	0702.3
G503-7373166	0802.7		{2002.5	G505-8376246	0702.3
G503-7373177	1201	G503-7696494	0802.5	G506-7538146	0609.1
G503-7373185	0802.5			G506-7538582	0609.1
G503-7373188	1004	G503-7696512	1002	G507-5293063	0301
G503-7375440	1204.1	G503-7696518	1004	G507-5307283	0604.1
G503-7375797	0202	G503-7696520	1311	G507-5308275	0603

**ORDNANCE STOCK NUMBER INDEX—Continued**

STOCK NO.	SUBGROUP	STOCK NO.	SUBGROUP	STOCK NO.	SUBGROUP
G507-5308307	0603	G740-5336400	0304.5	G740-7348605	1004
G507-5312057	0301	G740-6264302	1201	G740-7348606	1100
G507-5346737	0301	G740-6264303	1201	G740-7348609	1204.3
G507-5346738	0301	G740-7032605	0304.5	G740-7348610	1204.3
G507-5346767	0604.1	G740-7032606	1104.1	G740-7348611	1201
G507-5346768	0604.1	G740-7032607	0304.5	G740-7348759	1006
G507-5346774	0604.1	G740-7032623	0704	G740-7348762	1006
G507-5346775	0604.1	G740-7032624	0704	G740-7348763	1006
G507-5346784	0604.1	G740-7032625	1204.5	G740-7348764	1006
G507-6245928	0106.2	G740-7032626	1006	G740-7348765	1006
G507-7702474	0602	G740-7032628	1004	G740-7348766	1006
G507-7702608	0602	G740-7032629	1101	G740-7348767	1006
G507-7702645	0602	G740-7032630	1102	G740-7348768	1006
G507-7702646	0602	G740-7032631	1102	G740-7348820	1401
G508-5160316	0900	G740-7032632	1102	G740-7351311	0304.1
G508-5160323	1204.1	G740-7032633	1102	G740-7351313	1104.1
G508-5214539	{0603	G740-7032634	1102	G740-7351314	1805
	{1204.1	G740-7047950	0106.6	G740-7351316	0309
G508-5214752	0302.1	G740-7047962	0304.1	G740-7351374	0304.5
G508-5214889	0302.1	G740-7047970	0304.5	G740-7351376	1401
G508-5214987	0302.1		{0304.5	G740-7351377	0304.5
G508-5293034	0301	G740-7047998	{0306	G740-7351403	1006
G509-0389511	0106.2		{0613.1	G740-7351404	1006
G509-5308281	0106.2		{1201	G740-7351413	0105.3
G509-7016403	0302.1	G740-7048736	0401	G740-7355596	0604.1
G509-7058965	2202	G740-7065897	0304.1	G740-7369850	0801
G509-7529093	0106.2	G740-7065898	0304.1	G740-7369879	0106.2
G513-7330828	0604.1	G740-7065899	0304.1	G740-7369880	0106.2
	{0106.2	G740-7065900	0704	G740-7369881	0106.2
	{0311.3	G740-7065901	{1601.1	G740-7369882	0106.6
G518-7000997	{0613.1		{1601.3	G740-7369951	2201
	{1201	G740-7346728	1101	G740-7369952	2201
	{2202	G740-7346938	0612	G740-7371315	0309
G518-7001411	1202	G740-7346939	0612	G740-7372500	0301
G529-7412176	1202	G740-7346940	0612	G740-7372501	0301
G529-7412178	1202	G740-7346941	2101	G740-7372502	0301
G529-7412179	1202	G740-7346943	0612	G740-7372503	0301
G592-7722333	{0613.1	G740-7346945	0613.1	G740-7372505	1501
	{0617	G740-7347500	1808	G740-7372506	1501
G592-7723309	{0613.1	G740-7347502	1808	G740-7372507	1501
	{0617	G740-7347733	1006	G740-7372508	0301
G592-7731428	{0613.1	G740-7347736	1501	G740-7372509	0301
	{0617	G740-7348511	0103	G740-7372510	0301
G671-7001905	0302.1	G740-7348513	0612	G740-7372511	0301
G671-7001906	0302.1	G740-7348525	2201	G740-7372512	0301
G672-7698890	0311.1	G740-7348565	1805	G740-7372513	0301
G716-5293056	0301	G740-7348567	1805	G740-7372514	0301
G716-7347355	0604.1	G740-7348568	0304.5	G740-7372515	0301
G716-7348512	0101	G740-7348569	0615	G740-7372517	0301
G716-7411250	0504	G740-7348571	0503	G740-7372518	0301
G716-8328019	0103	G740-7348574	0611	G740-7372519	0301
G716-8329966	0503	G740-7348578	0604.1	G740-7372521	0301
G716-8673476	0102.1	G740-7348580	0603	G740-7372522	0301
G732-5214750	0302.1	G740-7348600	0900	G740-7372523	0301
G744-5340173	0106.1	G740-7348602	1001	G740-7372524	0301
G744-7261670	0613.1	G740-7348603	1002	G740-7372525	0301
G740-5293030	0301	G740-7348604	{1002	G740-7372526	0301
			{1102		

**ORDNANCE STOCK NUMBER INDEX—Continued**

STOCK NO.	SUBGROUP	STOCK NO.	SUBGROUP	STOCK NO.	SUBGROUP
G740-7372527	0301	G740-7372592	0106.6	G740-7372851	{1002
G740-7372528	0301	G740-7372661	0201		}1102
G740-7372529	0301	G740-7372664	0201	G740-7372852	{1002
G740-7372530	0301	G740-7372667	0702.5		}1102
G740-7372531	0301	G740-7372668	1201	G740-7372853	{1002
G740-7372532	0301	G740-7372670	1806		}1102
G740-7372533	0301	G740-7372677	1808	G740-7372854	1002
G740-7372534	0301	G740-7372678	1101	G740-7372855	{1002
G740-7372535	0301	G740-7372679	1102		}1102
G740-7372536	0301	G740-7372680	1100	G740-7372856	1002
G740-7372537	0301	G240-7372801	0501	G740-7372857	1002
G740-7372538	0301	G740-7372803	0501	G740-7372858	{1002
G740-7372539	0301	G740-7372804	0501		}1102
G740-7372540	0301	G740-7372806	0504	G740-7372859	1002
G740-7372541	0301	G740-7372807	0504	G740-7372860	1002
G740-7372542	0301	G740-7372808	0503	G740-7372863	{1002
G740-7372543	0301	G740-7372809	0504		}1102
G740-7372544	0100.2	G740-7372810	0504	G740-7372864	1006
G740-7372545	0100.2	G740-7372811	0504	G740-7372865	1006
G740-7372546	1501	G740-7372816	0505	G740-7372866	1006
G740-7372547	1501	G740-7372818	2101	G740-7372867	1006
G740-7372548	0100.2	G740-7372819	2101	G740-7372868	{0802.7
G740-7372550	0100.2	G740-7372820	2101		}1002
G740-7372551	0100.2	G740-7372821	0202		}1102
G740-7372553	{0106.5	G740-7372822	0202	G740-7372869	1006
	}0304.5	G740-7372823	0202	G740-7372870	1006
G740-7372554	{0106.5	G740-7372824	{0202	G740-7372872	1006
	}0304.5		}1206	G740-7372873	0104.1
G740-7372556	0101	G740-7372825	0202	G740-7372874	0104.1
G740-7372557	0106.6	G740-7372826	0202	G740-7372875	0104.1
G740-7372558	0102.1	G740-7372827	{0202	G740-7372876	0104.1
G740-7372559	0102.1		}1206	G740-7372877	0701
G740-7372560	0102.1	G740-7372832	1204.5	G740-7372878	0800
G740-7372562	0108	G740-7372833	1204.5		{0701
G740-7372563	0108	G740-7372834	1204.5	G740-7372879	{0801
G740-7372564	0102.2	G740-7372835	1204.5		}1004
G740-7372565	0102.2	G740-7372836	1204.5	G740-7372881	2101
G740-7372566	0102.2	G740-7372837	1204.5	G740-7372882	2101
G740-7372567	0102.2	G740-7372838	1204.3	G740-7372883	2101
G740-7372568	0102.2	G740-7372839	1204.5	G740-7372884	2101
G740-7372569	0102.2	G740-7372840	1206	G740-7372885	1703
G740-7372570	0102.2	G740-7372842	1001	G740-7372886	{1701
G740-7372571	0102.2	G740-7372843	{1002		}2101
G740-7372572	0102.2		}1102	G740-7372887	2101
G740-7372573	0102.2	G740-7372844	{1002	G740-7372888	2101
G740-7372574	0102.2		}1102	G740-7372889	2201
G740-7372575	0102.2	G740-7372845	{1002	G740-7372890	2201
G740-7372576	0105.5		}1102	G740-7372891	2201
G740-7372578	0105.5	G740-7372846	{1002	G740-7372892	2201
G740-7372579	0105.5		}1102	G740-7372893	2201
G740-7372582	0103	G740-7372847	{1002	G740-7372894	1808
G740-7372583	0103		}1102	G740-7372895	2201
G740-7372585	0105.2	G740-7372848	{1002	G740-7372896	2201
G740-7372586	0106.1		}1102	G740-7372897	2201
G740-7372587	0106.1	G740-7372849	{1002	G740-7372898	2201
G740-7372590	0106.2		}1102	G740-7372899	2201
G740-7372591	0106.2	G740-7372850	{1002	G740-7374966	0804
			}1102		

**ORDNANCE STOCK NUMBER INDEX—Continued**

STOCK NO.	SUBGROUP	STOCK NO.	SUBGROUP	STOCK NO.	SUBGROUP
G740-7374967	0804	G740-7375029	0103	G740-7375094	0603
G740-7374968	0804	G740-7375030	0501	G740-7375095	0603
G740-7374969	0704	G740-7375032	0105.1	G740-7375097	0603
G740-7374970	0704	G740-7375033	0105.1	G740-7375098	0603
G740-7374971	0704	G740-7375034	0105.1	G740-7375099	0603
G740-7374972	0704	G740-7375035	0105.1	G740-7375100	0603
G740-7374973	0704	G740-7375036	0306	G740-7375102	0603
G740-7374974	0704	G740-7375037	0306	G740-7375103	0603
G740-7374975	0704	G740-7375038	0306	G740-7375104	0603
G740-7374976	0704	G740-7375039	0306	G740-7375105	0603
G740-7374977	0704	G740-7375040	0306	G740-7375106	0603
G740-7474978	0704	G740-7375041	0306	G740-7375107	0603
G740-7374979	0704	G740-7375042	0306	G740-7375108	0603
G740-7374980	0704	G740-7375043	0306	G740-7375109	0603
G740-7374982	1104.1	G740-7375045	1004	G740-7375110	0604.1
G740-7374983	1104.1	G740-7375046	1004	G740-7375111	0312
G740-7374984	1104.1	G740-7375047	1004	G740-7375112	0312
G740-7374985	1104.1	G740-7375048	1004	G740-7375113	0312
G740-7374986	1104.1	G740-7375049	1004	G740-7375114	0312
G740-7374987	1104.1	G740-7375051	0801	G740-7375115	0312
G740-7374990	0802.5	G740-7375052	0801	G740-7375116	0312
G740-7374991	0702.3	G740-7375053	0801	G740-7375117	0312
G740-7374992	0702.3	G740-7375054	0108	G740-7375118	0304.1
G740-7374993	0702.3	G740-7375055	0106.5	G740-7375119	0304.1
G740-7374994	0702.3	G740-7375056	0106.2	G740-7375120	0304.1
G740-7374995	0702.3	G740-7375057	0106.2	G740-7375121	0304.1
G740-7374996	0702.3	G740-7375058	0106.2	G740-7375122	0304.1
G740-7374998	0702.3	G740-7375059	0106.2	G740-7375123	1800
G740-7374999	0702.3	G740-7375060	0106.2	G740-7375124	2208.1
G740-7375000	1601.3	G740-7375062	0106.2	G740-7375125	0304.5
G740-7375001	1601.3	G740-7375063	0311.3	G740-7375126	0304.5
G740-7375002	1601.3	G740-7375064	0312	G740-7375127	0304.5
G740-7375003	1601.3	G740-7375065	0202	G740-7375128	0304.5
G740-7375004	1601.3		1206	G740-7375129	0304.5
G740-7375005	1601.3	G740-7375066	1201	G740-7375130	0304.5
G740-7375006	1601.3	G740-7375067	1000	G740-7375131	0802.1
G740-7375007	1806	G740-7375068	0312	G740-7375132	0802.1
G740-7375008	1806	G740-7375069	0312	G740-7375133	0802.3
G740-7375009	1806	G740-7375071	0601.1	G740-7375134	0802.3
G740-7375010	0306		0601.3	G740-7375135	0802.3
G740-7375011	0306	G740-7375072	0106.1	G740-7375136	1104.1
G740-7375012	0306	G740-7375075	0401	G740-7375137	1311
G740-7375013	0306	G740-7375076	0401	G740-7375138	1104.1
G740-7375014	0306	G740-7375077	0401	G740-7375139	1311
G740-7375015	0306	G740-7375078	0401	G740-7375142	1311
G740-7375016	0306	G740-7375081	0800	G740-7375143	1311
G740-7375017	0306	G740-7375082	0800	G740-7375146	0610
G740-7375018	0306	G740-7375083	0800	G740-7375147	0309
G740-7375019	0306	G740-7375085	0612		0610
G740-7375020	0306	G740-7375086	0612	G740-7375148	0610
G740-7375021	0505	G740-7375087	0612	G740-7375149	1311
G740-7375022	0609.1	G740-7375088	0611	G740-7375150	0611
G740-7375023	0609.1	G740-7375089	0611	G740-7375153	2002.5
G740-7375024	0609.1	G740-7375090	0611	G740-7375155	1401
G740-7375025	0100.2	G740-7375091	0603	G740-7375157	1805
G740-7375026	0100.1	G740-7375092	0603	G740-7375158	1805
G740-7375028	0102.1	G740-7375093	0603	G740-7375159	1804.8

**ORDNANCE STOCK NUMBER INDEX--Continued**

STOCK NO.	SUBGROUP	STOCK NO.	SUBGROUP	STOCK NO.	SUBGROUP
G740-7375160	1804.3	G740-7375330	0601.1	G740-7375394	1804.3
G740-7375161	1804.3	G740-7375331	1401	G740-7375395	1808
G740-7375162	1804.1	G740-7375332	1401	G740-7375396	1804.3
G740-7375163	1808	G740-7375333	1401	G740-7375397	1804.3
G740-7375164	1808	G740-7375334	1401	G740-7375398	1804.2
G740-7375165	1808	G740-7375335	1401	G740-7375399	1808
G740-7375166	1808	G740-7375336	1401	G740-7376904	0106.6
G740-7375167	1804.1	G740-7375337	1401	G740-7376905	1806
G740-7375168	1804.1	G740-7375339	1401	G740-7376907	0106.1
G740-7375169	1808	G740-7375340	1401	G740-7410836	{0106.5
G740-7375170	1805	G740-7375341	1401		{0304.5
G740-7375171	0304.5	G740-7375342	1401	G740-7410837	1503
G740-7375172	{0106.5	G740-7375343	1401	G740-7410838	1503
	{0304.5	G740-7375344	1401	G740-7410839	2210
G740-7375174	{0601.1	G740-7375345	1401	G740-7411646	2001.3
	{0601.3	G740-7375346	1401	G740-7411677	2001.3
G740-7375175	{0601.1	G740-7375347	1401	G740-7411679	2001.3
	{0601.3	G740-7375348	1401	G740-7411681	2001.3
G740-7375176	1204.1	G740-7375349	1401	G740-7411685	2001.3
G740-7375177	1401	G740-7375350	1401	G740-7411687	2001.3
G740-7375178	1401	G740-7375351	1808	G740-7411690	{2001.3
G740-7375179	1401	G740-7375352	1808		{2002.1
G740-7375180	1401	G740-7375353	{1805	G740-7411799	2001.1
G740-7375181	1401		{1808	G740-7411800	2001.1
G740-7375182	1401	G740-7375354	1808	G740-7411801	2001.1
G740-7375183	1401	G740-7375355	1808	G740-7411802	2001.1
G740-7375188	2202	G740-7375356	1804.1	G740-7411803	2001.1
G740-7375189	2202	G740-7375357	0602	G740-7411804	2001.1
G740-7375190	2202	G740-7375358	1808	G740-7411805	2001.1
G740-7375192	1102	G740-7375359	1808	G740-7411920	2001.1
G740-7375195	1102	G740-7375360	1804.3	G740-7411921	2001.1
G740-7375196	1102	G740-7375361	1804.3	G740-7411922	2001.1
G740-7375197	1102	G740-7375362	1804.3	G740-7411923	2001.1
G740-7375300	0603	G740-7375364	1501	G740-7411924	2001.1
G740-7375301	0603	G740-7375366	0309	G740-7411925	2001.1
G740-7375302	0603	G740-7375371	{0602	G740-7411926	2001.1
G740-7375303	0603		{0604.1	G740-7411927	2001.1
G740-7375304	0603	G740-7375372	0604.1	G740-7411930	2001.1
G740-7375305	0603	G740-7375373	0604.1	G740-7411931	2001.1
G740-7375306	0603	G740-7375375	0604.1	G740-7411932	2001.1
G740-7375307	0603	G740-7375376	0604.1	G740-7411933	2001.1
G740-7375308	0603	G740-7375377	0604.1	G740-7411934	2001.1
G740-7375309	0603	G740-7375378	0604.1	G740-7411935	2001.1
G740-7375311	1804.3	G740-7375380	0302.1	G740-7411936	2001.1
G740-7375312	1804.3	G740-7375381	0302.1	G740-7411937	2001.1
G740-7375313	1804.3	G740-7375382	0302.1	G740-7411938	2001.1
G740-7375314	1808	G740-7375383	0302.1	G740-7411939	2001.1
G740-7375315	1804.3	G740-7375385	0302.1	G740-7411940	{2001.1
G740-7375316	1804.3	G740-7375386	0604.1		{2002.1
G740-7375317	1804.3	G740-7375388	{0601.1	G740-7411941	2001.1
G740-7375318	1804.3		{0601.3	G740-7411942	2001.1
G740-7375319	1804.3	G740-7375389	{0601.1	G740-7411943	2001.1
G740-7375320	1804.3		{0601.3	G740-7411944	2001.1
G740-7375321	1804.3	G740-7375390	0304.1	G740-7411945	2001.1
G740-7375322	1401	G740-7375391	0312	G740-7411950	2001.3
G740-7375323	1401	G740-7375392	0312	G740-7411952	2001.3
G740-7375324	2201	G740-7375393	1401	G740-7411953	2001.3

**ORDNANCE STOCK NUMBER INDEX—Continued**

STOCK NO.	SUBGROUP	STOCK NO.	SUBGROUP	STOCK NO.	SUBGROUP
G740-7411954	2001.5	G740-7418147	{0607	G740-7697453	1206
G740-7411955	2001.5		}1805	G740-7697454	{0202
G740-7411956	2001.5	G740-7418148	1805		}1206
G740-7411957	2001.5	G740-7418230	2210	G740-7697455	1204.3
G740-7411958	2001.5	G740-7418343	0609.1	G740-7697456	1204.3
G740-7411959	2001.5	G740-7418481	0612	G740-7697457	1204.3
G740-7411961	2002.1	G740-7418482	0612	G740-7697459	1204.3
G740-7411962	2002.1	G740-7418483	0612	G740-7697460	{1204.3
G740-7411963	2002.1				}1206
G740-7411964	2002.1	G740-7418835	0607	G740-7697461	1204.3
G740-7411965	2002.1	G740-7524909	0610	G740-7697462	1204.3
G740-7411966	2002.1	G740-7527480	2208.1	G740-7697463	1202
G740-7411967	2002.1	G740-7527483	2208.1	G740-7697464	1202
G740-7411970	2002.1	G740-7528173	0605	G740-7697465	1204.1
G740-7411971	2002.1	G740-7528174	0605	G740-7697467	0802.7
G740-7411972	2002.1	G740-7539310	1204.1	G740-7697468	0802.7
G740-7411973	2002.5	G740-7697412	2201	G740-7697470	0804
G740-7411974	2002.5	G740-7697413	2201	G740-7697471	0700
G740-7411975	2002.5	G740-7697414	2201	G740-7697472	1204.1
G740-7411976	2002.5	G740-7697415	2201	G740-7697473	1204.1
G740-7411977	2002.5	G740-7697416	2201	G740-7697476	1204.1
G740-7411979	2002.5	G740-7697418	2201	G740-7697477	1204.1
G740-7411980	2002.5	G740-7697419	0702.5	G740-7697478	1204.1
G740-7411981	2002.5	G740-7697420	0702.5	G740-7697479	1204.1
G740-7411982	2002.5	G740-7697421	0702.5	G740-7697480	1703
G740-7411983	2002.5	G740-7697422	0702.5	G740-7697481	1703
G740-7412437	0601.1	G740-7697423	0702.5	G740-7697482	1703
G740-7412439	0604.1	G740-7697424	0702.5	G740-7697483	1703
G740-7412441	0611	G740-7697425	0702.5	G740-7697484	1703
G740-7412442	0611	G740-7697427	0702.5	G740-7697487	1703
G740-7412445	1401	G740-7697428	0702.5	G740-7697488	1503
G740-7412446	1401	G740-7697429	0702.5	G740-7697489	1503
G740-7412447	1401	G740-7697430	1201	G740-7697490	1503
G740-7412576	1401	G740-7697431	1201	G740-7697493	1701
G740-7412577	1401	G740-7697432	1201	G740-7697494	1701
G740-7412578	1401	G740-7697433	1201	G740-7697495	1701
G740-7412579	1401	G740-7697434	1201	G740-7697496	1701
G740-7412580	1401	G740-7697435	1201	G740-7697497	1804.1
G740-7412582	2210	G740-7697436	1504	G740-7697498	1806
G740-7412583	2210	G740-7697437	1504	G740-7697499	1806
G740-7412584	2210	G740-7697438	{1504	G740-7697500	1806
G740-7412585	2210		}1808	G740-7697501	1806
G740-7412641	0607	G740-7697439	1504	G740-7697502	1806
G740-7412643	0613.1		{0612	G740-7697503	1806
G740-7412945	1204.3	G740-7697440	1804.3	G740-7697504	1806
G740-7412959	0301		}1806	G740-7697505	1806
G740-7412960	0604.1		{2201	G740-7697506	1806
G740-7415847	1804.3	G740-7697441	1504	G740-7697507	1806
G740-7416477	0306	G740-7697442	1604.1	G740-7697508	1806
	{0106.1	G740-7697443	1604.1	G740-7697509	1806
G740-7416478	{0302.1	G740-7697445	1803.1	G740-7697510	1806
	}1204.1	G740-7697446	{1803.1	G740-7697511	1503
			}2101	G740-7697512	1503
G740-7416521	0608	G740-7697447	1803.1	G740-7697513	1801
G740-7416527	1401	G740-7697448	1803.1	G740-7697514	1801
G740-7418139	1204.1	G740-7697449	1803.1	G740-7697515	{0704
G740-7418140	1204.1	G740-7697451	1206		}1805
G740-7418146	1204.5	G740-7697452	1206		



**ORDNANCE STOCK NUMBER INDEX—Continued**

STOCK NO.	SUBGROUP	STOCK NO.	SUBGROUP	STOCK NO.	SUBGROUP
G740-7697516	1805	G740-7697572	0702.1	G740-8328133	0603
G740-7697517	1805	G740-7697573	1501	G740-8328134	0603
G740-7697518	1805	G740-7697574	1501	G740-8328135	0603
G740-7697519	1805	G740-7697575	1204.1	G740-8328136	0603
G740-7697520	1805	G740-7697577	1805	G740-8328138	0401
G740-7697521	1805	G740-7697578	1805	G740-8328139	0603
G240-7697522	1805	G740-7697579	1805	G740-8328140	0603
G740-7697523	1805	G740-7697581	1805	G740-8328141	0603
G740-7697524	1805	G740-7697582	1805	G740-8328142	2210
G740-7697525	1805	G740-7697588	0503	G740-8328143	2210
G740-7697526	1805	G740-7697589	0503	G740-8328144	0603
G740-7697527	1805	G740-7697592	{ 1803.1	G740-8328262	0612
G740-7697528	1805	G740-7697593	} 2101	G740-8328263	0612
G740-7697529	1805	G740-7697594	2201	G740-8328264	1503
G740-7697530	1805	G740-7697595	1808	G740-8328265	0201
G740-7697532	1806	G740-7697596	2201	G740-8328265	0201
G740-7697533	1806		{ 1601.1	G740-8328310	0103
G740-7697534	1806	G740-7697597	} 1601.3	G740-8328311	0103
G740-7697535	1806		{ 1601.1	G740-8328312	0103
G740-7697536	1806	G740-7697598	} 1601.3	G740-8328313	0103
G740-7697537	1806		{ 1601.1	G740-8329527	0302.1
G740-7697538	1806	G740-7697599	} 1601.3	G740-8329889	2002.5
G740-7697539	1806	G740-7697600	1601.1	G740-8329890	2001.3
G740-7697540	1804.3	G740-7697601	1601.1	G740-8330132	0302.1
G740-7697541	1804.3	G740-7697602	1601.1	G740-8330745	0104.2
G740-7697542	1804.3		} 1601.3	G740-8330746	0104.2
G740-7697543	1804.3	G740-7697603	1601.1	G740-8330747	0104.2
G740-7697544	1804.3	G740-7697604	1601.1	G740-8330748	0104.2
G740-7697546	0702.5	G740-7697606	1002	G740-8331015	0613.1
G740-7697547	0702.5	G740-7697608	0900	G740-8332072	0202
	{ 1701	G740-7697609	0900	G740-8332075	1311
G740-7697548	1804.2	G740-7697610	0900	G740-8376244	0702.3
	{ 1805	G740-7697611	0900	G741-5214758	0302.1
	2101	G740-7697612	0900	G741-5346762	0603
	0612	G740-7697613	0900	G741-6170220	0302.1
G740-7697551	{ 0613.1	G740-7697614	0505	G741-7010695	0302.1
	2208.1	G740-7705721	0201	G741-7037062	0311.1
G740-7697552	2208.1	G740-7731429	0617	G741-7053669	0311.3
G740-7697553	2208.1	G740-7760417	0603	G741-7097359	0311.1
G740-7697554	2210	G740-7762616	0603	G741-7346969	0604.1
G740-7697555	2210	G740-7994190	2001.3	G741-7347547	0604.1
G740-7697556	2210	G740-7994194	2001.3	G741-7347560	0602
G740-7697557	2210	G740-8328043	0100.2	G741-7347568	0603
G740-7697558	2210	G740-8328044	0100.2	G741-7347571	0603
G740-7697559	2210	G740-8328045	0103	G741-7347572	0603
G740-7697560	2210	G740-8328046	0103	G741-7348949	0602
G740-7697561	2210	G740-8328047	0103	G741-7351052	0704
G740-7697562	2210	G740-8328048	0103	G741-7351133	0604.1
G740-7697563	2210	G740-8328049	0103	G741-7355736	0601.3
G740-7697564	0702.1	G740-8328066	0603	G741-7369888	0603
G740-7697565	0701	G740-8328125	0103	G741-7369889	0603
G740-7697566	0702.1	G740-8328126	0105.1	G741-7374746	0601.1
G740-7697567	0702.1	G740-8328127	0201	G741-7374748	0601.1
G740-7697568	0702.1	G740-8328129	0202	G741-7374749	0601.1
G740-7697569	0702.1	G740-8328130	0202	G741-7374750	0601.1
G740-7697570	0702.1	G740-8328132	0603	G741-7374822	0602
G740-7697571	0702.1			G741-7374823	0602
				G741-7374825	0602

**ORDNANCE STOCK NUMBER INDEX—Continued**

STOCK NO.	SUBGROUP	STOCK NO.	SUBGROUP	STOCK NO.	SUBGROUP
G741-7374842	0311.3	G741-7526592	0607	G742-7538754	0601.3
G741-7374851	0601.1	G741-7526593	0607	G742-7538756	0601.3
G741-7374852	0601.1	G741-7526594	0607	G742-7538757	0601.3
G741-7374853	0601.1	G741-7526595	0607	G742-7538759	0601.3
G741-7374854	0601.1	G741-7526596	0607	G742-7538760	0601.3
G741-7374855	0601.1	G741-7526600	0607	G742-7538761	0601.3
G741-7374856	0601.1	G741-7528195	0615	G742-7538762	0601.3
G741-7374857	0601.1	G741-7722352	0613.1	G742-7538763	0601.3
G741-7374858	0601.1	G741-7760504	0609.1	G742-7538764	0601.3
G741-7374859	0601.1	G741-8327721	0601.1	G742-7538765	0601.3
G741-7374860	0601.1	G741-8328056	0603	G742-7538766	0601.3
G741-7374861	0601.1	G741-8328057	0603	G742-7538767	0601.3
G741-7374862	0601.1	G741-8328058	0603	G742-7538772	0601.3
G741-7374863	0601.1	G741-8328061	0603	G742-7538777	0601.3
G741-7374865	0601.3	G741-8328062	0603	G742-7538778	0601.3
G741-7374866	0601.3	G741-8328063	0603	G742-7538783	0601.3
G741-7374877	0604.1	G741-8328064	0603	G742-7538784	0601.3
G741-7374878	0604.1	G741-8328065	0603	G742-7538785	0601.3
G741-7374881	0604.1	G741-8328067	0603	G742-7538786	0601.3
G741-7374882	0605	G741-8328069	0603	G742-7538787	0601.3
G741-7374885	0604.1	G741-8328071	0603	G742-7539073	{ 0309
G741-7374886	0601.1	G741-8328076	0604.1		{ 0610
G741-7374887	0604.1	G741-8332226	0601.1	G742-7539118	0306
G741-7374888	0604.1	G741-8333799	0601.3	G742-7539125	0302.1
G741-7374890	0604.1	G742-5167516	0802.7	G742-7539396	0607
G741-7374893	0604.1	G742-5245630	0311.1	G742-7539500	0613.1
G741-7374894	0604.1	G742-5307550	0900	G742-7539516	0607
G741-7374895	0604.1	G742-5701238	0601.3	G742-7539517	0607
G741-7374896	0604.1	G742-7355600	0607	G742-7539519	0607
G741-7374917	0602	G742-7372727	0607	G742-7539529	0601.3
G741-7374918	0602	G742-7372738	0607	G742-7539618	0602
G741-7374919	0602	G742-7372750	0607	G742-7539688	2208.1
G741-7374920	0602	G742-7372752	{ 0106.5	G742-7539689	2208.1
G741-7374921	0602		{ 0304.5	G742-7716690	{ 0601.1
G741-7374922	0602	G742-7373350	0601.3		{ 0601.3
G741-7374923	0602	G742-7373354	1204.1	G742-7720497	0613.1
G741-7374924	0602	G742-7384388	0607	G742-7728341	0611
G741-7374925	0602	G742-7384389	0607	G742-7728788	0608
G741-7374930	0603	G742-7384392	0607	G742-7728852	0607
G741-7374938	0603	G742-7388352	0607	G742-7728853	0607
G741-7374940	0603	G742-7388813	0608	G742-7728854	0607
G741-7374943	0602	G742-7389566	0610	G742-7728855	0607
G741-7374944	0602	G742-7389567	0607	G742-7728856	0610
G741-7374945	0602	G742-7391017	0601.3	G742-7729686	0607
G741-7374960	0602	G742-7391018	0601.3	G742-7730893	0613.1
G741-7374961	0602	G742-7524564	0613.1	G742-7731421	0613.1
G741-7374962	0602	G742-7525365	0609.1	G742-7731435	0613.1
G741-7374964	0602	G742-7525936	0609.1	G742-7760396	2208.1
G741-7374965	0602	G742-7525937	0609.1	G742-7760409	0607
G741-7413199	0302.1	G742-7525940	0609.1	G742-7760412	0607
G741-7413315	0601.3	G742-7526023	0609.1	G742-7760414	0608
G741-7413317	0601.3	G742-7526591	0607	G742-7760416	0608
G741-7413318	0601.3	G742-7538749	0601.3	G742-7760418	0607
G741-7413319	0601.3	G742-7538750	0601.3	G742-7760503	0609.1
G741-7524309	0602	G742-7538751	0601.3	G742-7762620	0607
G741-7524474	0601.3	G742-7538753	0601.3	G744-7355830	2208.1
G741-7524953	0617			G744-7375694	0609.1

**ORDNANCE STOCK NUMBER INDEX—Continued**

STOCK NO.	SUBGROUP	STOCK NO.	SUBGROUP	STOCK NO.	SUBGROUP
G744-7389881	2208.1	G758-8328455	0503	G758-8329984	1808
G744-7409316	1204.1	G758-8328479	0802.7	G758-8329989	1504
G744-7411069	1204.1	G758-8328480	2208.1	G758-8329994	0704
G744-7712833	0609.1	G758-8328481	2208.1	G758-8330271	0106.2
G747-7328291	1311	G758-8328483	0103	G758-8331246	0106.1
G747-7328292	1311	G758-8328484	0103	G758-8331378	0612
G747-7328371	1311	G758-8328488	1806	G758-8331399	0311.1
G747-7328375	1311	G758-8328495	0900	G758-8331450	0311.3
G747-7328376	1311	G758-8328497	0900	G758-8331451	0311.3
G747-7355938	0617	G758-8328498	0900	G758-8331452	0311.3
G749-5294507	0609.1	G758-8328499	0900	G758-8331831	2101
G749-7039934	0106.2	G758-8329605	0604.1	G758-8331874	1204.1
G749-7368702	0607	G758-8329638	0304.5	G758-8331932	0106.6
G749-7410563	0311.1	G758-8329674	0802.5	G758-8331932	0106.6
G749-7410623	2202	G758-8329675	0101	G758-8332058	1101
G749-7526002	0609.1	G758-8329700	0900	G758-8332078	0602
G752-7524649	0611	G758-8329702	0302.1	G758-8332474	1401
G758-7355819	0613.1	G758-8329706	0302.1	G758-8332475	1401
G758-7358569	0604.1	G758-8329708	0302.1	G758-8332476	1401
G758-7994148	2002.1	G758-8329732	1311	G758-8332476	1401
G758-8328005	1102	G758-8329733	1805	G758-8332514	2001.3
G758-8328397	1004	G758-8329740	0603	G758-8332522	0601.1
G758-8328398	1004	G758-8329741	1401	G758-8332534	0302.1
G758-8328413	0106.6	G758-8329742	1401	G758-8332535	0302.1
G758-8328422	0106.2	G758-8329743	1401	G758-8332553	1401
G758-8328436	{ 0202	G758-8329744	1401	G758-8332679	0103
	{ 1206	G758-8329746	1401	G758-8333061	0900
G758-8328439	0202	G758-8329747	1401	G758-8365411	0613.1
G758-8328440	0802.5	G758-8329748	1401	G780-7418111	0104.1
G758-8328442	1204.3	G758-8329784	0604.1	G780-7418112	0104.1
G758-8328443	1204.3	G758-8329785	0604.1	G780-7418113	0104.1
G758-8328444	1204.3	G758-8329786	0604.1	G780-7418114	0104.1
G758-8328445	1204.3	G758-8329787	0604.1	G780-7418115	0104.1
G758-8328446	1501	G758-8329850	1101	G803-7324841	0201
G758-8328448	1503	G758-8329853	0701	1500-61-207	0301
				9240-FC6010	1204.1

## FEDERAL STOCK NUMBER INDEX

This index which includes the 11-digit Federal Stock Number and the 7-digit Federal Item Identification Number is prepared in strict numerical sequence.

STOCK NO.	SUBGROUP	STOCK NO.	SUBGROUP	STOCK NO.	SUBGROUP
248-8650	0601.3	772-3309	{0613.1	2510-769-7482	1703
249-8283	0601.3		}0617	2510-769-7483	1703
350-0843	0604.1	772-3899	0609.1	2510-769-7484	1703
350-2383	0302.1	772-6895	0613.1	2510-769-7487	1703
521-4761	0302.1	772-9786	0609.1	2510-769-7489	1503
524-6558	0202	772-9787	0609.1	2510-769-7494	1701
531-2057	0301	772-9788	0609.1	2510-769-7496	1701
534-6738	0301	772-9789	0609.1	2510-769-7498	1806
534-6760	0603	772-9793	0609.1	2510-769-7509	1806
570-1238	0601.3	772-9797	0609.1	2510-769-7510	1806
703-7062	0311.1	772-9802	0609.1	2510-769-7510	1806
705-3669	0311.3	773-1428	0613.1	2510-769-7522	1805
707-3209	1503	773-1429	0617	2510-769-7524	1805
709-7384	0311.1	774-1406	0105.5	2510-769-7529	1805
726-1674	0613.1	774-1407	0105.3	2510-769-7548	1701
734-3368	0301	774-1412	0101	2510-769-7578	1805
736-2371	1204.1	774-1414	0105.5	2510-769-7579	1805
737-1503	0102.2	774-1415	0105.5	2510-769-7599	1601.1
737-2727	0607	774-1418	0105.3	2510-769-7870	1501
737-2738	0607	774-1420	0105.1	2510-772-9796	0609.1
737-2752	0106.5	774-1421	0105.1	2510-773-5833	{1601.1
737-4882	0605	774-1427	0105.5		}1601.3
738-4388	0607	774-3569	0105.2	2510-776-2687	{0613.1
752-5936	0609.1	774-4319	0105.3		}0617
752-5940	0609.1	774-4320	0105.3	2510-776-2751	{0613.1
752-6591	0607	774-4324	0106.1		}0617
752-6940	0605	774-4331	0106.1	2520-495-7068	1002
752-6949	0605	774-4471	0104.2	2520-495-7112	1002
752-6951	0605	774-4472	0104.2	2520-495-9524	0802.5
752-6961	0605	776-0412	0607	2520-495-9554	0103
752-6970	0605	776-0418	0607	2520-524-6557	0202
753-8753	0601.3	776-0503	0609.1	2520-703-2626	1006
753-8754	0601.3		{0607	2520-706-5900	0704
753-8756	0601.3	776-0598	}0609.1	2520-734-6728	1101
753-8757	0601.3		{0613.1	2520-734-8600	0900
753-8759	0601.3		}0617	2520-734-8602	1001
753-8760	0601.3	776-2605	{0613.1	2520-734-8759	1006
753-8767	0601.3		}0617	2520-736-8260	0202
753-8783	0601.3	2510-737-1056	1501	2520-736-9850	0801
753-8785	0601.3	2510-737-1090	1601.1	2520-737-1035	0802.7
753-8787	0601.3	2510-737-2818	2101	2520-737-1209	0802.7
753-9073	0610	2510-737-2898	2201	2520-737-1373	0802.7
753-9310	1204.1	2510-737-5002	1601.3	2520-737-2670	1806
753-9519	0607	2510-737-5160	1804.3	2520-737-2842	1001
753-9688	2208.1	2510-737-5164	1808	2520-737-3158	0802.7
753-9689	2208.1	2510-737-5165	1808	2520-737-3160	0802.7
770-2608	0602	2510-737-5314	1808	2520-737-5052	0801
	{0601.1	2510-737-5318	1804.3	2520-737-5083	0800
771-6562	{0601.3	2510-737-5352	1808	2520-741-1681	2001.3
	}0602	2510-737-5359	1808	2520-741-1925	2001.1
771-6884	0613.1	2510-737-5361	1804.3	2520-741-1952	2001.3
772-2323	0613.1	2510-737-5397	1804.3	2520-769-6494	0802.5
772-3306	0613.1	2510-741-8148	1805	2520-769-7420	0702.5
772-3308	0613.1	2510-769-7445	1803.1	2520-769-7434	1201
				2520-769-7417	0700

FEDERAL STOCK NUMBER INDEX—Continued

STOCK NO.	SUBGROUP	STOCK NO.	SUBGROUP	STOCK NO.	SUBGROUP
2520-769-7515	1805	2805-495-9608	0102.2	2920-776-2684	0604.1
2520-769-7519	1805	2805-495-9610	0102.2	2930-354-3742	0503
2520-769-7565	0701	2805-495-9611	0102.2	2930-737-2801	0501
2520-769-7606	1002	2805-737-2544	0100.2	2930-737-2804	0501
2520-769-7611	0900	2805-737-2550	0100.2	2930-737-2806	0504
2530-352-1914	1202	2805-737-2551	0100.2	2930-737-5021	0505
2530-359-0456	1204.1	2805-737-2554	0106.5	2940-704-7962	0304.1
2530-359-0880	1204.1		0304.5	2940-736-9881	0106.2
2530-368-4866	1204.5	2805-737-2567	0102.2	2940-737-5962	0106.2
2530-378-7735	1204.1	2805-737-2568	0102.2	2940-752-9093	0106.2
2530-562-7204	1202	2805-737-2569	0102.2	2990-737-1047	0401
2530-706-5901	1601.1	2805-737-5029	0103	2990-737-5075	0401
	1601.3	2805-737-5071	0601.1	2990-737-5077	0401
2530-735-0298	1401		0601.3	2990-737-5078	0401
2530-737-1010	1201	2805-774-1419	0105.5	3110-530-7550	0900
2530-737-1018	1201	2805-774-4333	0106.1	3120-424-3315	0603
2530-737-5049	1004	2910-360-8044	0302.1	3120-741-1802	2001.1
2530-737-5322	1401	2910-700-1906	0302.1	3120-741-1803	2001.1
2530-737-5333	1401	2910-701-6403	0302.1	3120-769-7596	1601.1
2530-737-5334	1401	2910-735-1316	0309	3120-769-7597	1601.1
2530-737-5340	1401	2910-737-2509	0301		1601.3
2530-737-5343	1401	2910-737-2881	2101	3120-769-7598	1601.3
2530-740-9316	1204.1	2910-737-5017	0306	4730-360-8282	0304.1
2530-741-2578	1401	2910-737-5018	0306	4730-735-1377	0304.5
2530-741-6527	1401	2910-737-5038	0306	4730-737-4854	0601.1
2530-754-0096	1006	2910-737-5111	0312	5305-360-7988	0201
2530-769-6479	0802.7	2910-737-5366	0309	5305-360-8319	0601.1
2530-769-6749	0802.5	2910-737-5383	0302.1		0601.3
2530-769-7452	1206	2920-353-7206	0604.1	5305-361-7911	0304.1
2530-769-7455	1204.3	2920-358-6304	0601.3	5305-456-6211	1004
2530-769-7526	1805	2920-358-8182	0604.1	5305-530-7299	0900
2530-770-1326	0501	2920-362-2995	0604.1	5305-734-8605	1004
2530-833-2534	0302.1	2920-362-3284	0602	5305-737-1054	1601.1
2530-833-2535	0302.1	2920-364-5974	0603	5305-737-1055	1601.3
2540-360-7962	0106.2	2920-366-6480	0604.1	5305-737-1057	1601.1
2540-495-9499	0202	2920-423-4553	0604.1	5305-737-1081	1601.1
2540-735-1374	0304.5	2920-495-9598	0304.1	5305-737-1759	0800
2540-737-2825	0202	2920-734-8580	0603	5305-737-1859	1201
2540-737-5113	0312	2920-735-5596	0604.1	5305-737-2885	1703
2540-737-5115	0312	2920-737-4748	0601.1	5305-737-2886	1701
2540-737-5116	0312	2920-737-4749	0601.1	5305-737-3177	1201
2540-737-5127	0304.5	2920-737-4823	0602	5305-737-5005	1601.3
2540-737-5189	2202	2920-737-4862	0601.1	5305-737-5006	1601.3
2540-737-5351	1808	2920-737-4917	0602	5305-737-5174	0601.1
2540-737-5353	1808	2920-737-4923	0602	5305-737-5309	0603
2540-737-5391	0312	2920-737-4925	0602	5305-737-5319	1804.3
2540-737-5392	0312	2920-737-5102	0603	5305-769-7438	1808
2540-741-0837	1503	2920-737-5105	0603		0612
2540-769-7443	1604.1	2920-737-5108	0603	5305-769-7440	1804.3
2540-769-7500	1806	2920-737-5109	0603		1806
2540-769-7523	1805	2920-737-5305	0603		2201
2540-769-7554	2210	2920-737-5372	0604.1	5305-769-7448	1803.1
2805-354-3789	0102.2	2920-737-5388	0601.1	5305-769-7465	1204.1
2805-354-3790	0102.2		0601.3	5305-769-7532	1806
2805-495-9519	0106.6	2920-752-8195	0615	5305-769-7575	1204.1
2805-495-9558	0106.6	2920-776-0417	0603	5310-360-7707	0302.1
2805-495-9607	0102.2	2920-776-2616	0603	5310-368-4943	0601.3

FEDERAL STOCK NUMBER INDEX—Continued

STOCK NO.	SUBGROUP	STOCK NO.	SUBGROUP	STOCK NO.	SUBGROUP
5310-456-6298	{ 0202	5310-769-6485	1401	5340-741-8140	1204.1
	} 1206	5310-769-7449	1803.1	5340-769-7551	{ 0612
5310-495-9542	{ 1601.1	5315-213-8995	0106.1		} 0613.1
	} 1601.3	5315-717-5112	0312	5340-769-7571	0702.1
5310-703-2605	0304.5	5315-732-6118	0202	5910-256-9728	0601.3
5310-703-2607	0304.5	5315-734-8763	1006	5910-358-6842	0604.1
5310-705-8965	2202	5330-362-1413	0604.1	5930-776-2750	0617
5310-732-4834	1204.1	5330-530-8281	0106.2	5935-737-5300	0603
5310-732-4835	0312	5330-737-5098	0603	5935-773-1428	0617
5310-734-7568	0603	5330-737-5099	0603	5935-776-2750	0613.1
5310-734-7571	0603	5330-737-5175	0601.1	5940-734-3086	0613.1
5310-736-9879	0106.2	5330-737-5307	0603	5970-362-3272	0602
5310-737-1762	1201	5330-741-2437	0601.1	5970-705-6639	0612
5310-737-2590	0106.2	5330-741-3199	0302.1	5975-737-4852	0601.1
5310-737-2591	0106.2	5340-263-4539	0105.1	5975-737-5094	0603
5310-737-2868	1002	5340-263-5171	1204.3	5980-770-0819	0311.1
5310-737-5147	{ 0309	5340-350-6003	0302.1	6105-737-5091	0603
	} 0610	5340-360-7579	0704	6115-737-4750	0601.1
5310-737-7756	1201	5340-704-7998	{ 0304.5	6115-753-8762	0601.3
5310-741-3319	0601.3		} 1201	6115-753-8763	0601.3
5310-753-8772	0601.3	5340-737-1363	0202	6140-361-7444	0615
5310-753-9073	0309	5340-737-2833	1204.5	6140-741-8481	0612
5310-753-9529	0601.3	5340-737-5347	1401	6220-776-0504	0609.1
5310-769-6464	0802.7	5340-737-7757	1201	6680-752-8714	0605

BY ORDER OF THE SECRETARY OF THE ARMY:

MAXWELL D. TAYLOR,  
General, United States Army,  
Chief of Staff.

OFFICIAL:

JOHN A. KLEIN,  
Major General, United States Army,  
The Adjutant General.

DISTRIBUTION:

*Active Army:*

CNGB (1)  
Tec Svc, DA (1)  
Ord Bd (2)  
Hq, CONARC (3)  
Army AA Comd (2)  
OS Maj Comd (5)  
OS Base Comd (2)  
Log Comd (3)  
MDW (1)  
Armies (3)  
Corps (2)  
Div (2)  
Ord Gp (2)  
Ord Bn (2)  
Ord Co (2)  
Ft & Cp (2)  
Gen & Br Svc Sch (2) except  
Ord Sch (50)  
PMST Ord ROTC units (1)  
Gen Depots (2) except Atlanta  
Gen Depots (None)  
Ord Sec, Gen Depots (5)  
Ord Depots (10)  
POE (2)

OS Sup Agencies (1)  
ORD PG (10)  
Ord Arsenals (5)  
Mil Dist (1) except Ariz  
Mil Dist (2)  
Ord Proc Dist (10)  
MAAG (1)  
Mil Msn (1)  
Units organized under following TOE's:  
9-12R, Hq & Hq Co, Maint & Sup Co Ammo  
(1)  
9-17R, Ammo Co, Army (1)  
9-45R, Sp Wpn Spt or Depot Bn (1)  
9-46R, Hq & Hq Det, Sp Wpns Spt or Depot  
Bn (1)  
9-47R, Sp Wpns Spt or Depot Co (1)  
9-49R, Sp Wpns Dir Spt Co (1)  
9-57R, Fld Sup Co (1)  
9-229R, ORD GM Dir Spt Co (1)  
9-347R, Ord Tire Rebuild Co (1)  
9-367R, Sup Depot Co (1)  
9-387R, Ammo Depot Co (1)

NG: State AG (6); Units—same as Active Army except allowance is one copy to each unit.

USAR: None. produced by Military Media Inc., copyright 1999  
For explanation of abbreviations used, see SR 820-50-1.